

# BOOK PROP

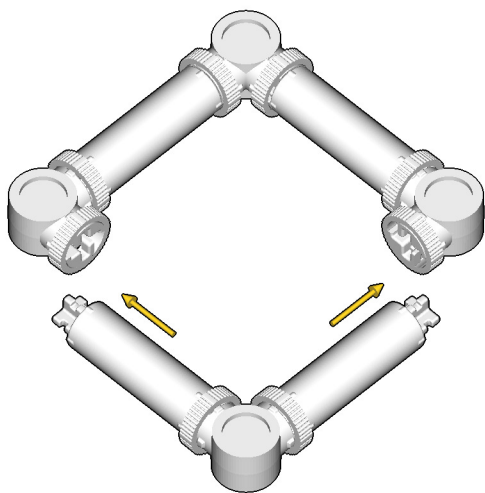
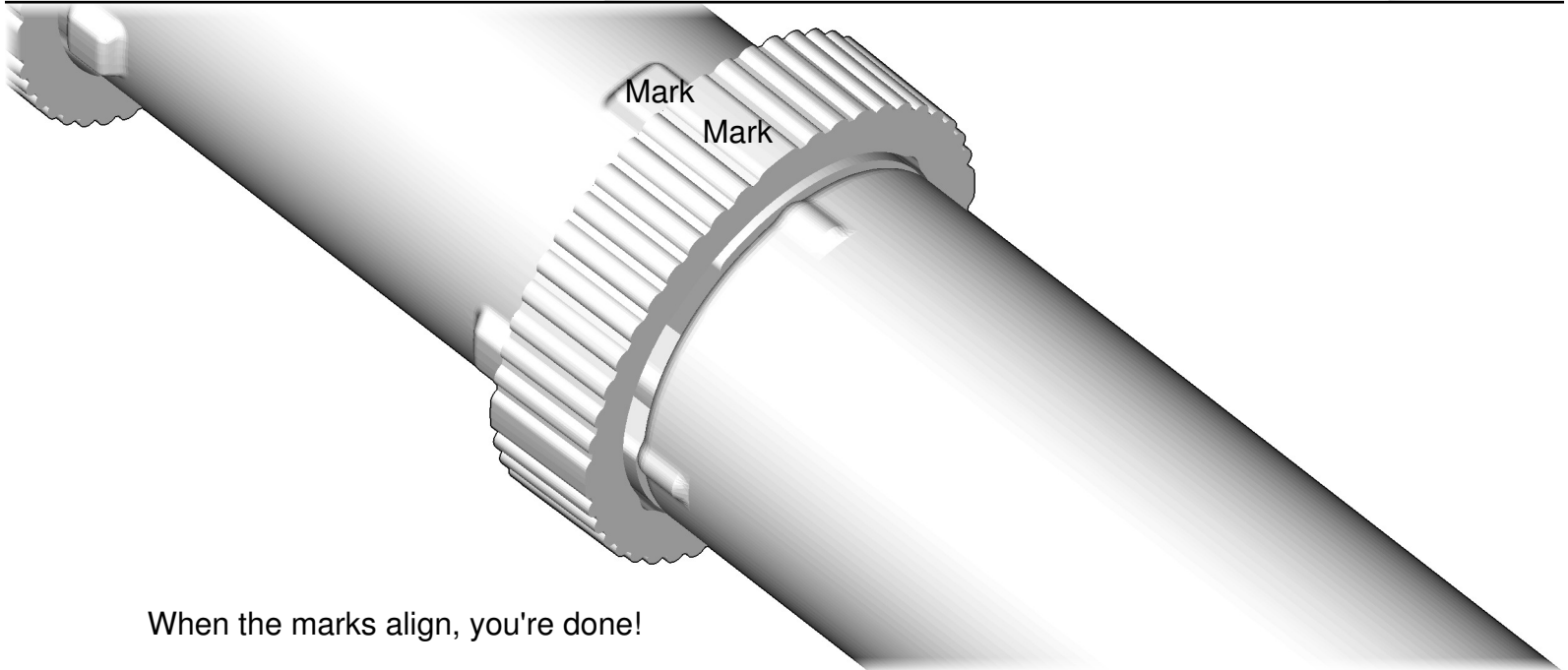
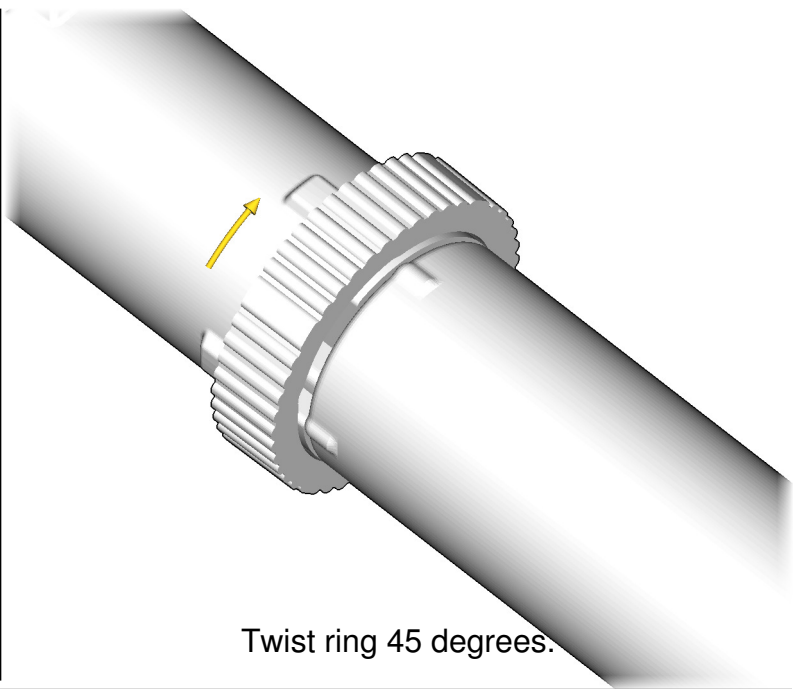
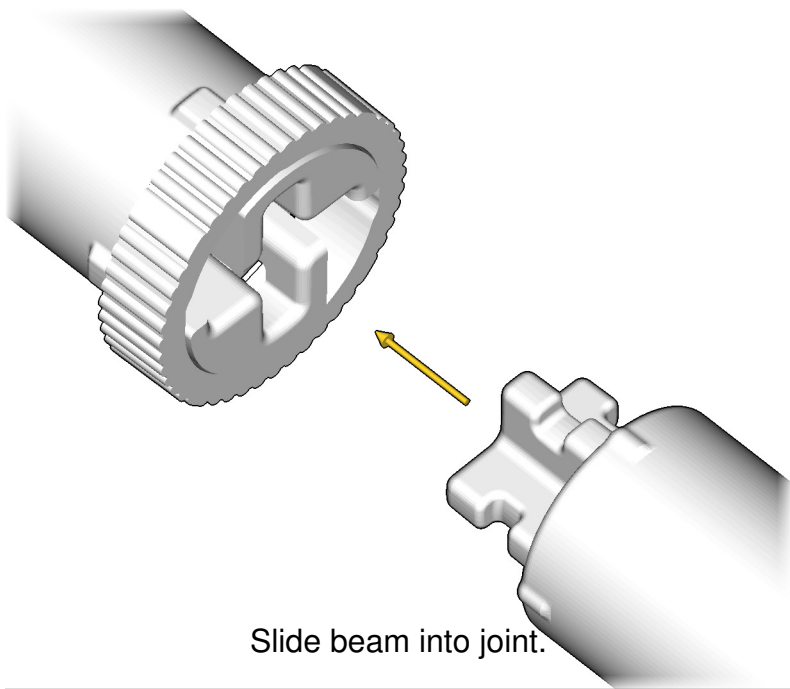
SIZE  
0.7ft x 0.7ft x 0.6ft

PIECES  
116

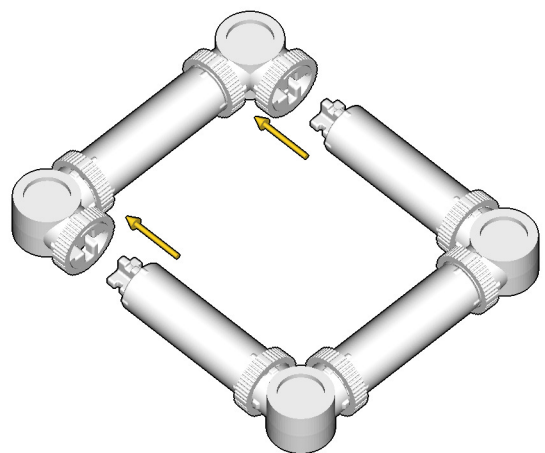
DESIGNER  
Charles Sharman

MADE IN  
U.S.A.

⚠ WARNING: Small parts. Age 12+. Handle responsibly. U.S. Patent 9,086,087.

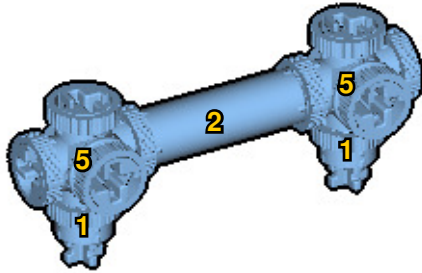


Wrong  
Connecting/Disconnecting Two Directions



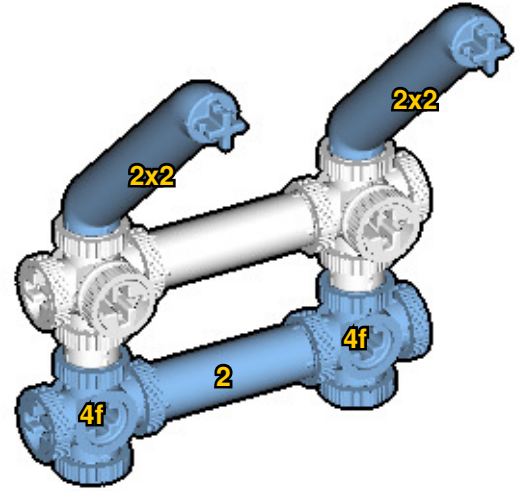
Right  
Connecting/Disconnecting One Direction

1



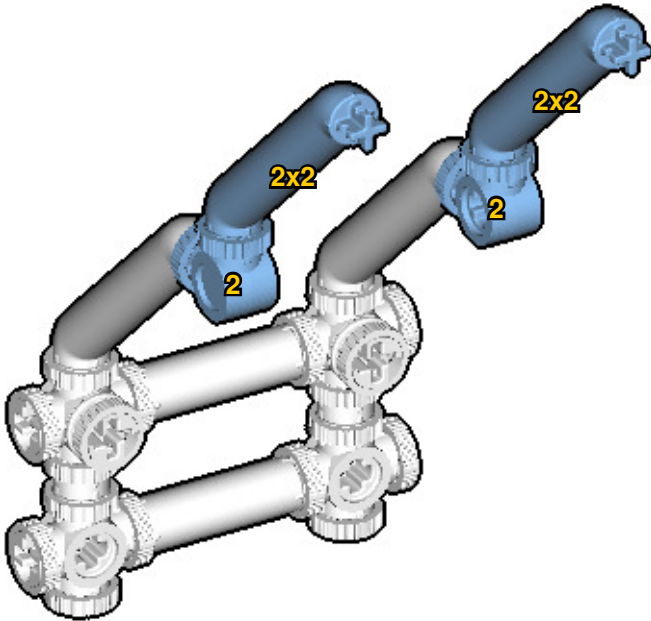
New pieces are drawn blue. Old pieces are drawn white.  
See back for piece names.

2

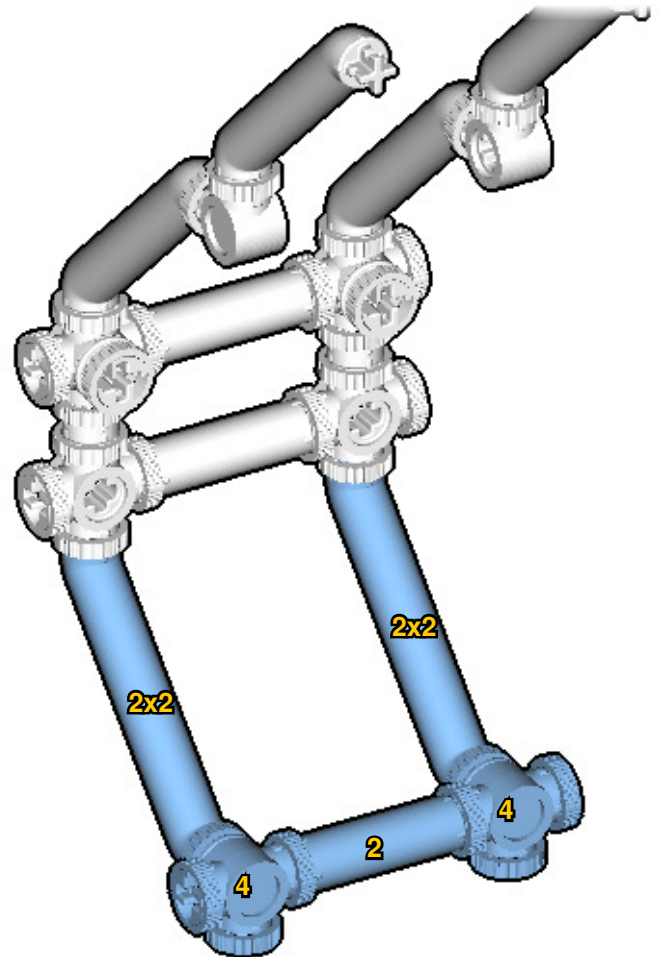


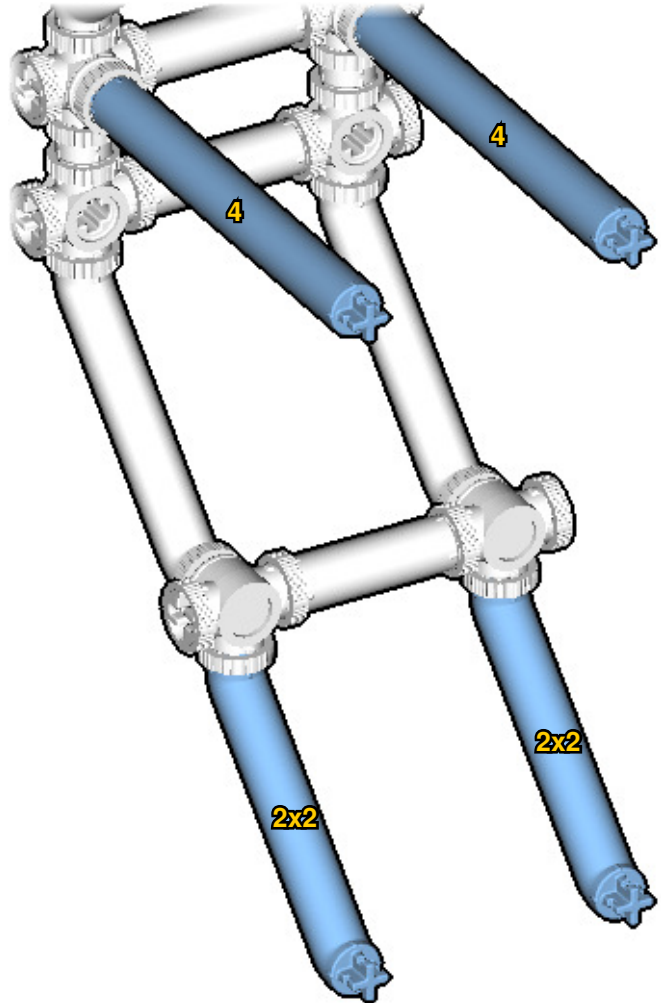
Connect new pieces together before connecting to old pieces.

3



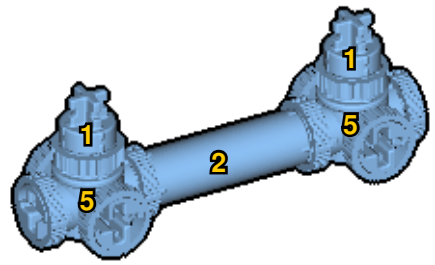
4



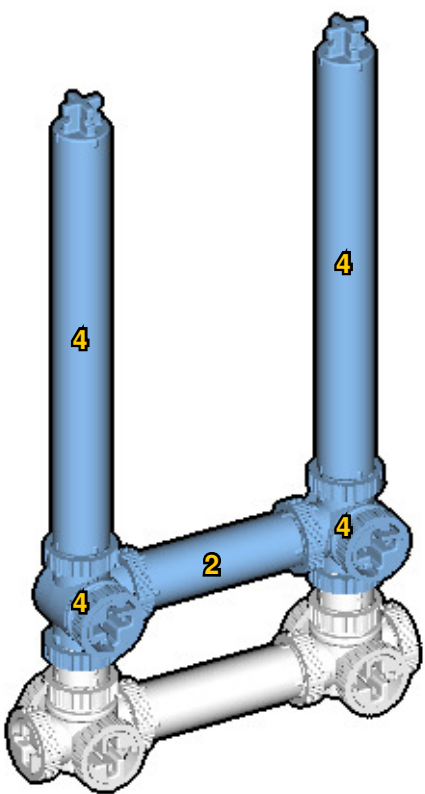


5

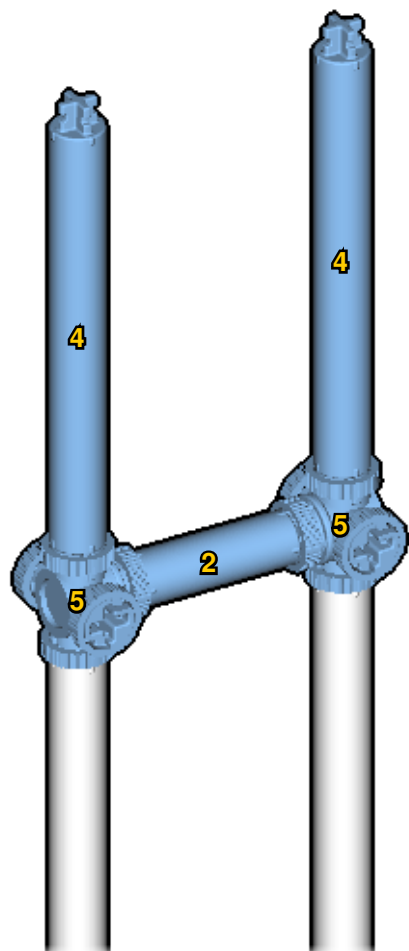
Submodel begins → 6



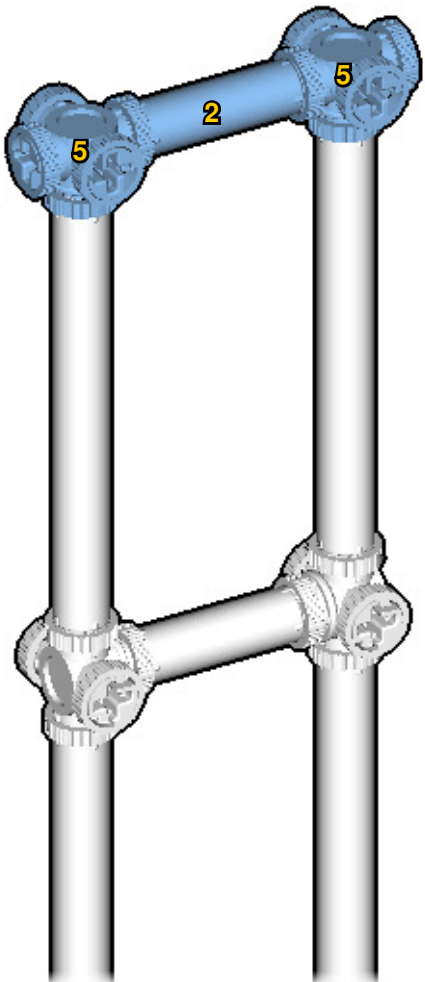
7



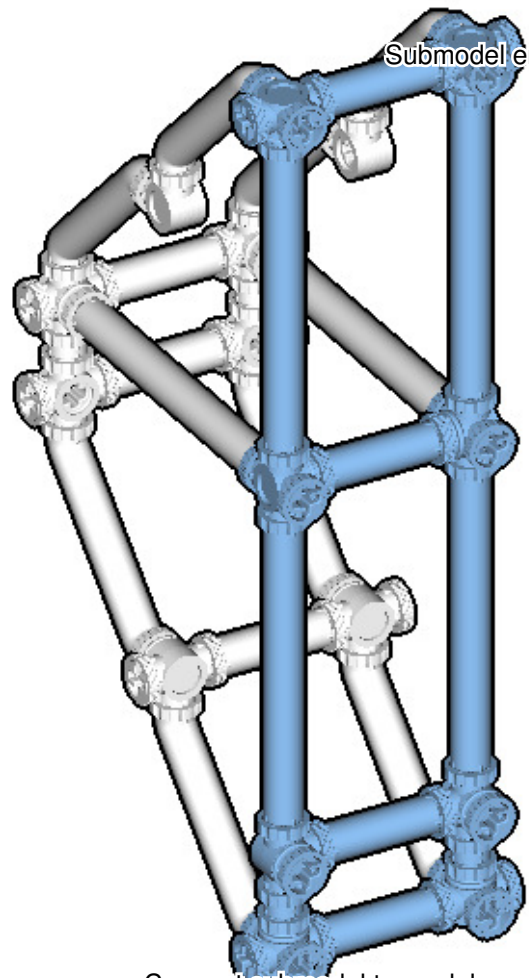
8





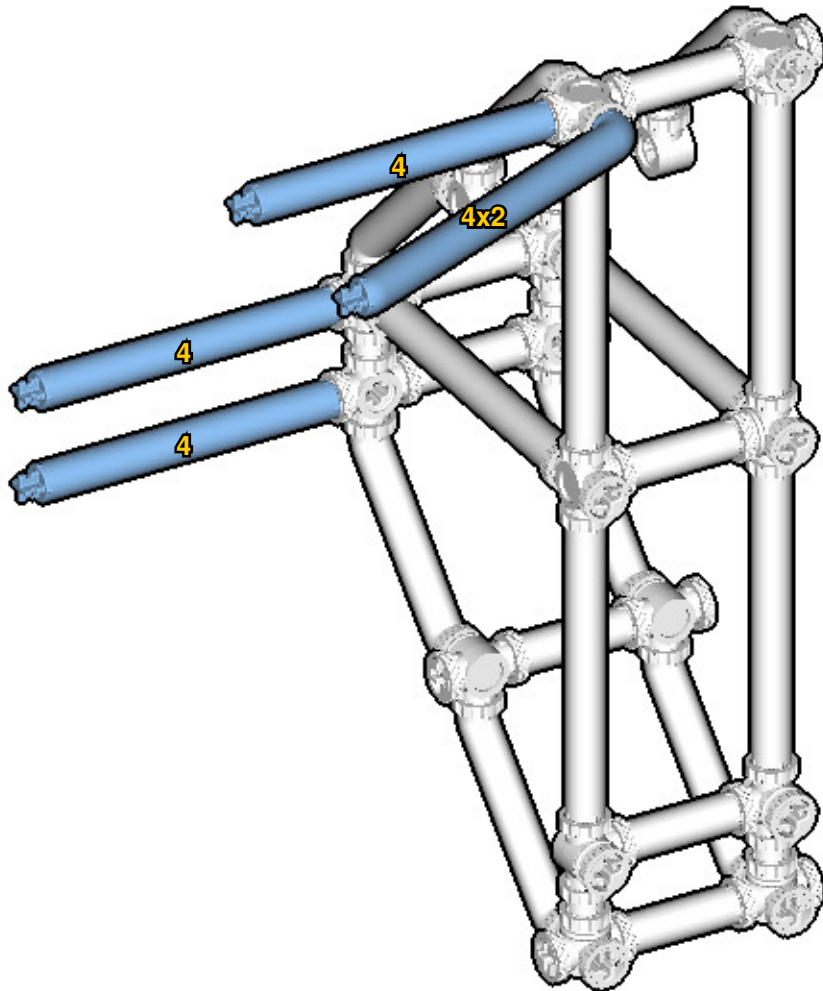


19



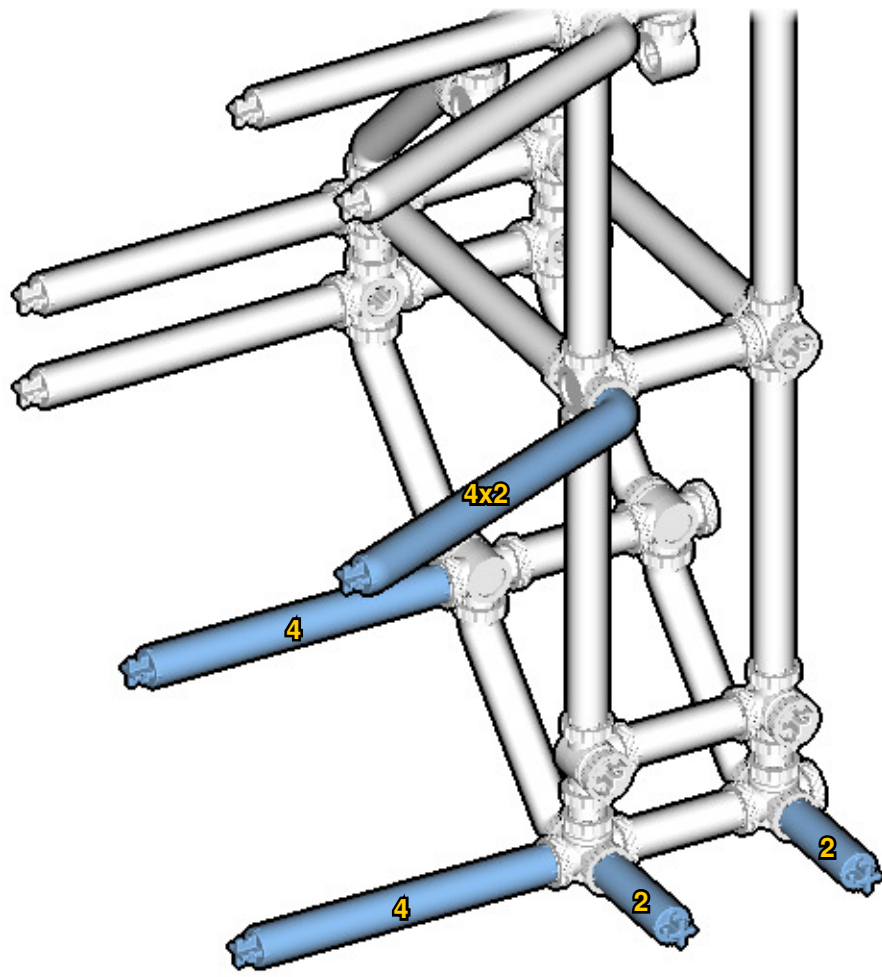
10

Connect submodel to model.

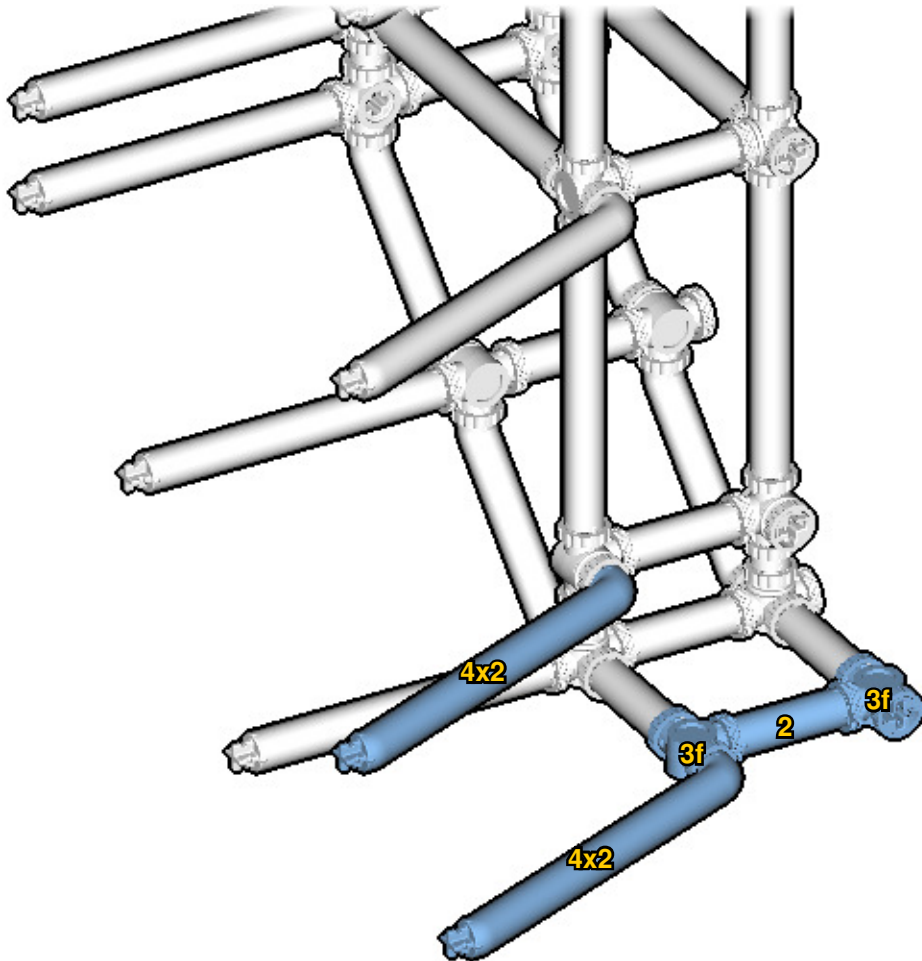


11

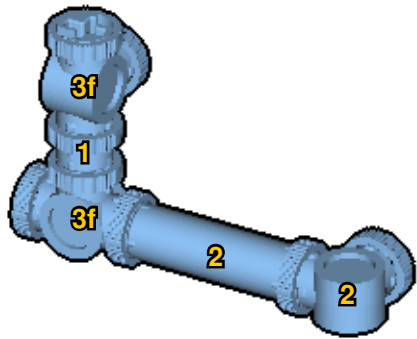
12



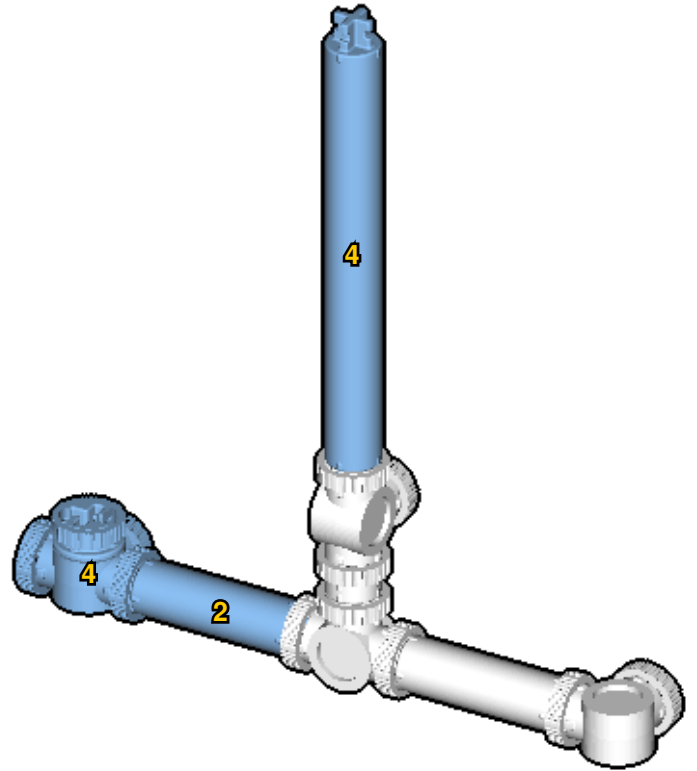
13



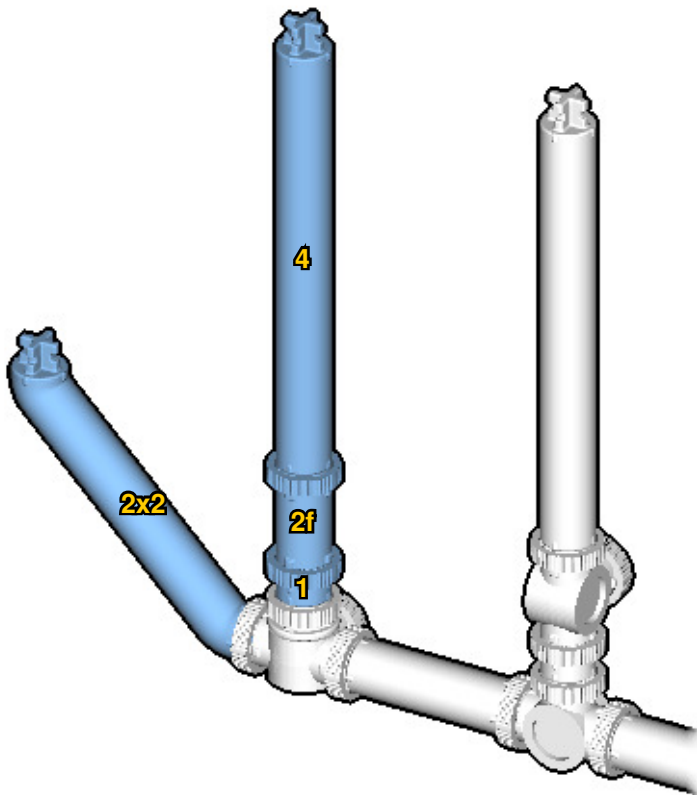
14



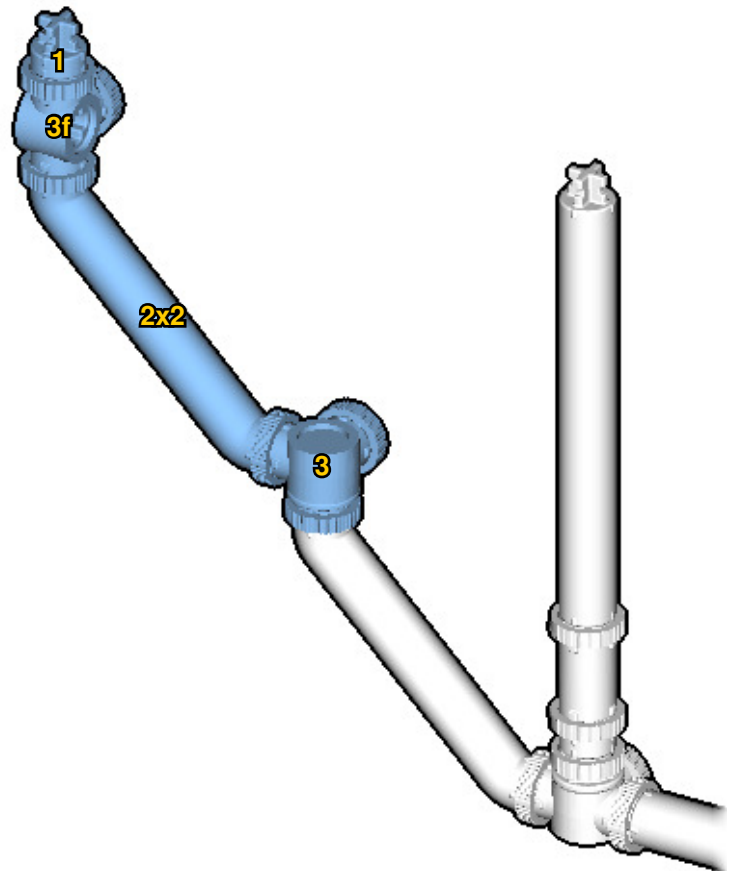
15

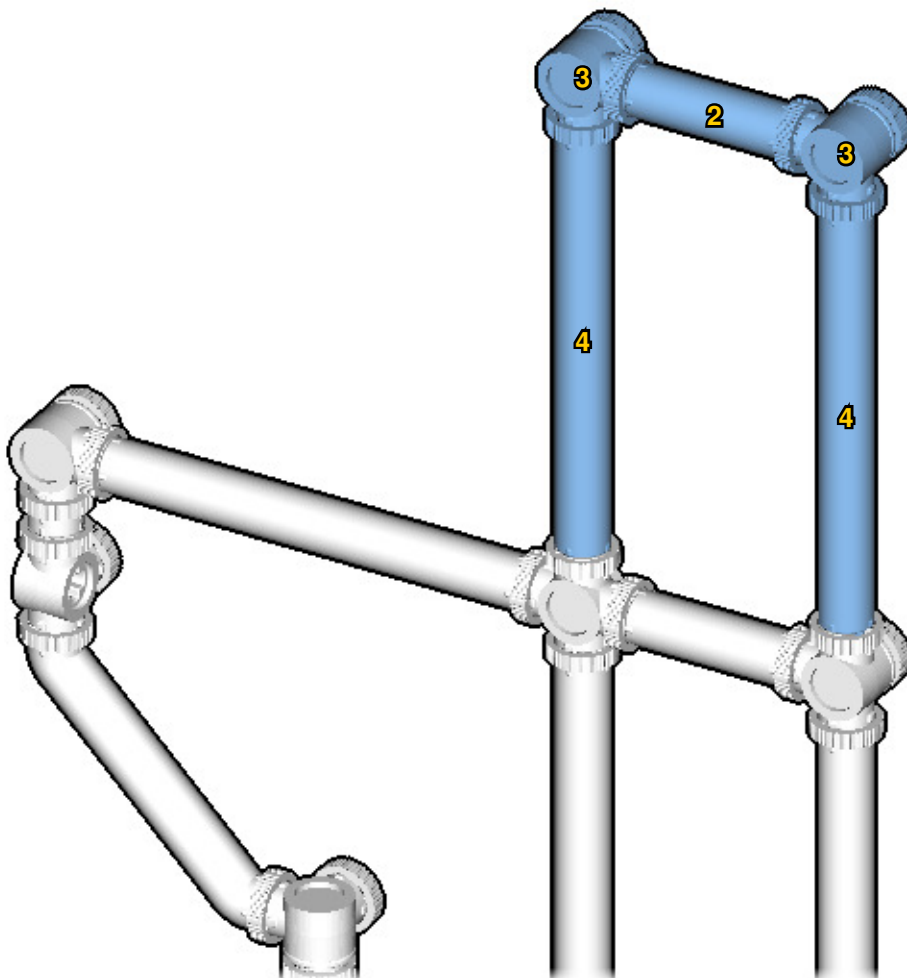
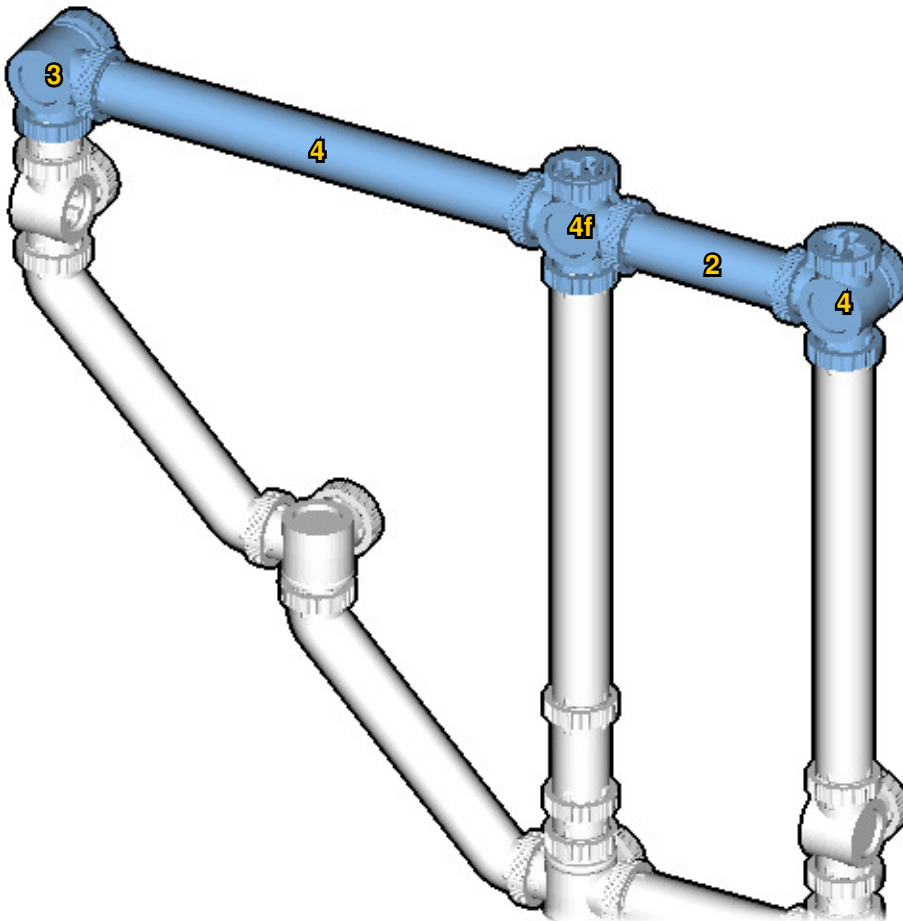


16

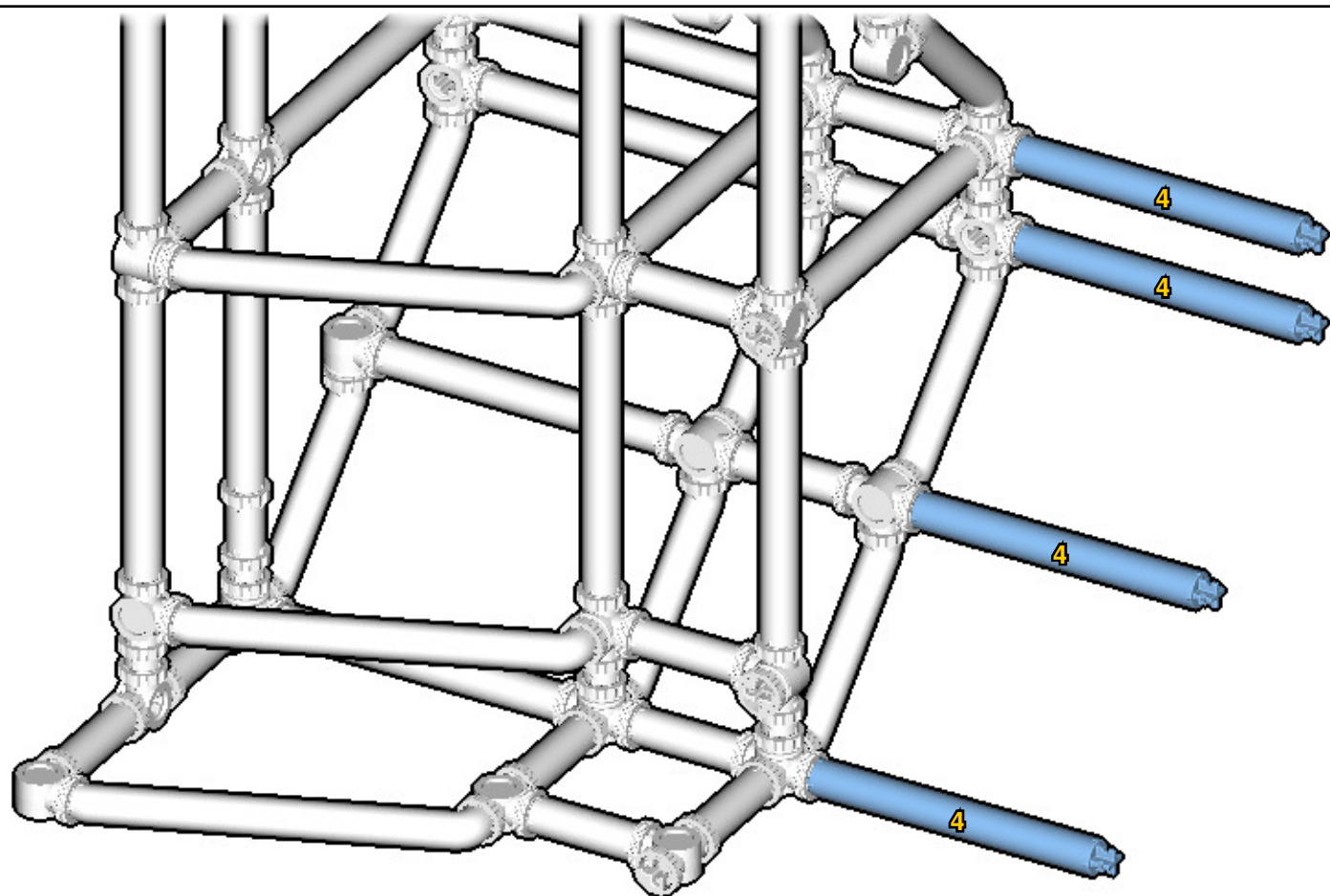
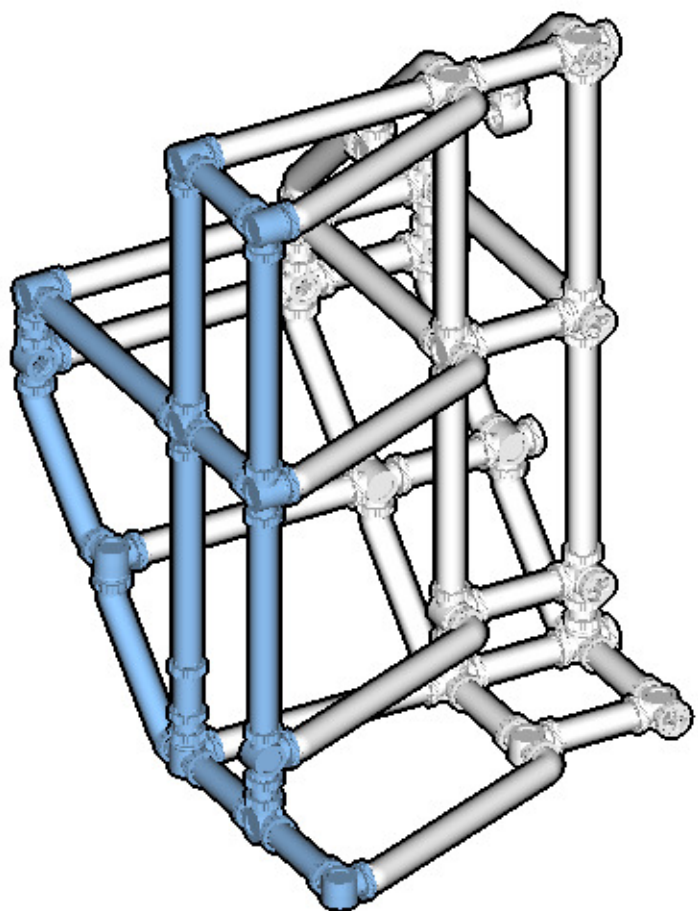


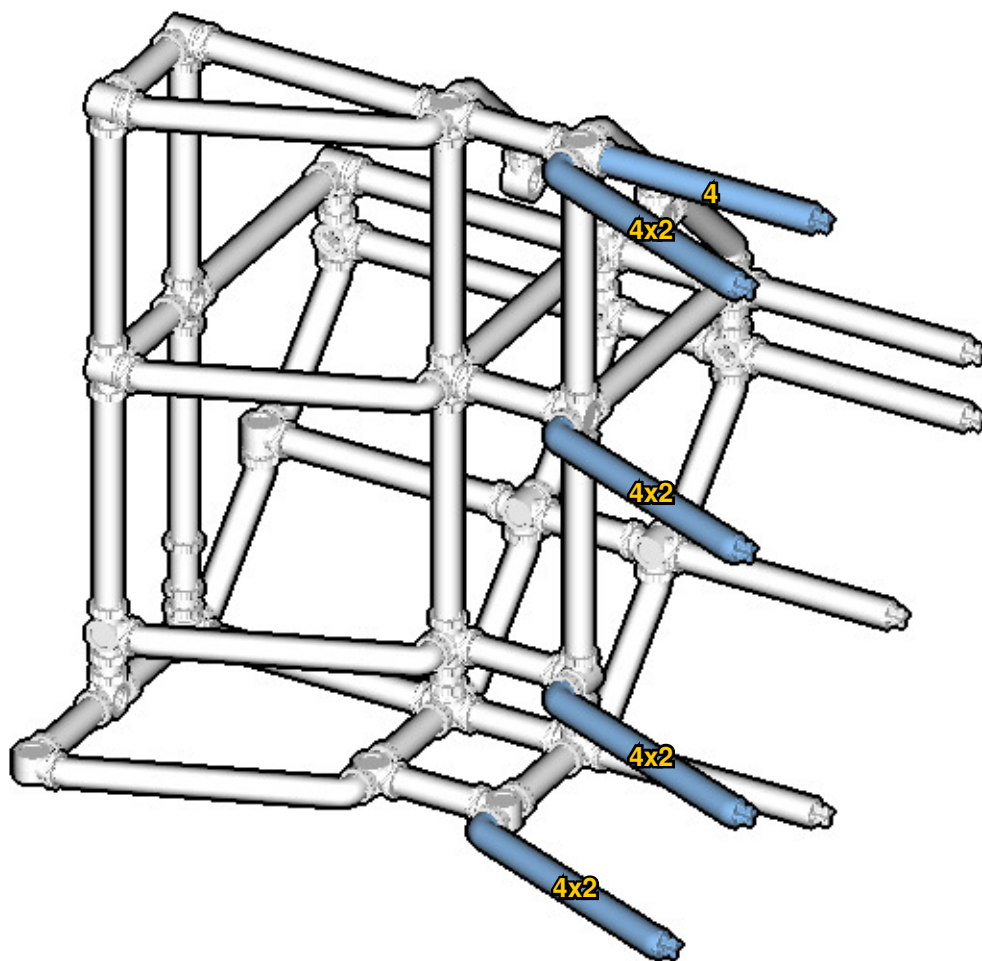
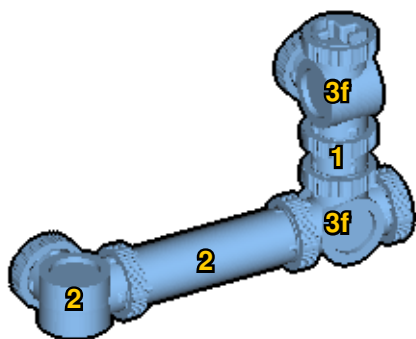
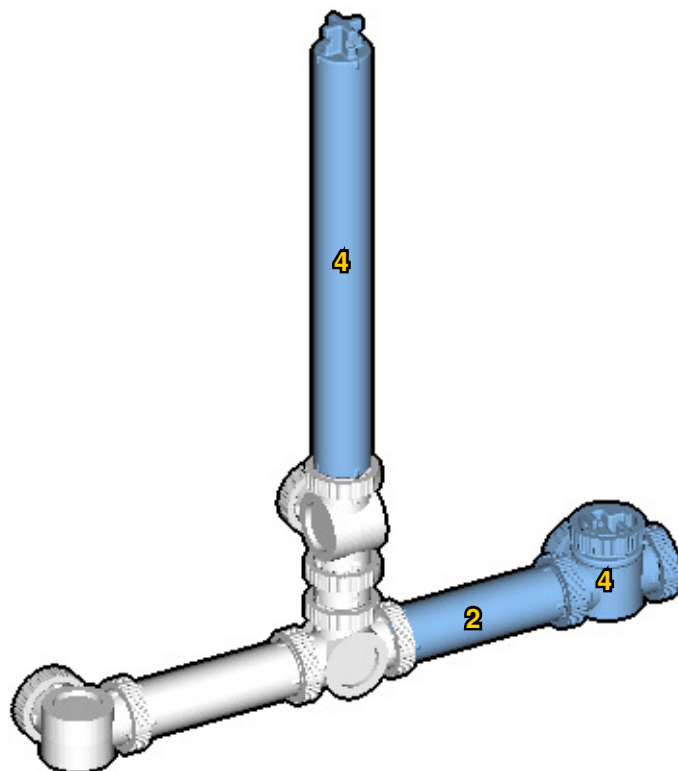
17



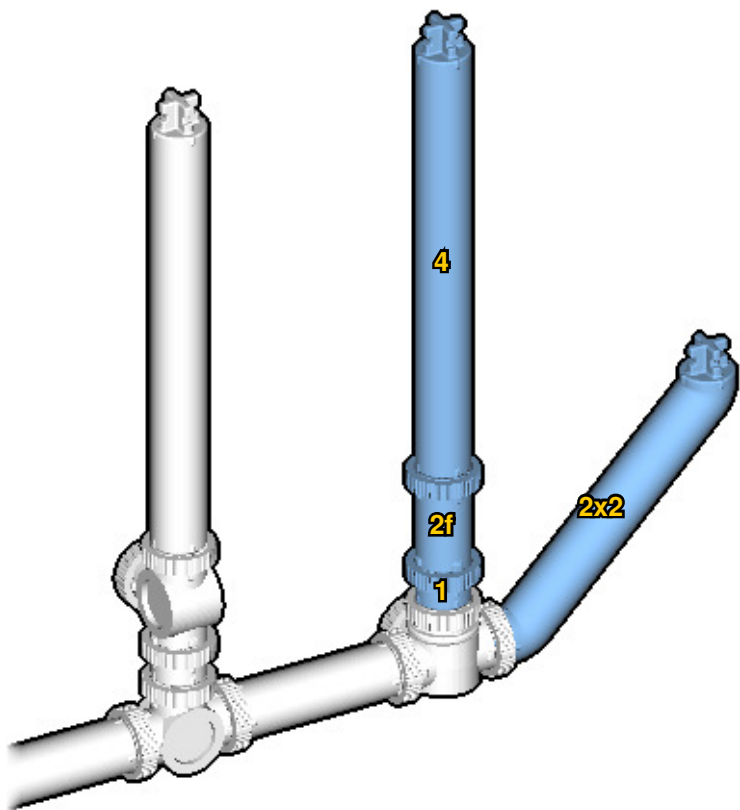




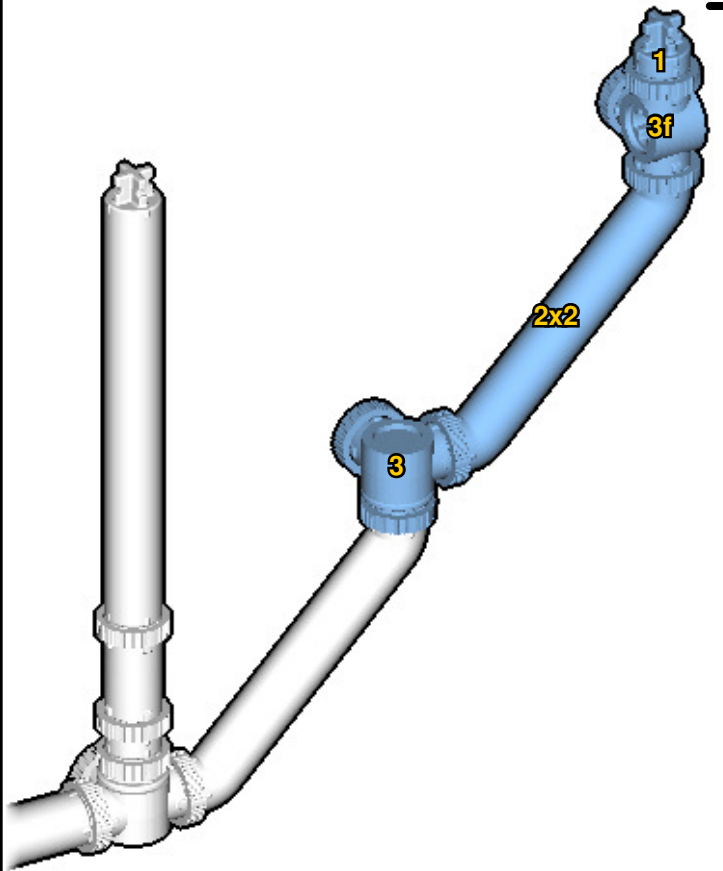


2324

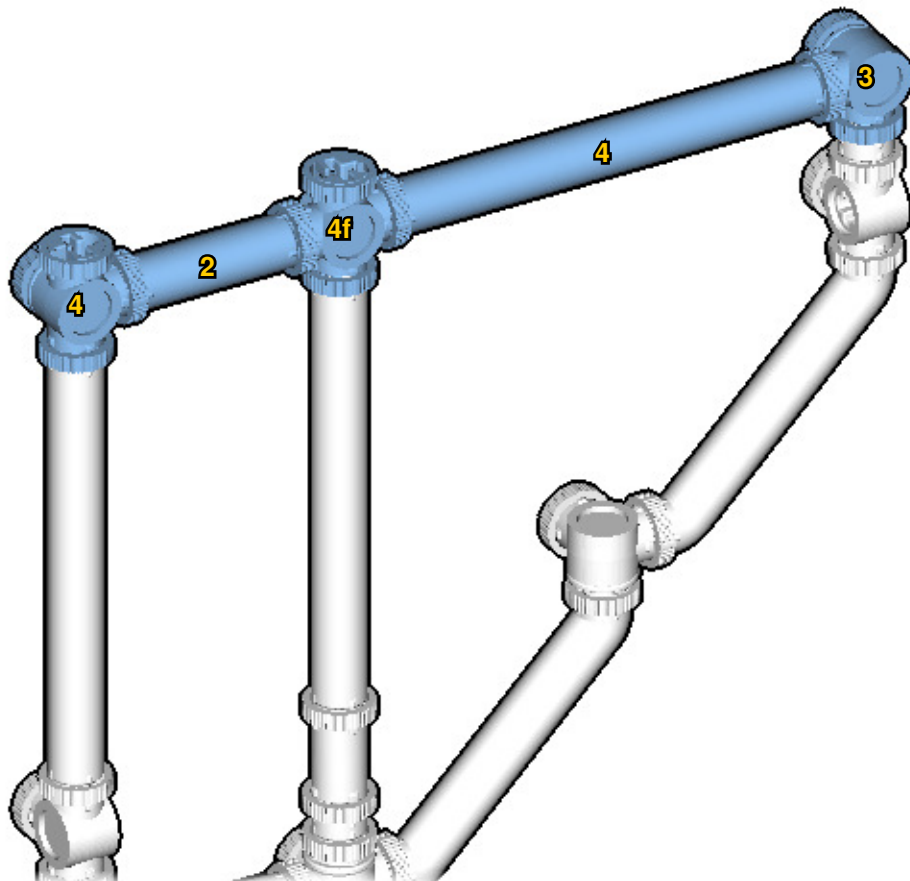
25

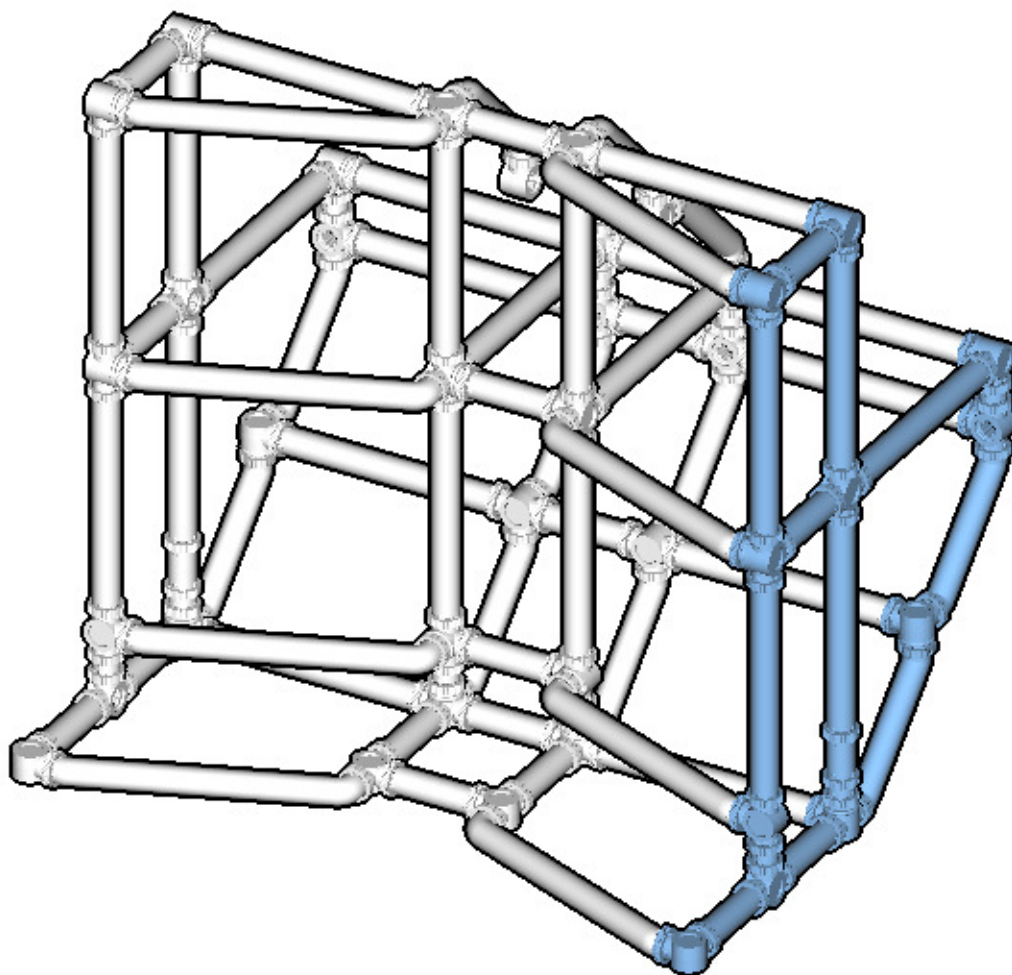
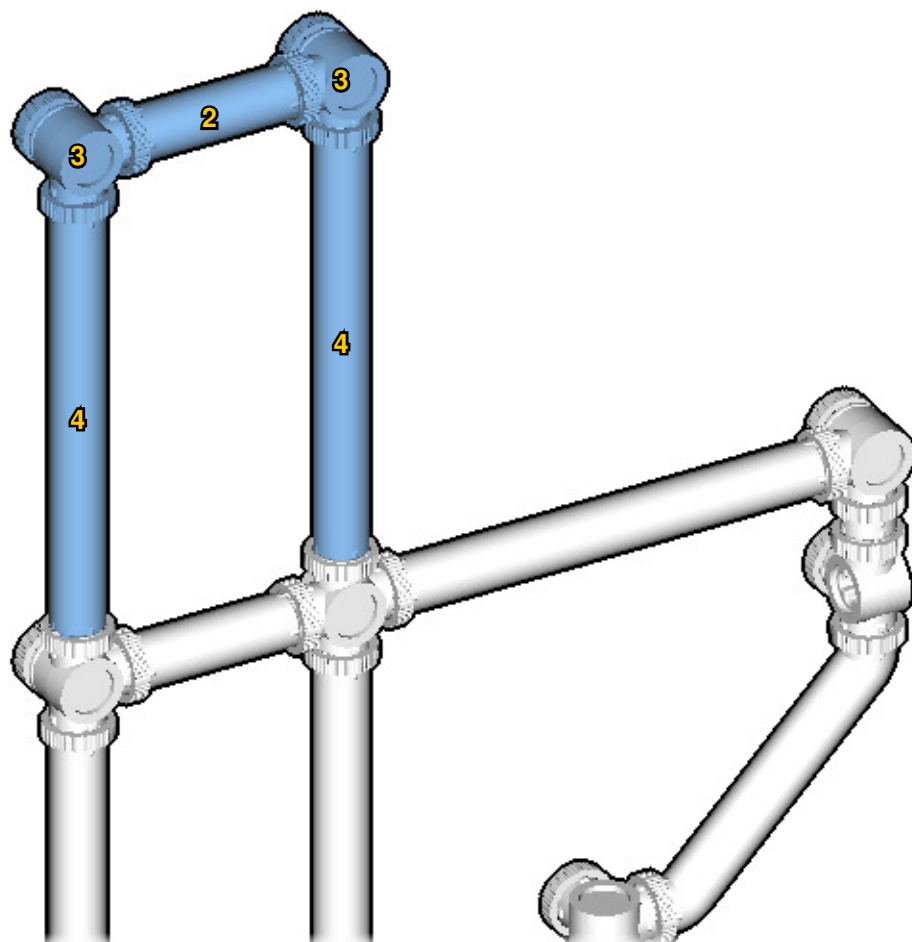


26

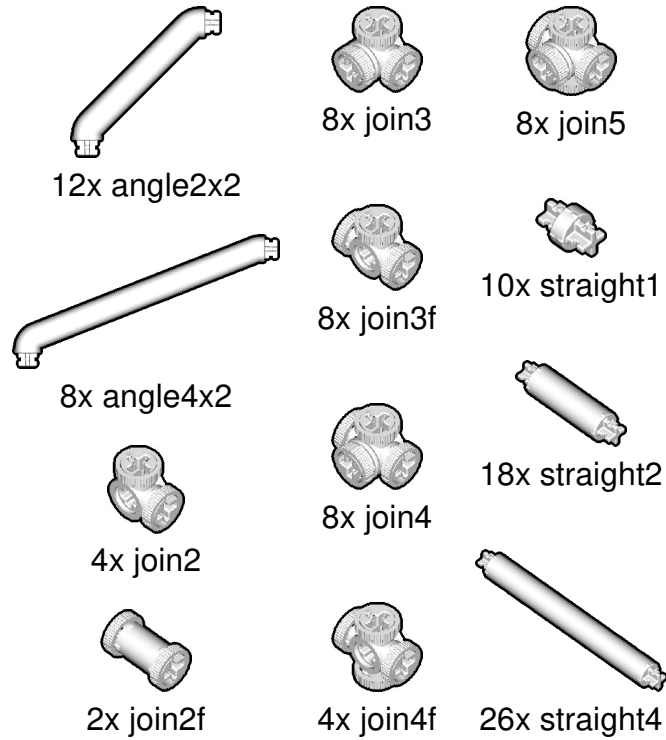


27





# INVENTORY



# ACTUAL SIZE

