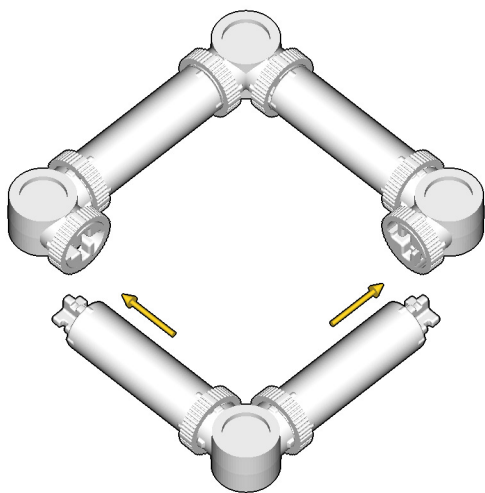
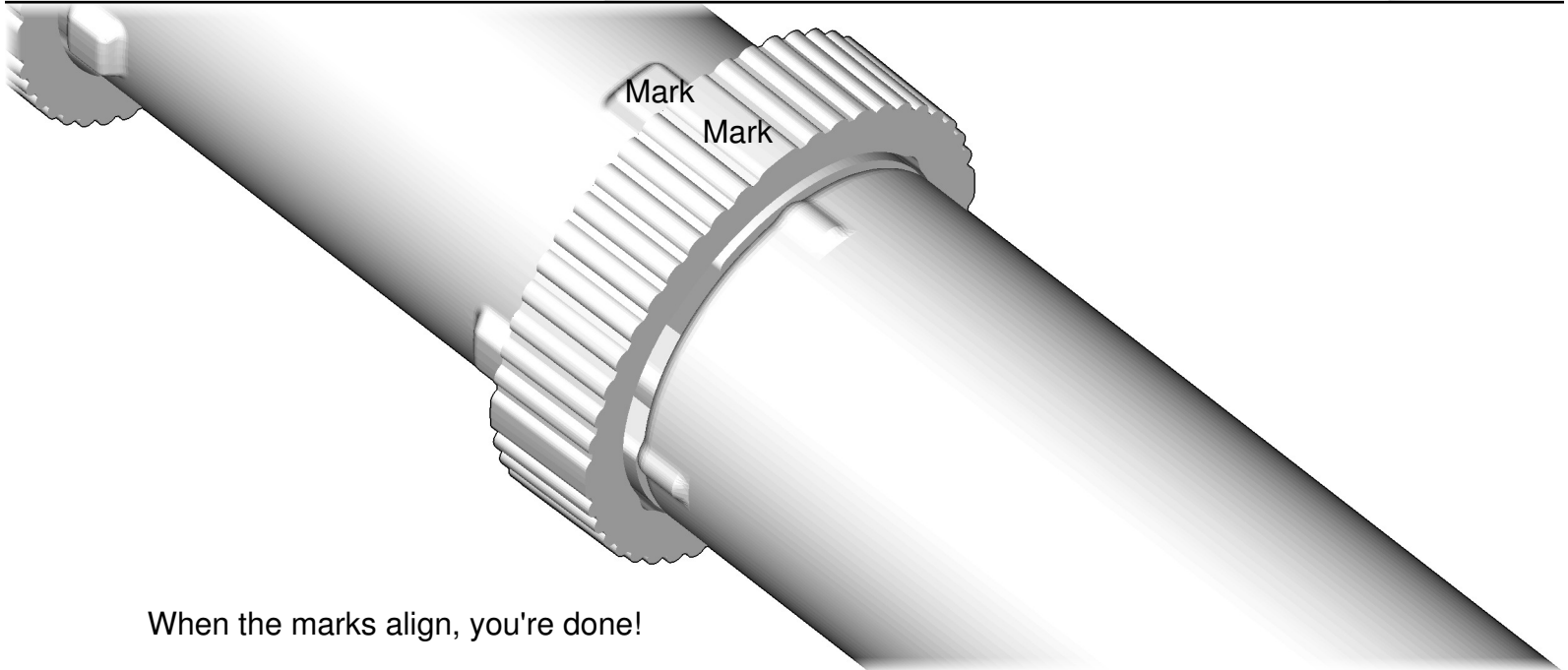
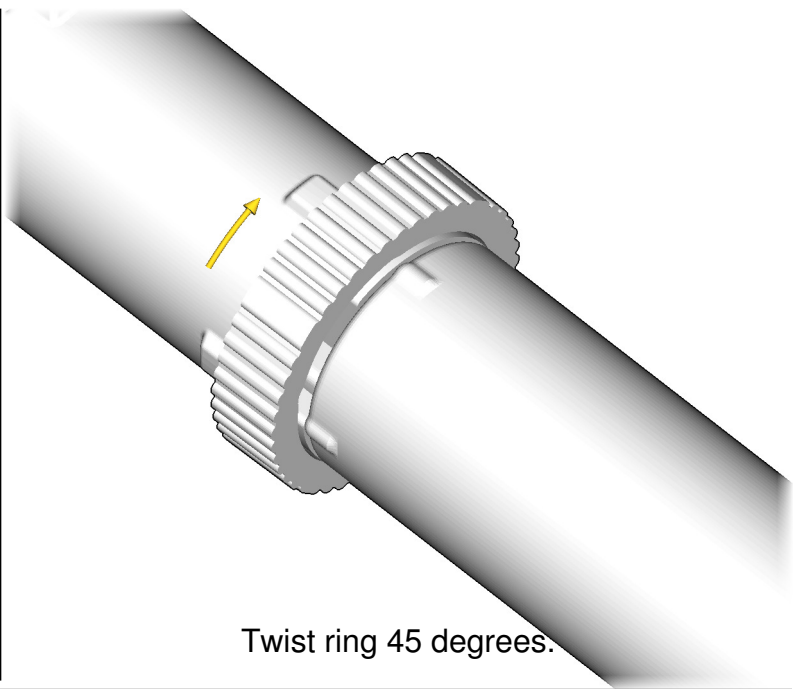
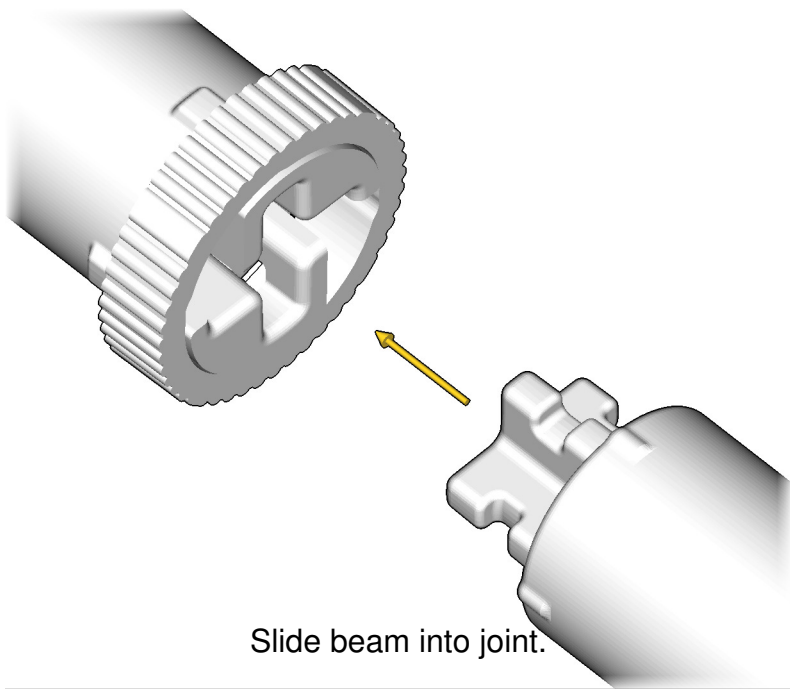
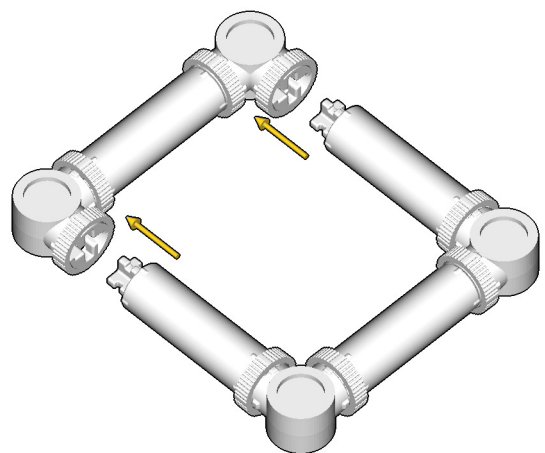


DUMP TRUCK

SIZE	0.8ft x 0.4ft x 0.4ft	PIECES	167
DESIGNER	Charles Sharman	MADE IN	U.S.A.

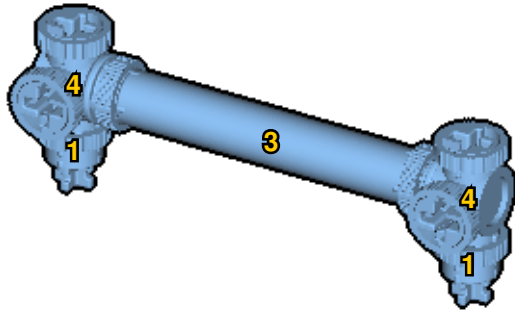


Wrong
Connecting/Disconnecting Two Directions



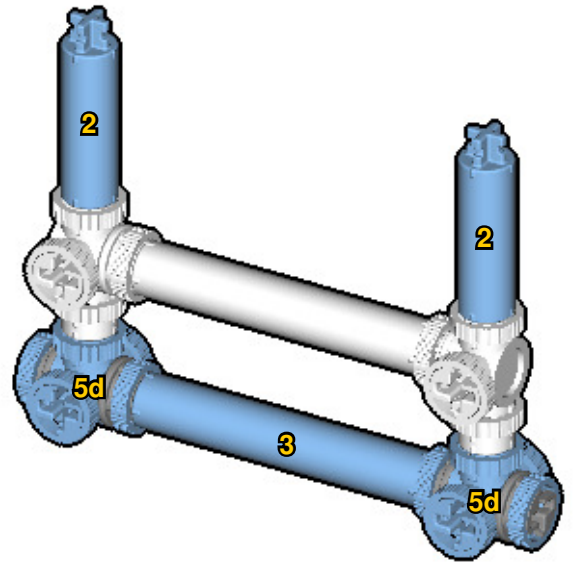
Right
Connecting/Disconnecting One Direction

1



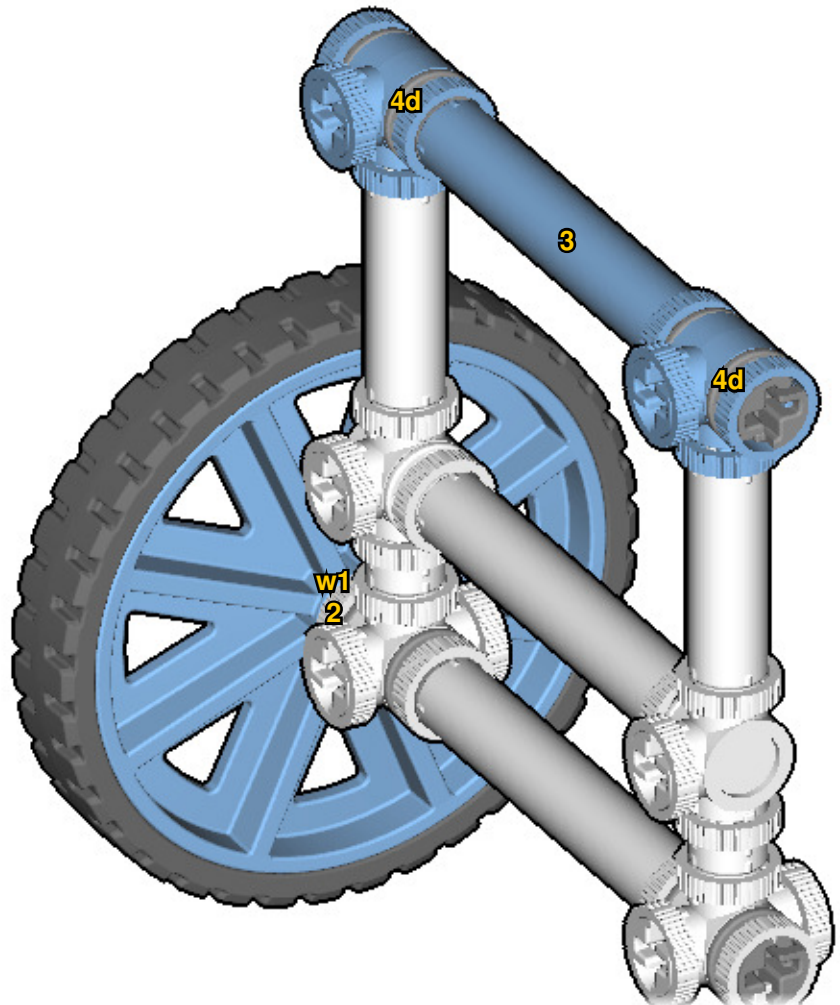
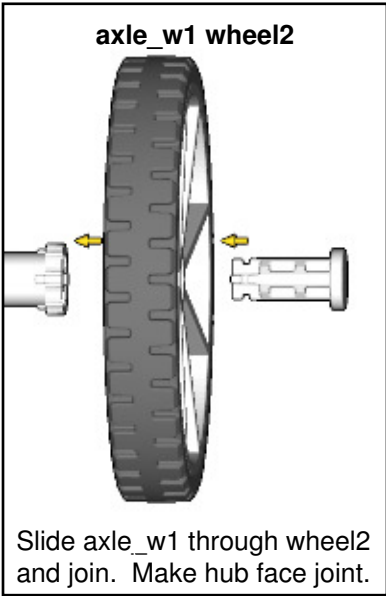
New pieces are drawn blue. Old pieces are drawn white.
See back for piece names.

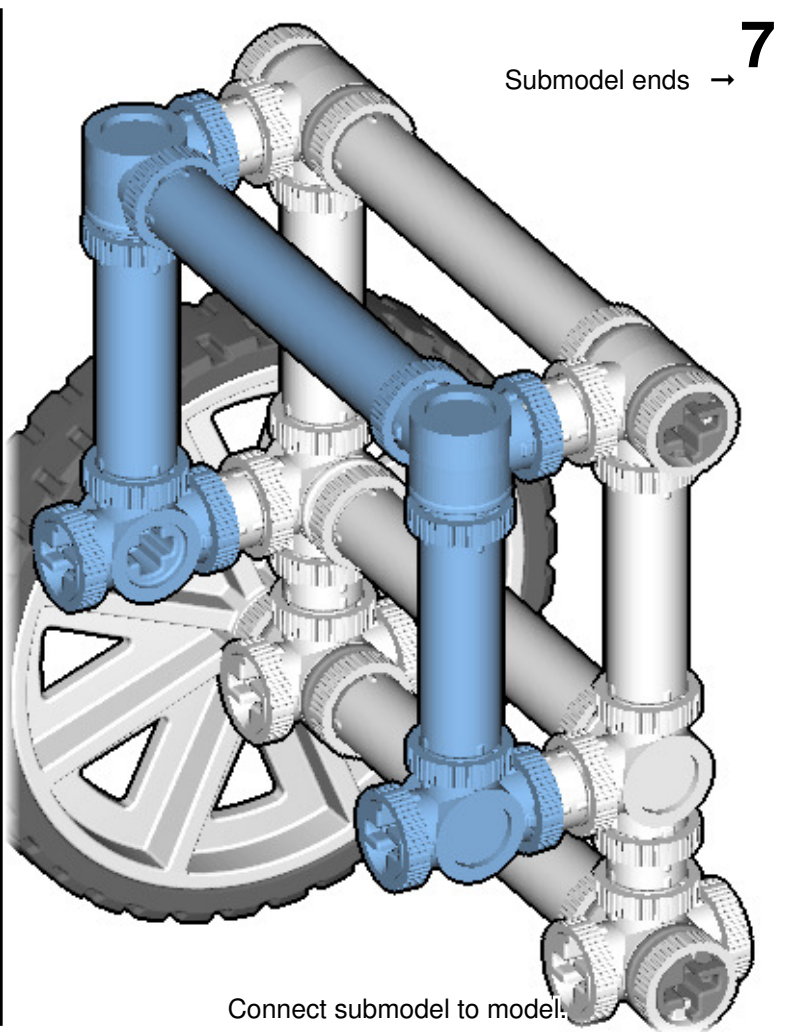
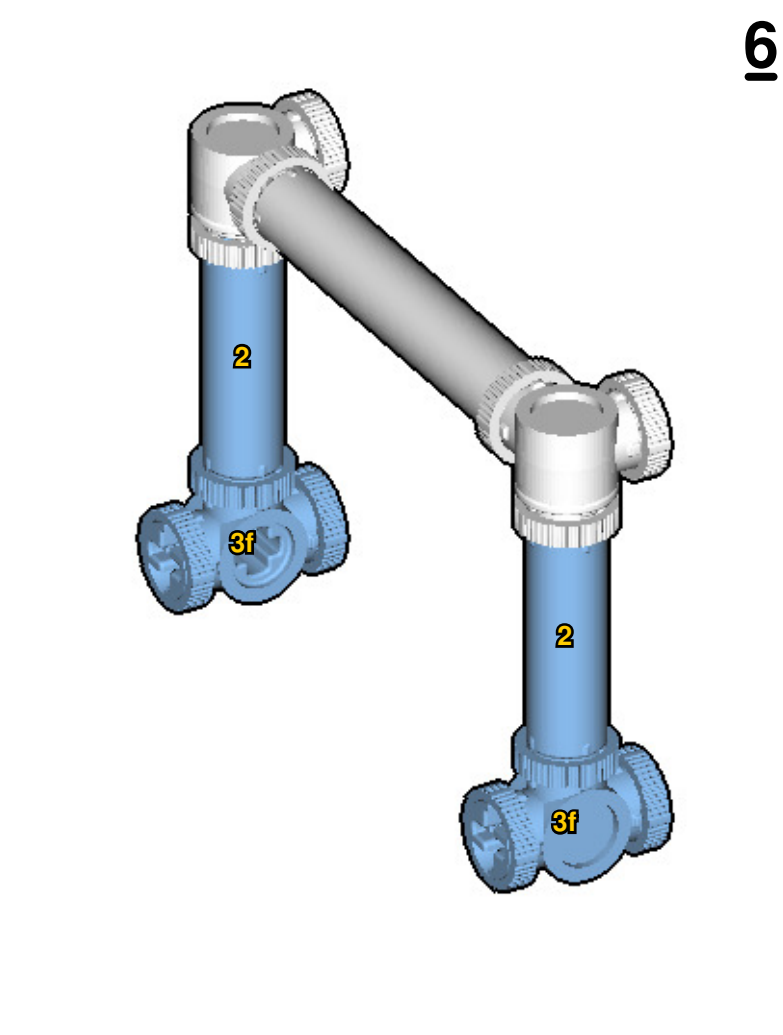
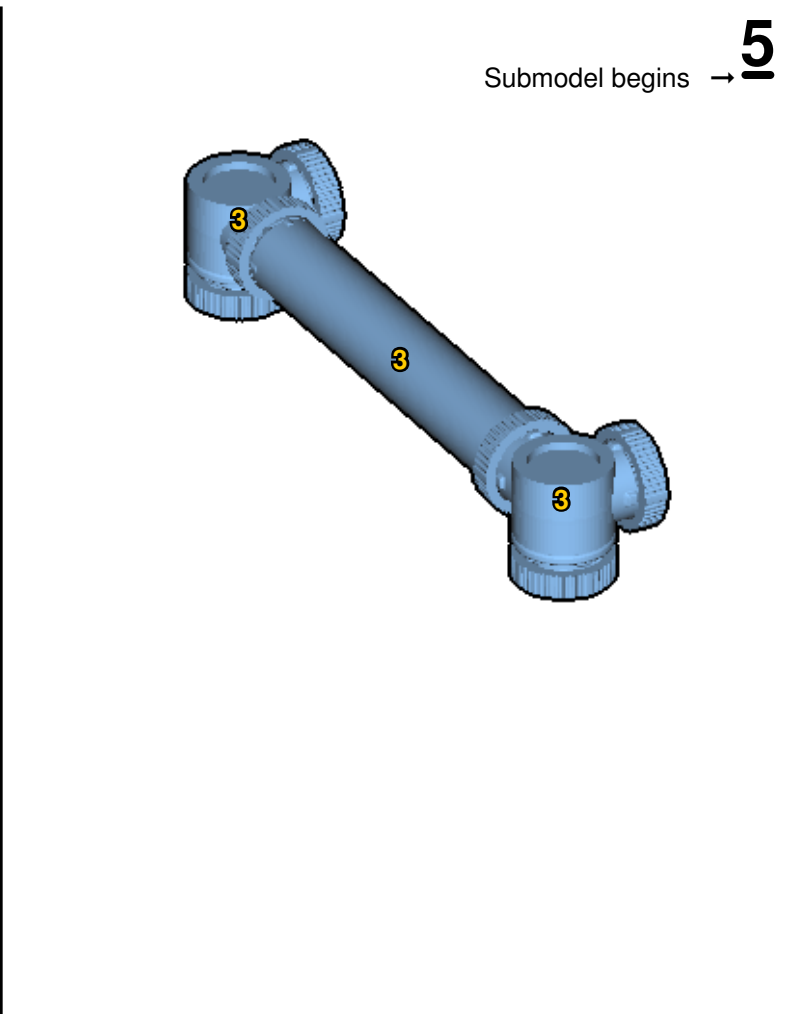
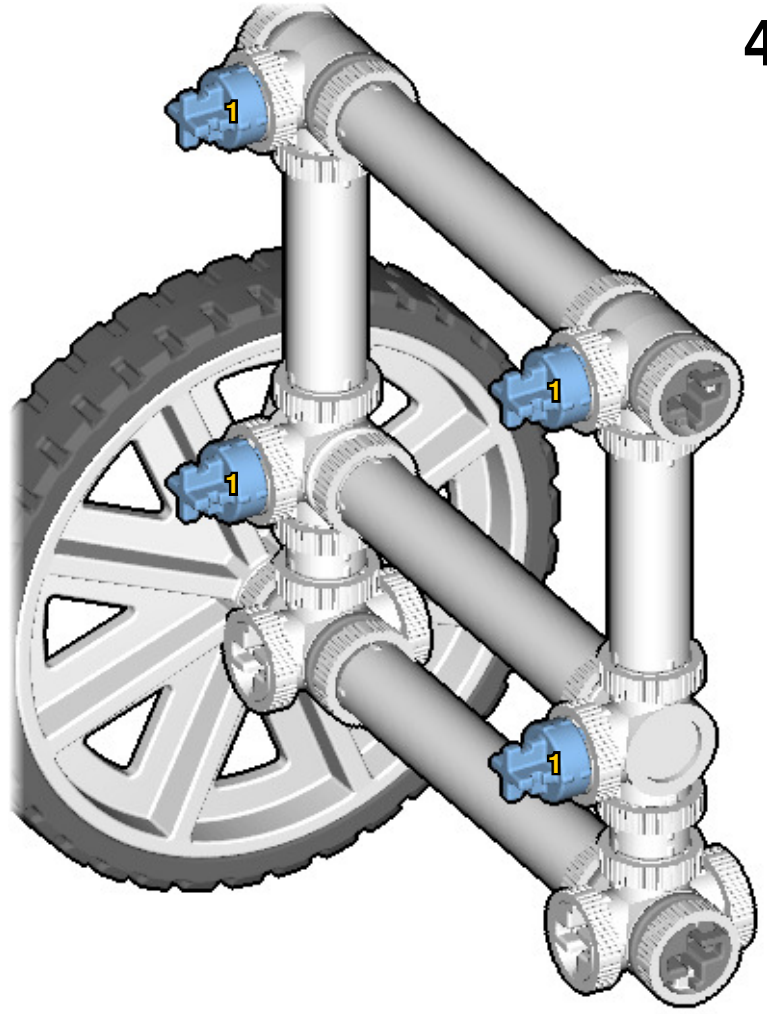
2

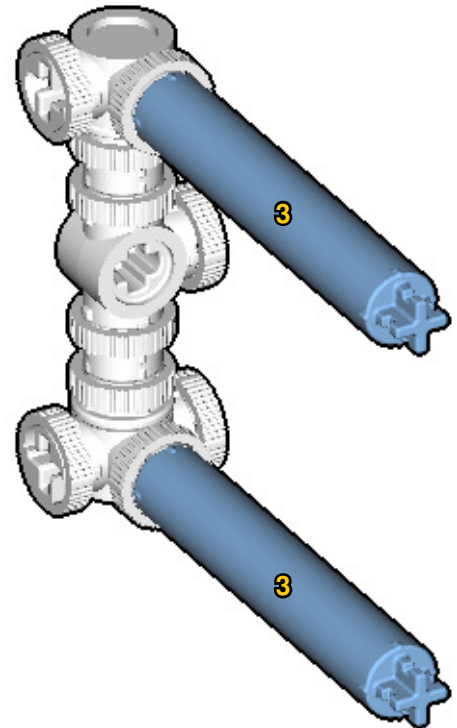
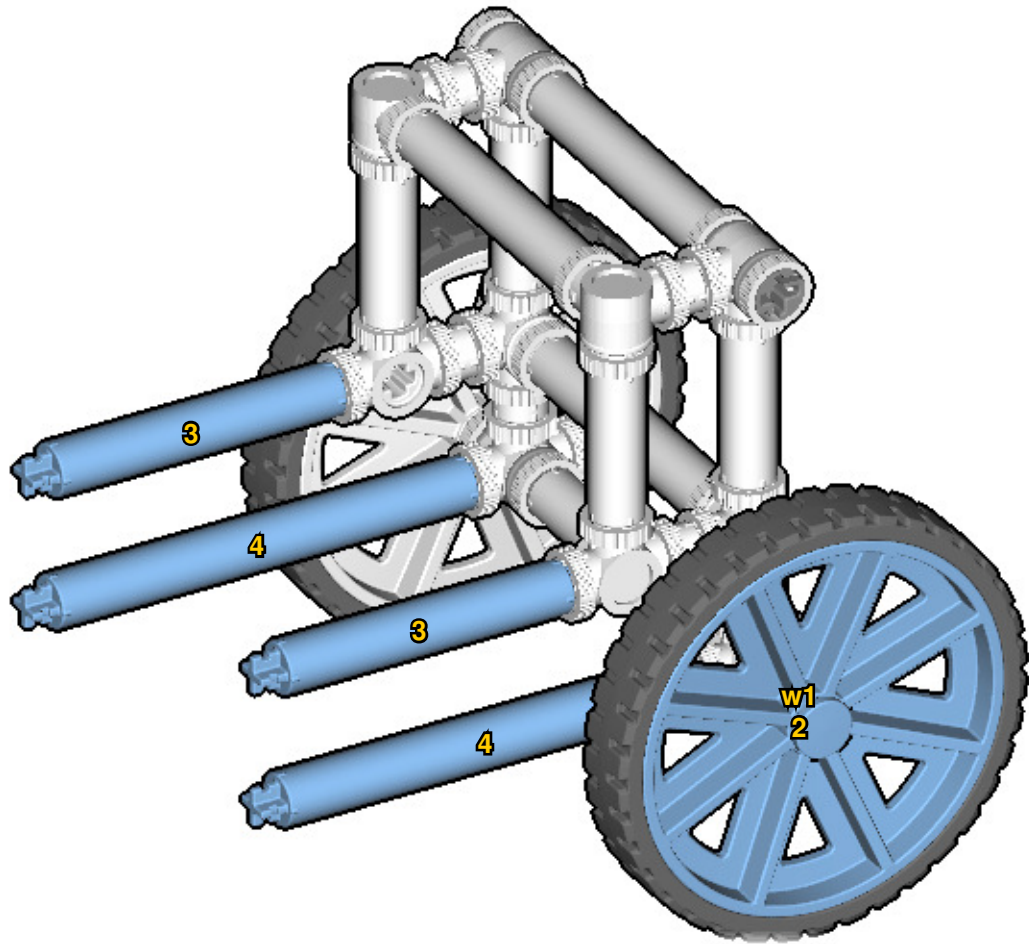


Connect new pieces together before connecting to old pieces.

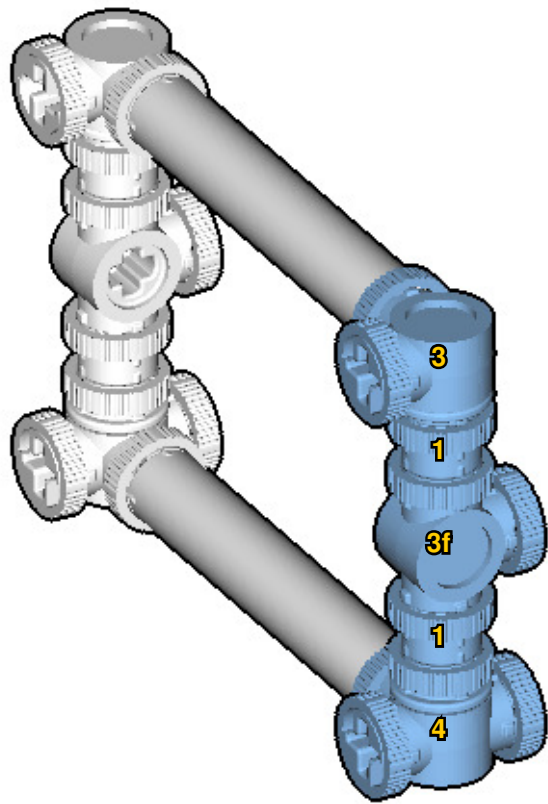
3



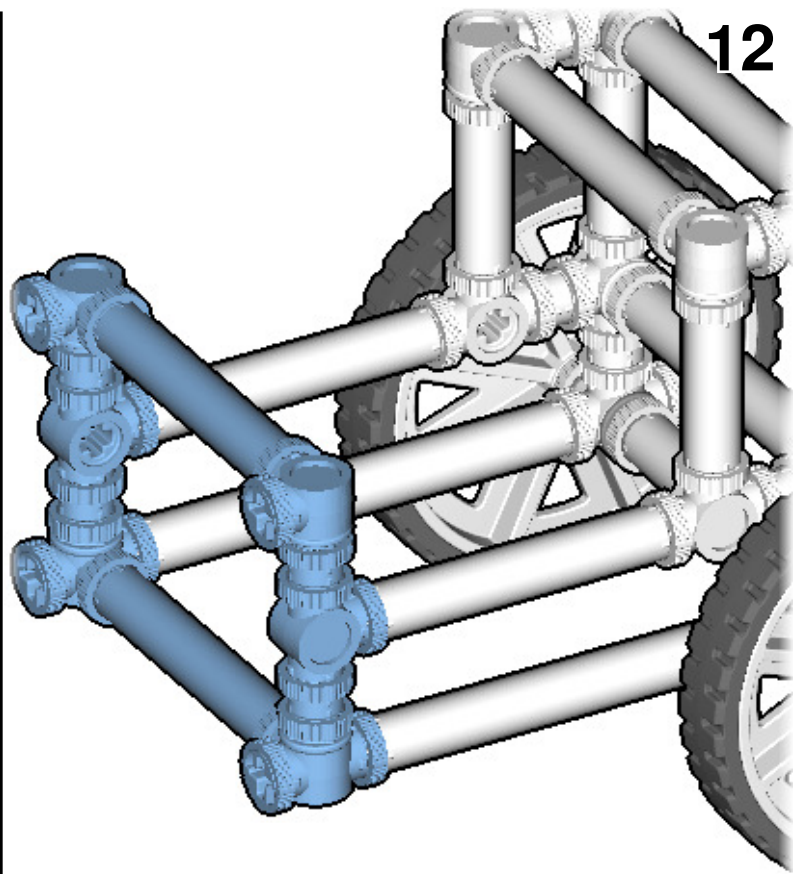




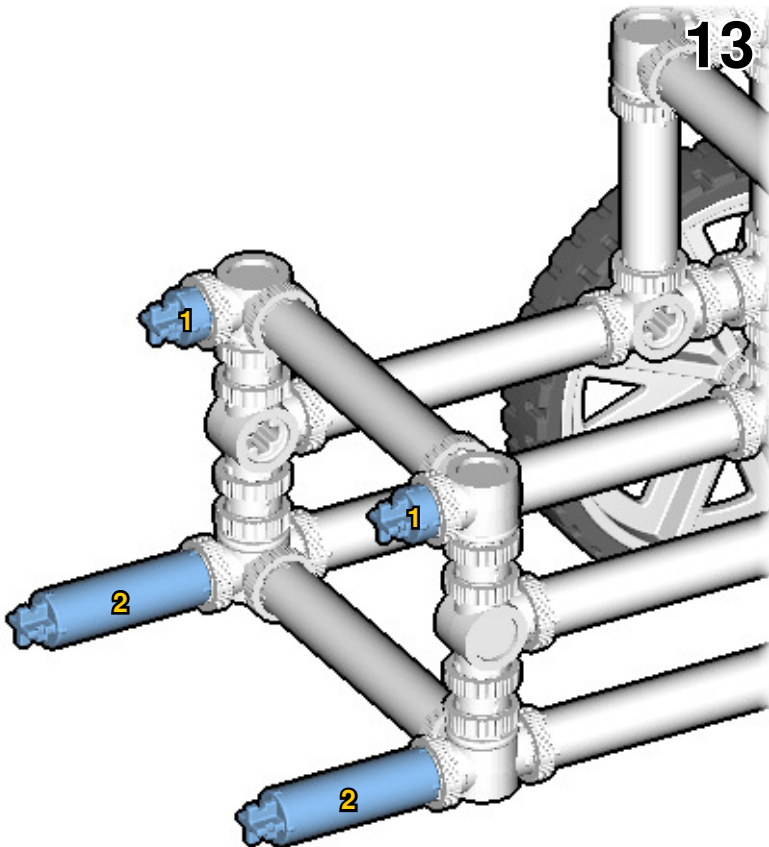
11



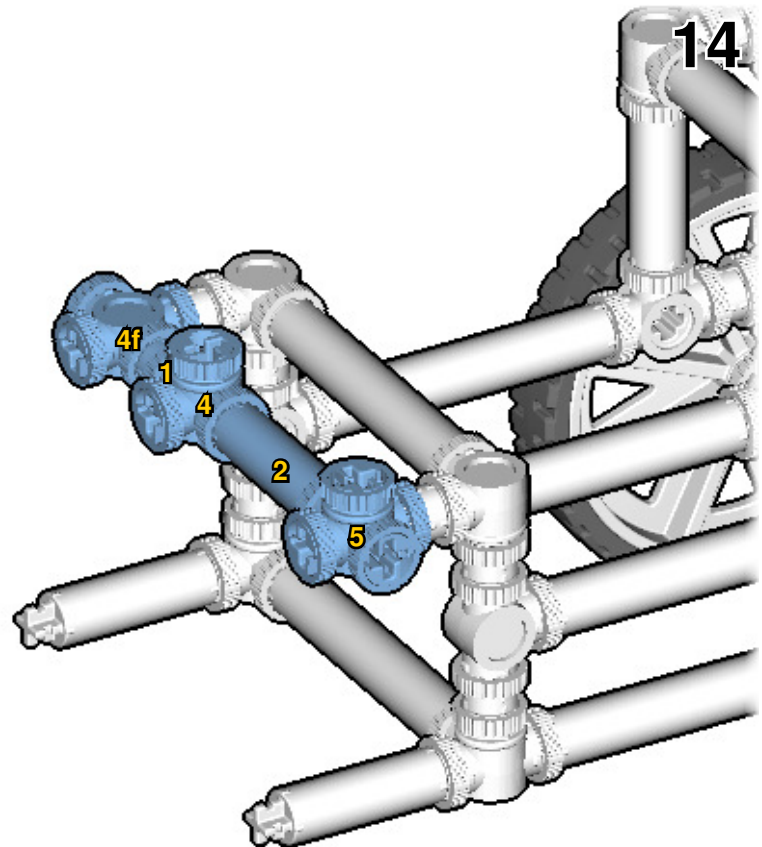
12



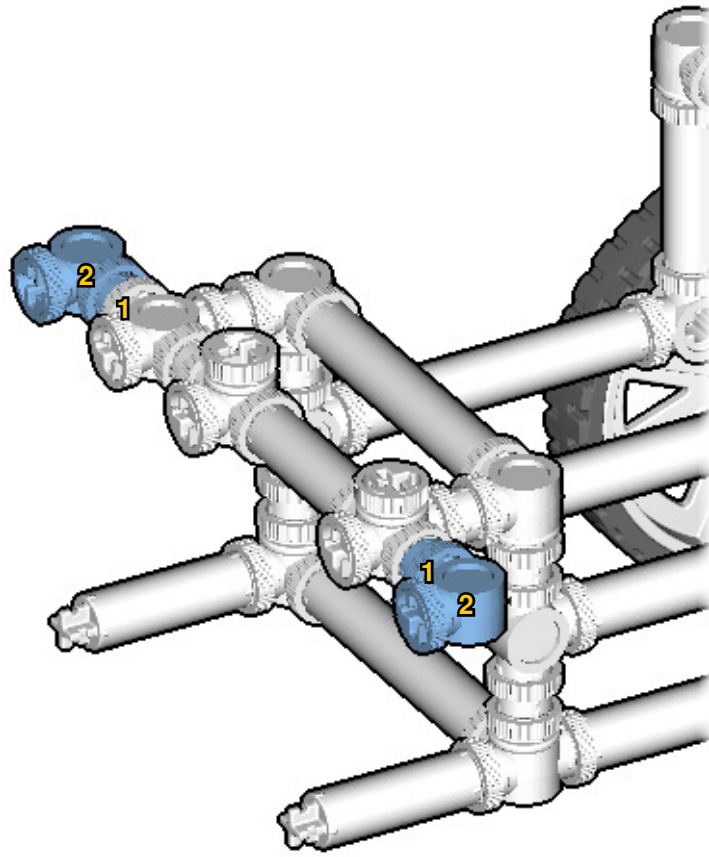
13



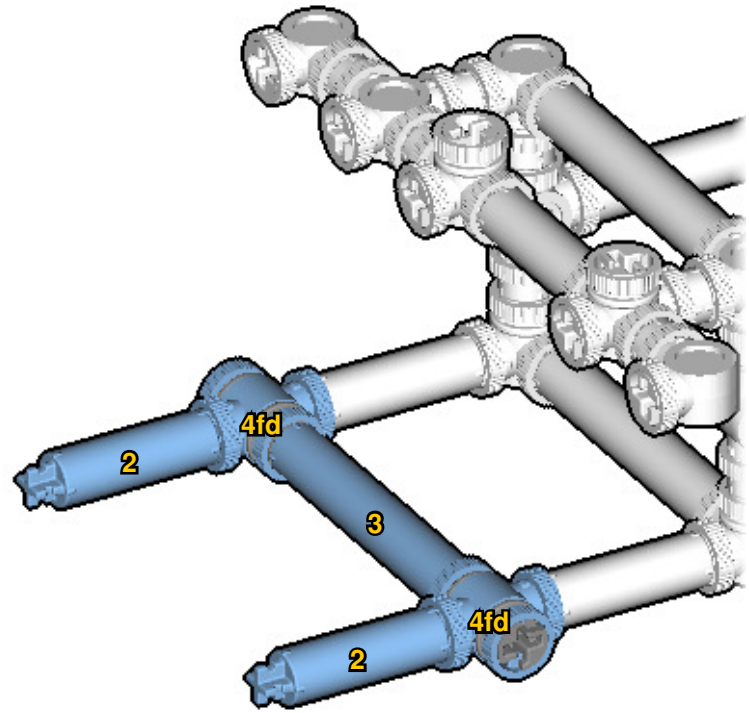
14



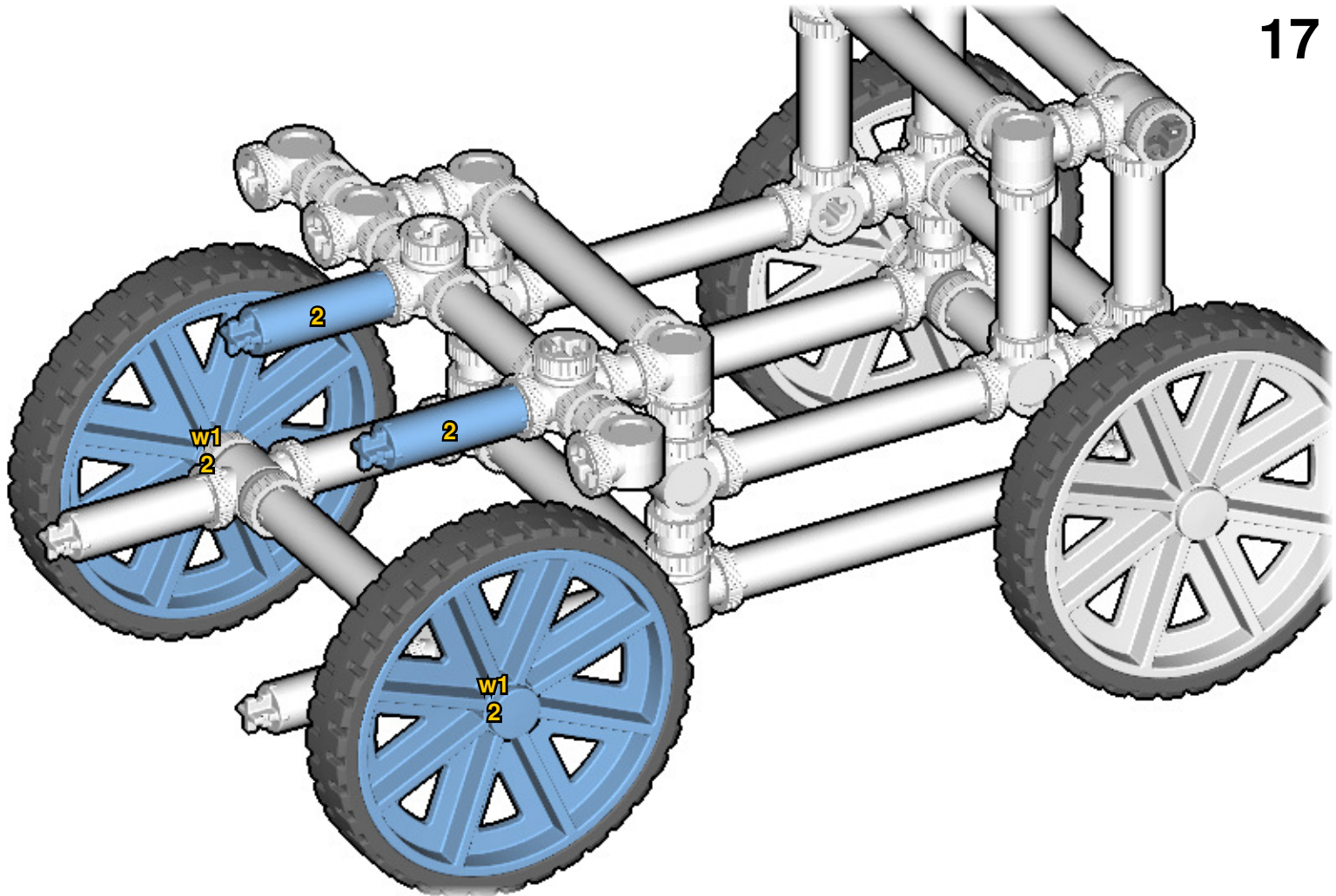
15



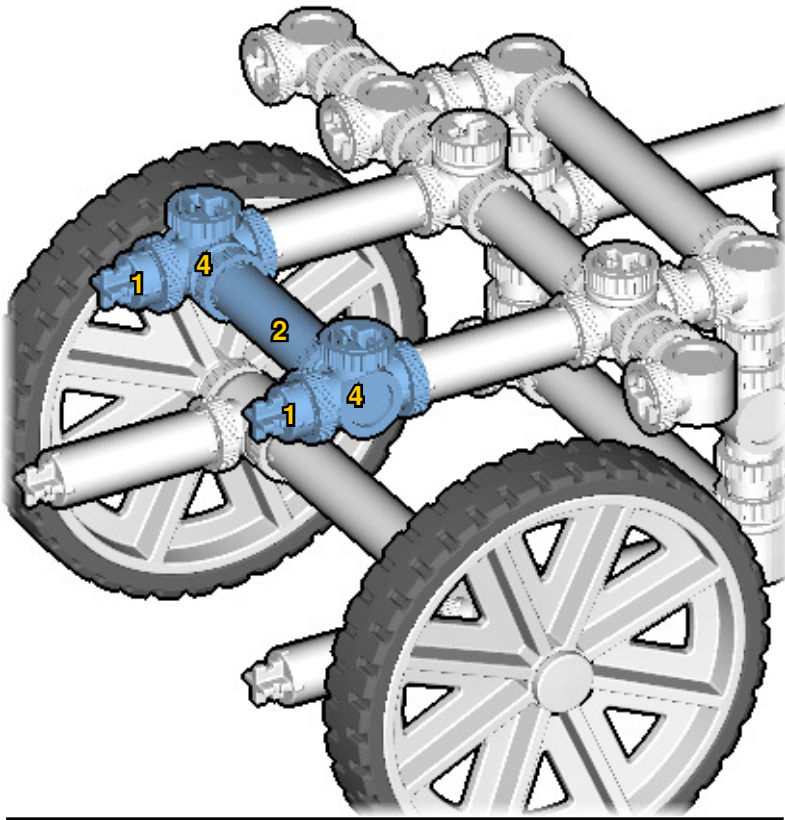
16



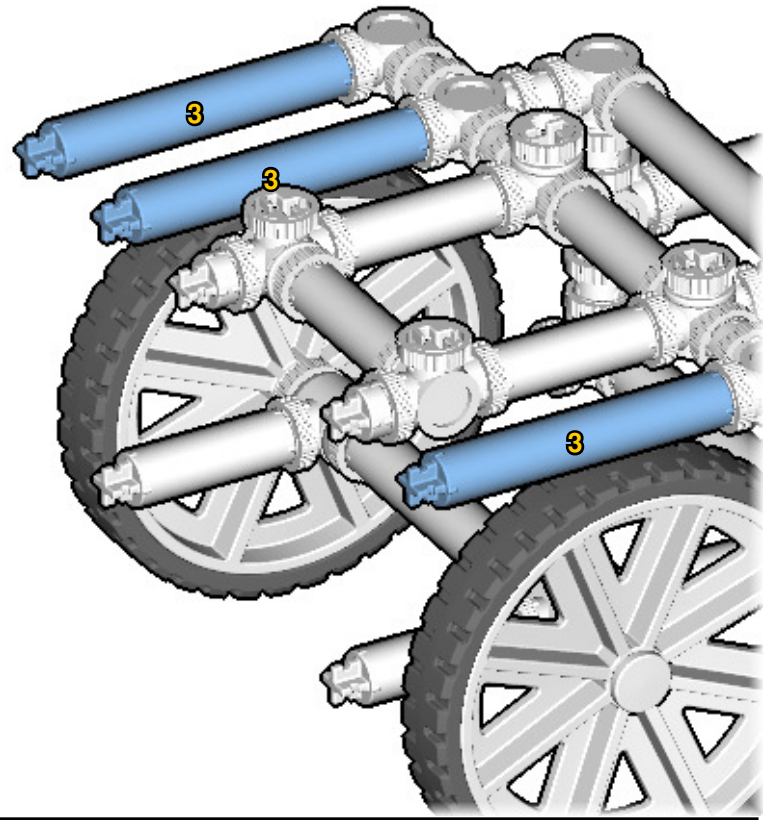
17



18



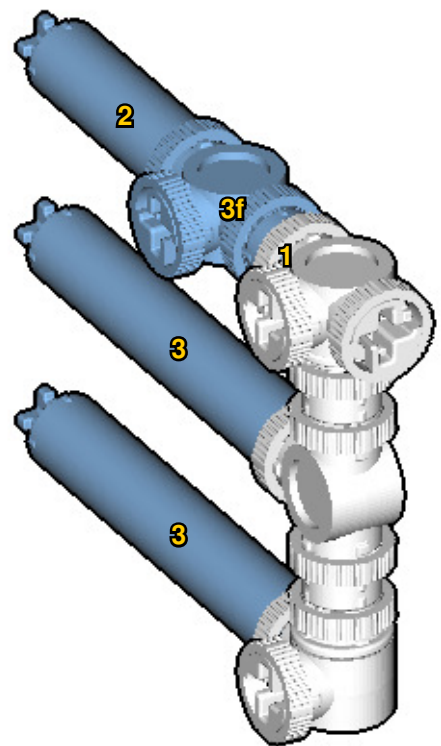
19



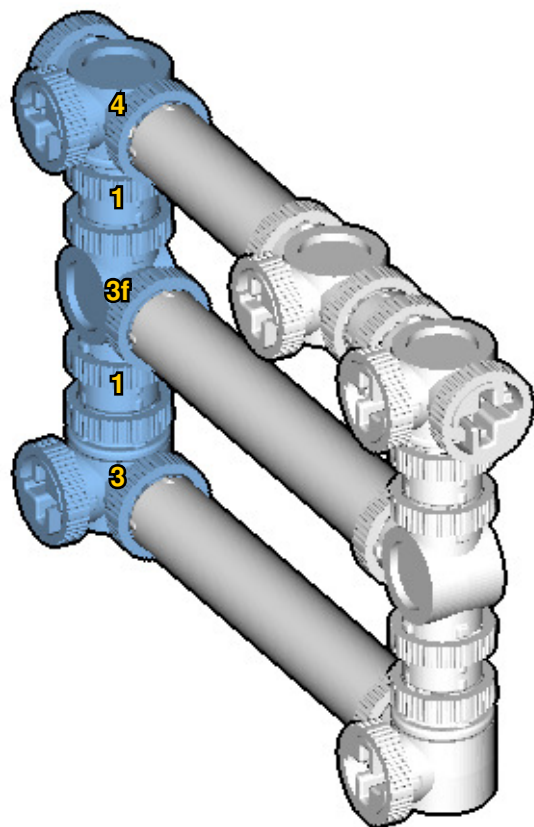
20



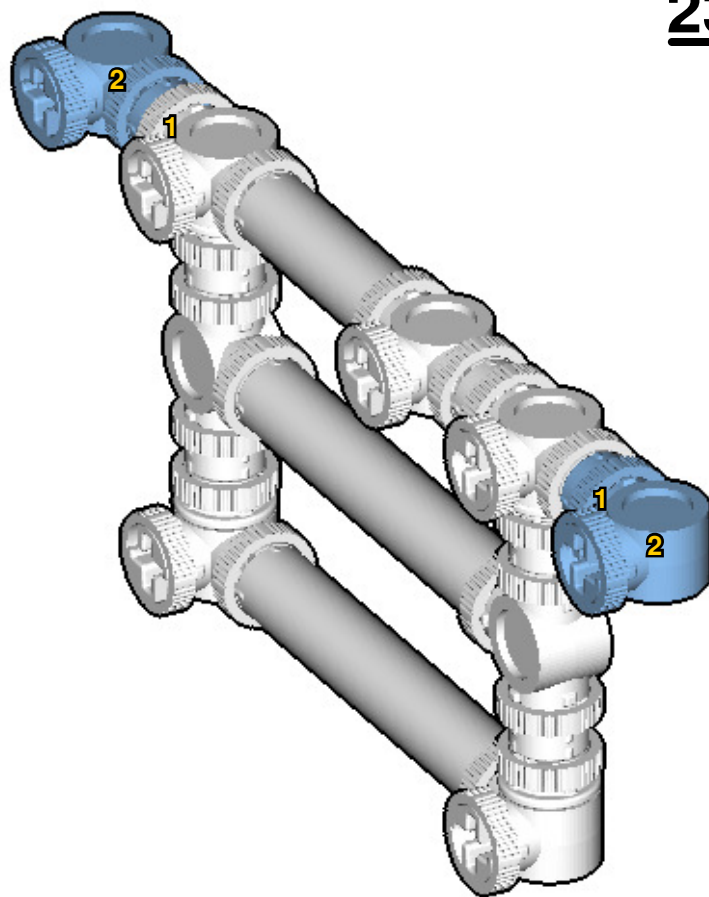
21



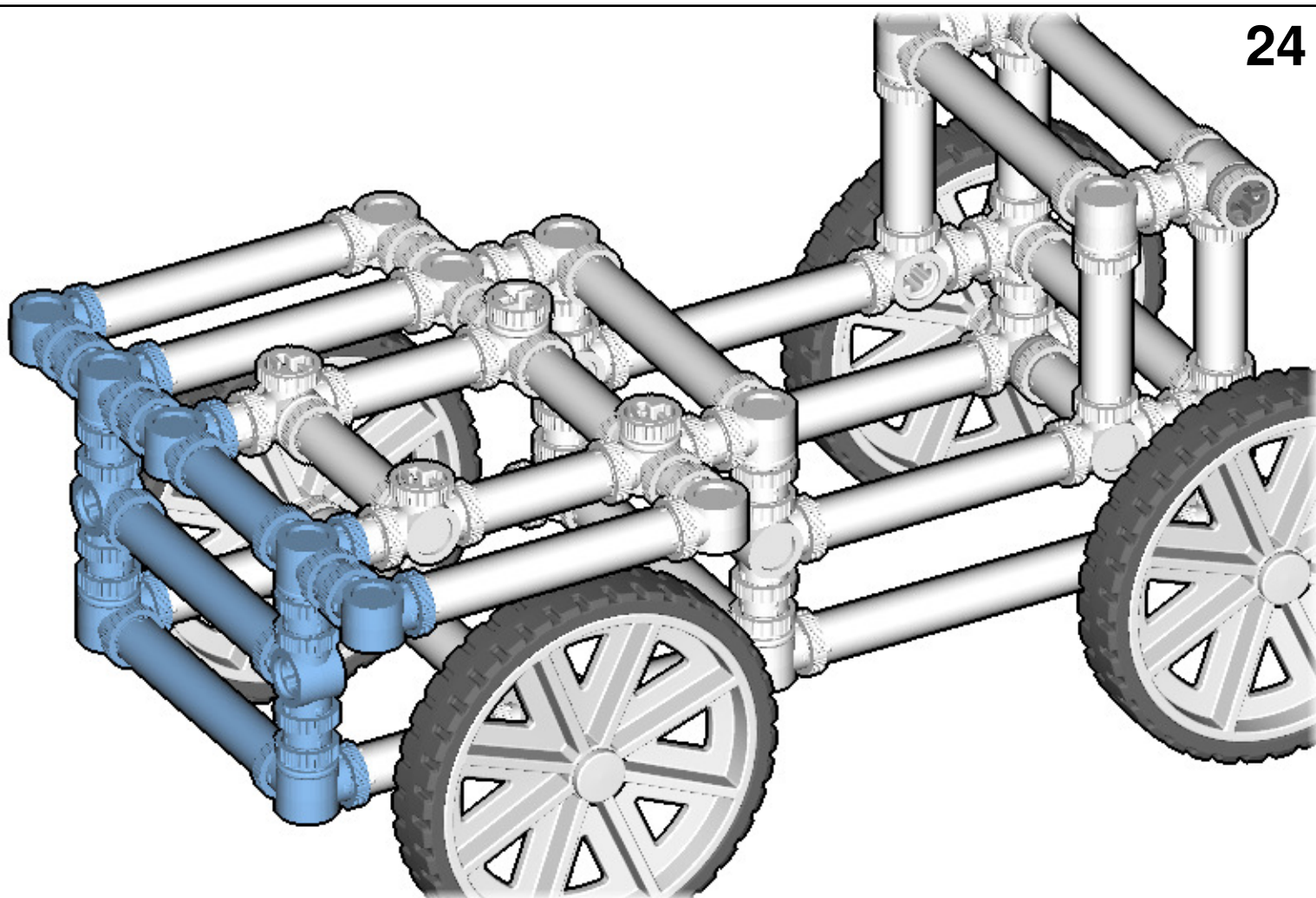
22



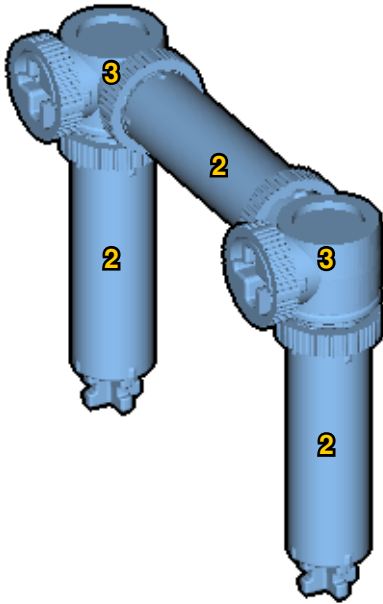
23



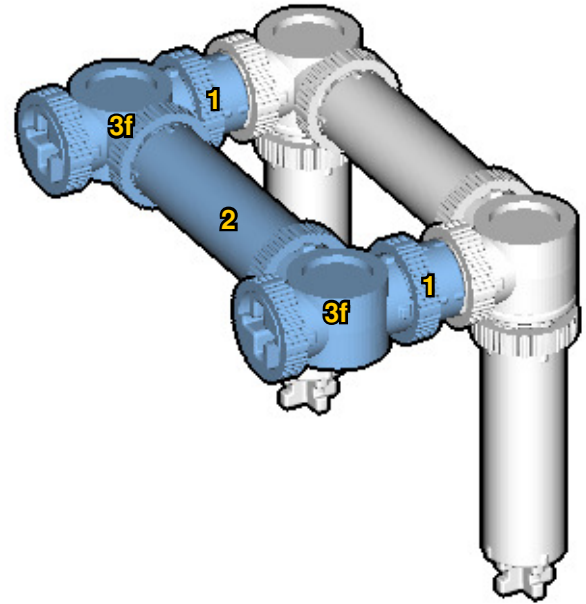
24



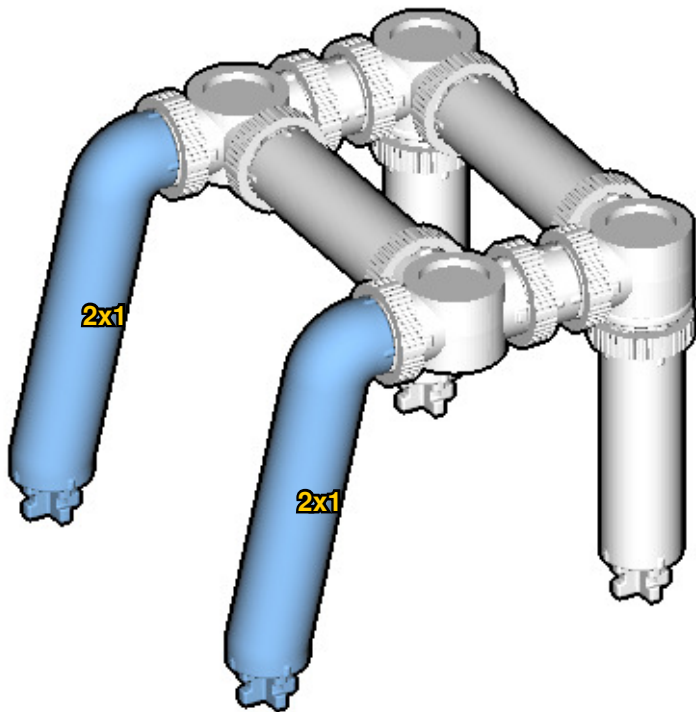
25



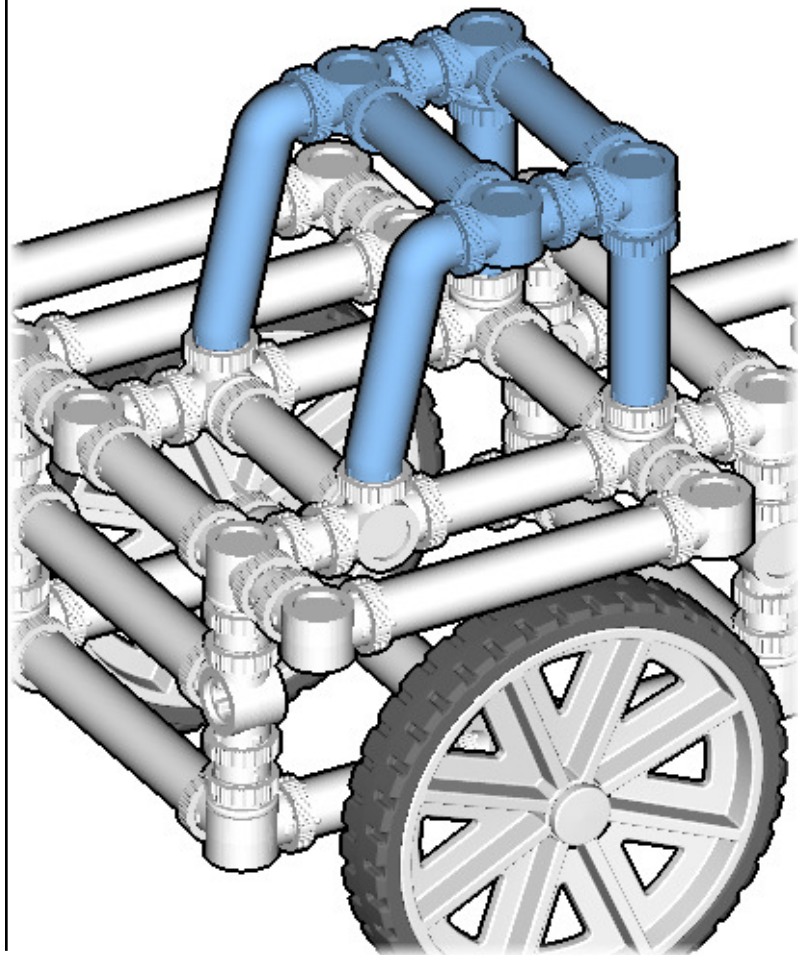
26



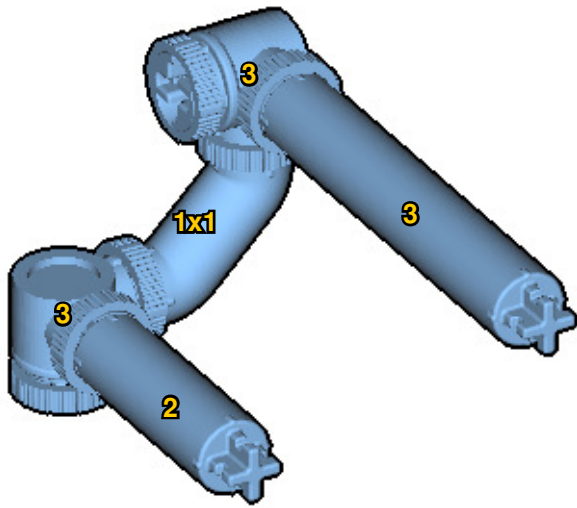
27



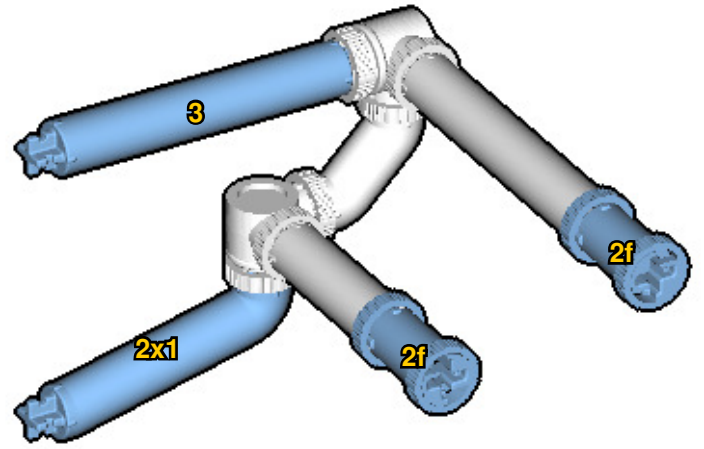
28



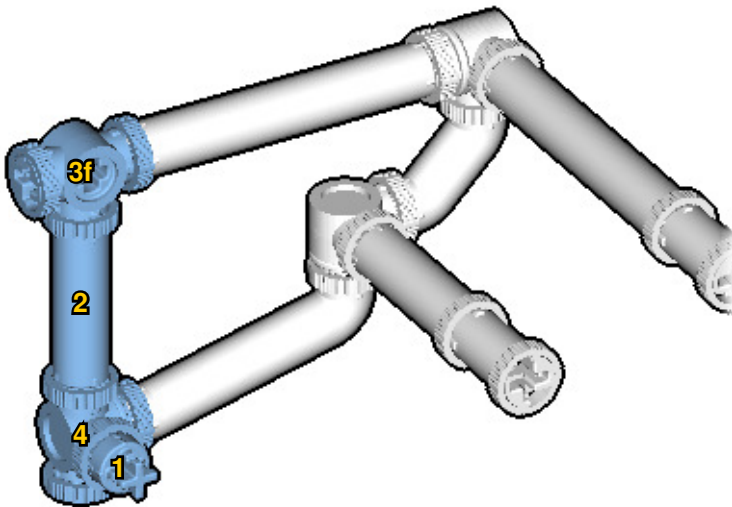
29



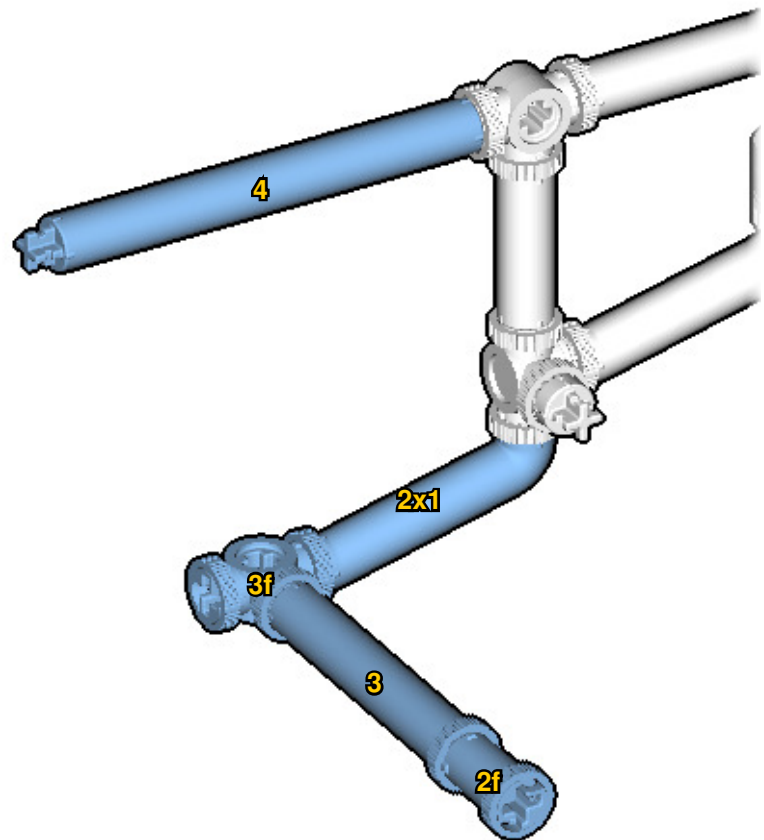
30



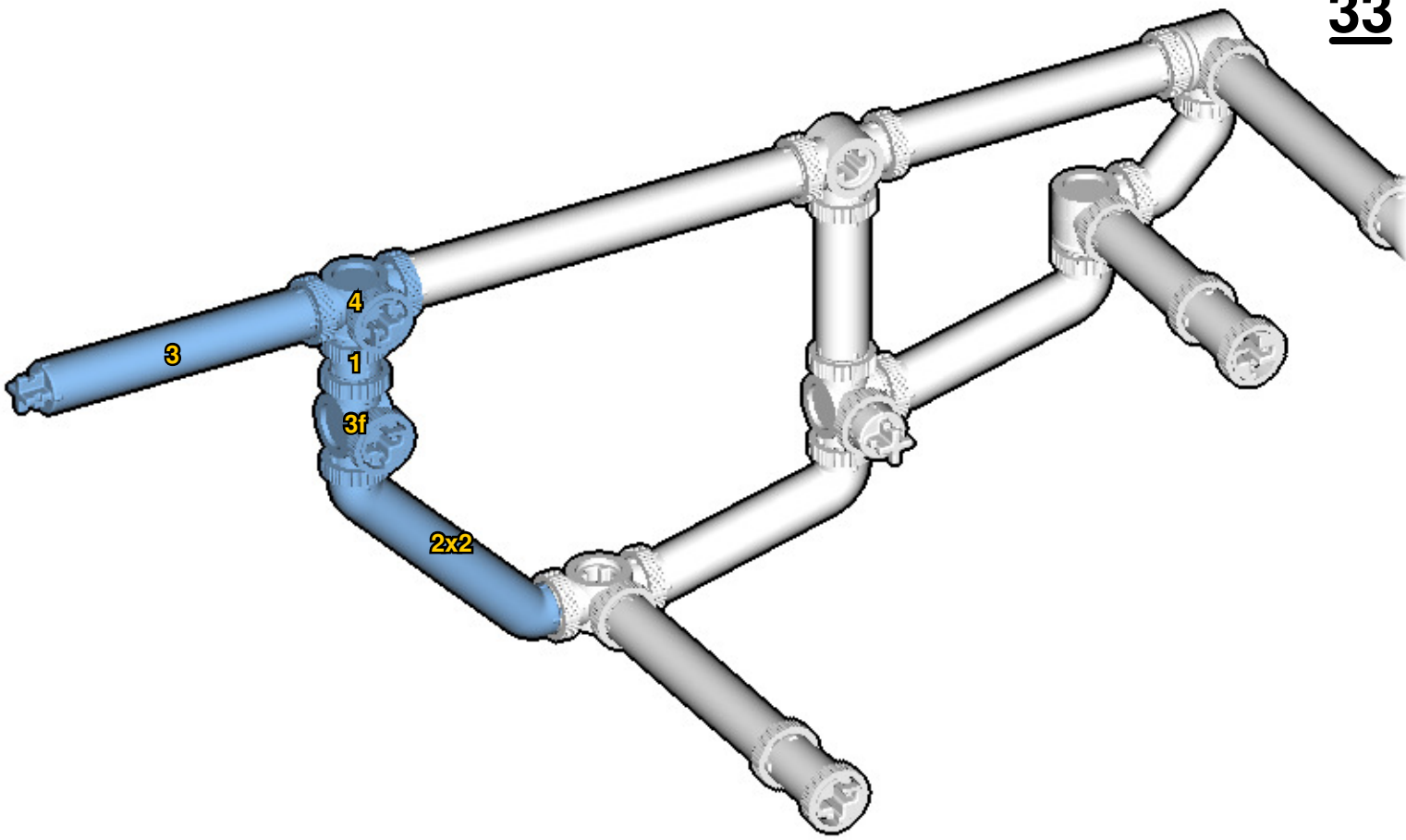
31



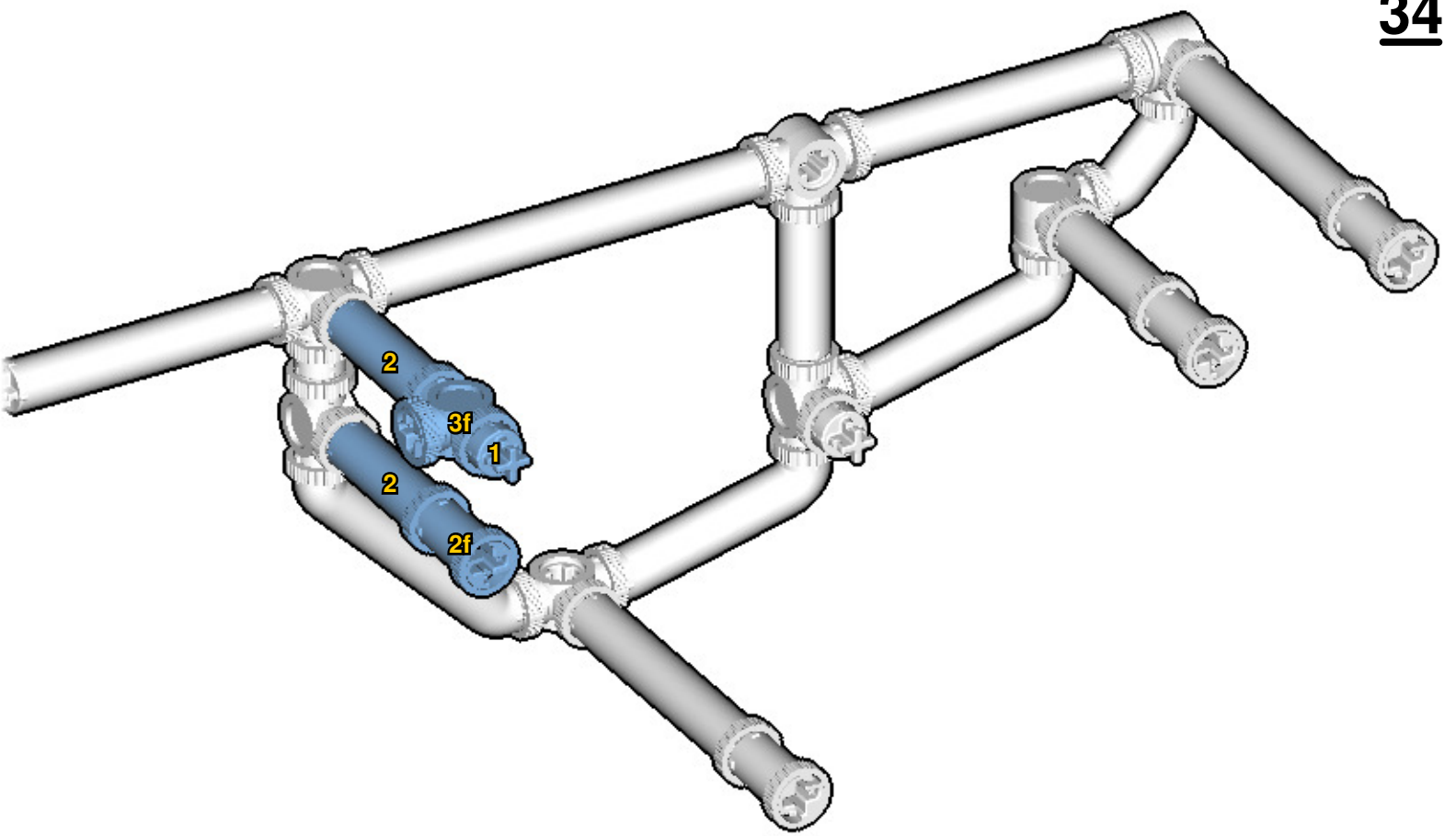
32

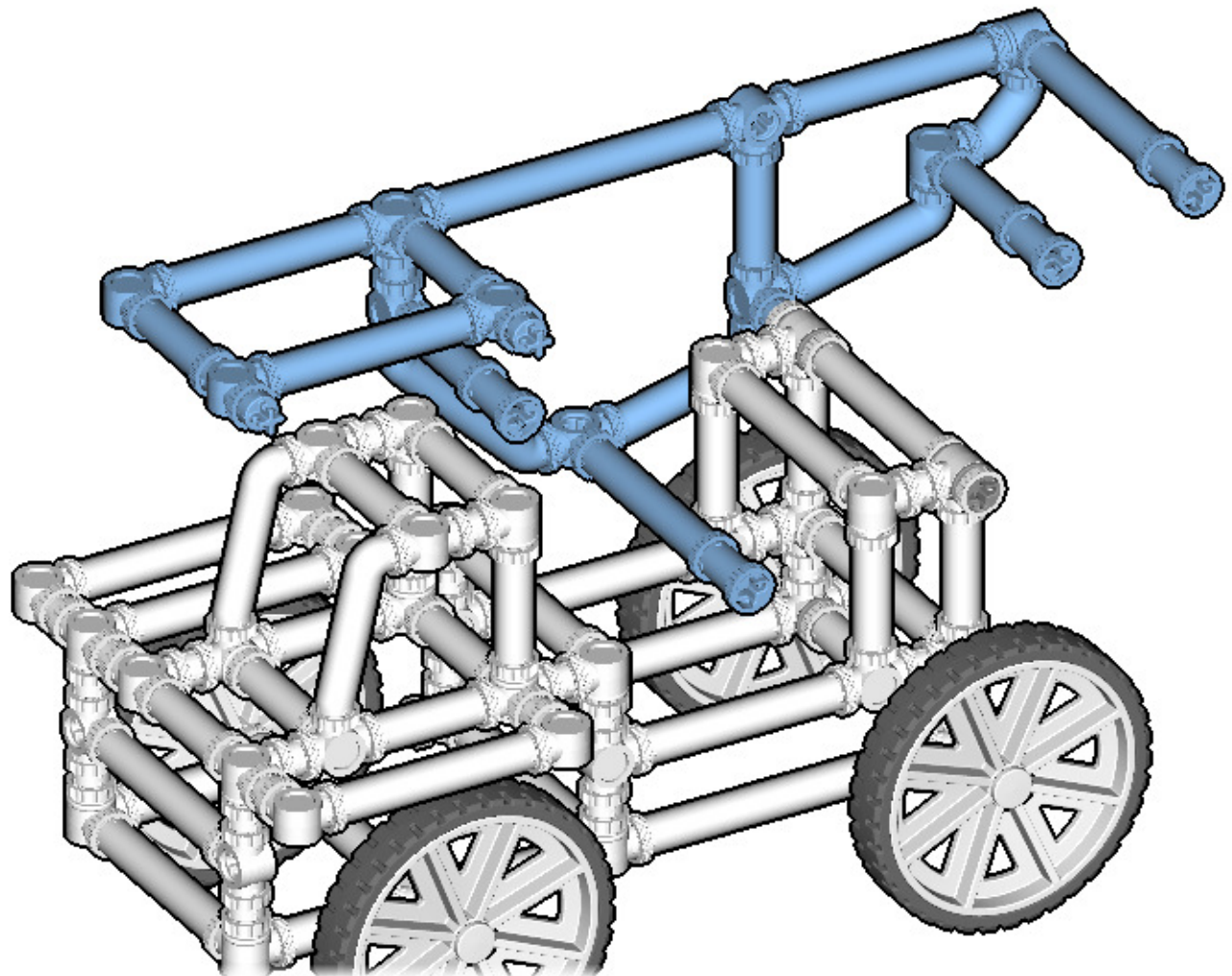
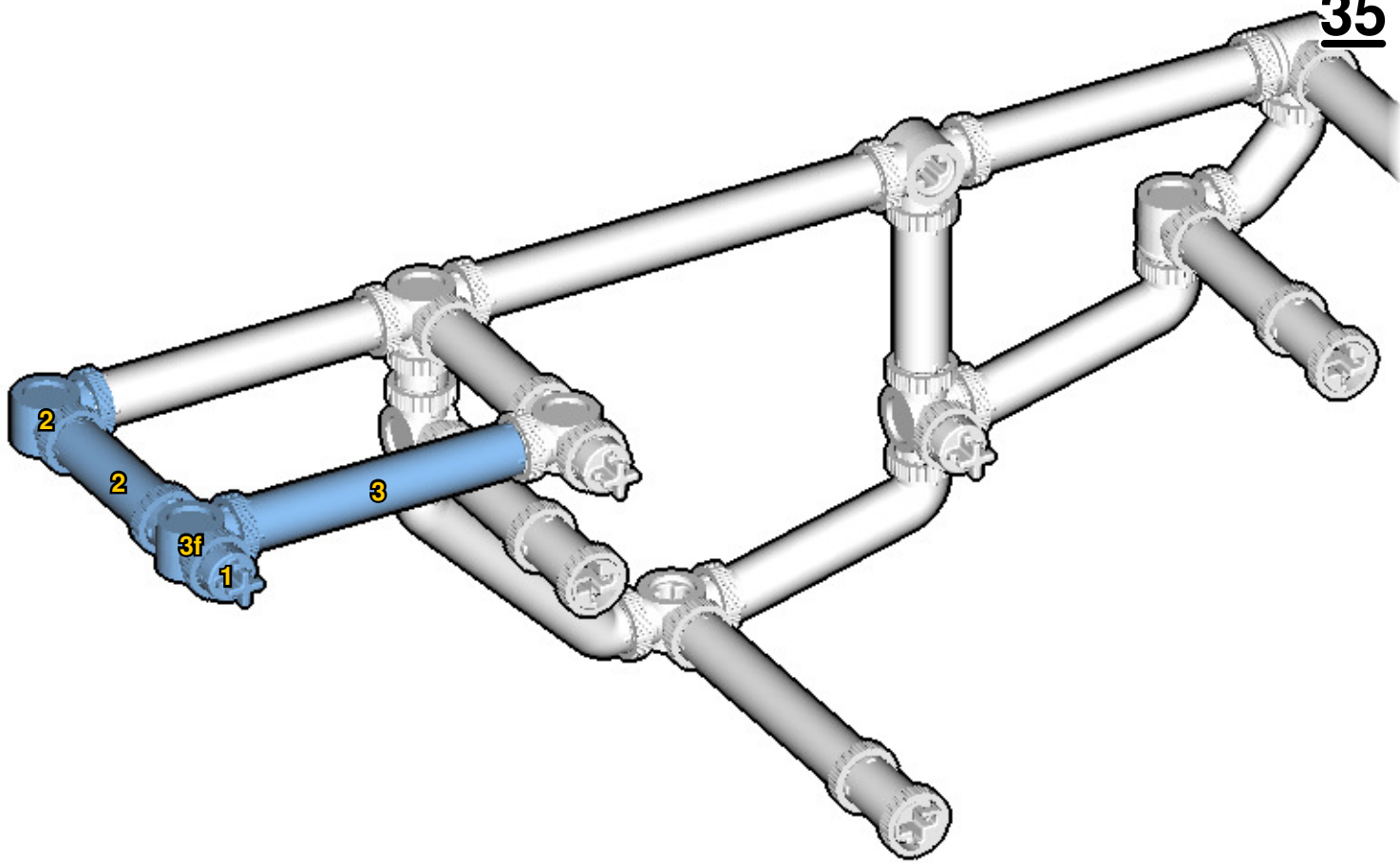


33

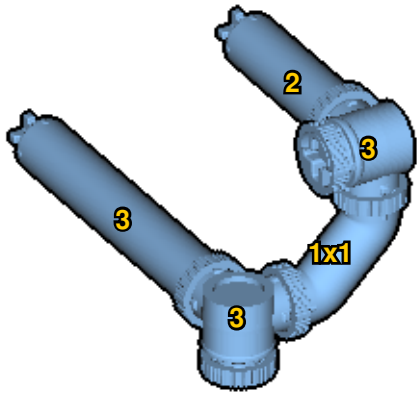


34

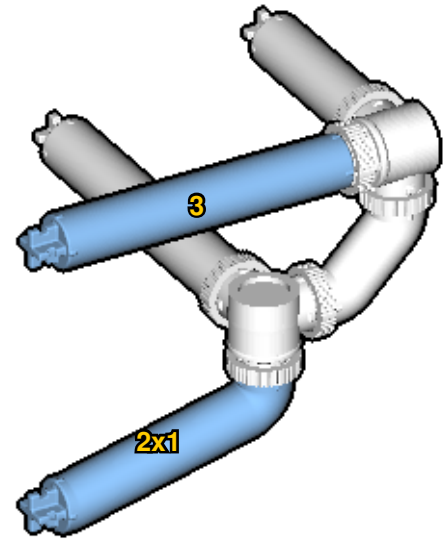




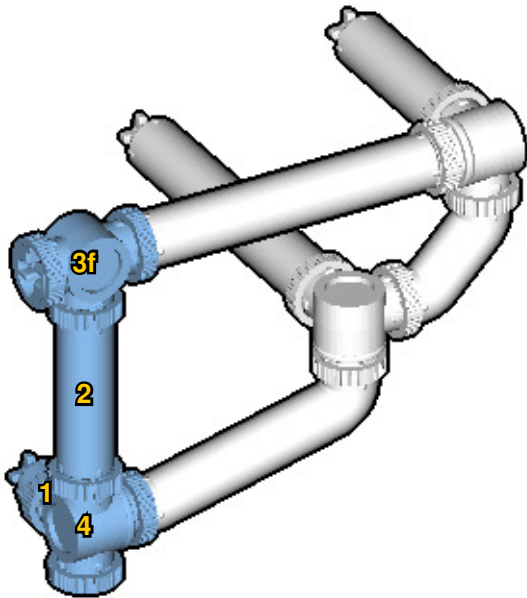
37



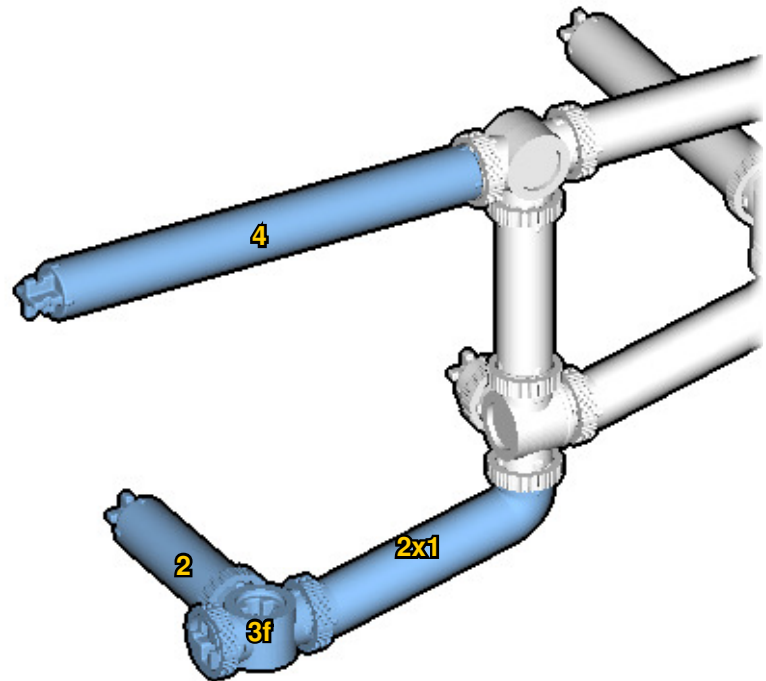
38



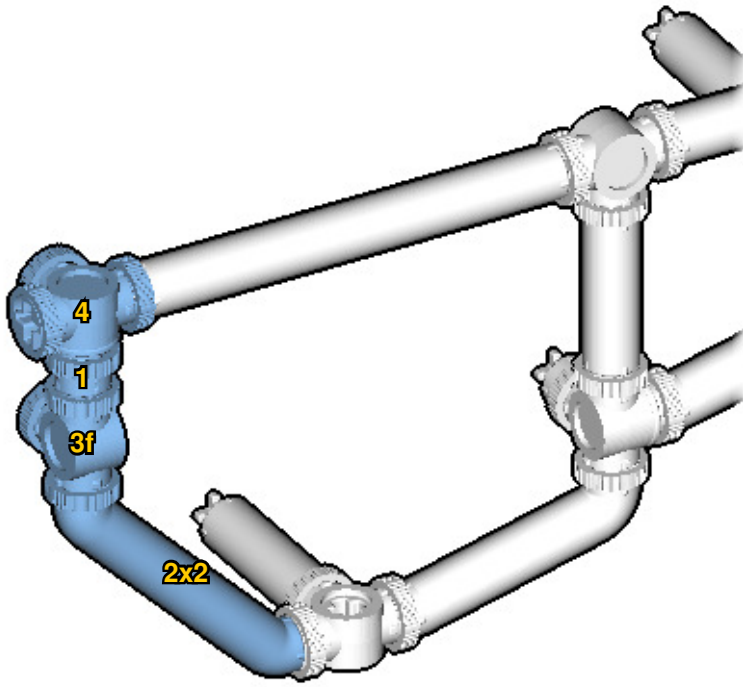
39



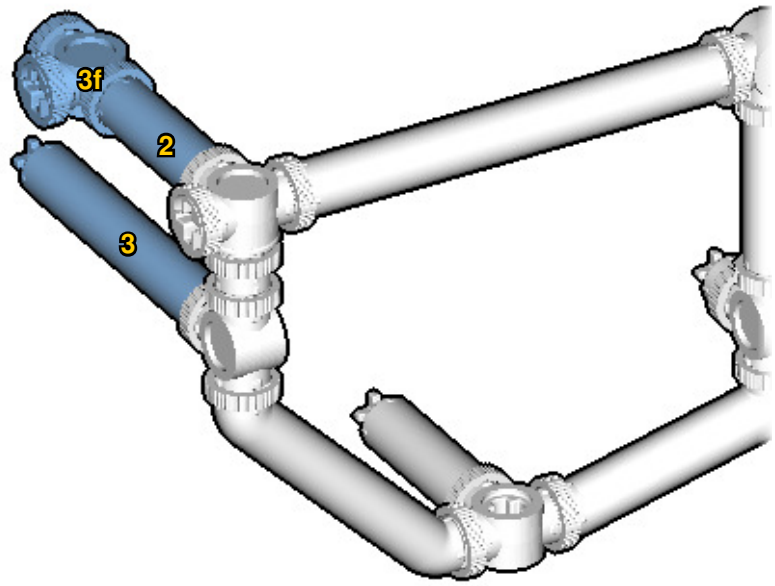
40



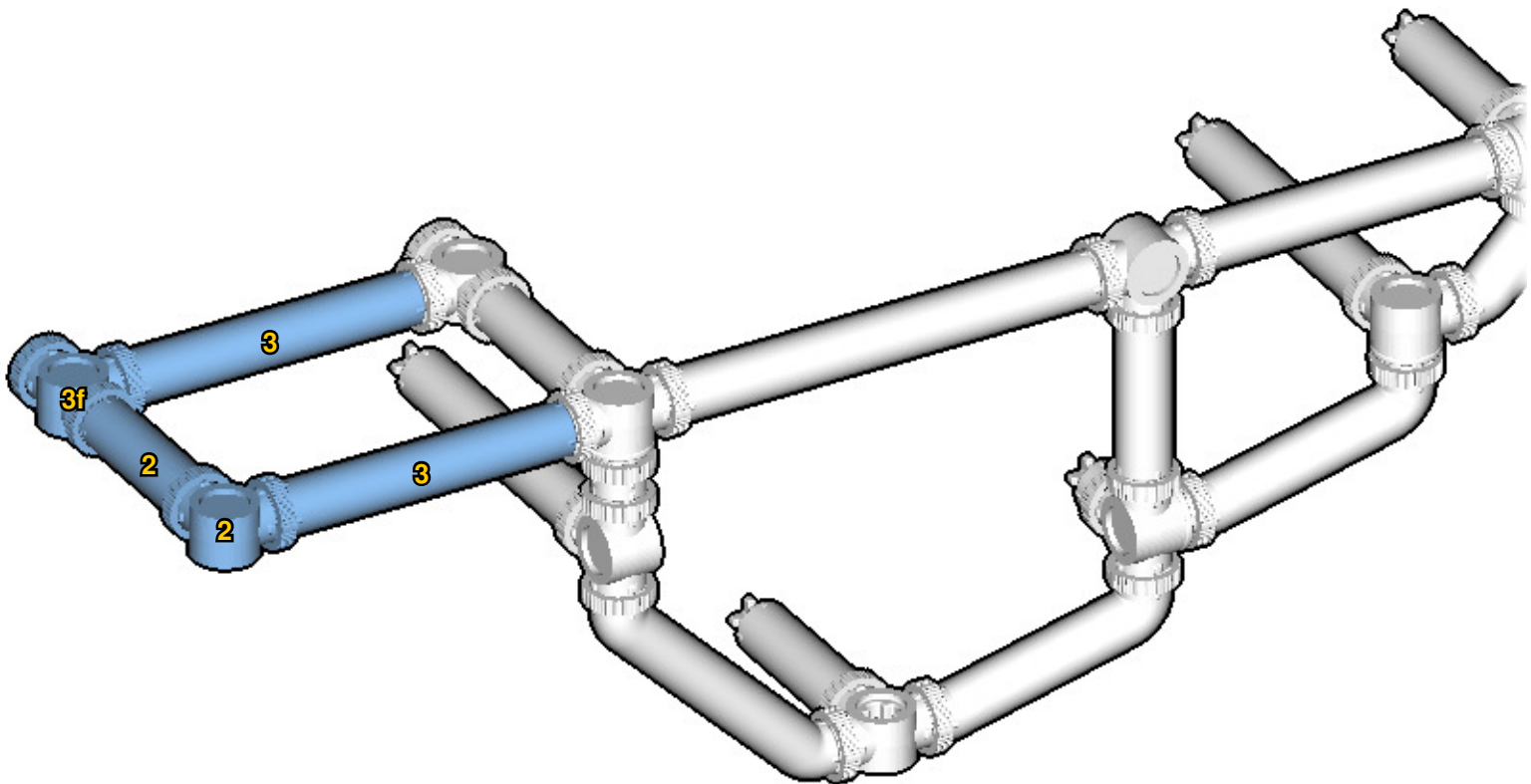
41

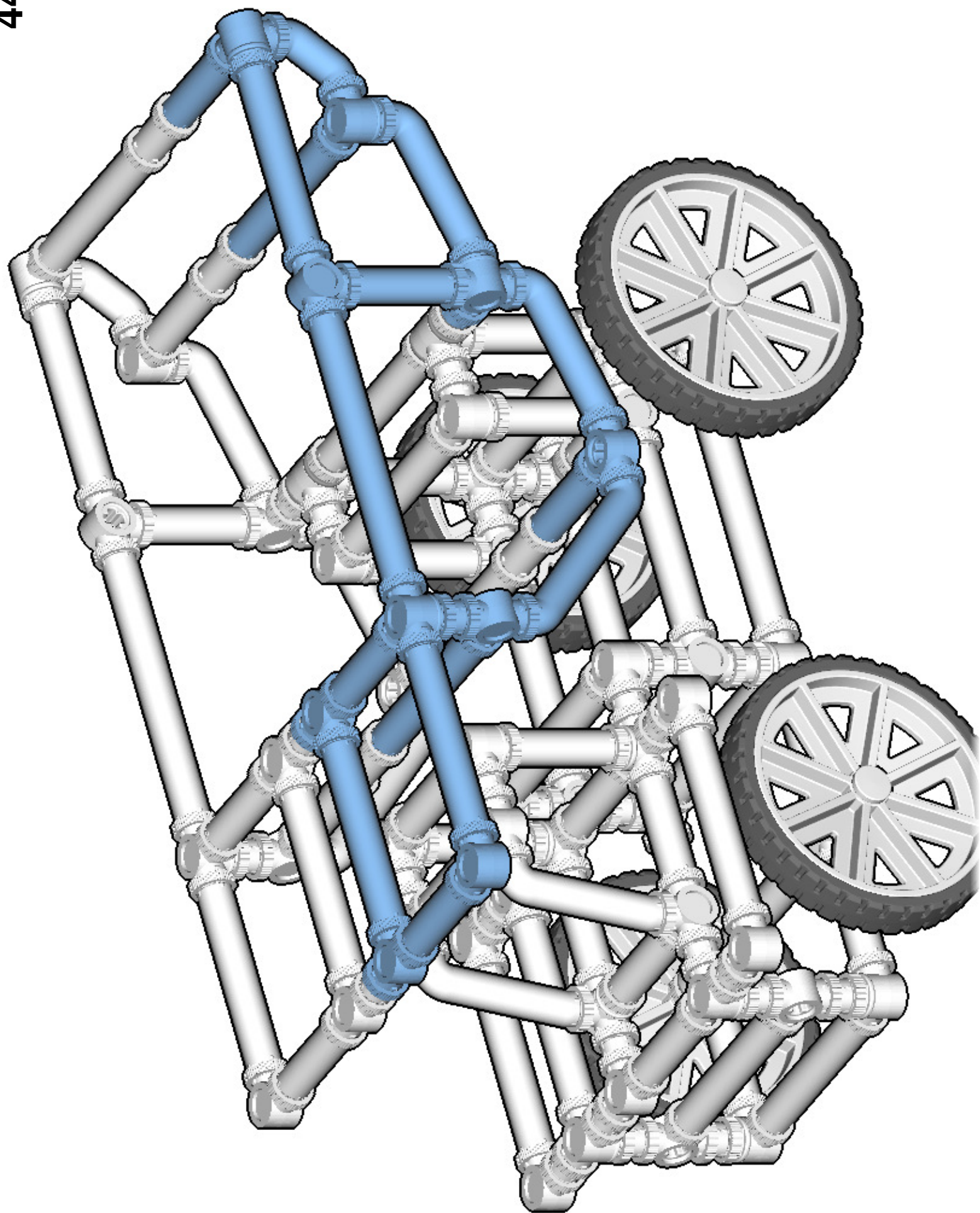


42

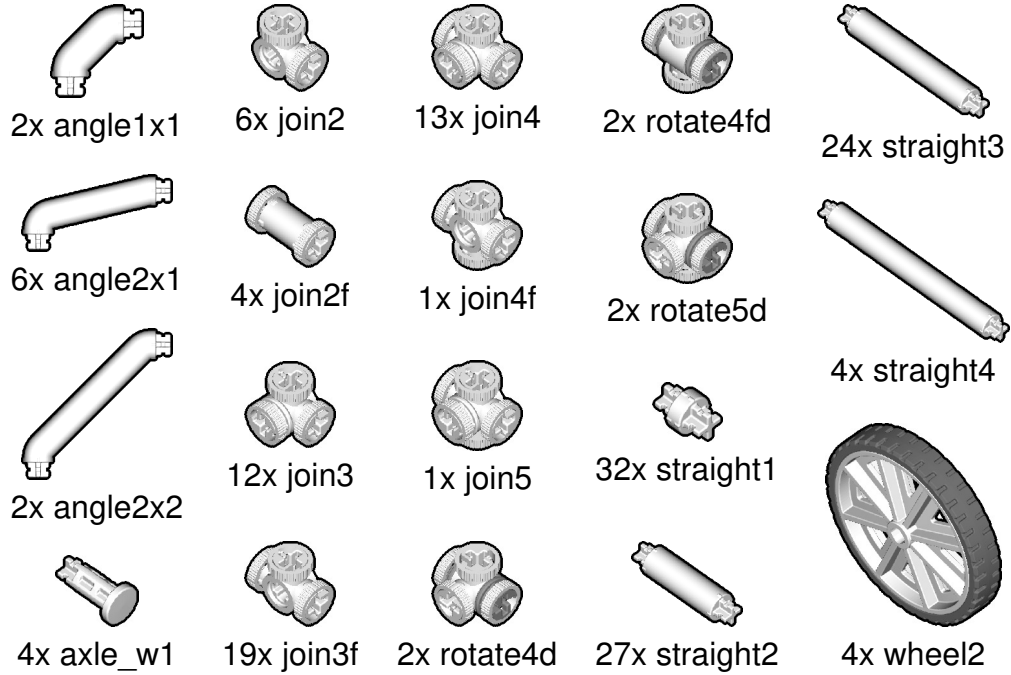


43





INVENTORY



ACTUAL SIZE

