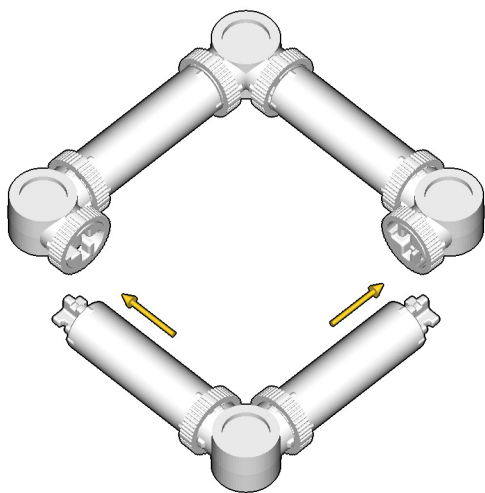


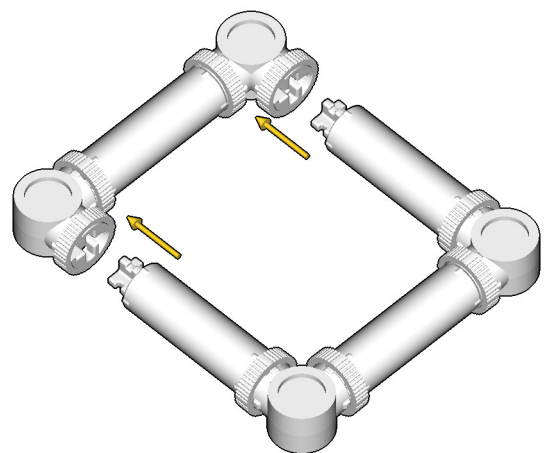
SIZE	1.2ft x 0.9ft x 0.4ft	PIECES	122
DESIGNER	Charles Sharman	MADE IN	U.S.A.

FIGHTER JET

⚠ WARNING: Small parts. Age 12+. Handle responsibly. U.S. Patent 9,086,087.

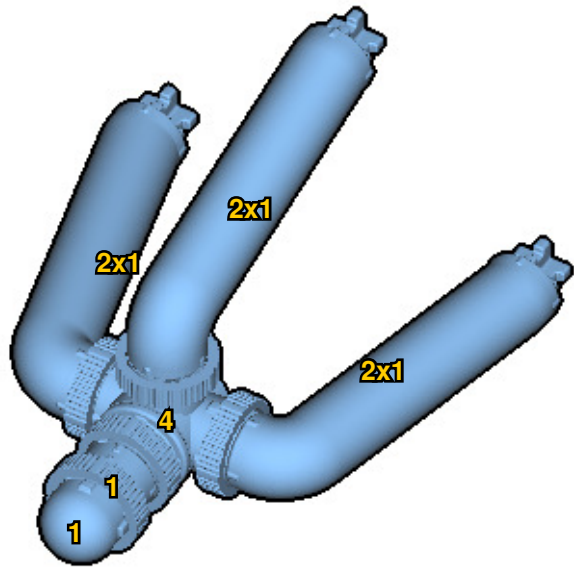


Wrong
Connecting/Disconnecting Two Directions



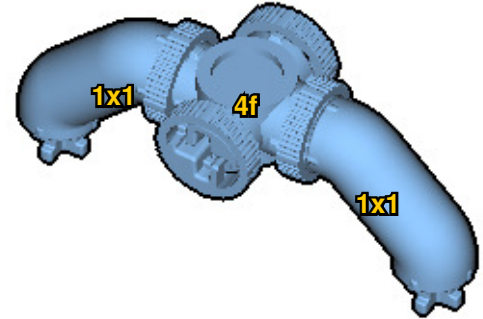
Right
Connecting/Disconnecting One Direction

1

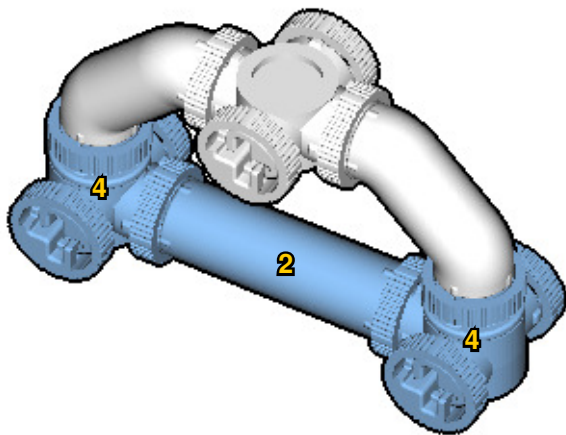


New pieces are drawn blue. Old pieces are drawn white.
See back for piece names.

Submodel begins → **2**

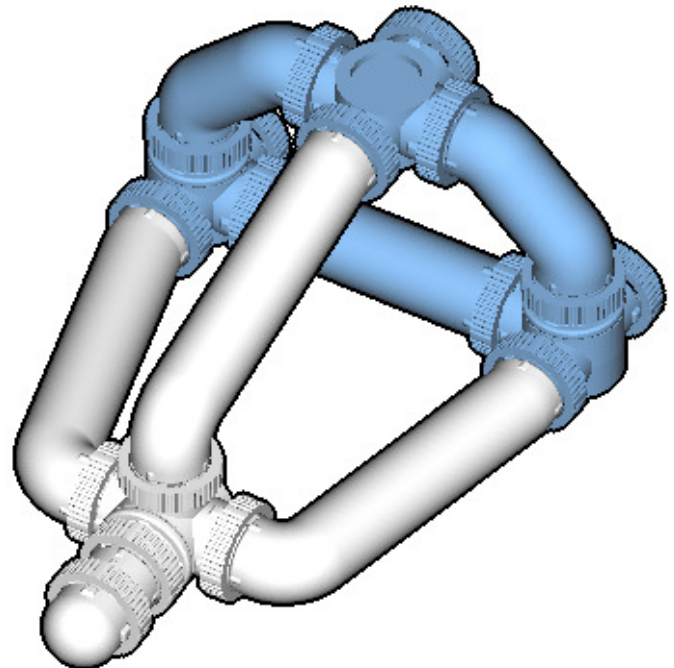


3



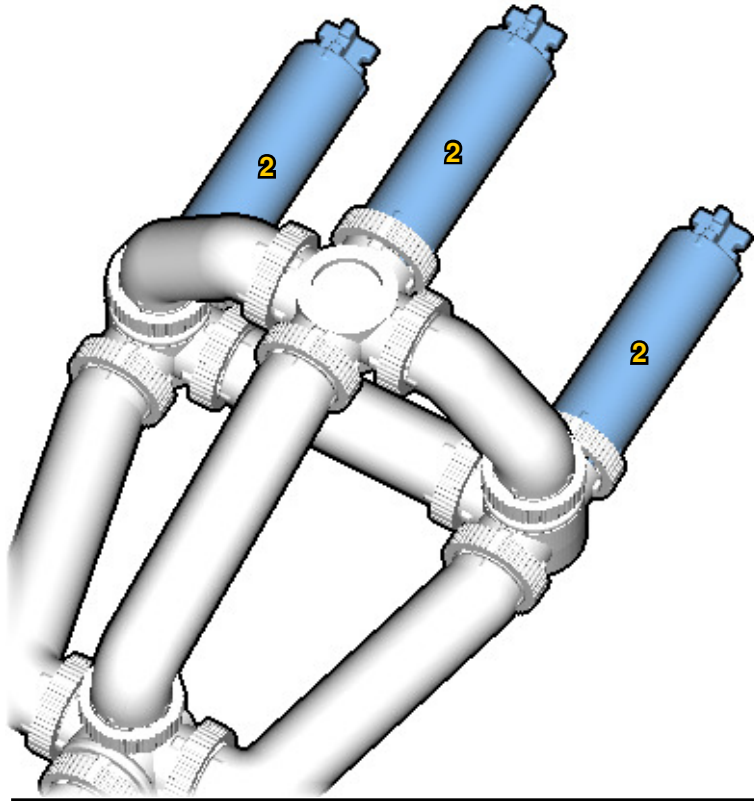
Connect new pieces together before connecting to old pieces.

Submodel ends → **4**

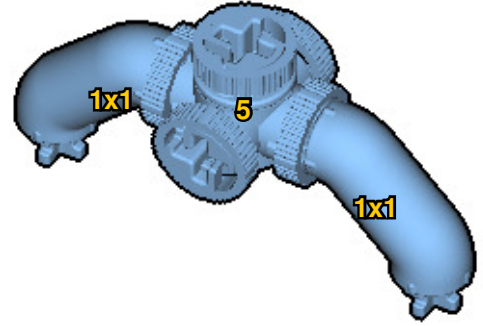


Connect submodel to model.

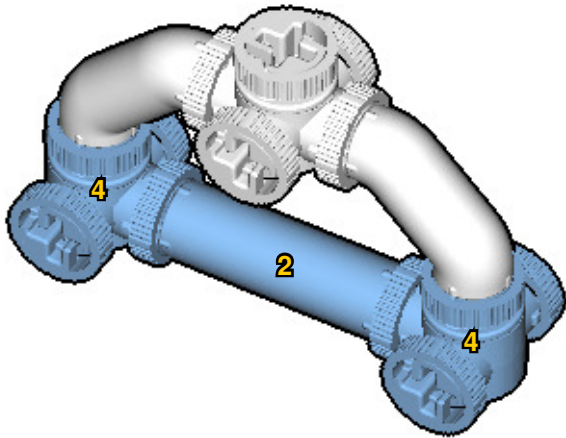
5



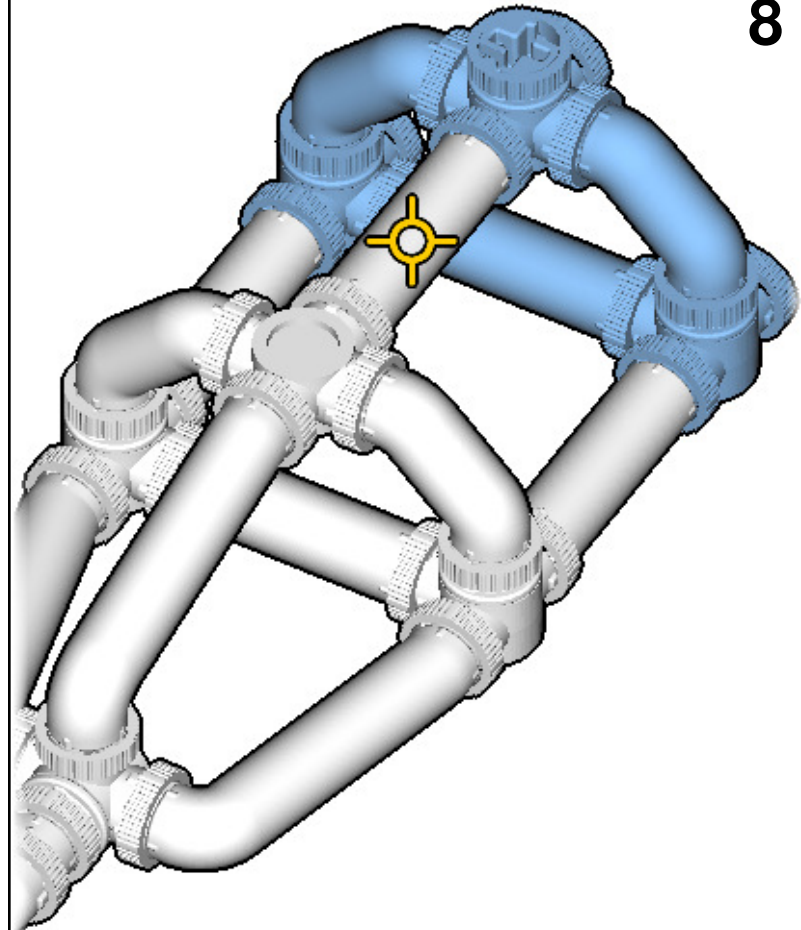
6



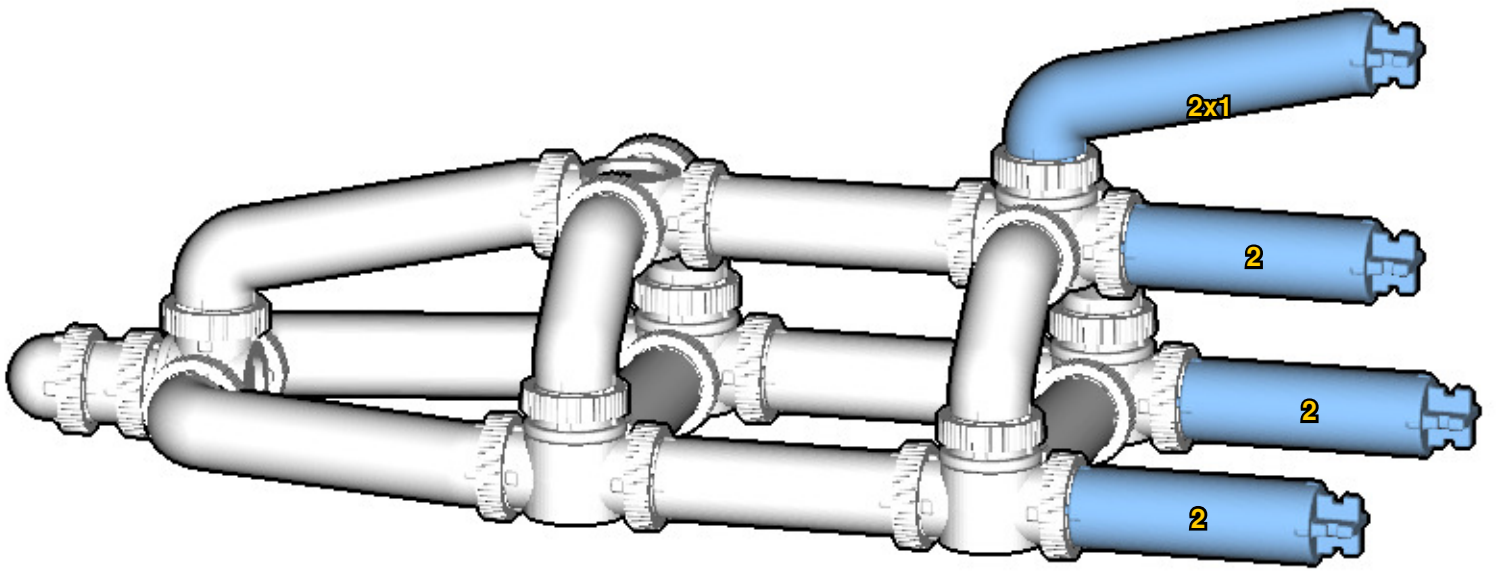
7



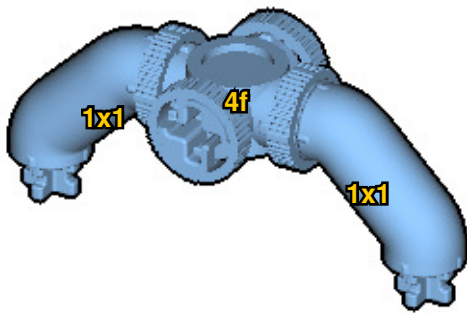
8



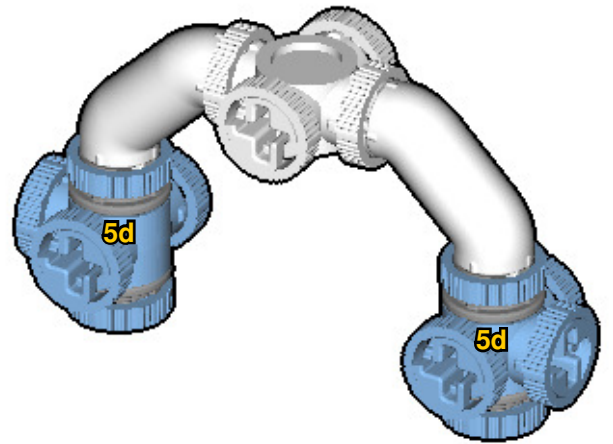
✚ : The next frame is centered on this piece.



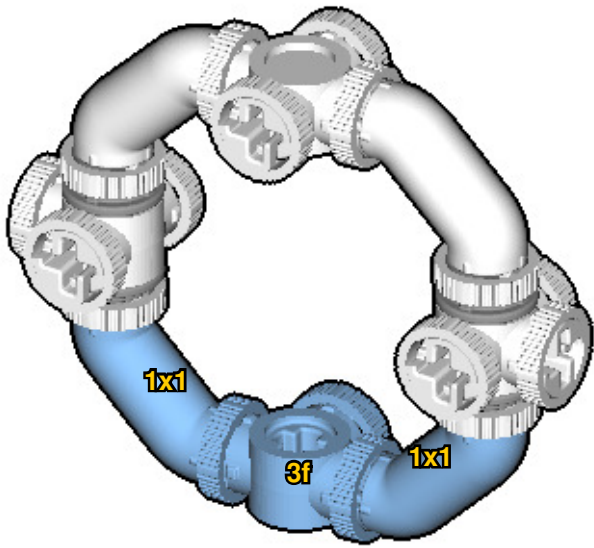
10



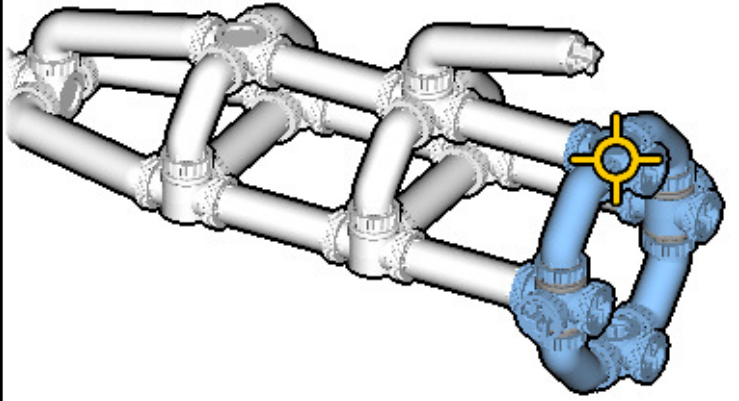
11



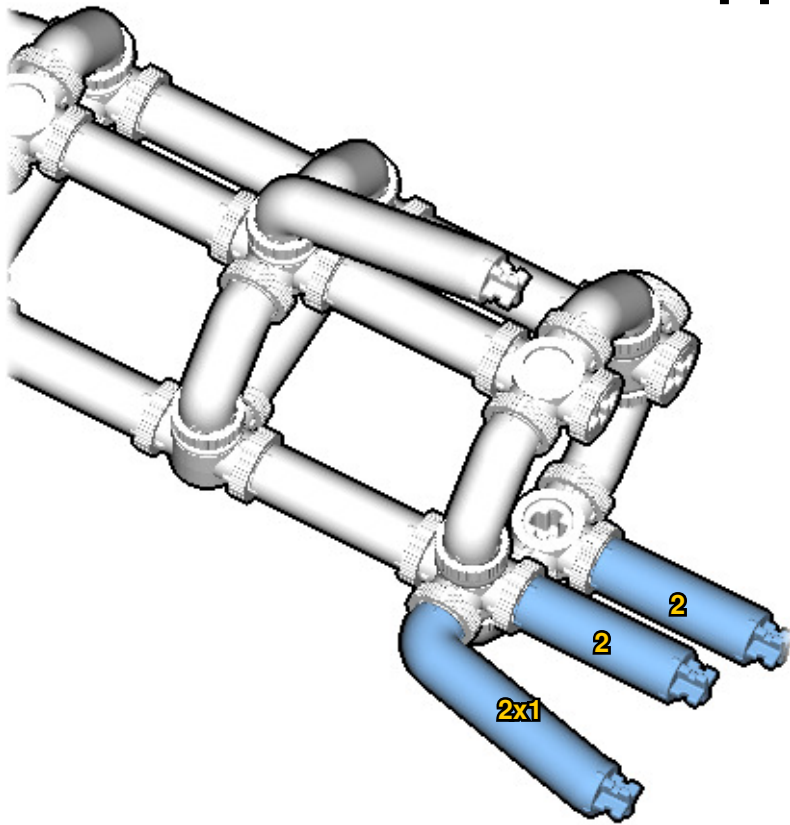
12



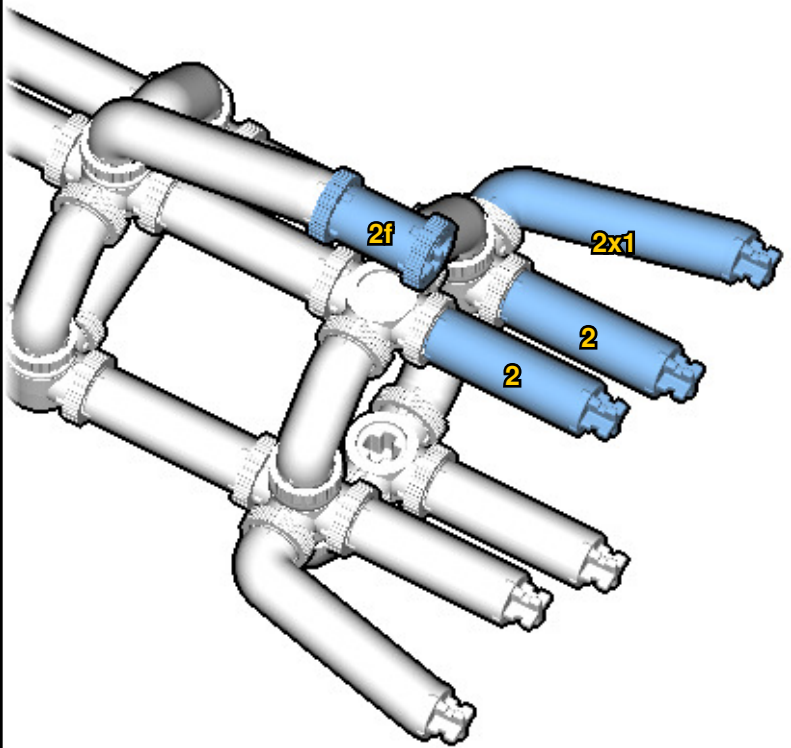
13



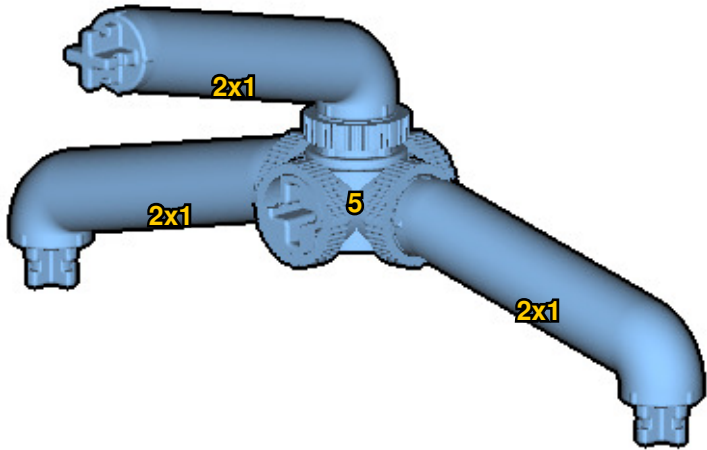
14



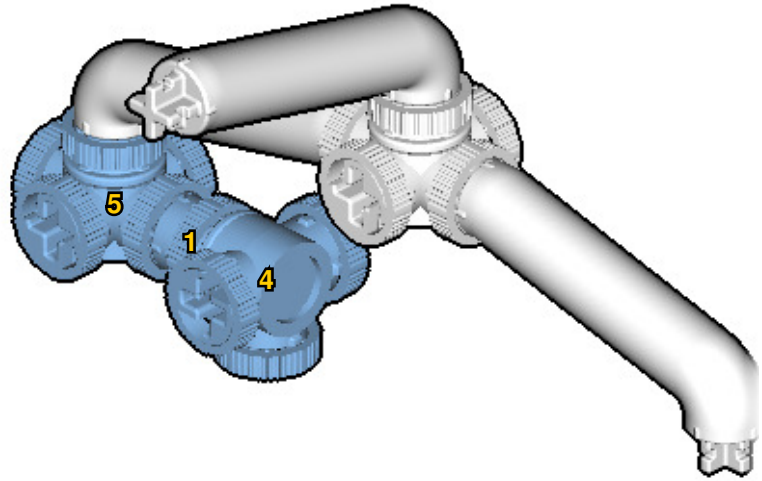
15



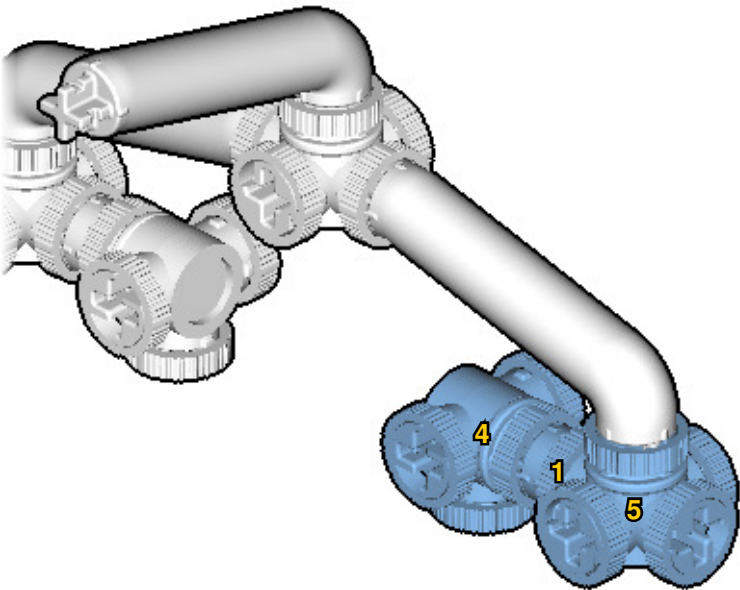
16



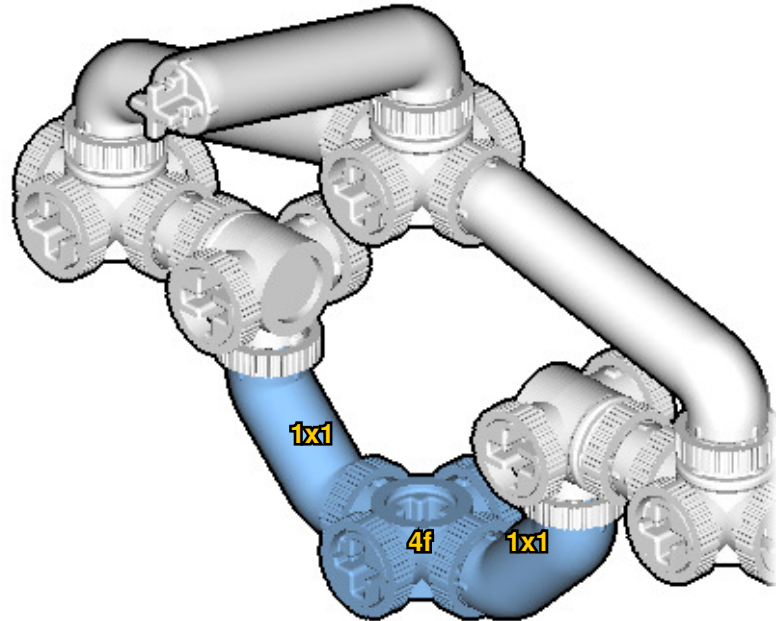
17

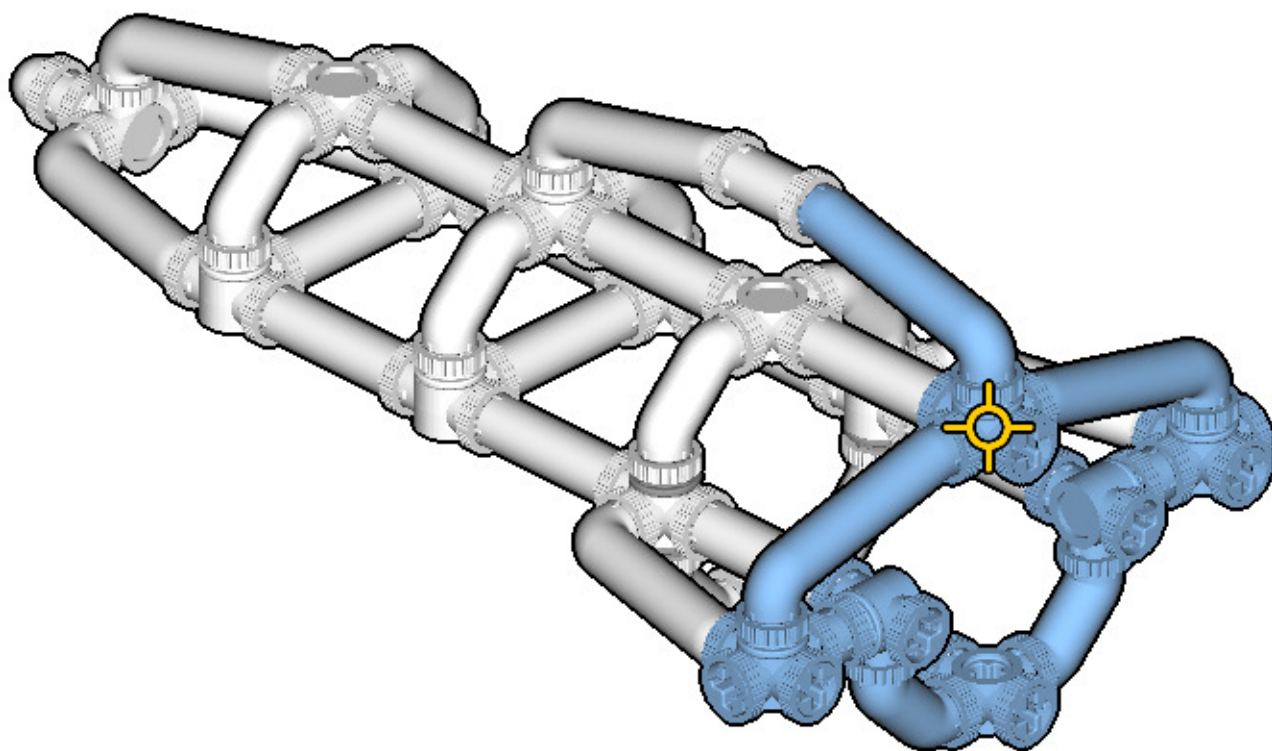


18

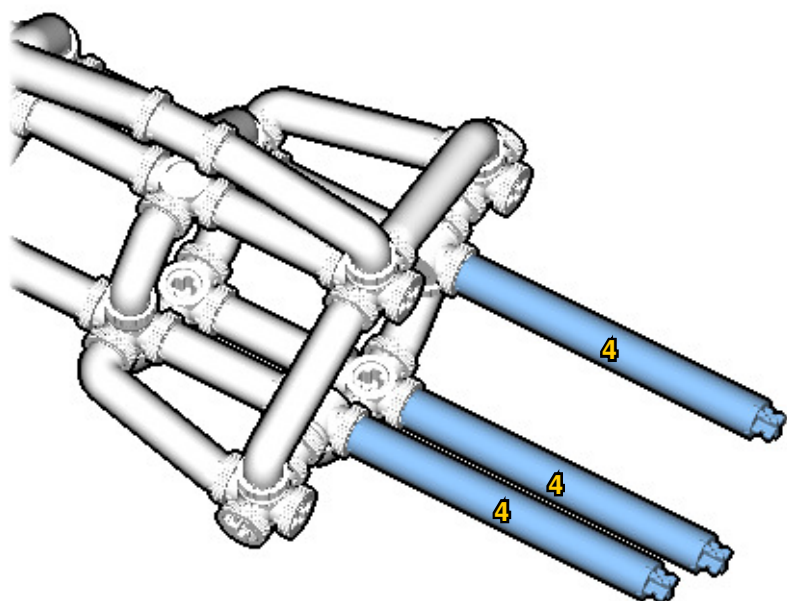


19

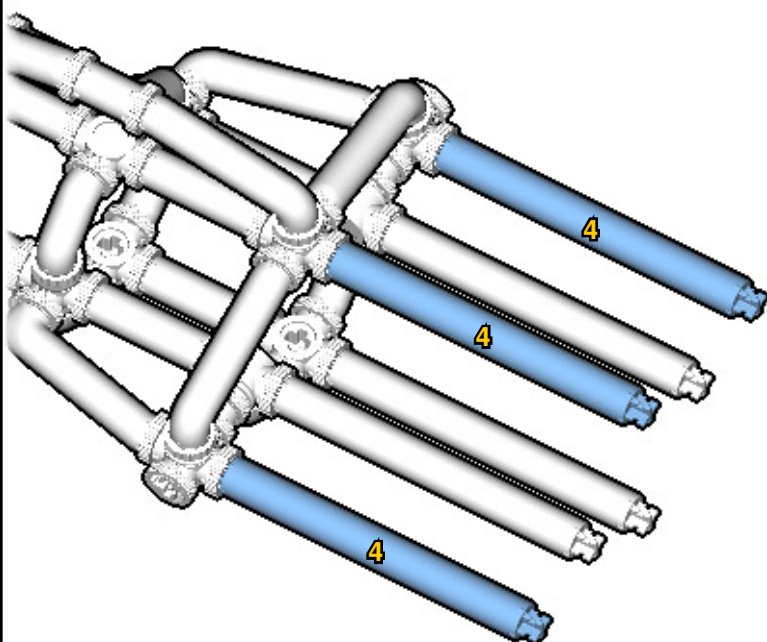




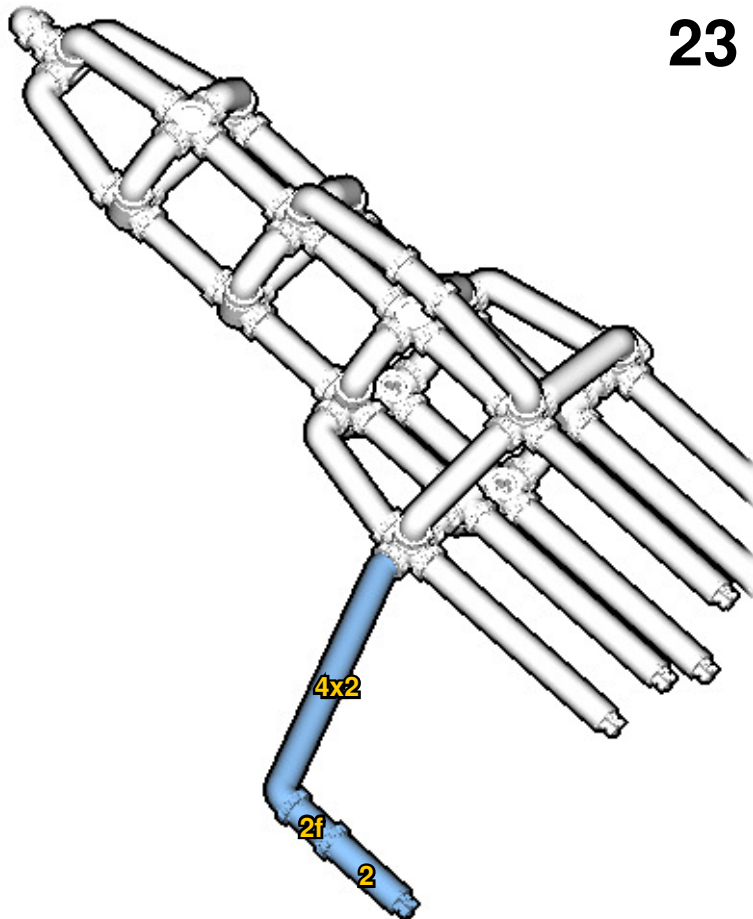
21



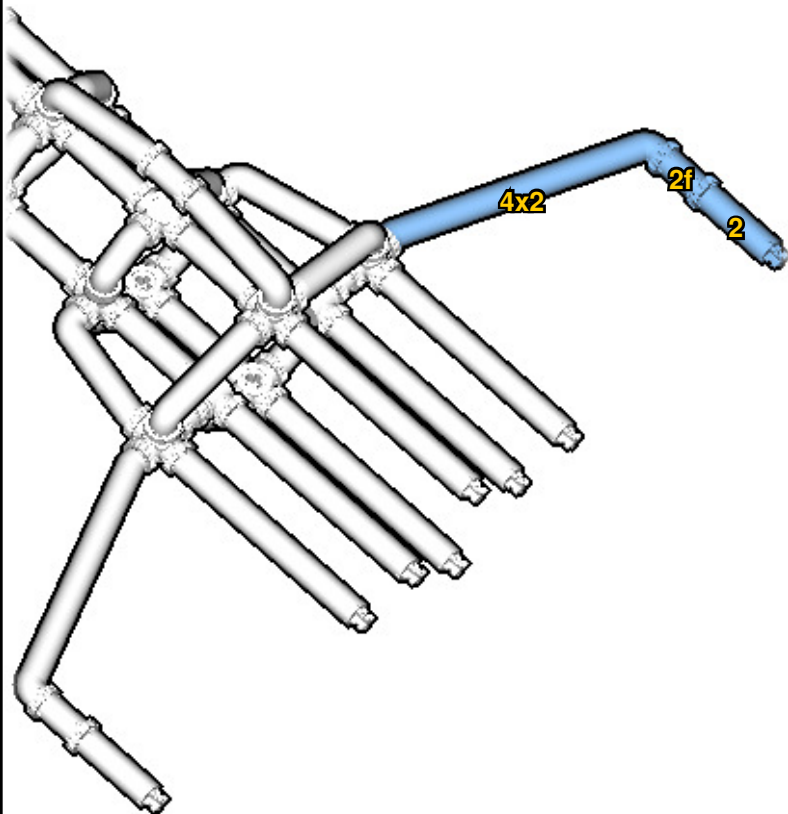
22



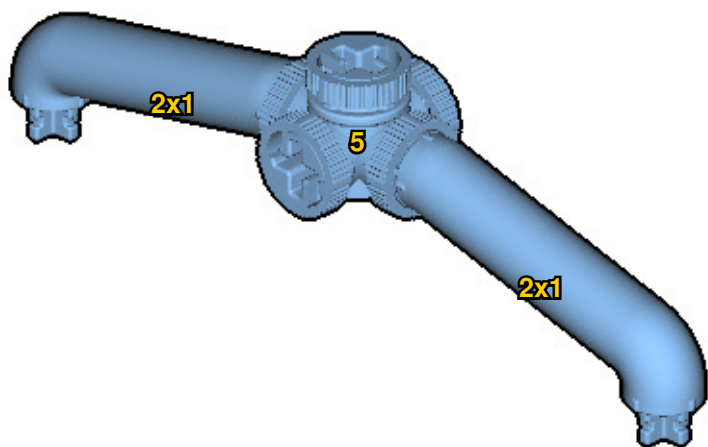
23



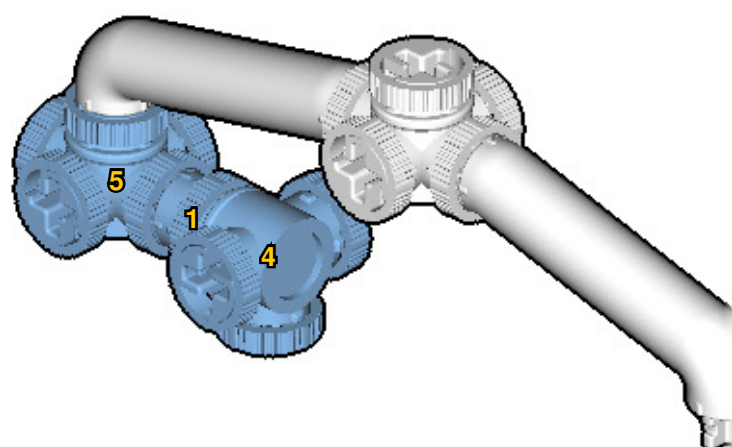
24



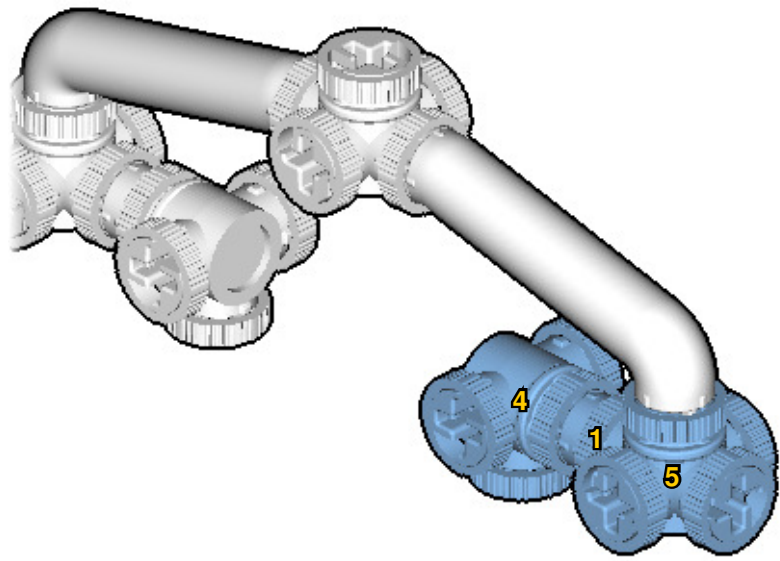
25



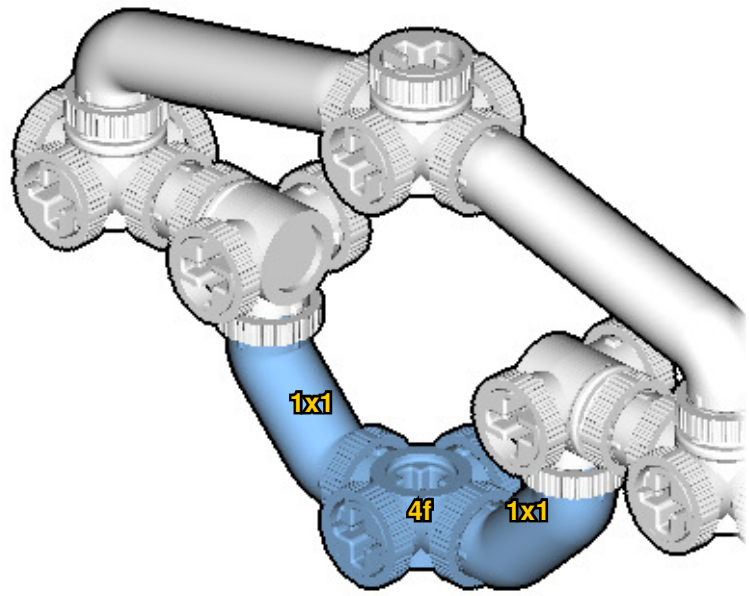
26



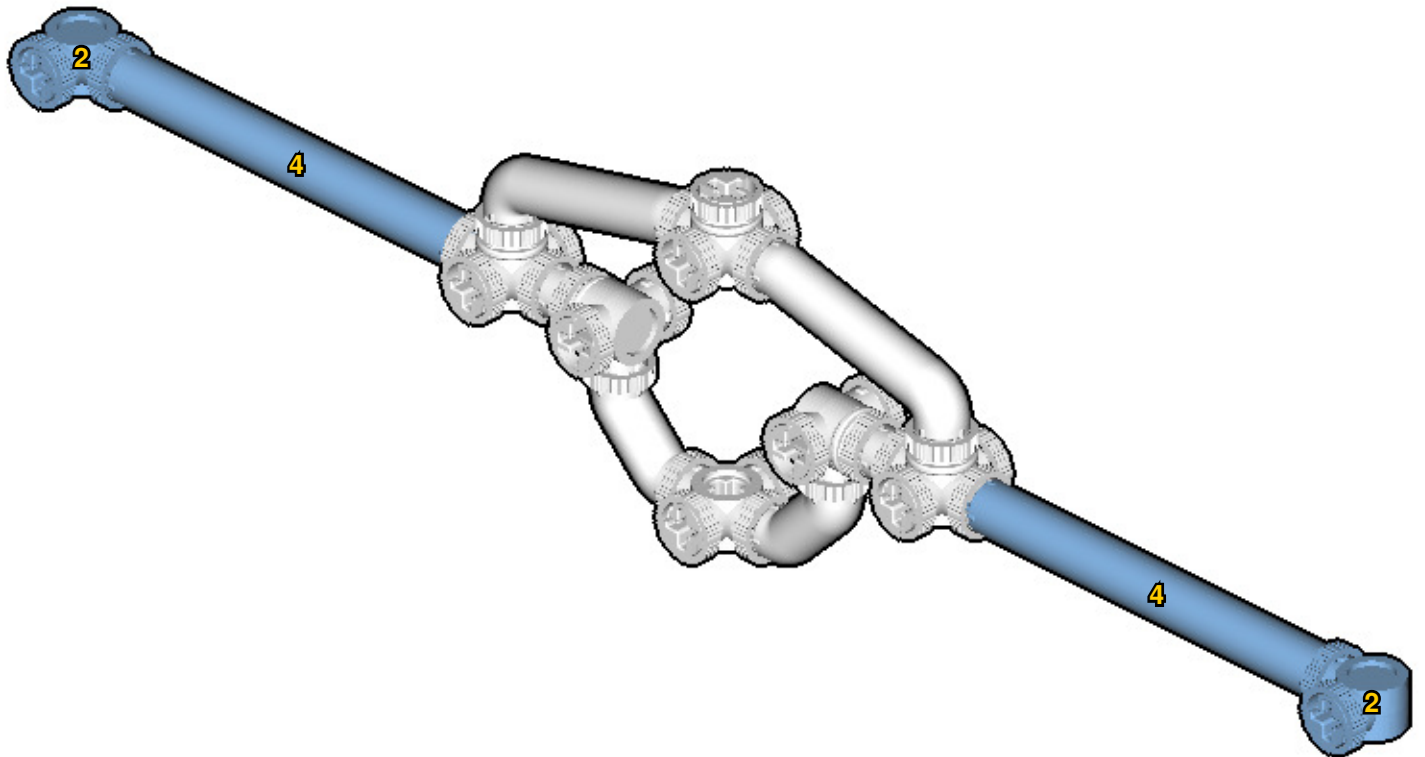
27



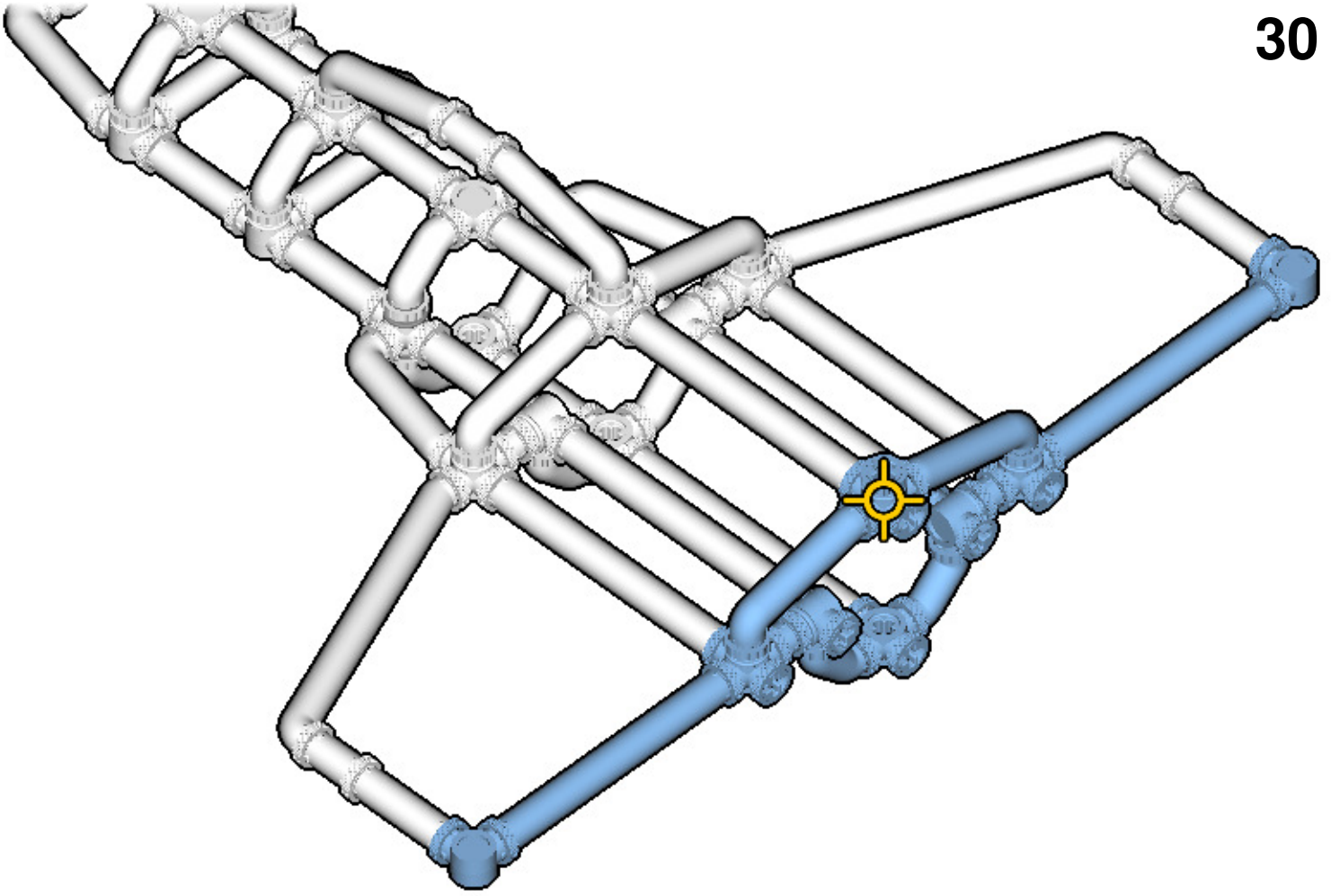
28



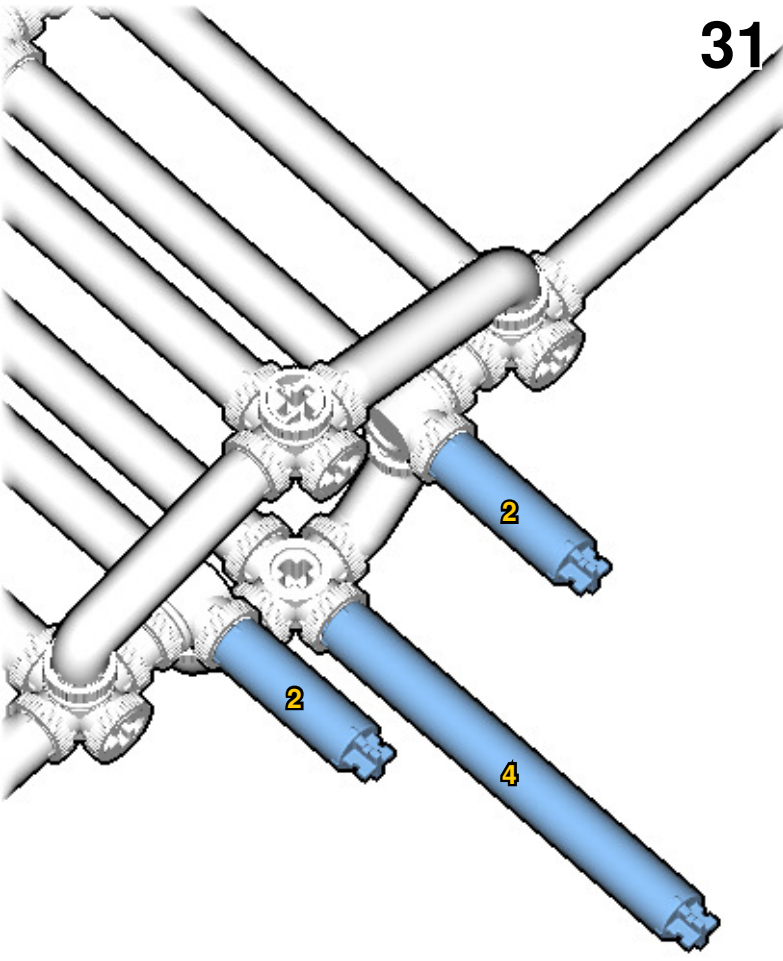
29



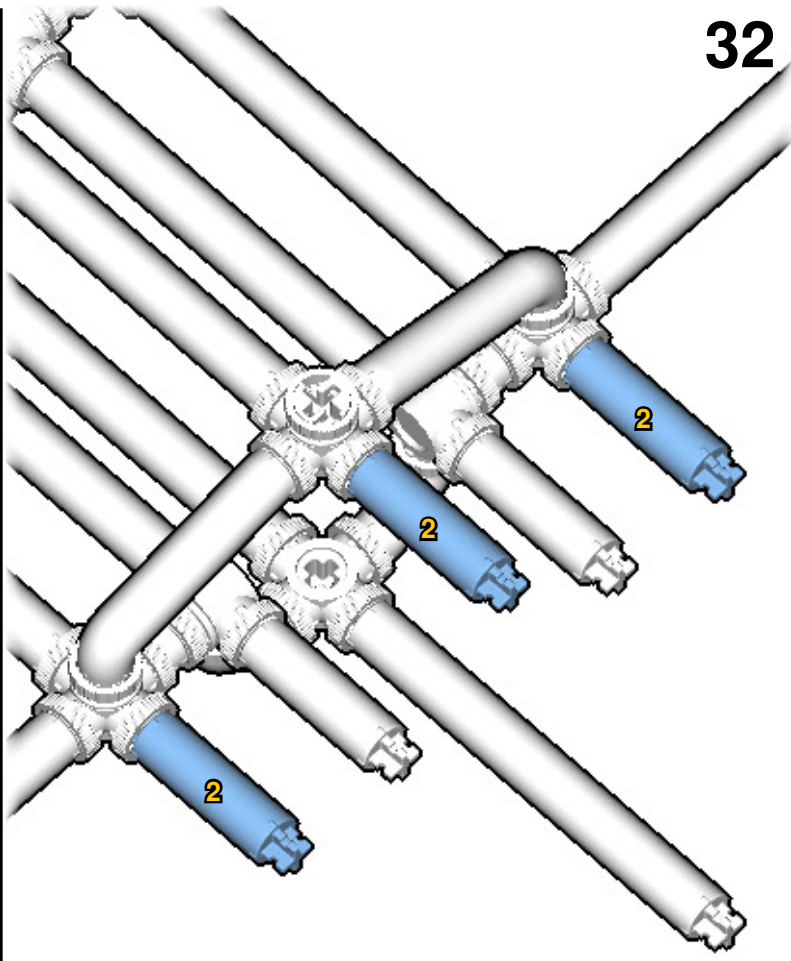
30



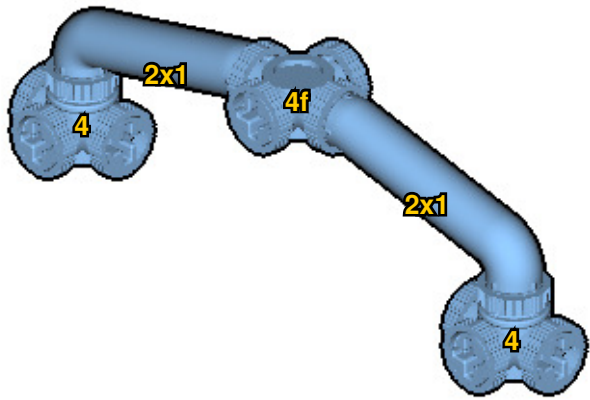
31



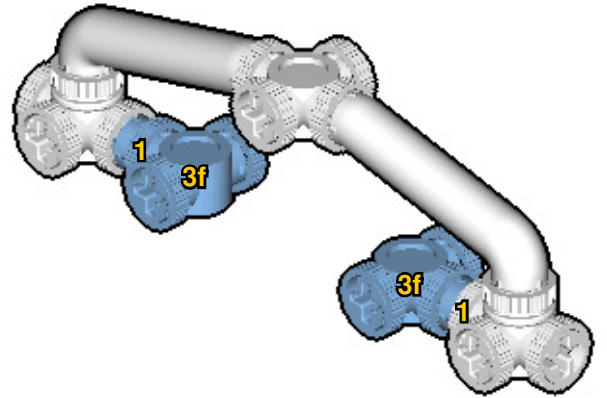
32



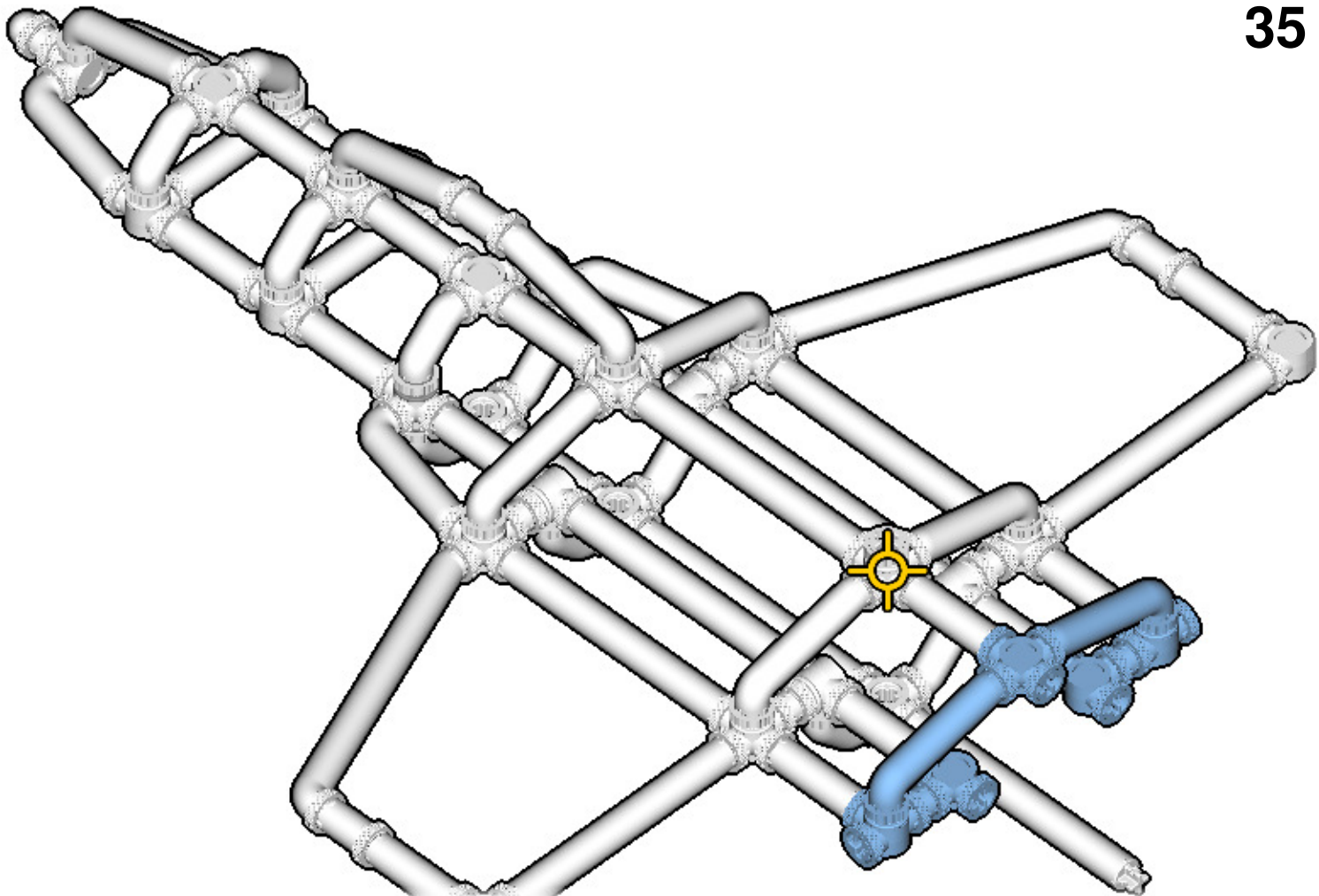
33



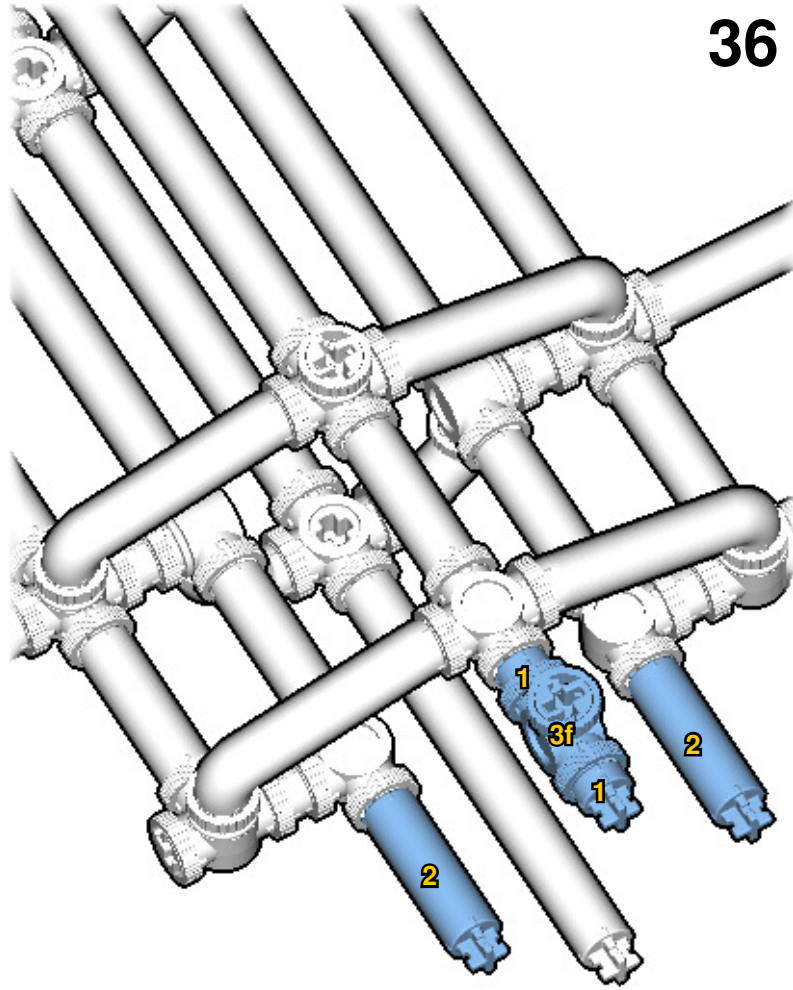
34



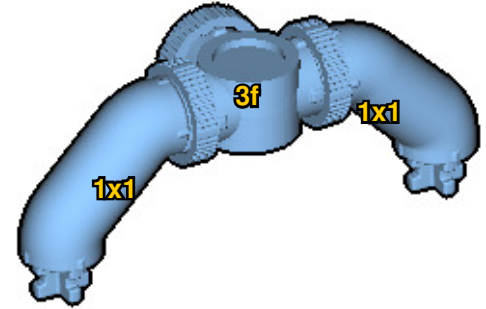
35



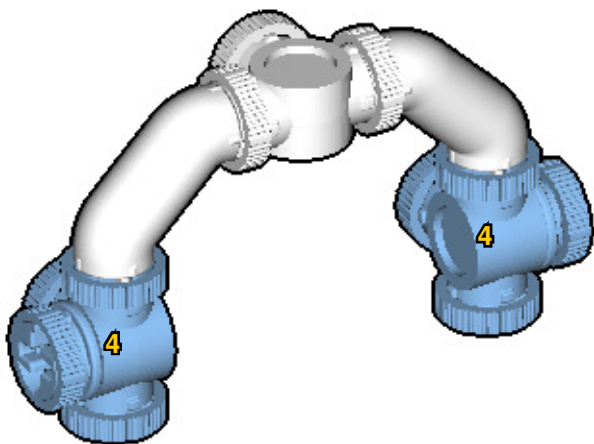
36



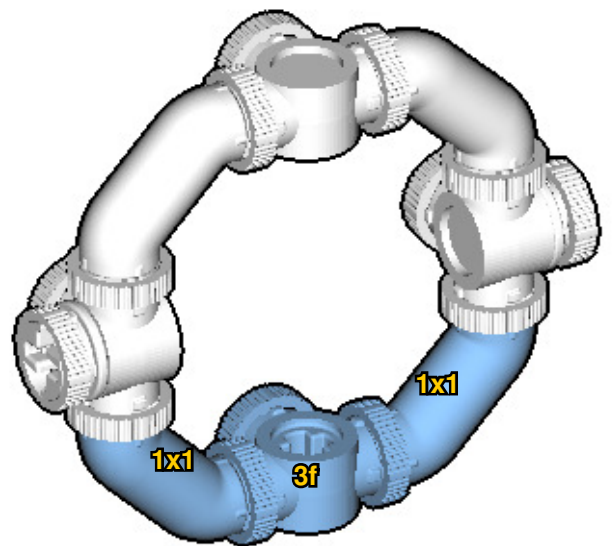
37

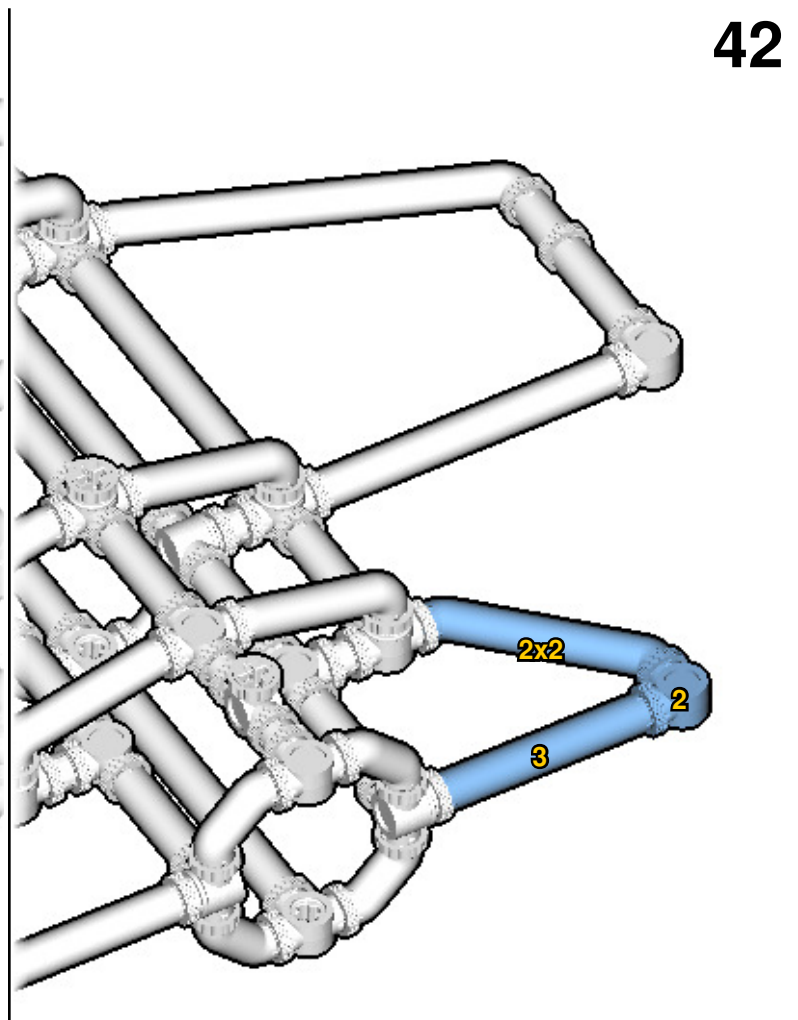
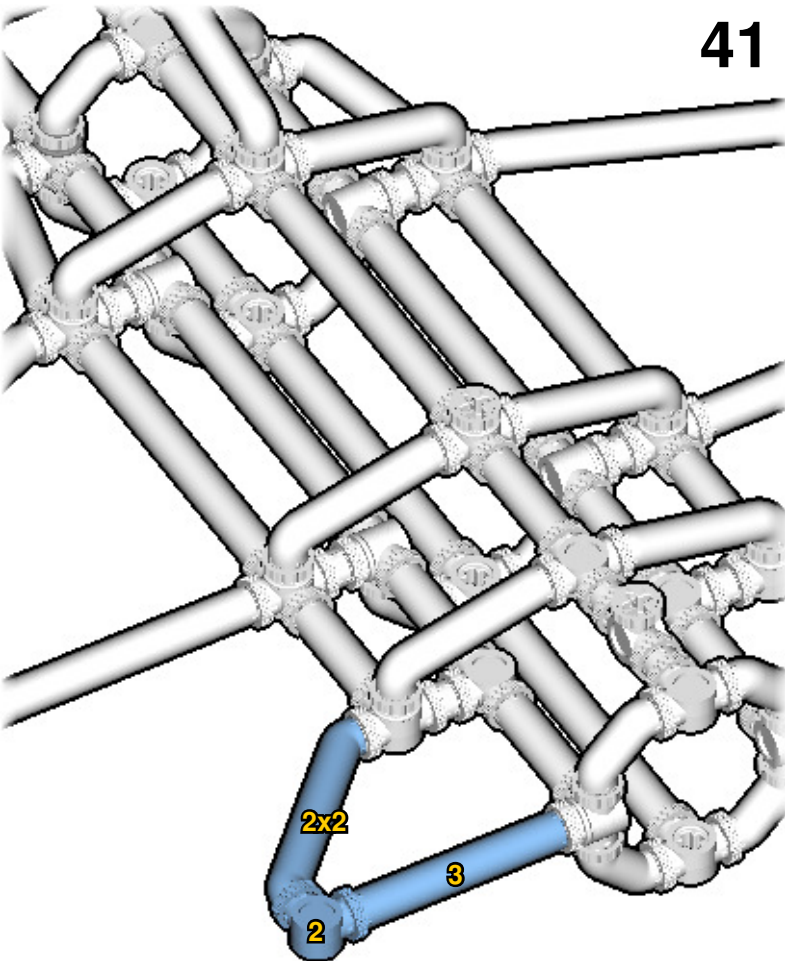
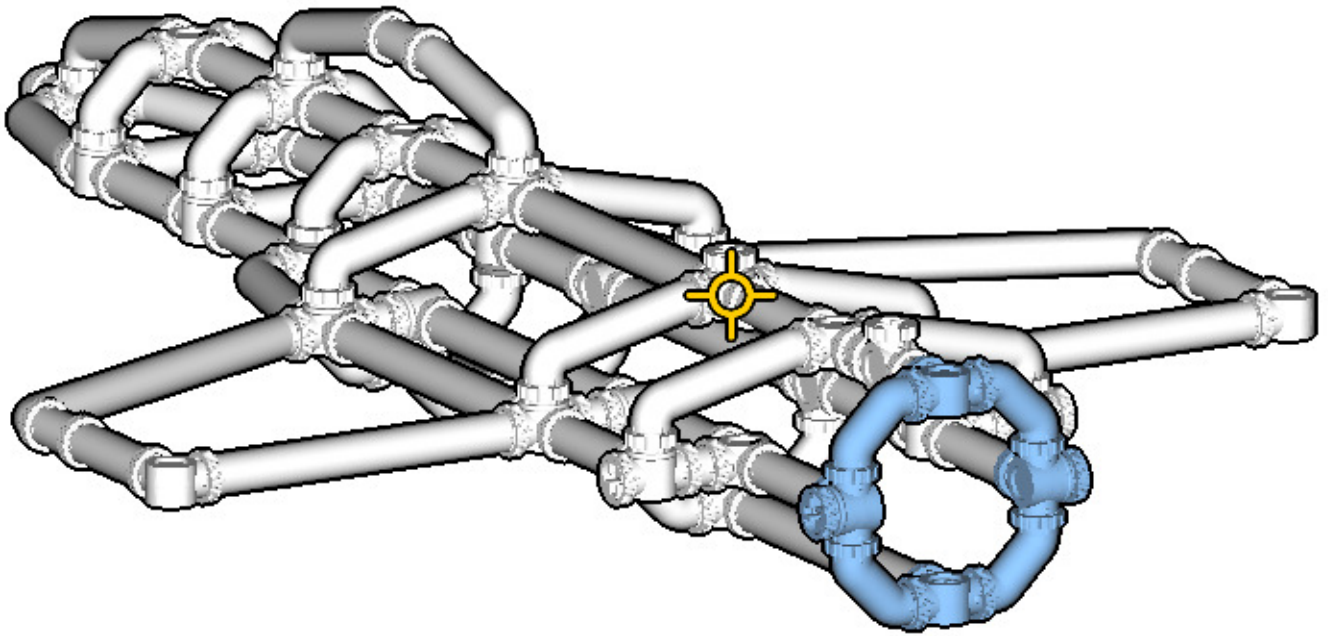


38

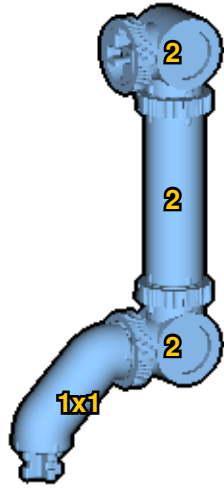


39

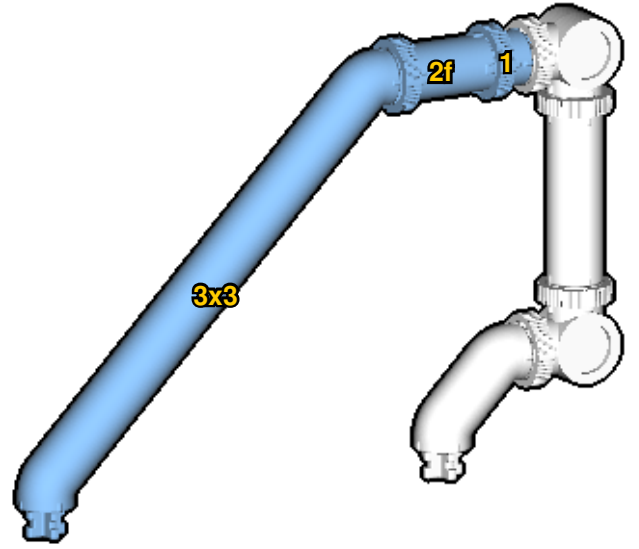




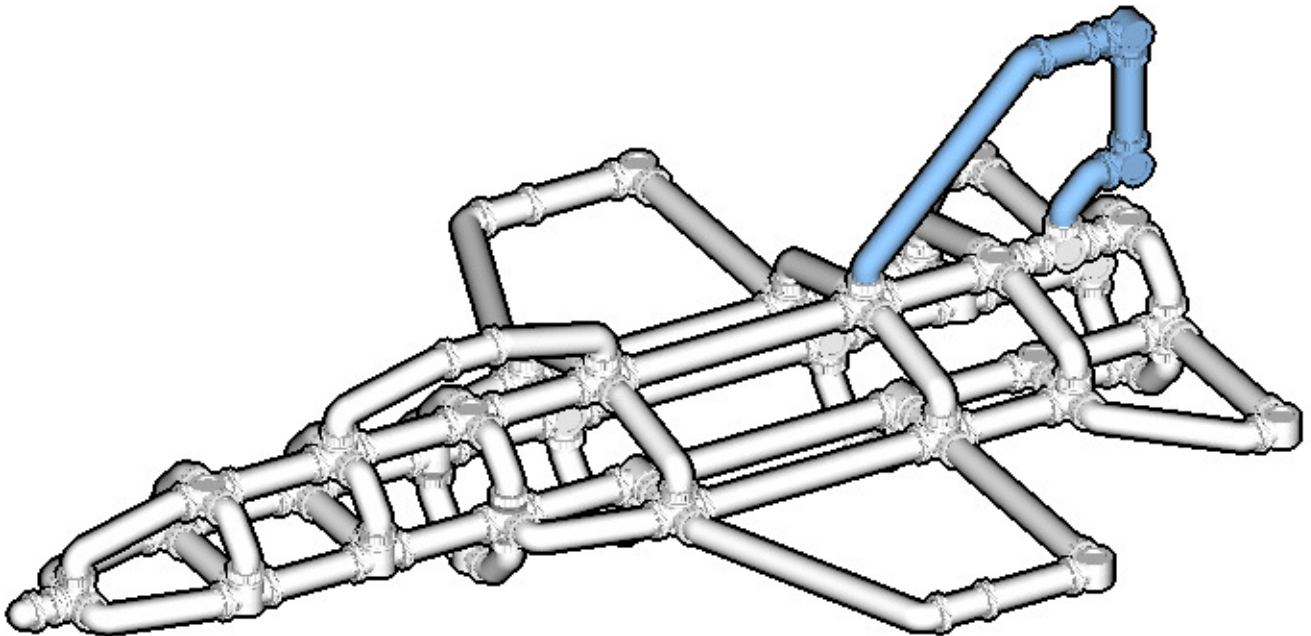
43



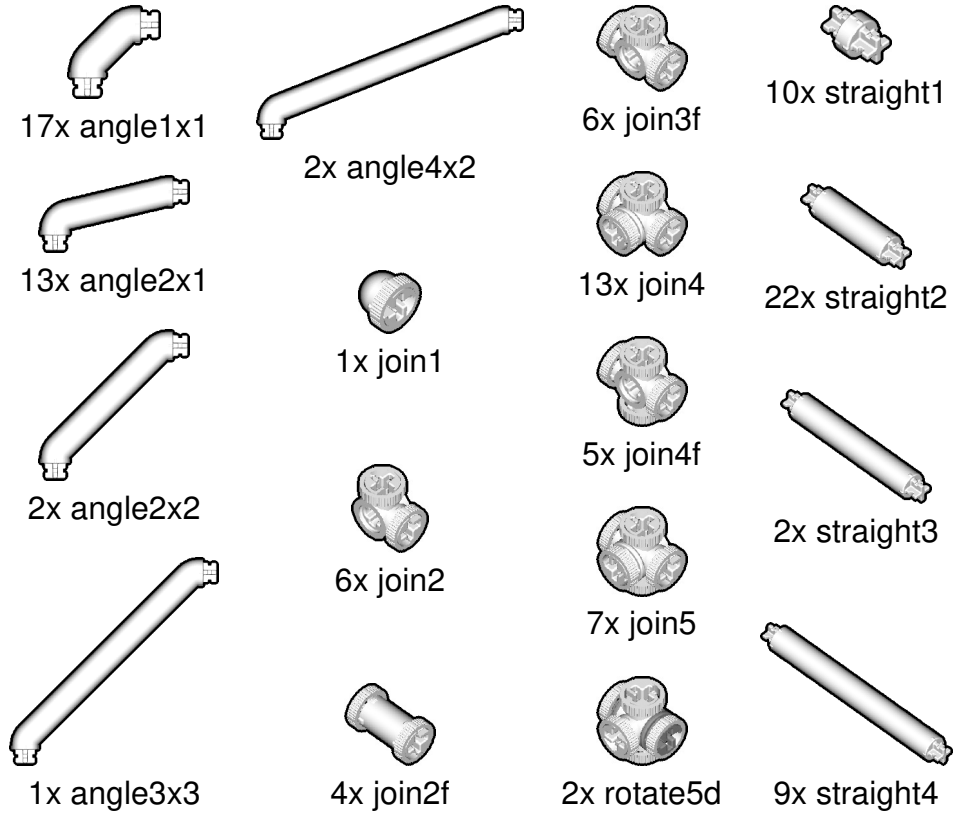
44



45



INVENTORY



ACTUAL SIZE

