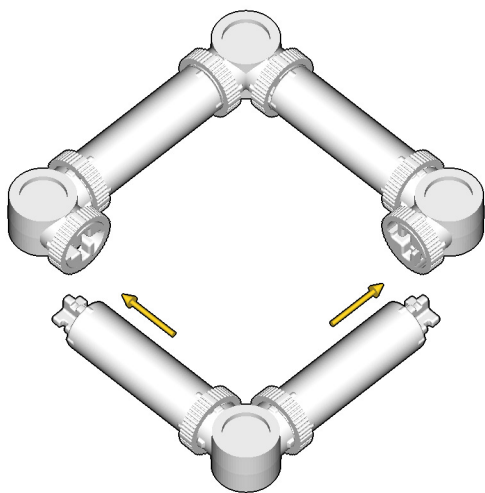
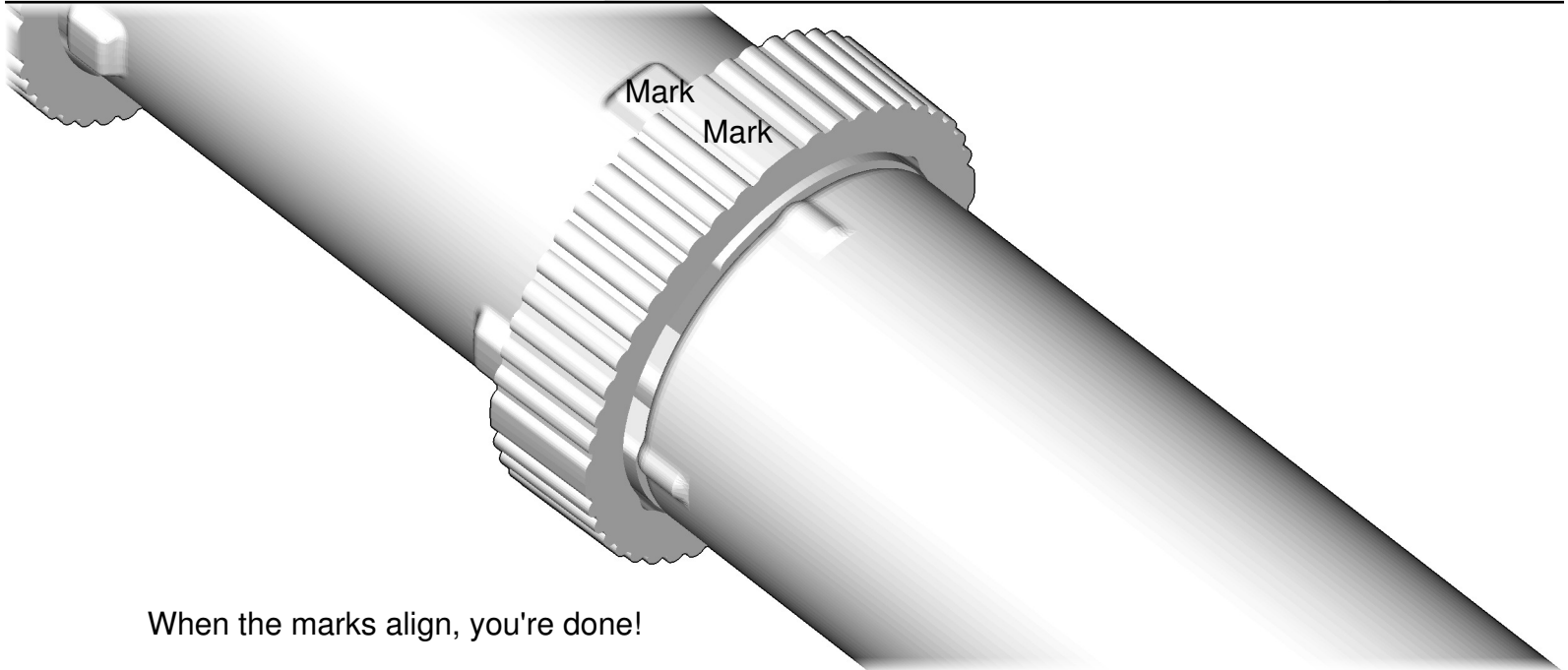
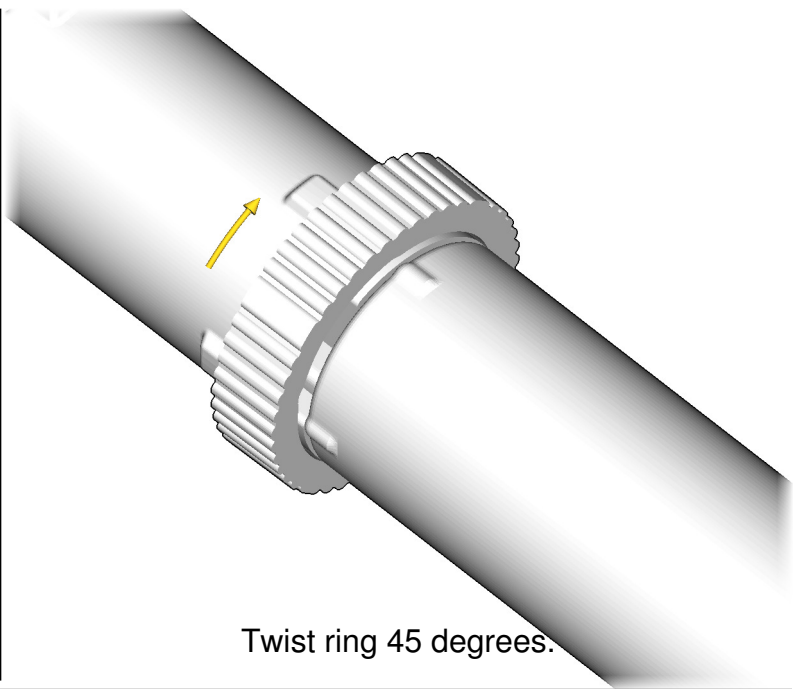
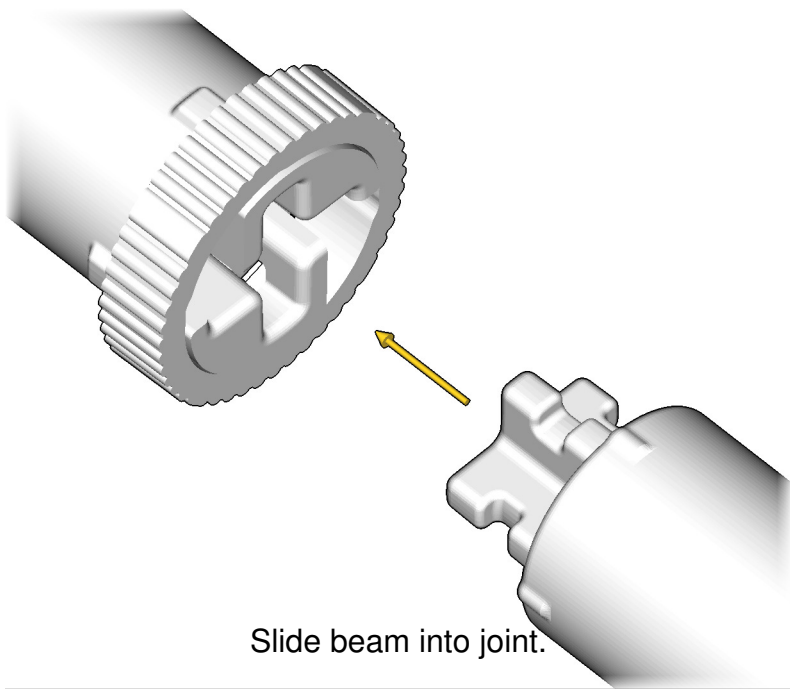


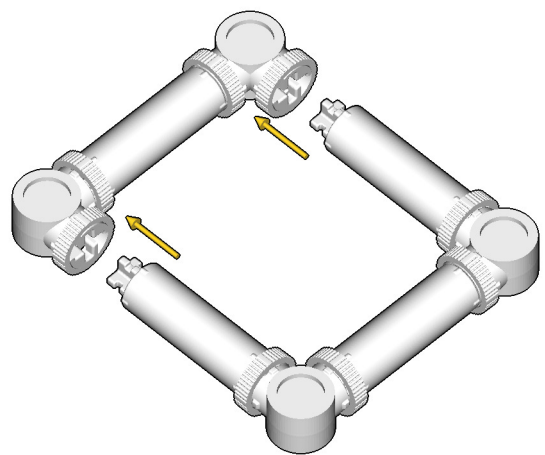
SIZE	1.1ft x 0.6ft x 0.3ft	PIECES	182
DESIGNER	Charles Sharman	MADE IN	U.S.A.

FORMULA ONE

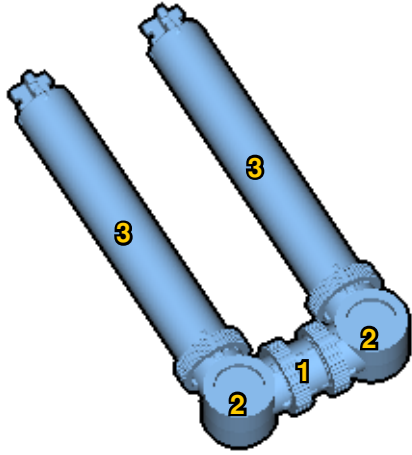
⚠ WARNING: Small parts. Age 12+. Handle responsibly. U.S. Patent 9,086,087.



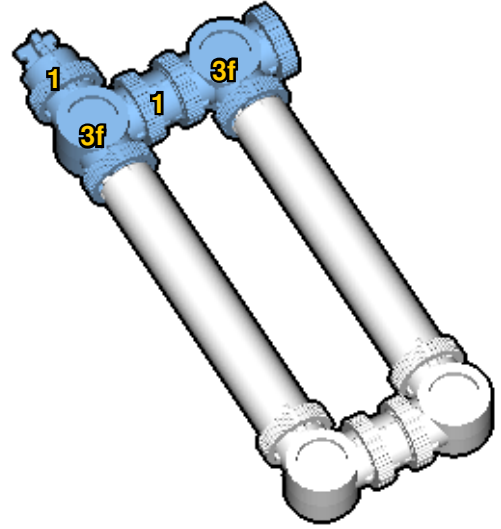
Wrong
Connecting/Disconnecting Two Directions



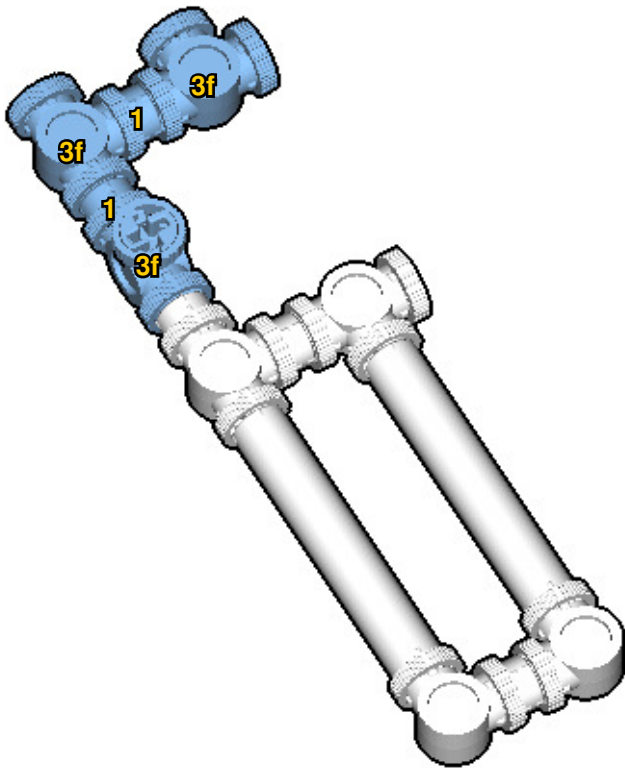
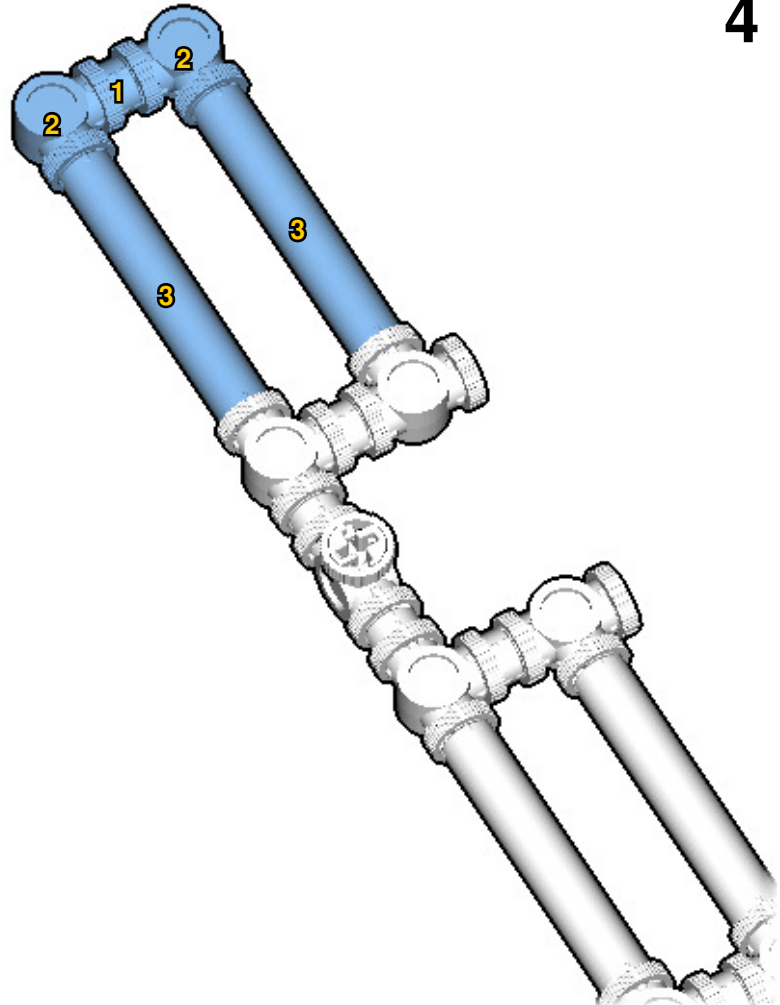
Right
Connecting/Disconnecting One Direction

1

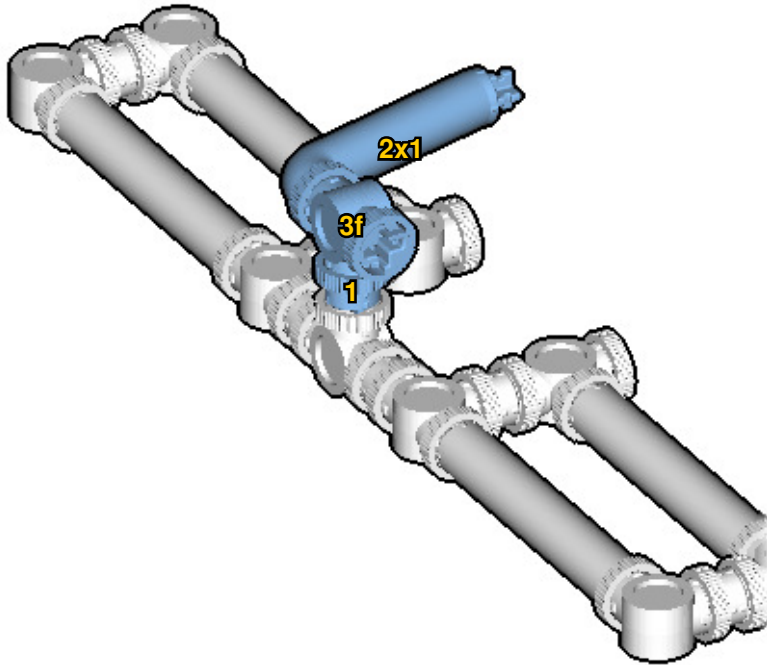
New pieces are drawn blue. Old pieces are drawn white.
See back for piece names.

2

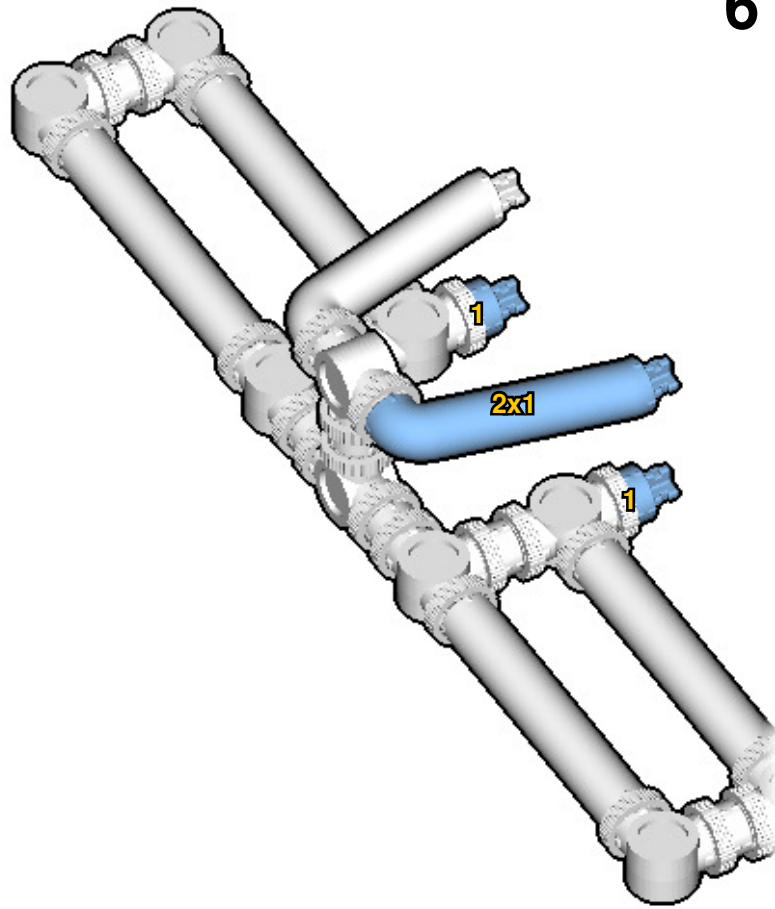
Connect new pieces together before connecting to old pieces.

3**4**

5

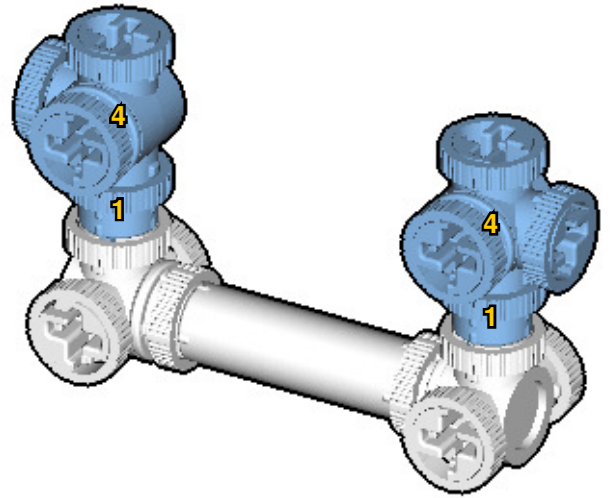
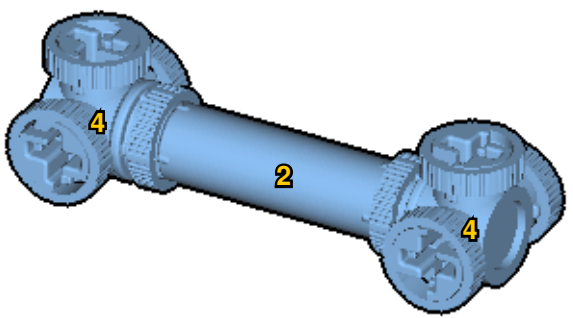


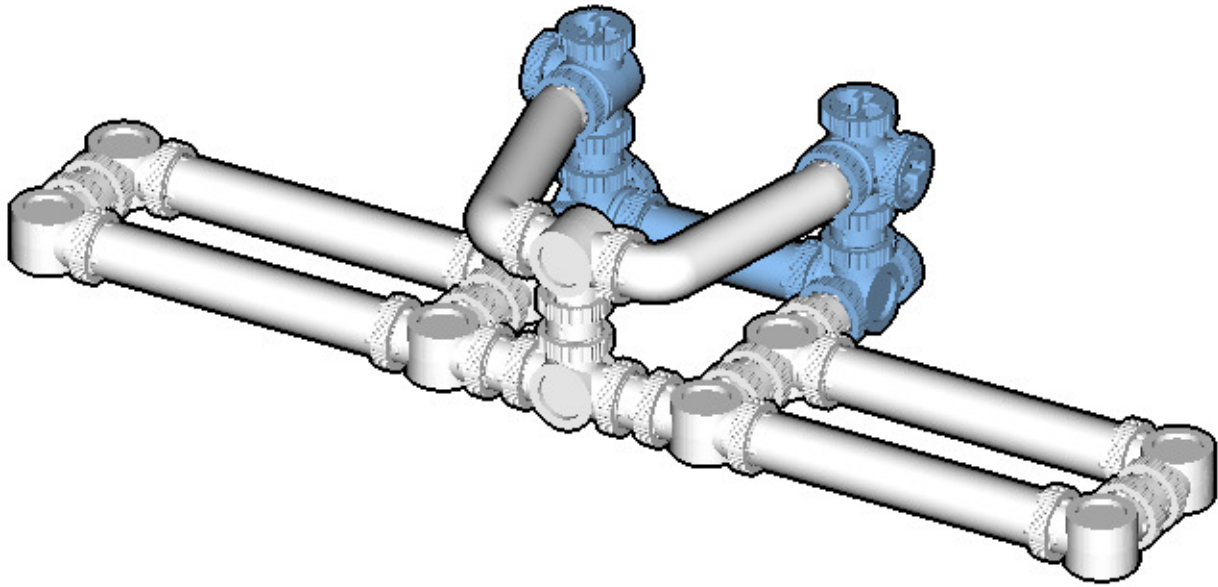
6



Submodel begins → 7

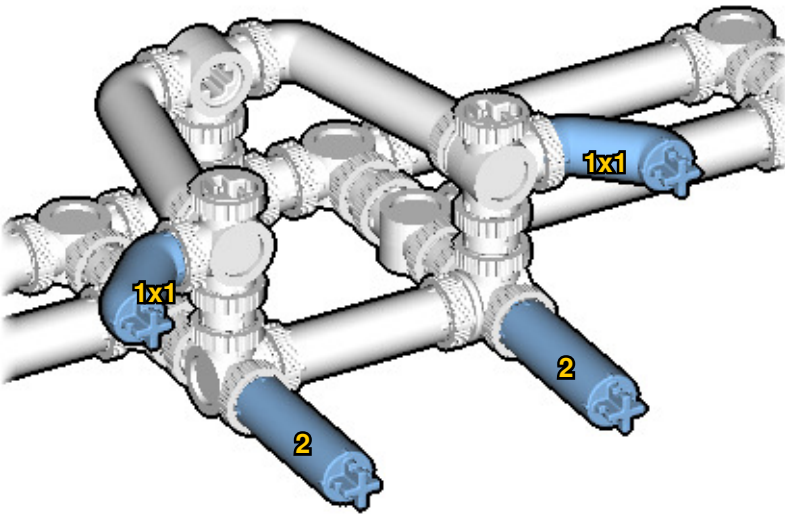
8



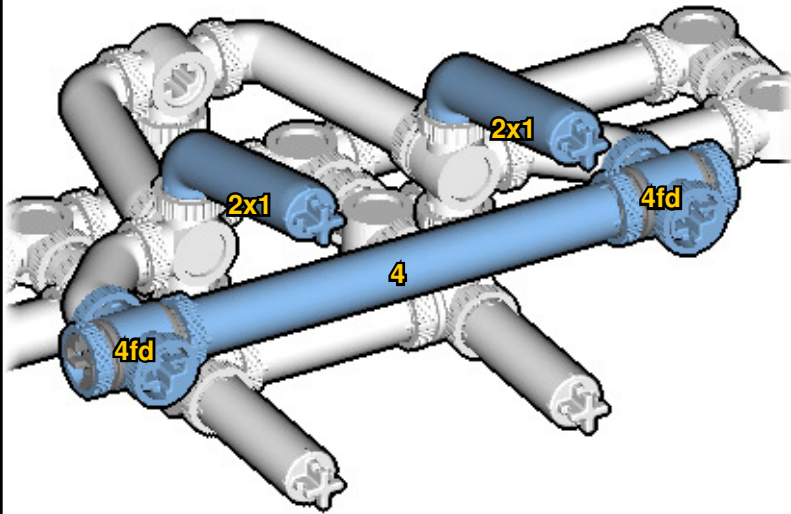


Connect submodel to model.

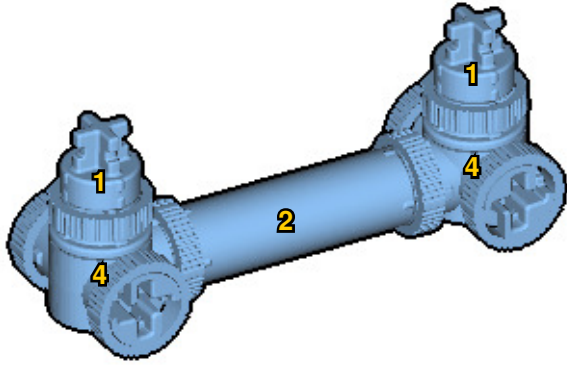
10



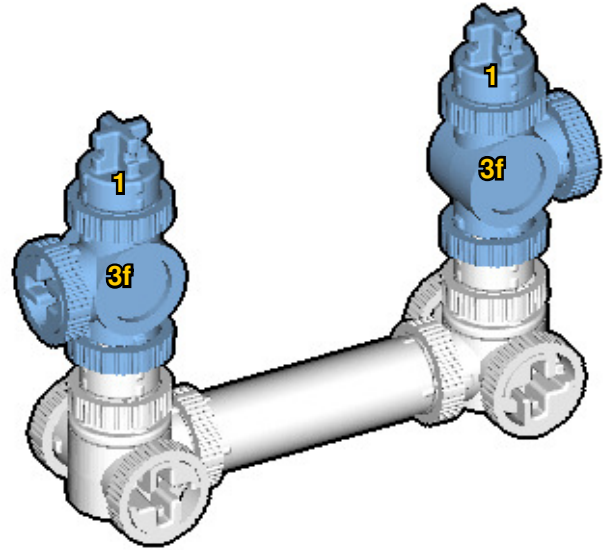
11



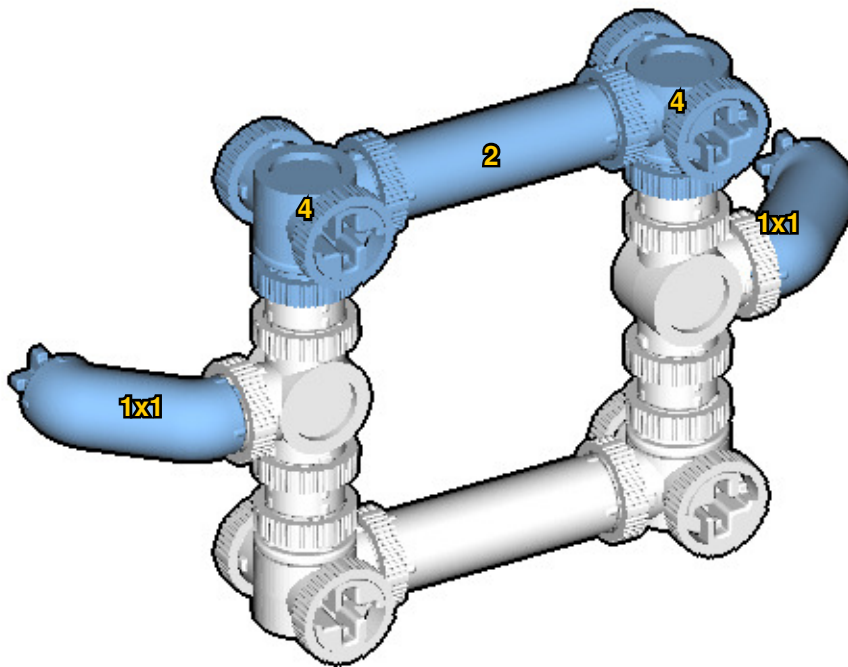
12

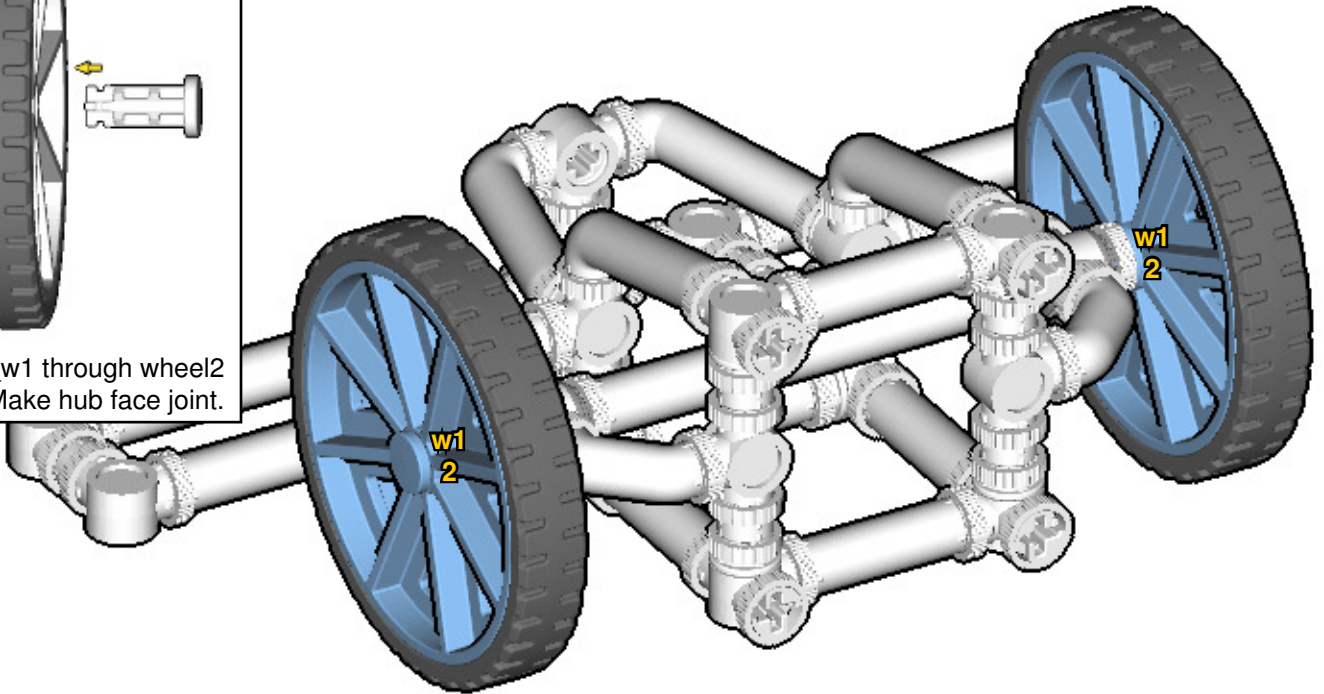
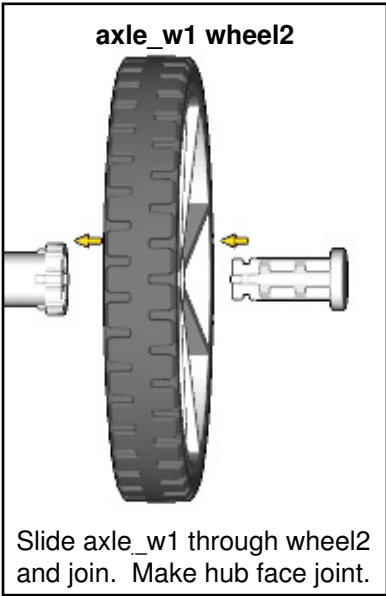
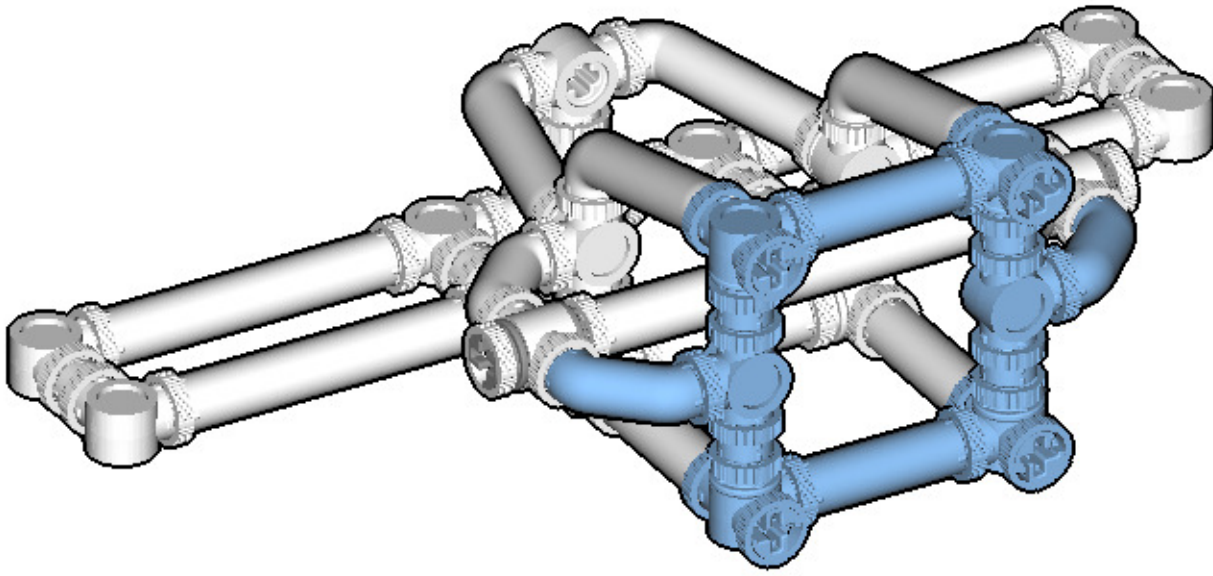


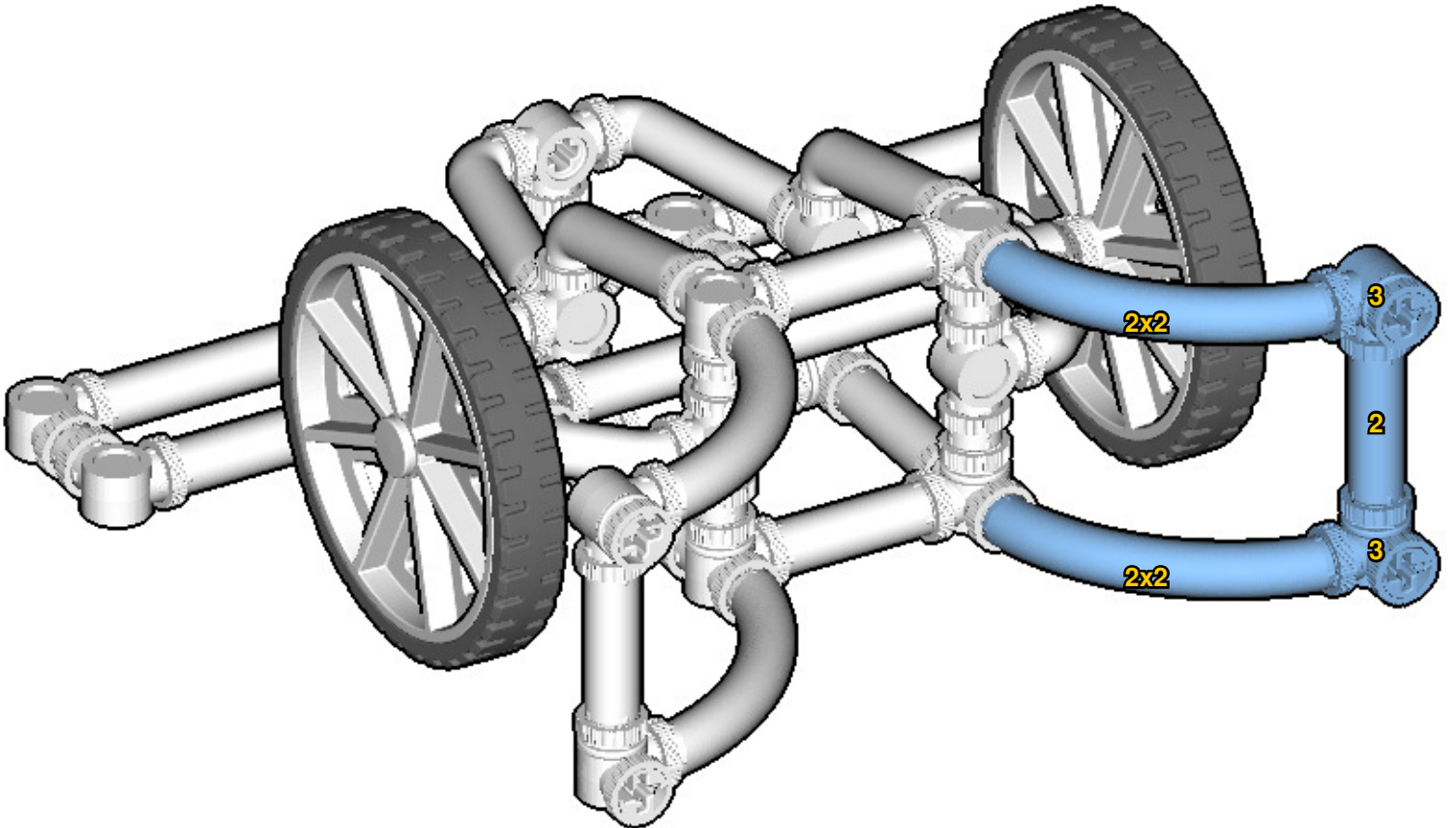
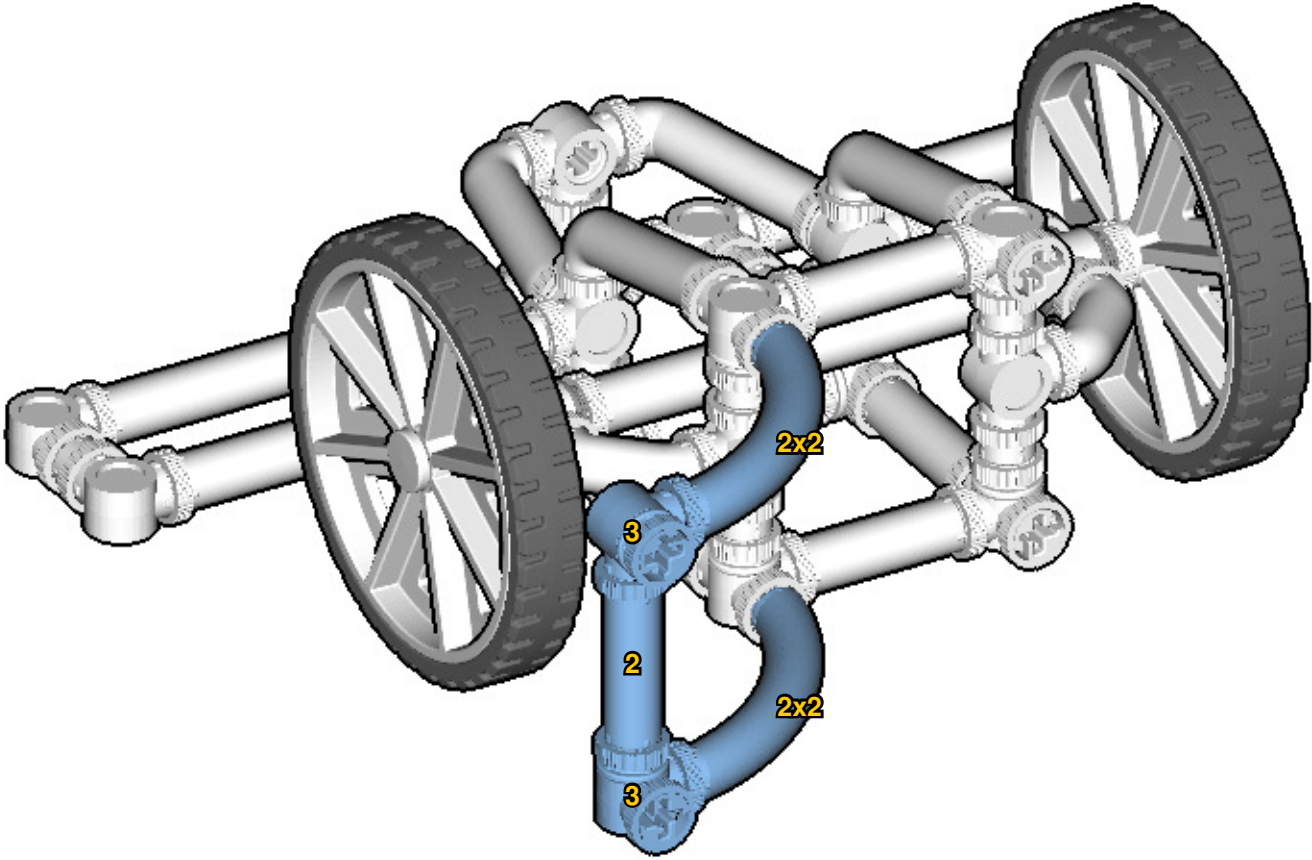
13

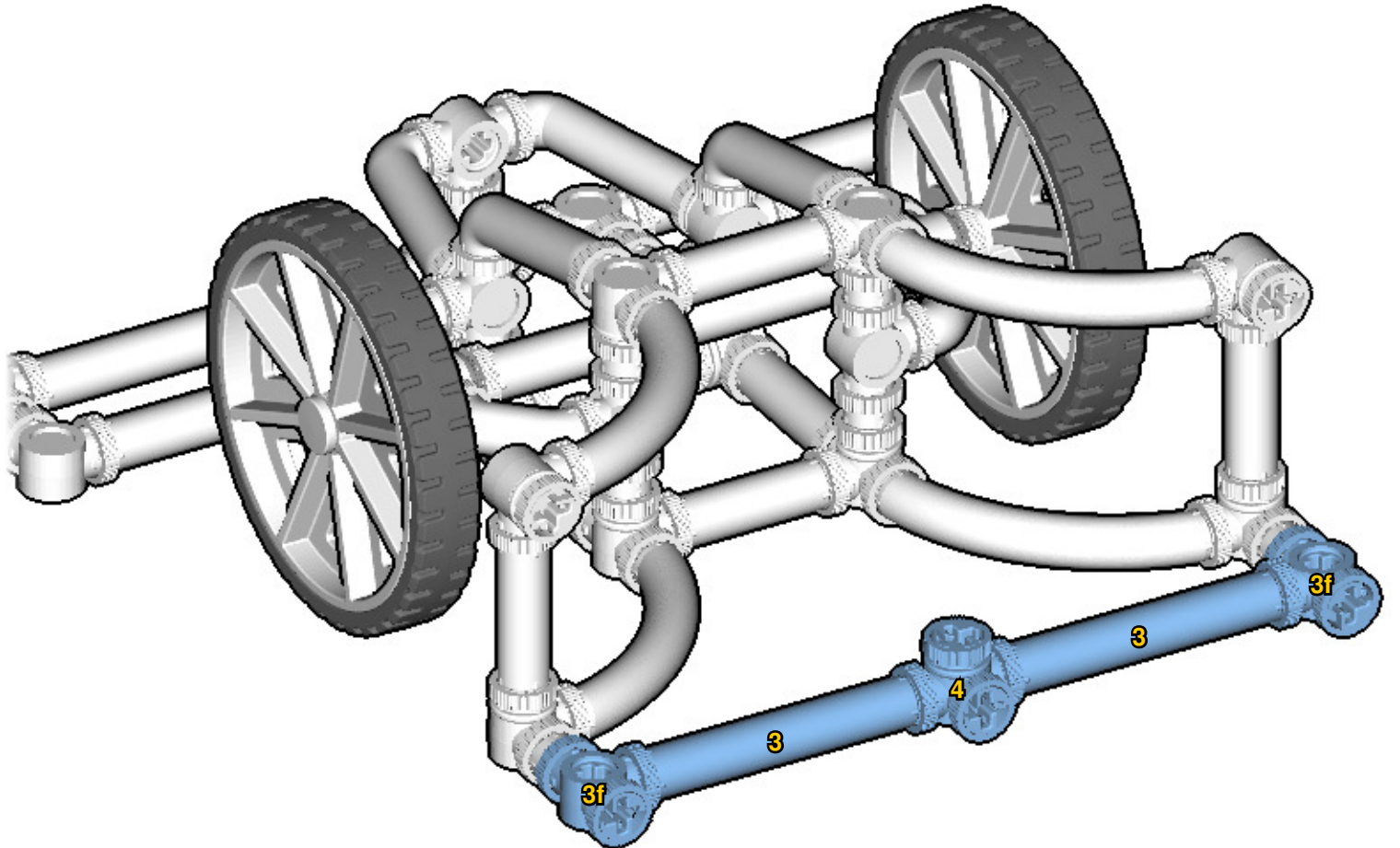
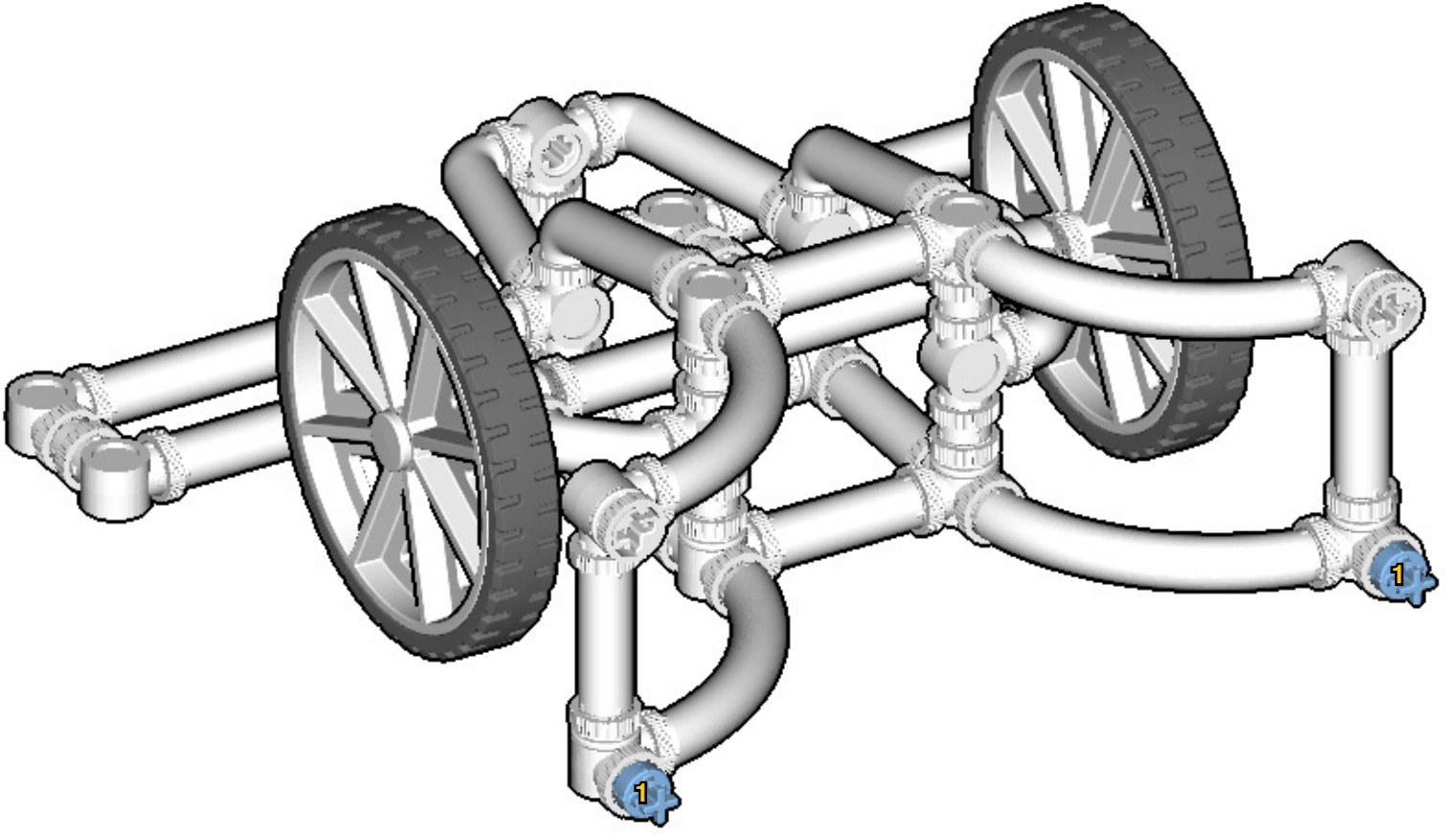


14

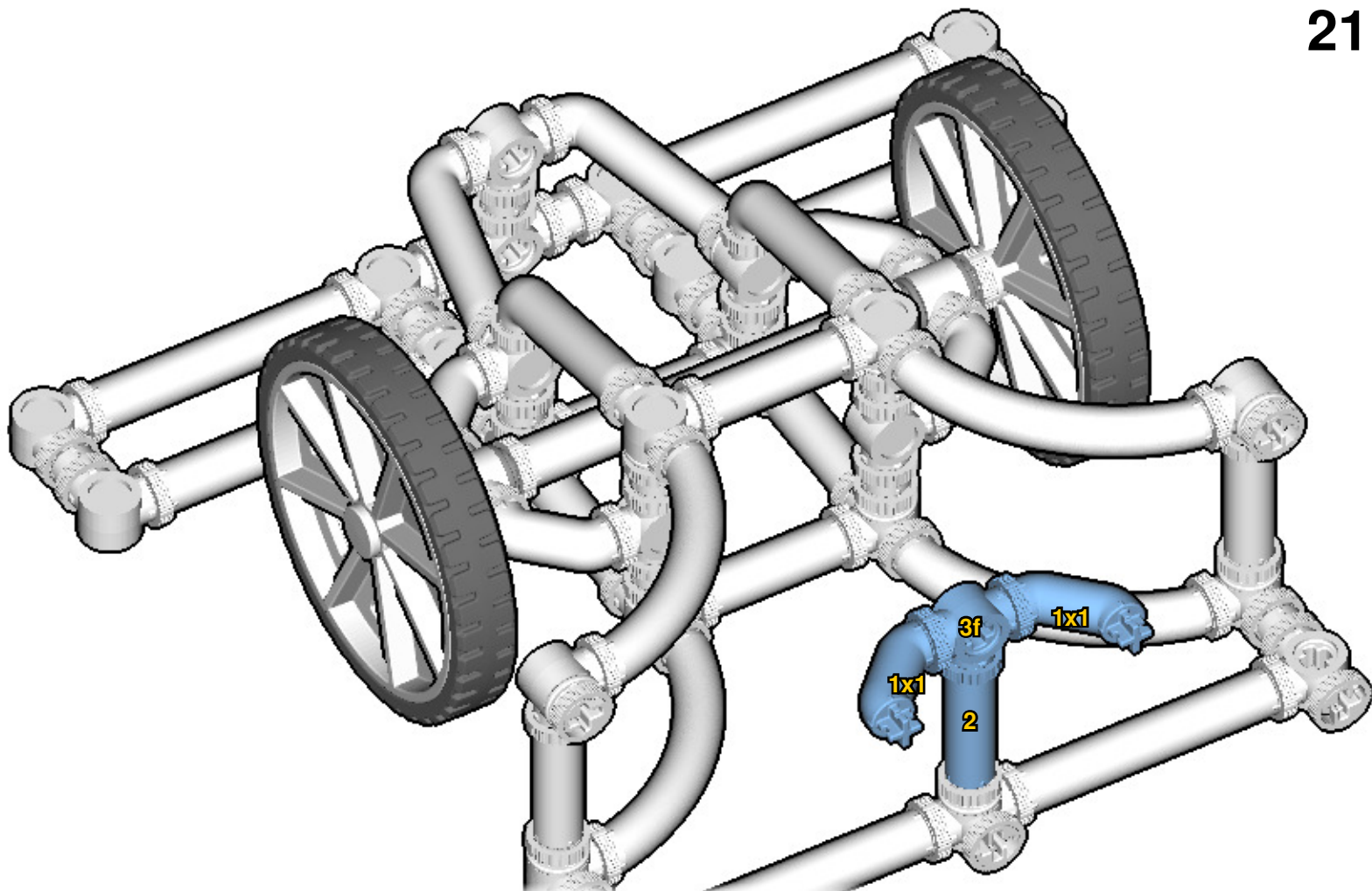




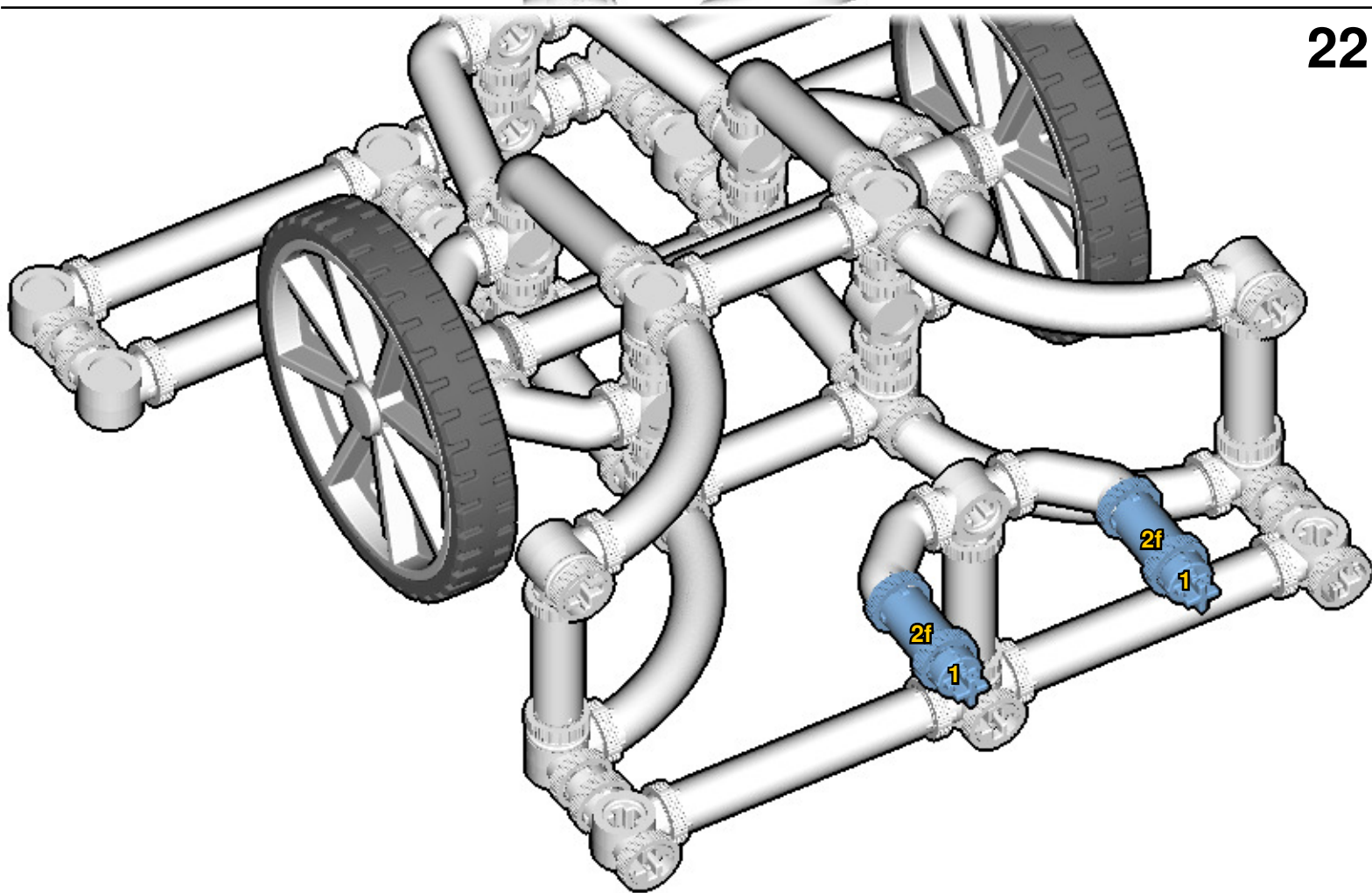


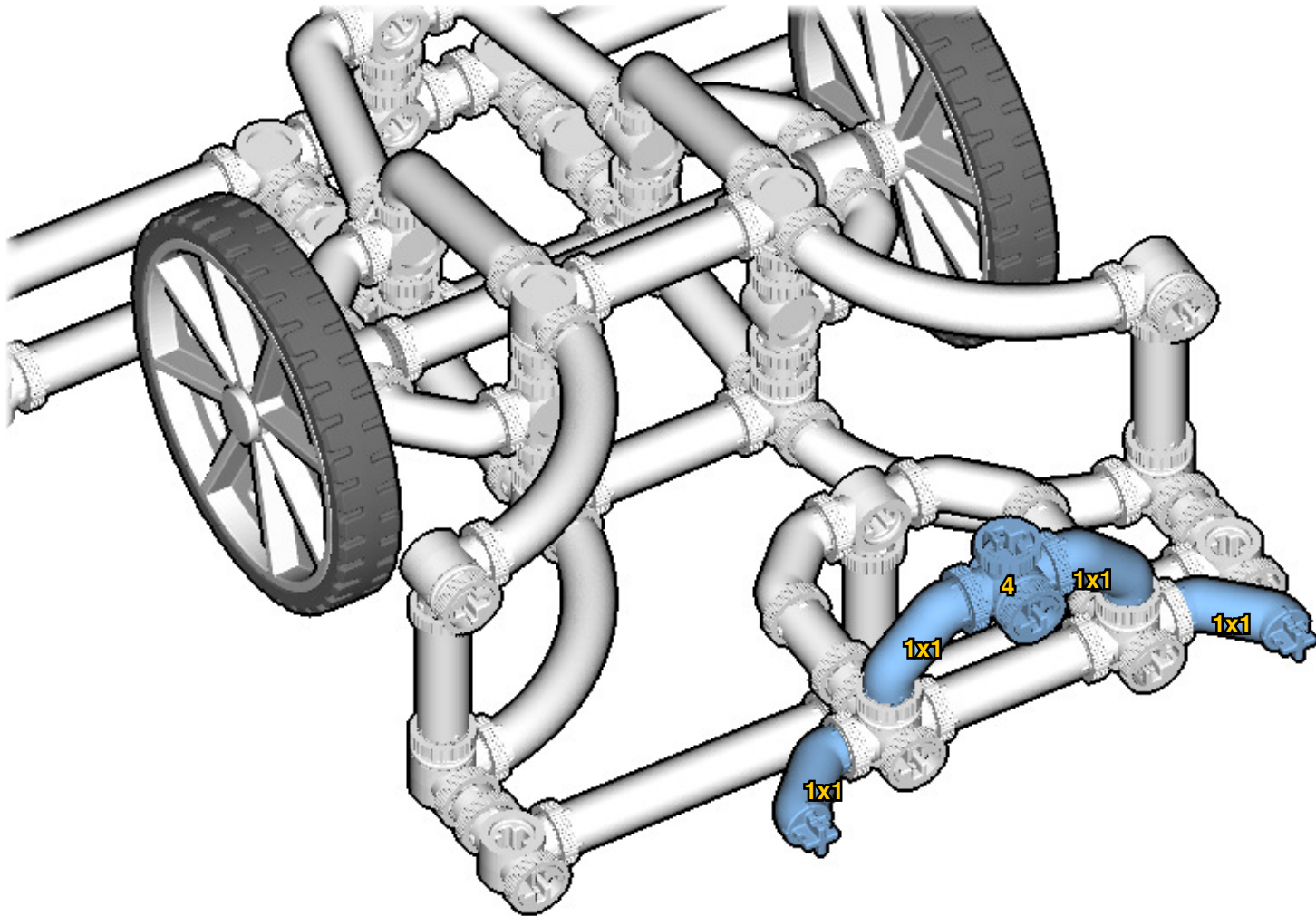
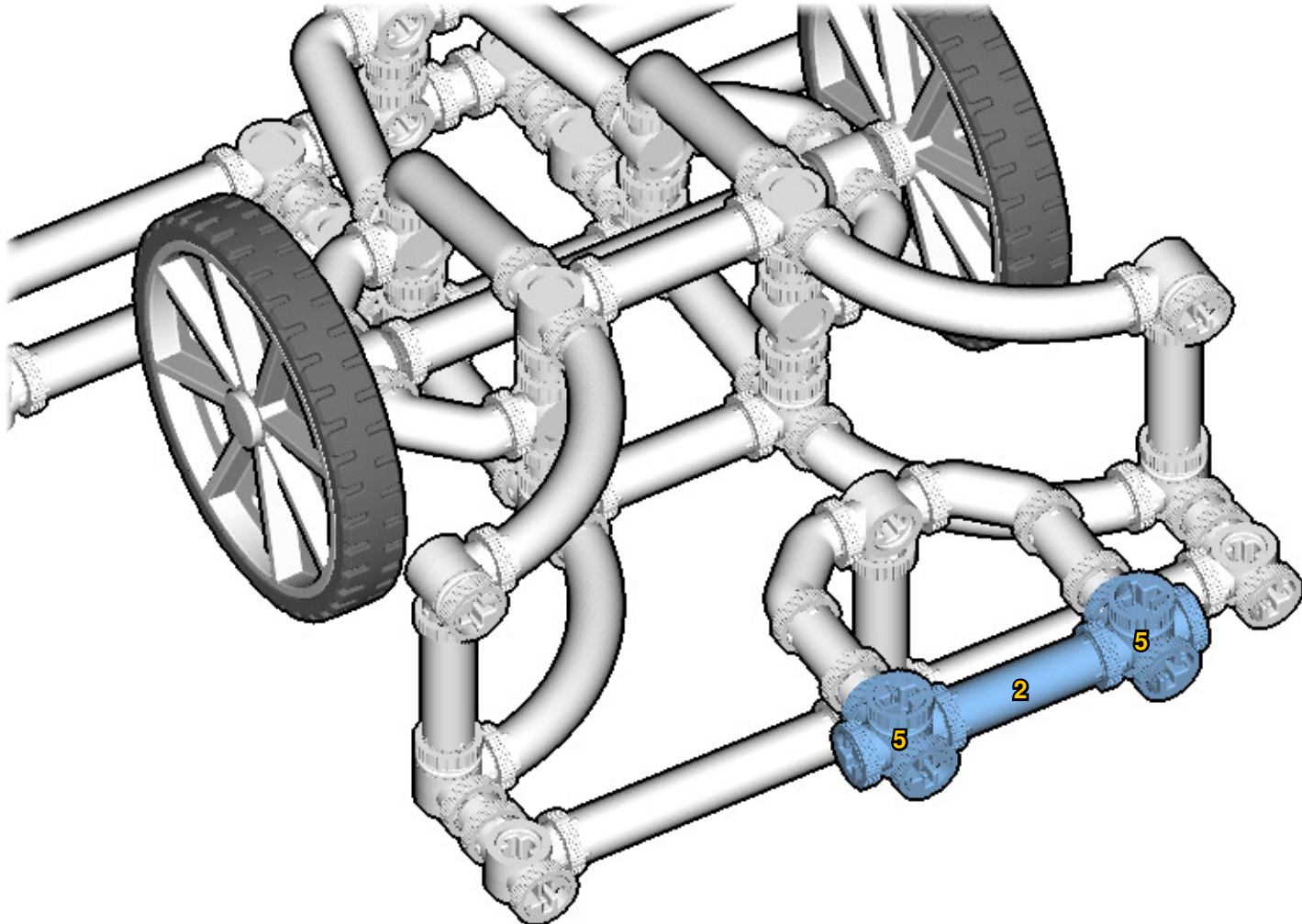


21

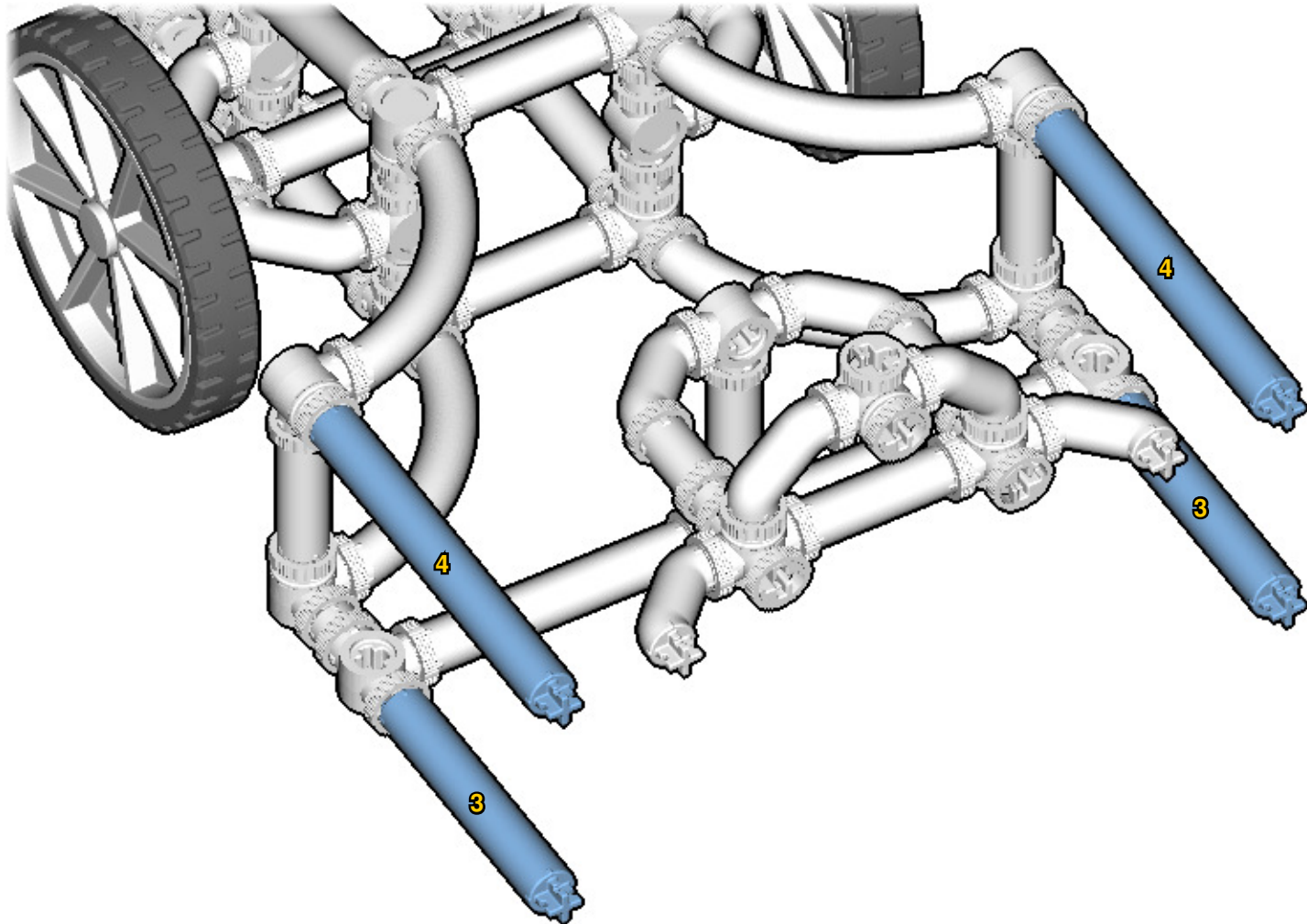


22

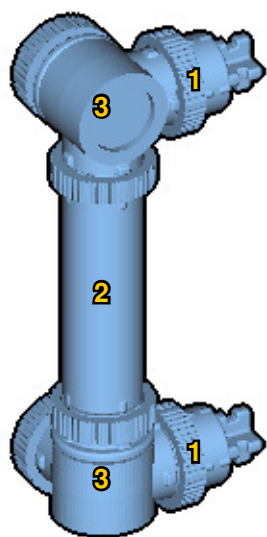




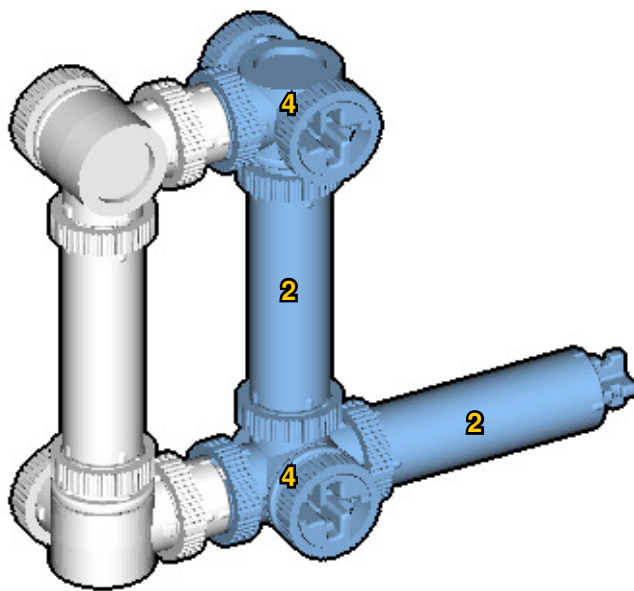
25

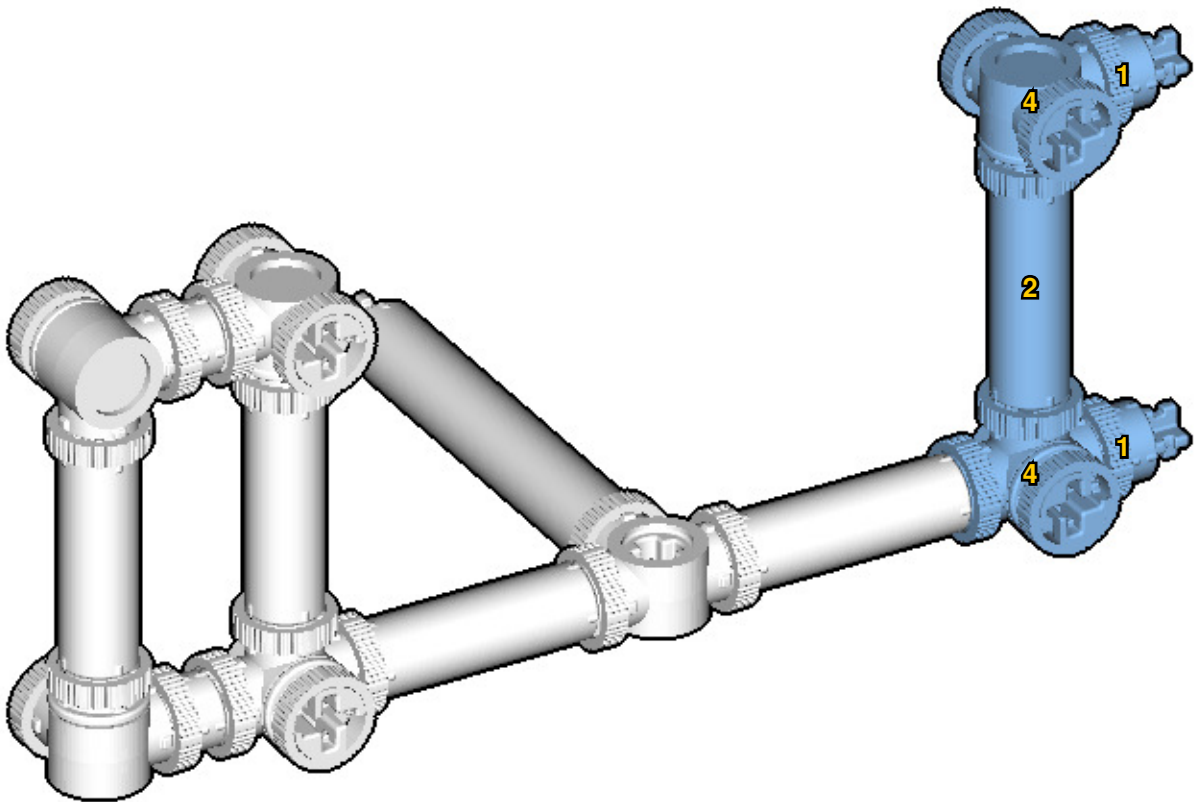
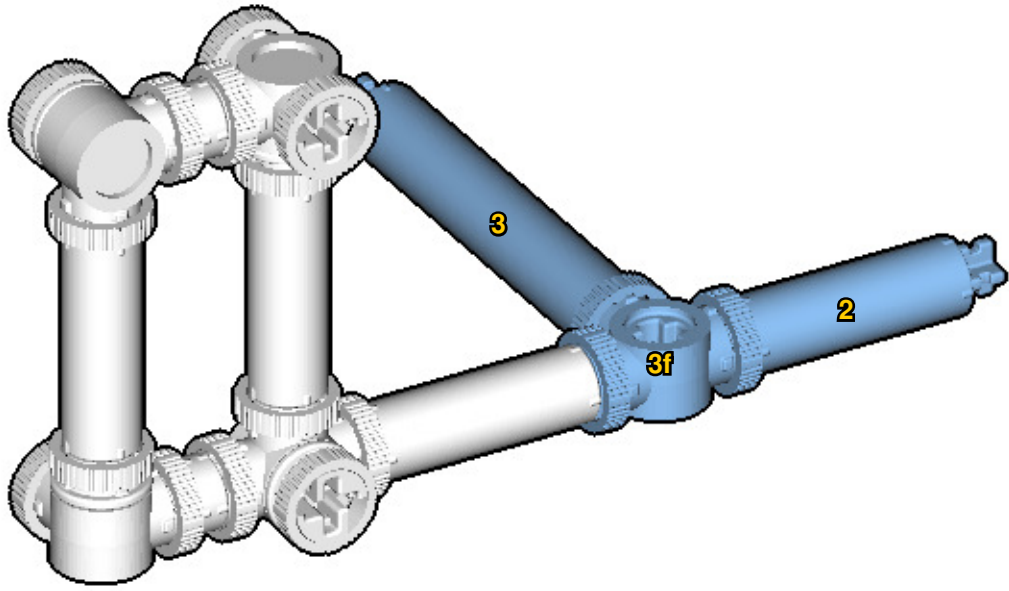


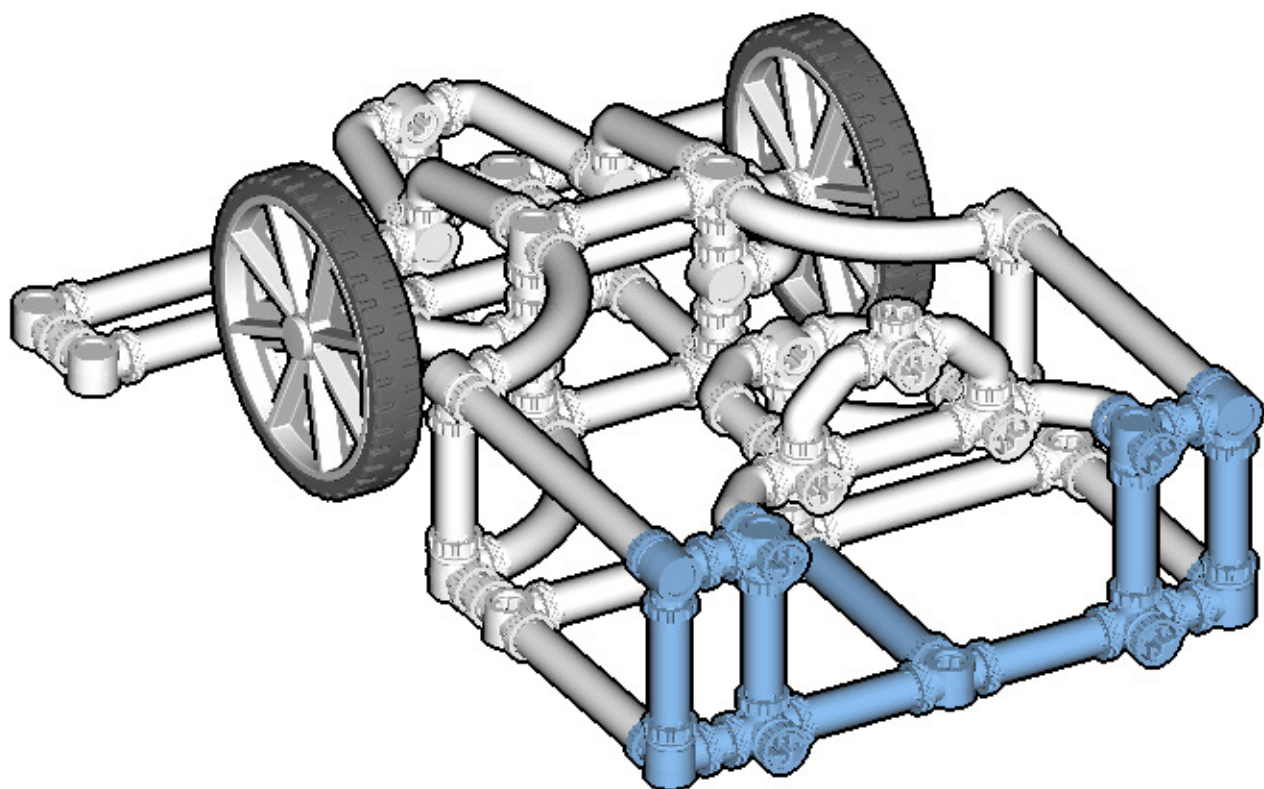
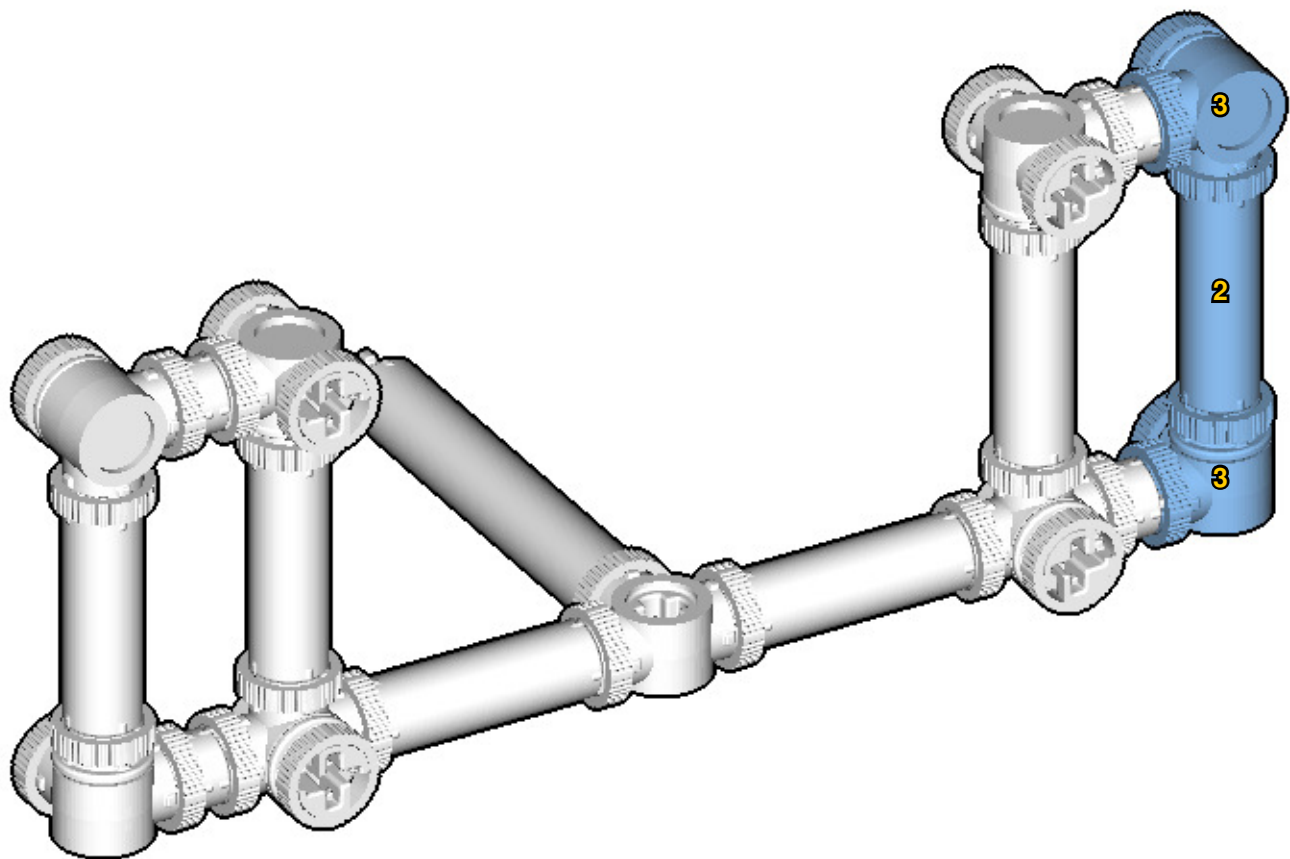
26

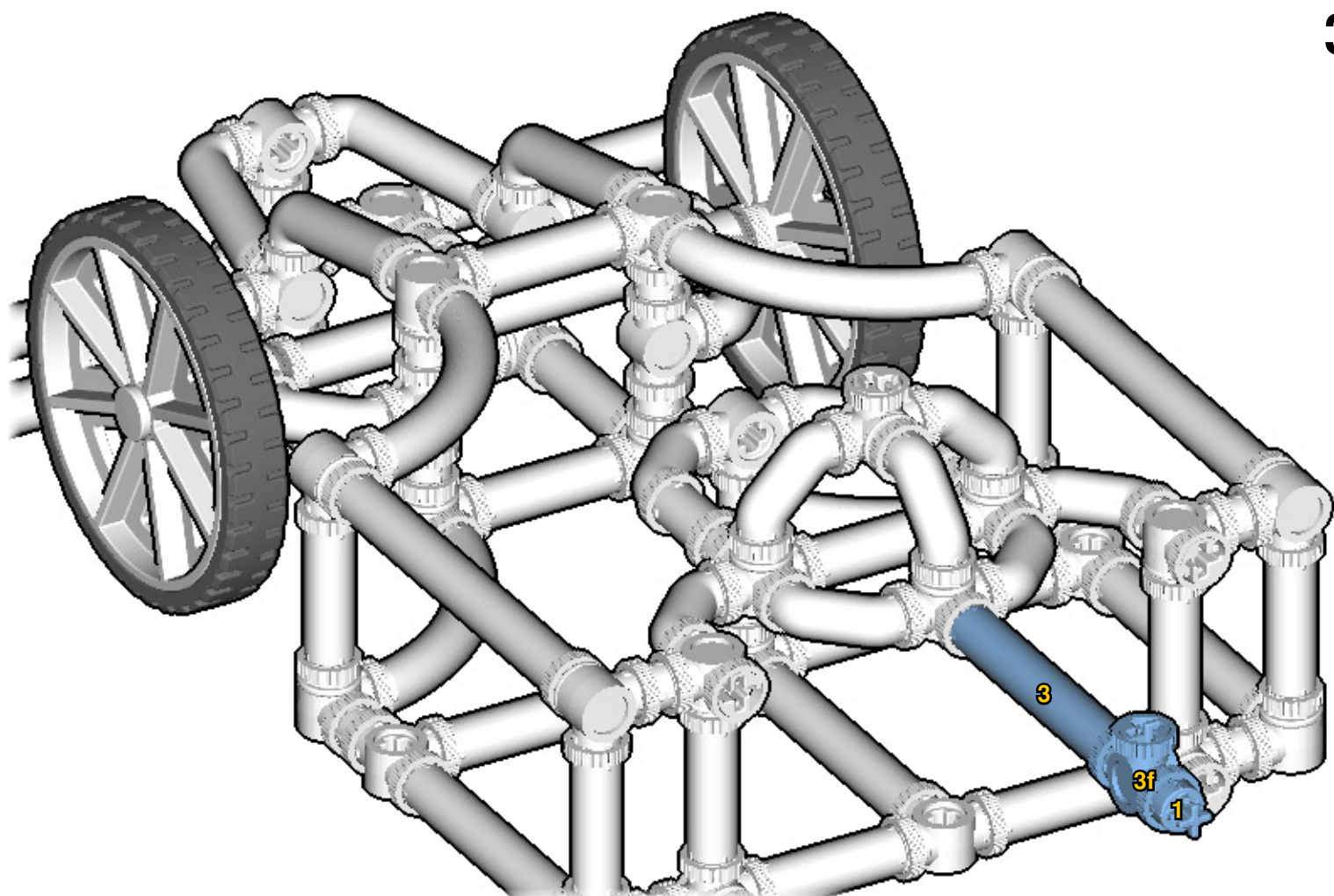
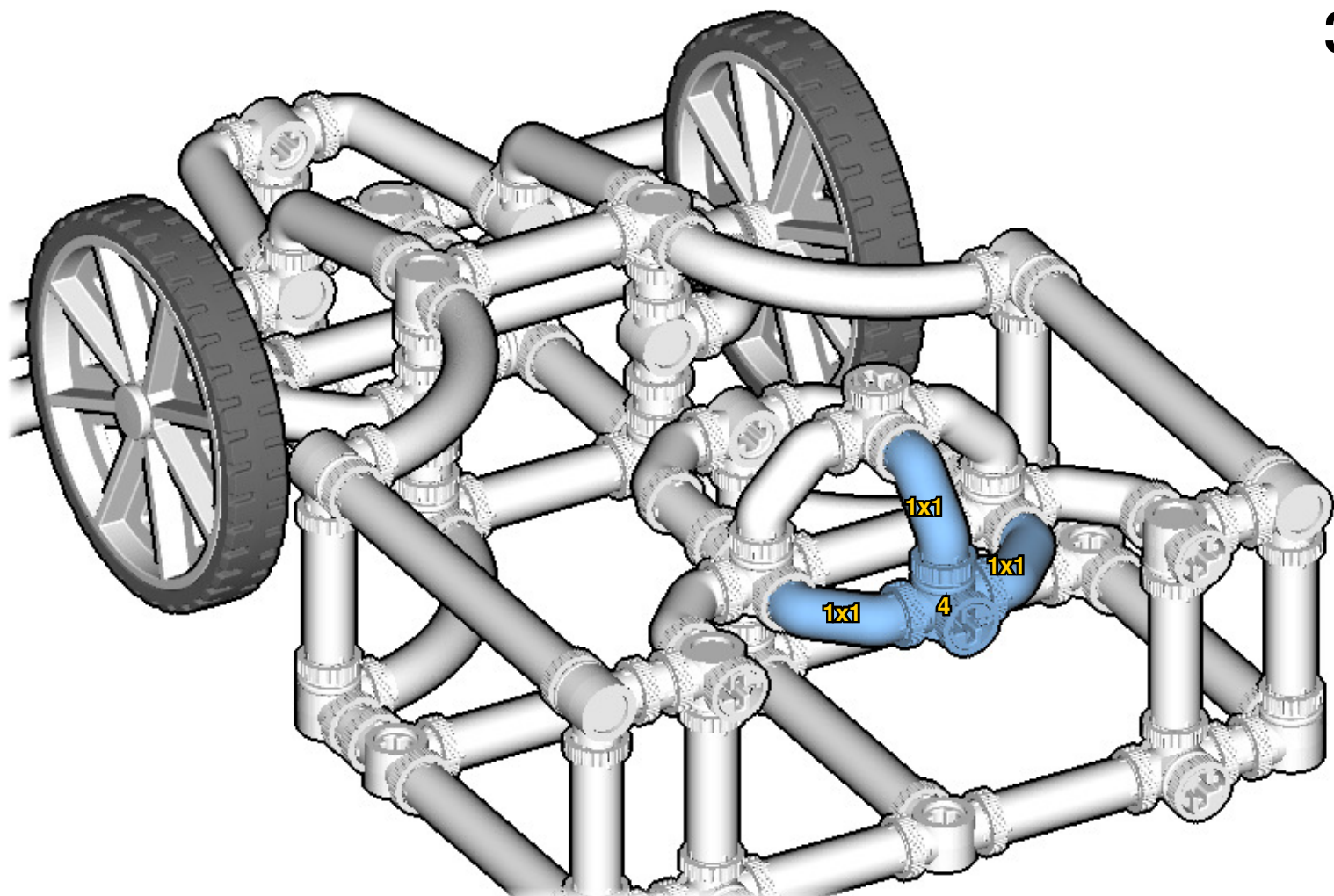


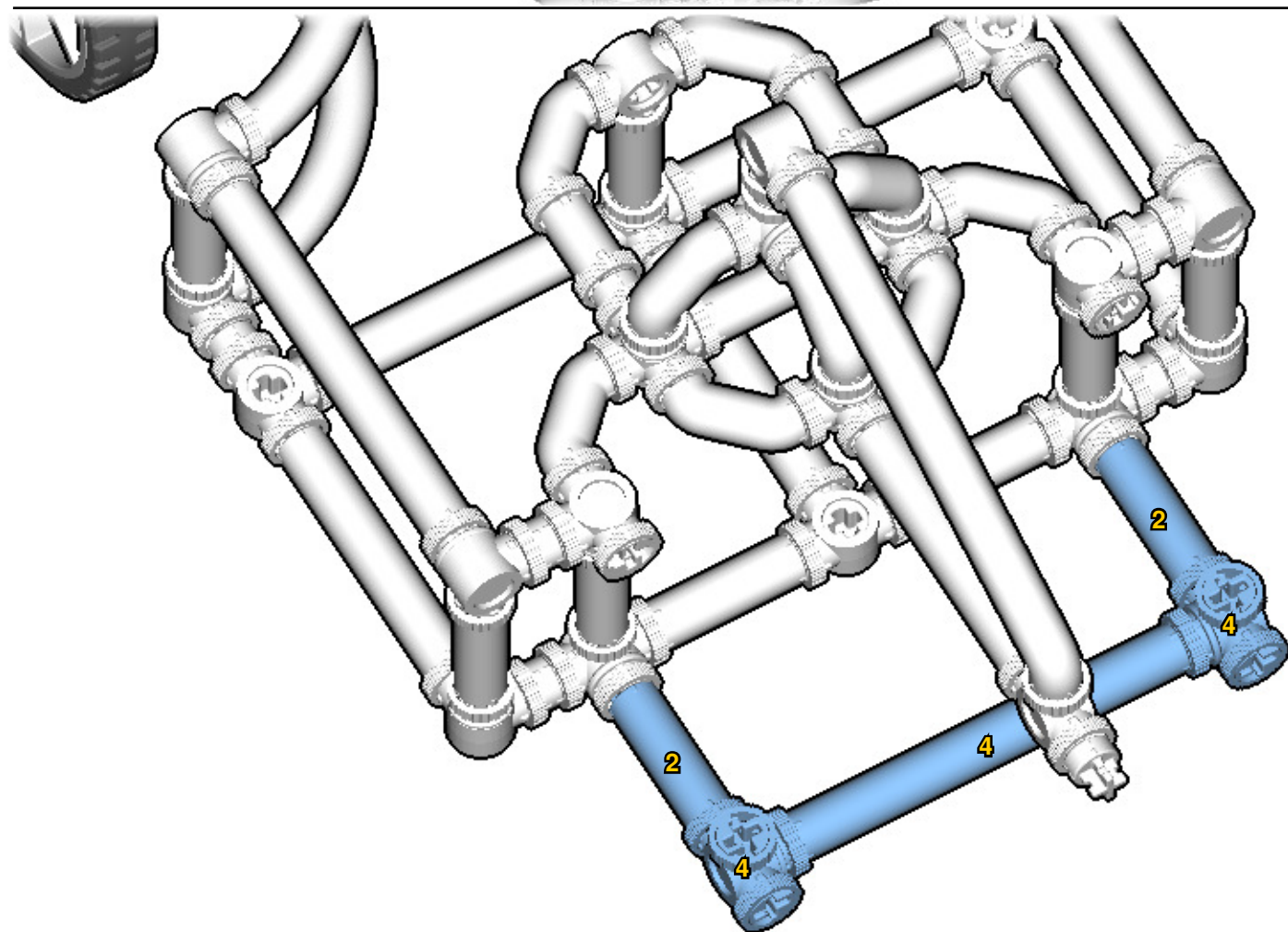
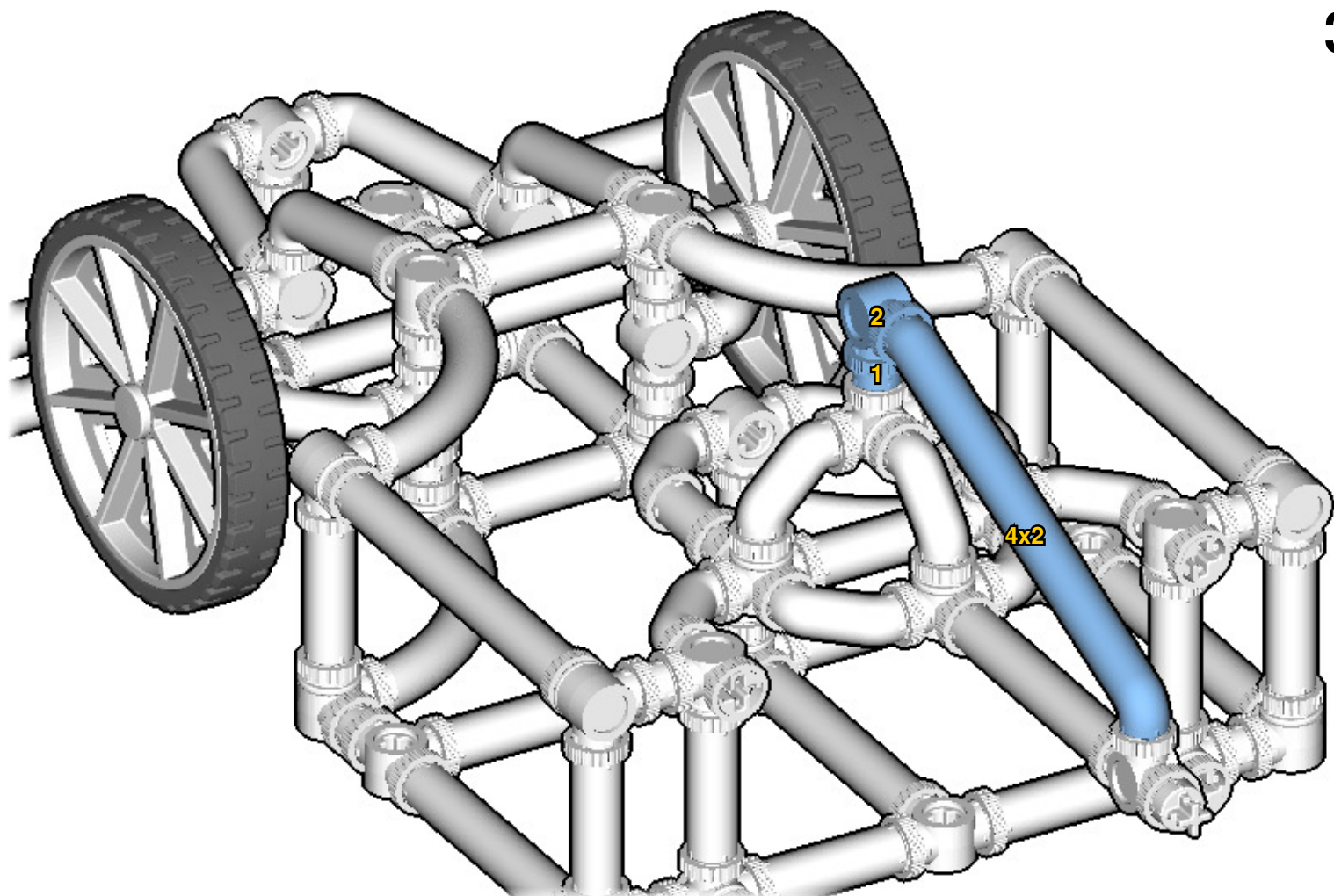
27

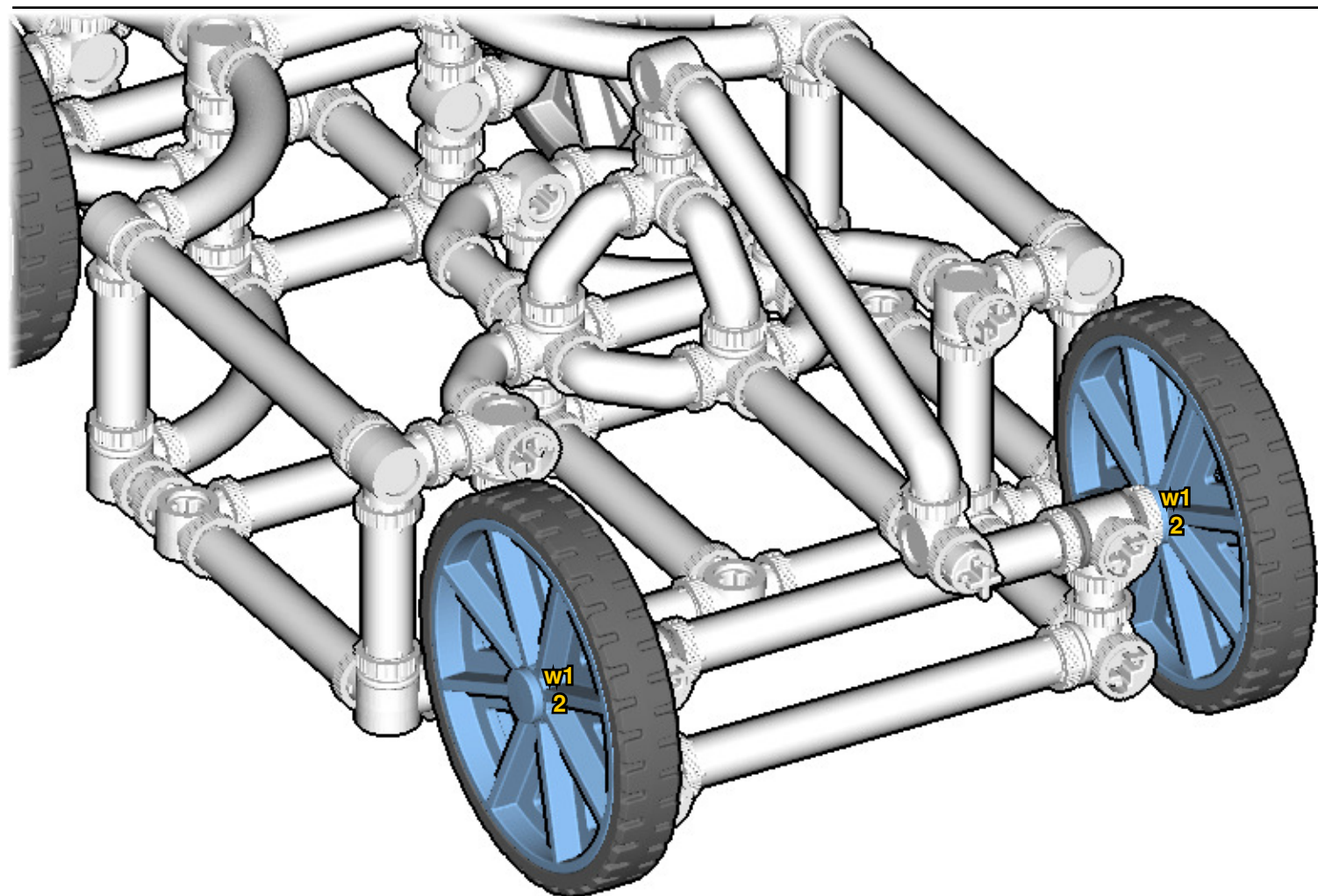
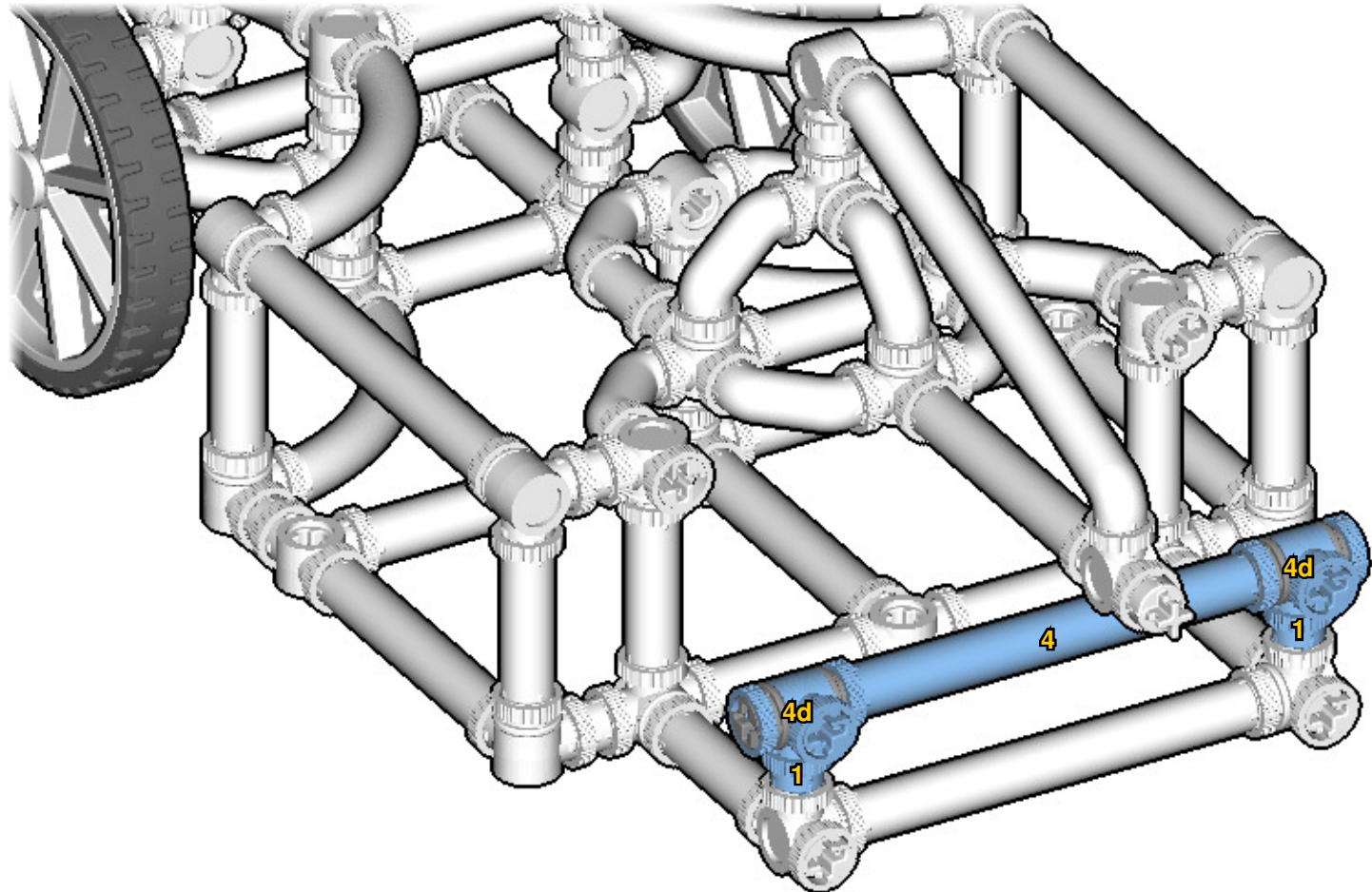




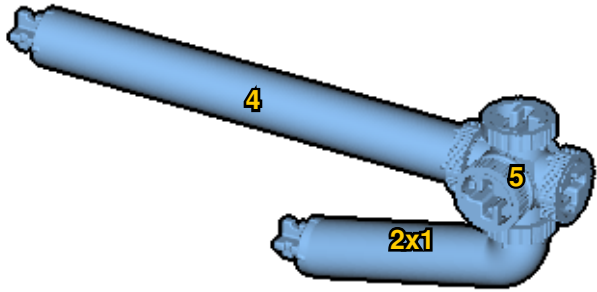




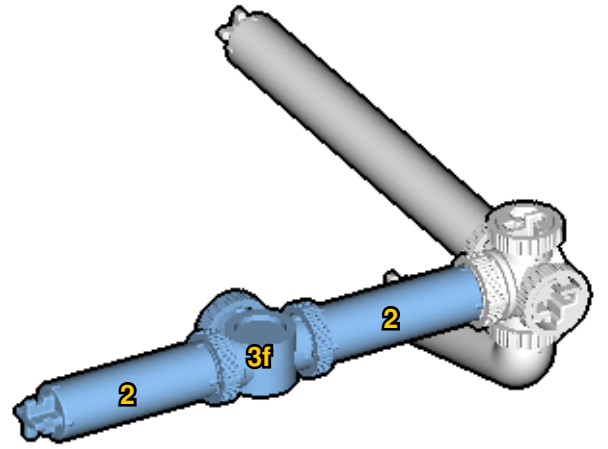




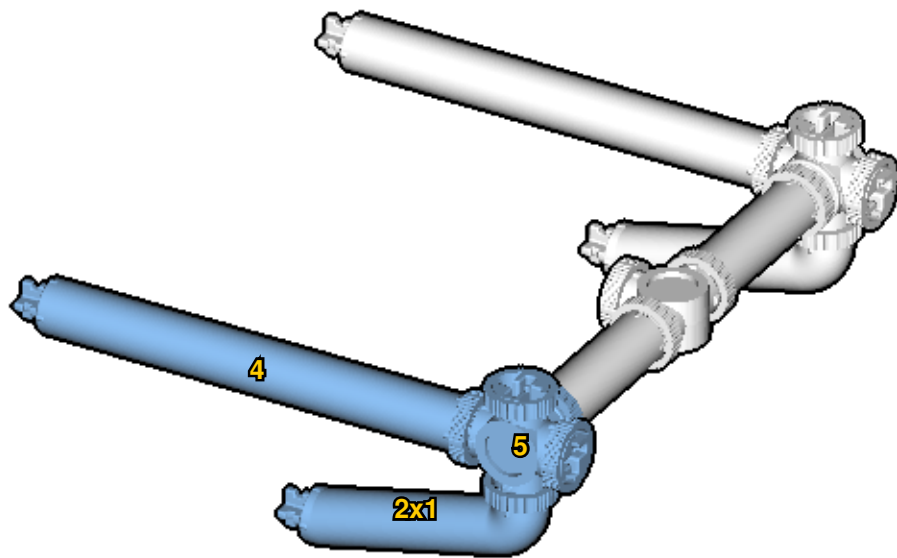
38

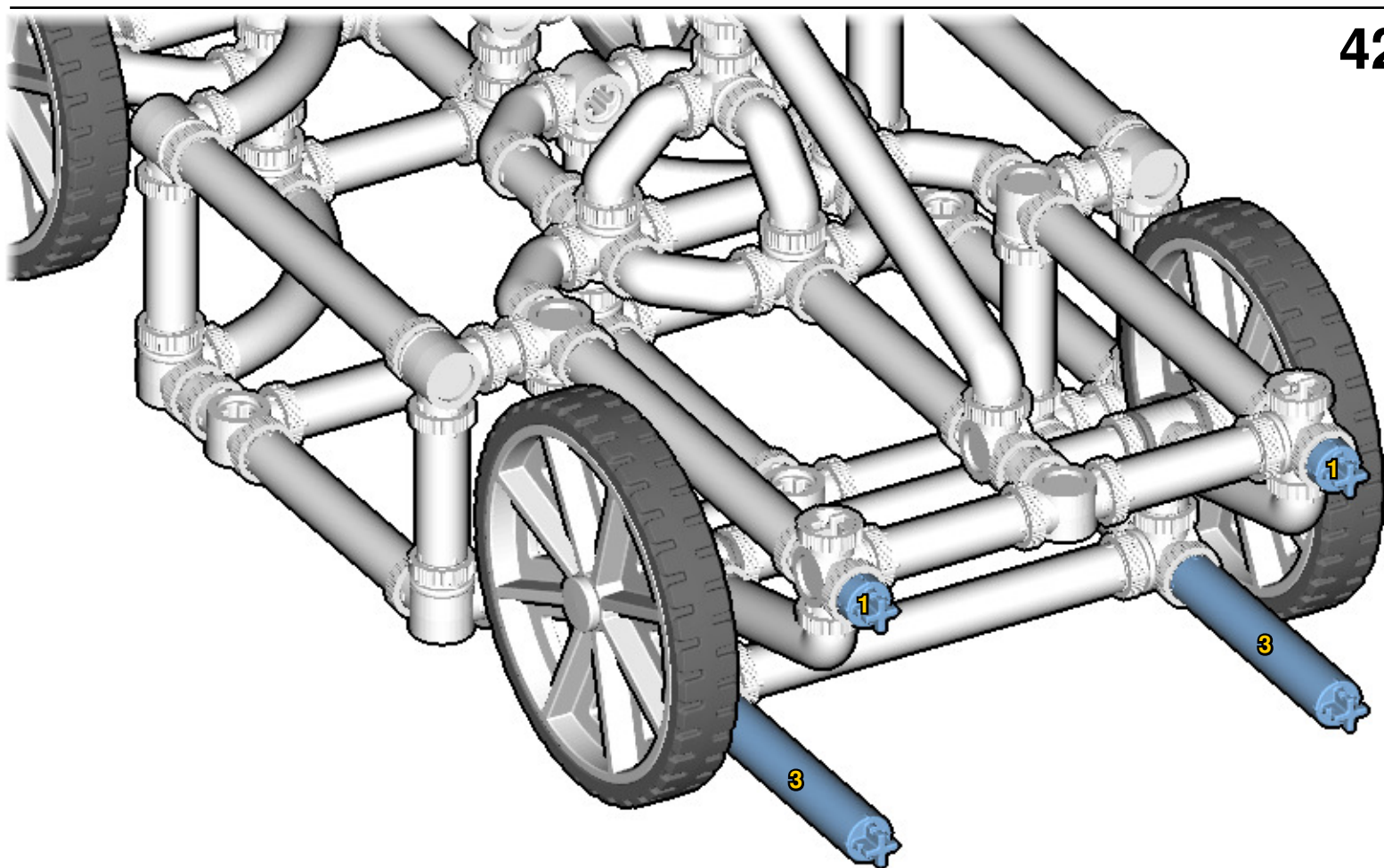
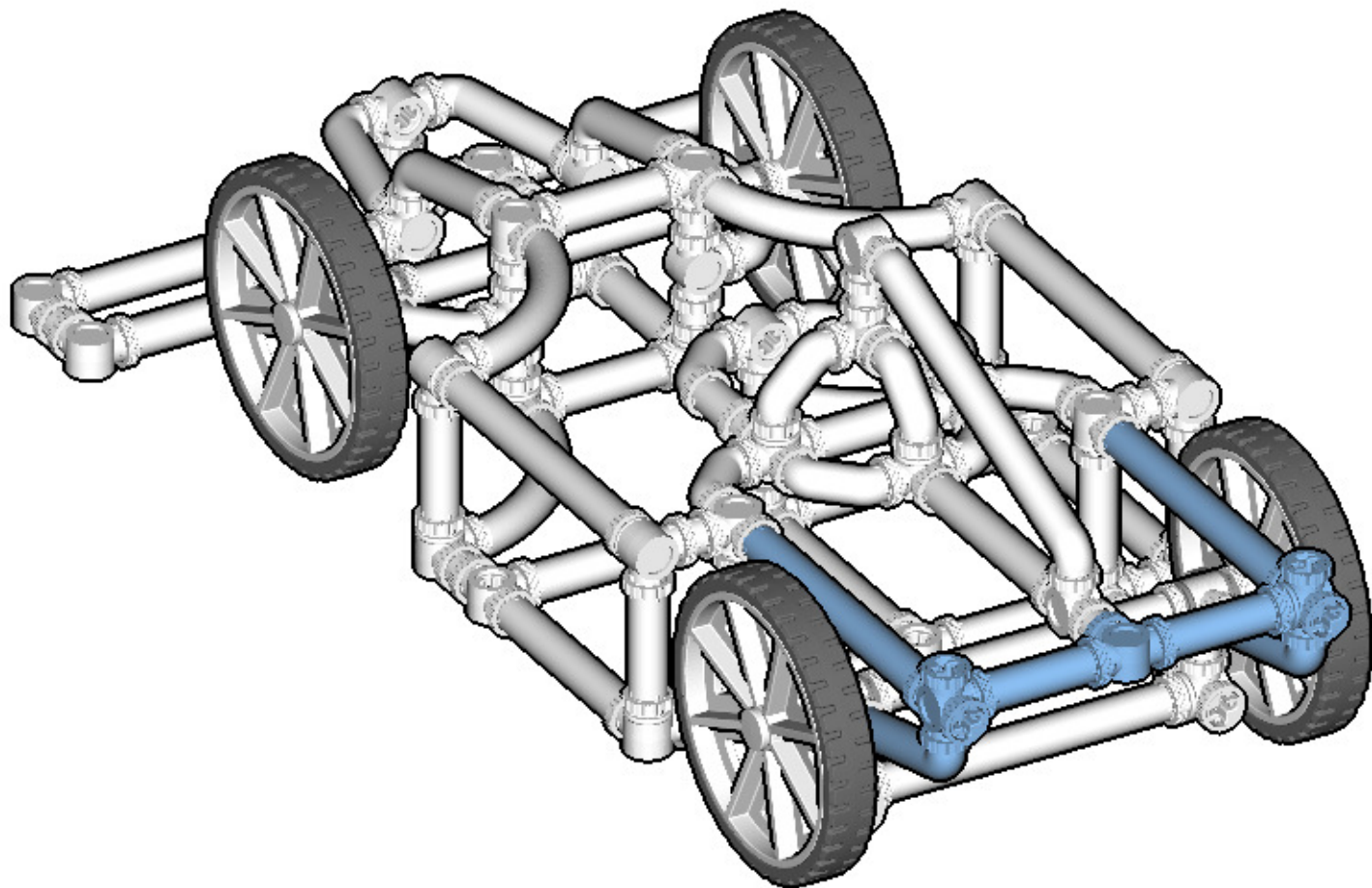


39

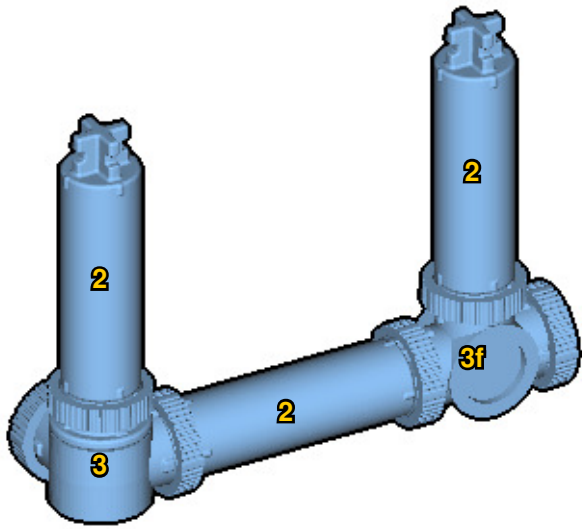


40

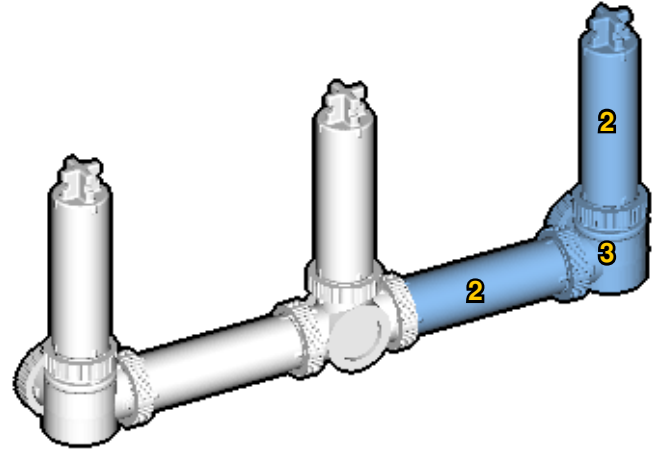




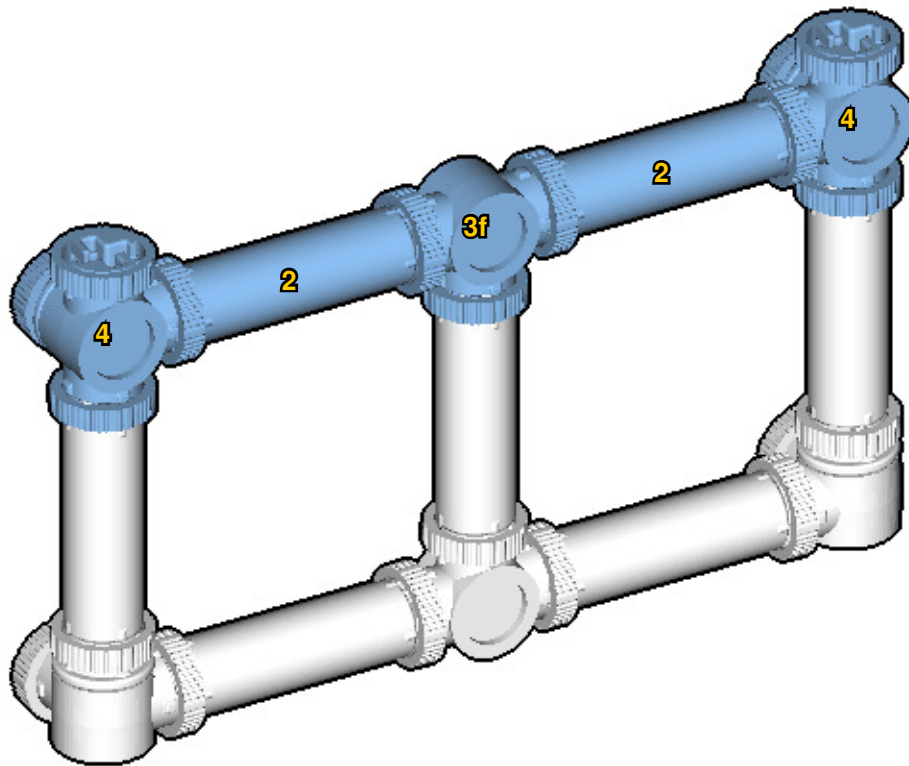
43

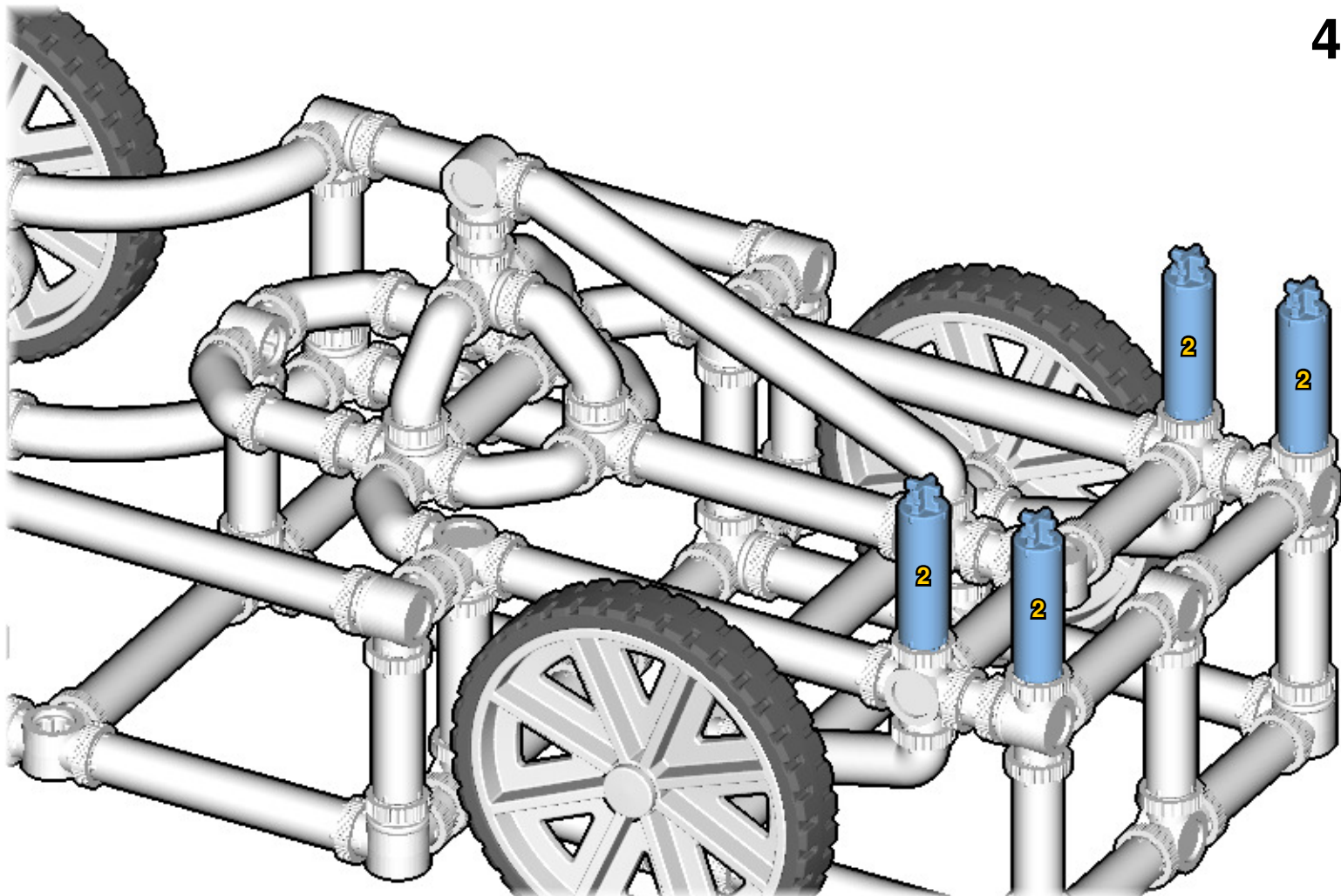
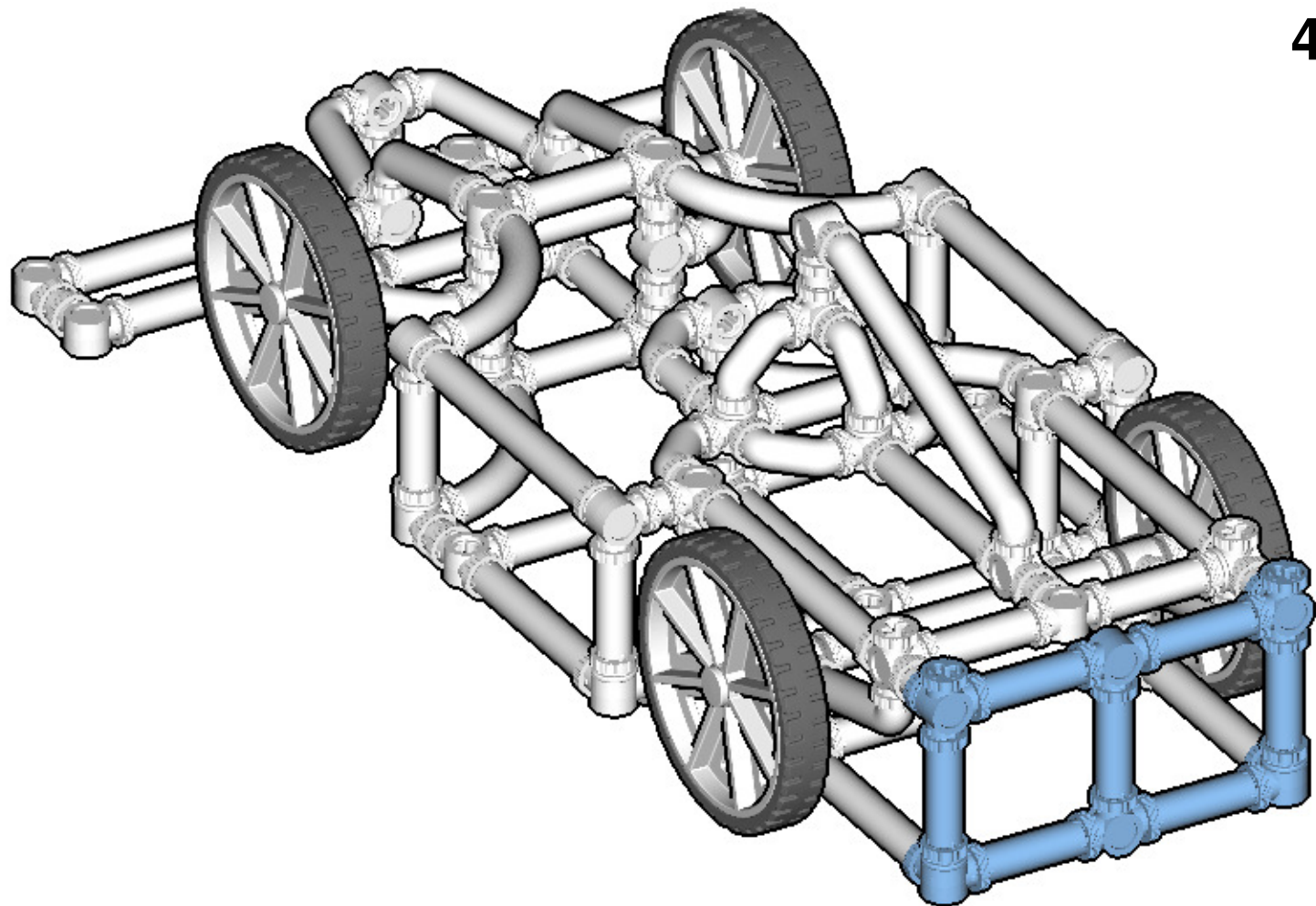


44

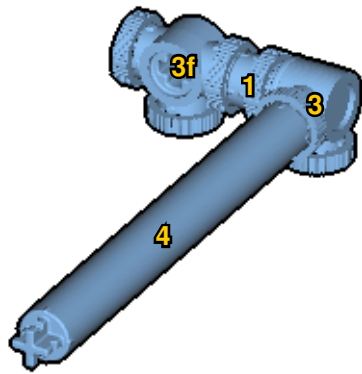


45

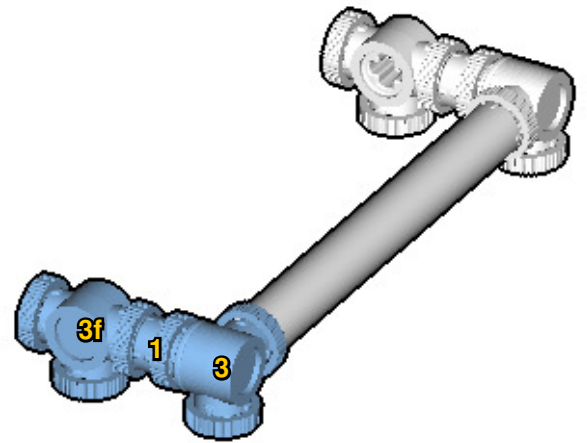




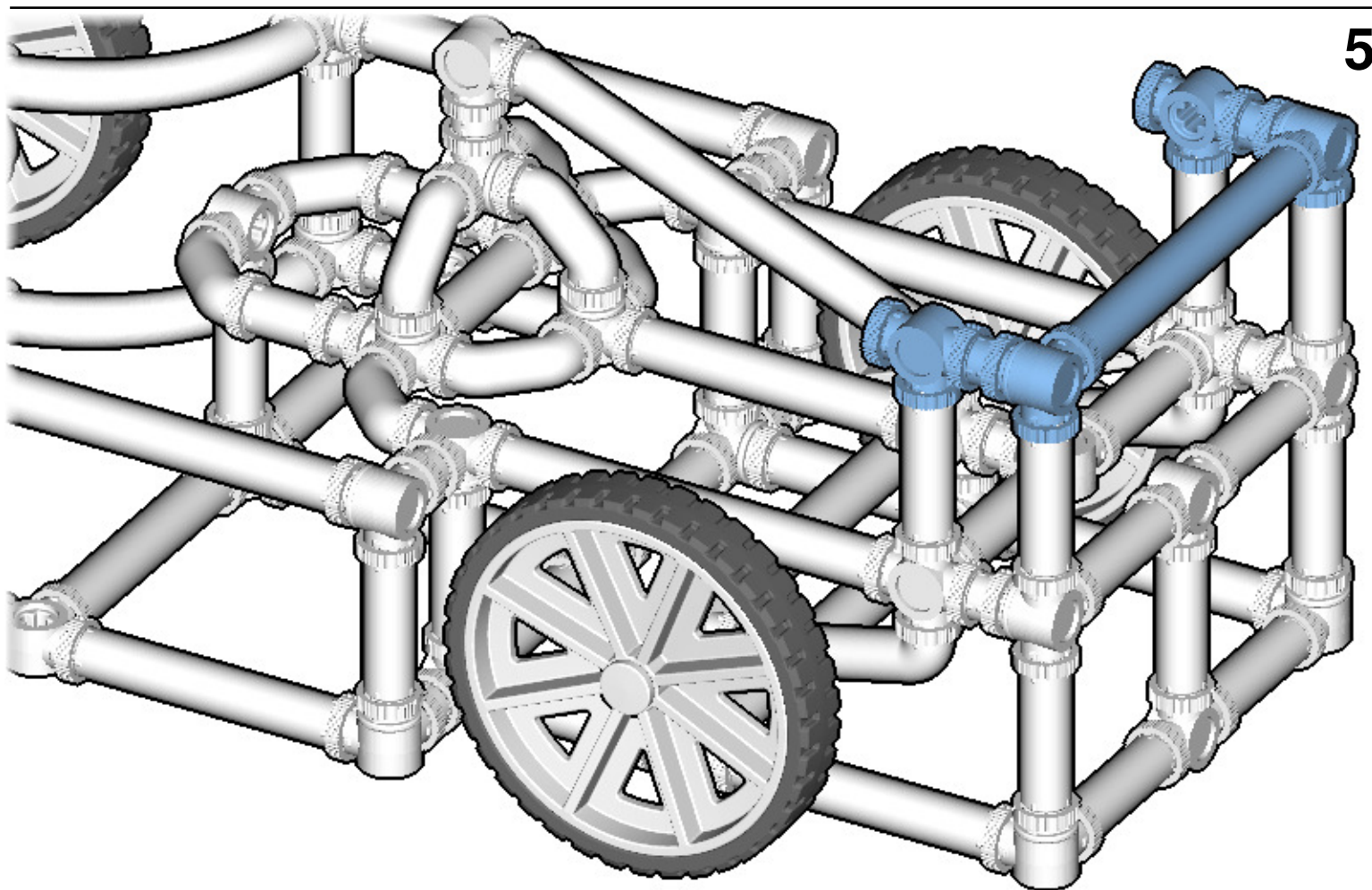
48

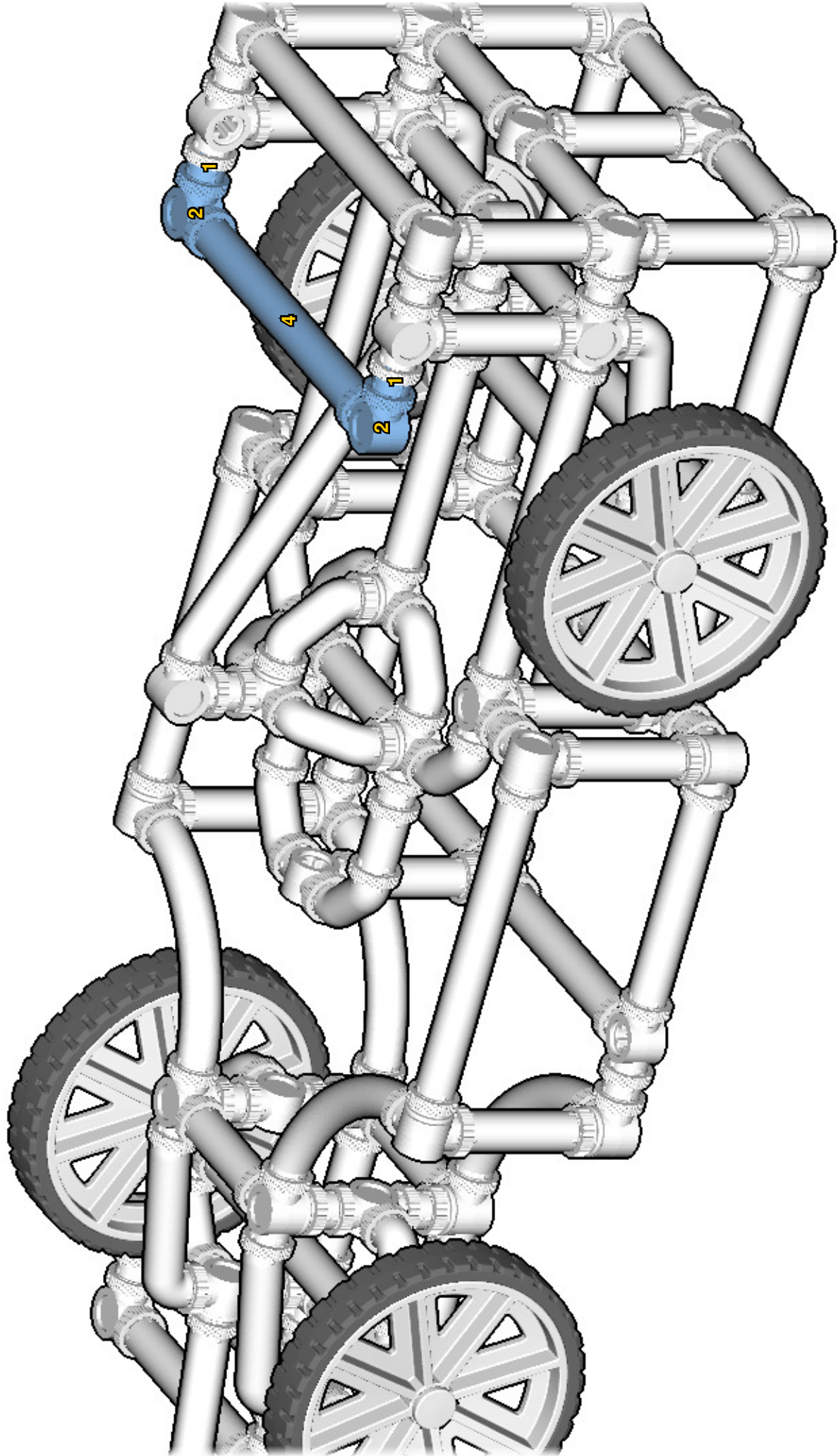


49

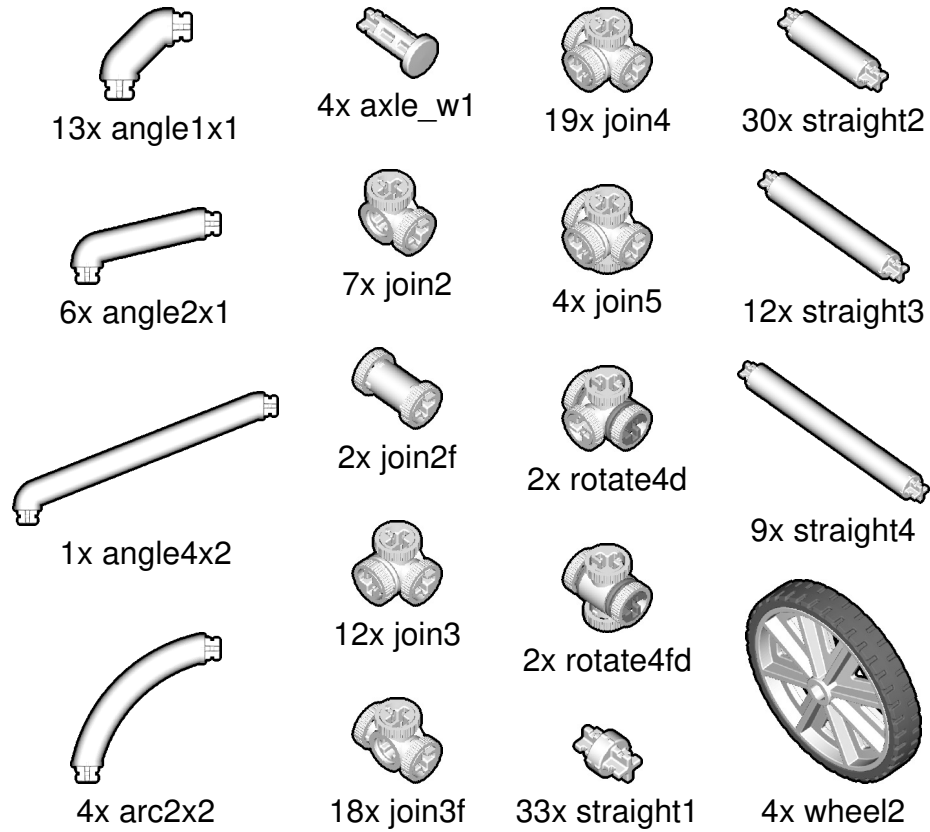


50





INVENTORY



ACTUAL SIZE

