

# GALLEON

SIZE	1.9ft x 1.3ft x 0.6ft	PIECES	298
DESIGNER	Derek Sharman	MADE IN	U.S.A.

⚠ WARNING: Small parts. Age 14+. Not a toy. Handle responsibly. U.S. Patent 9,086,087.

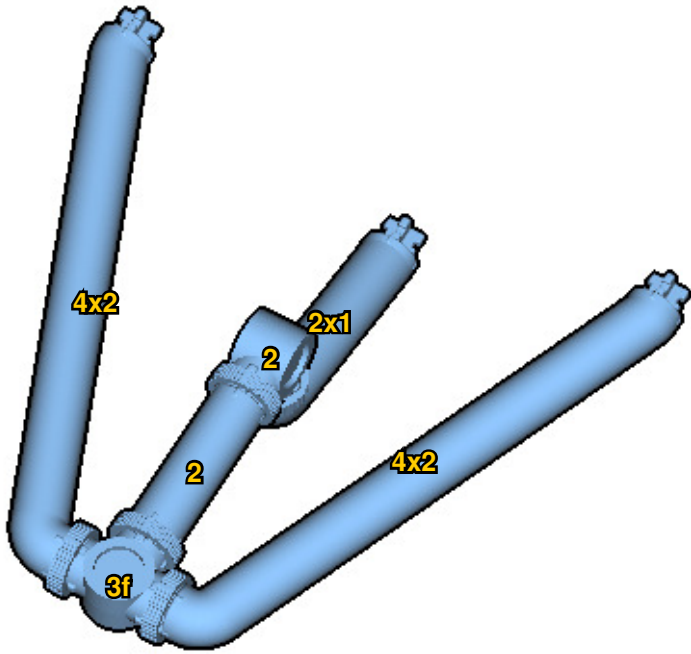


Wrong  
Connecting/Disconnecting Two Directions



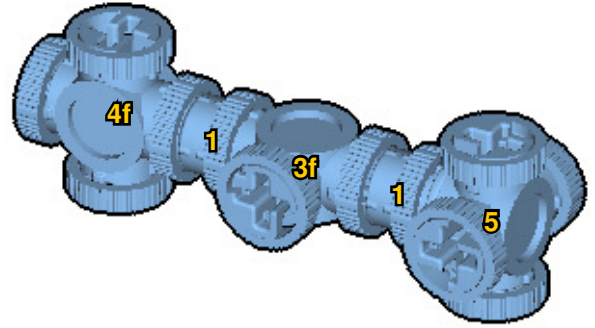
Right  
Connecting/Disconnecting One Direction

1

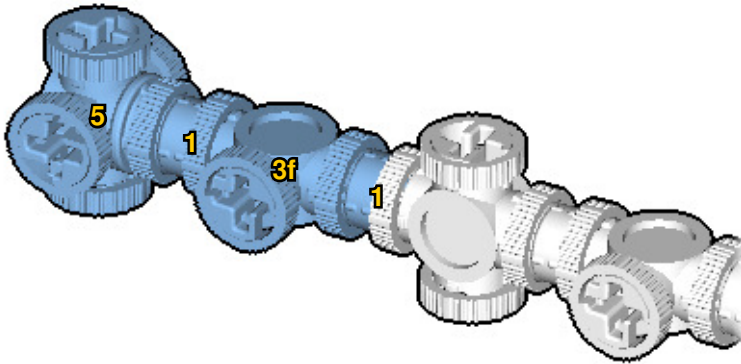


New pieces are drawn blue. Old pieces are drawn white.  
See back for piece names.

Submodel begins → 2

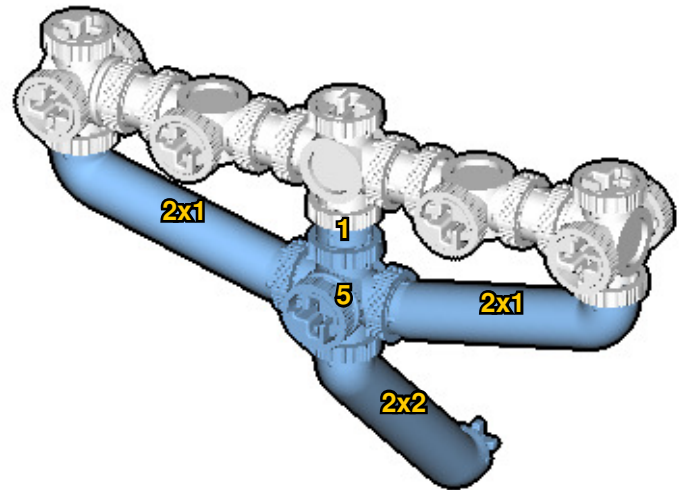


3

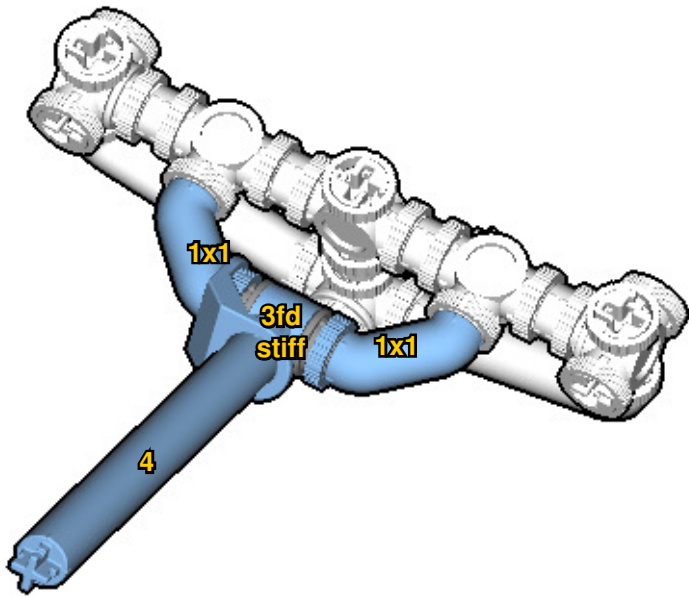


Connect new pieces together before connecting to old pieces.

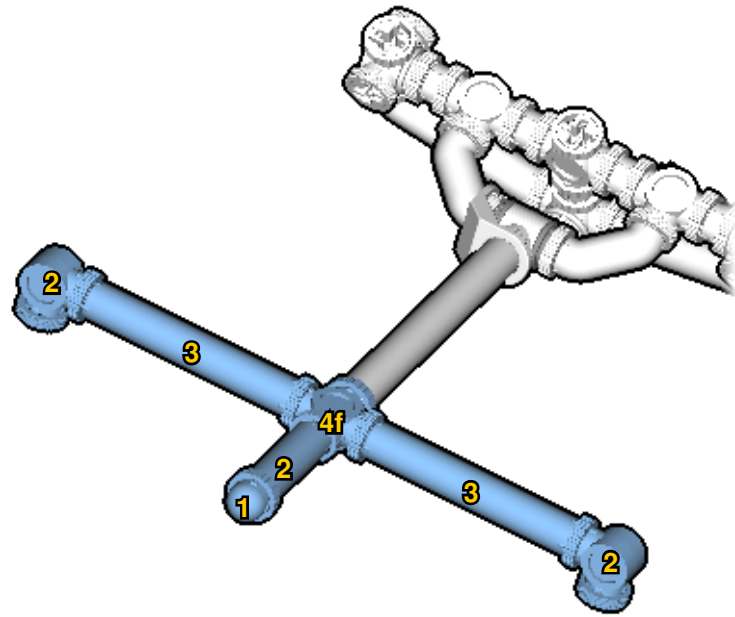
4



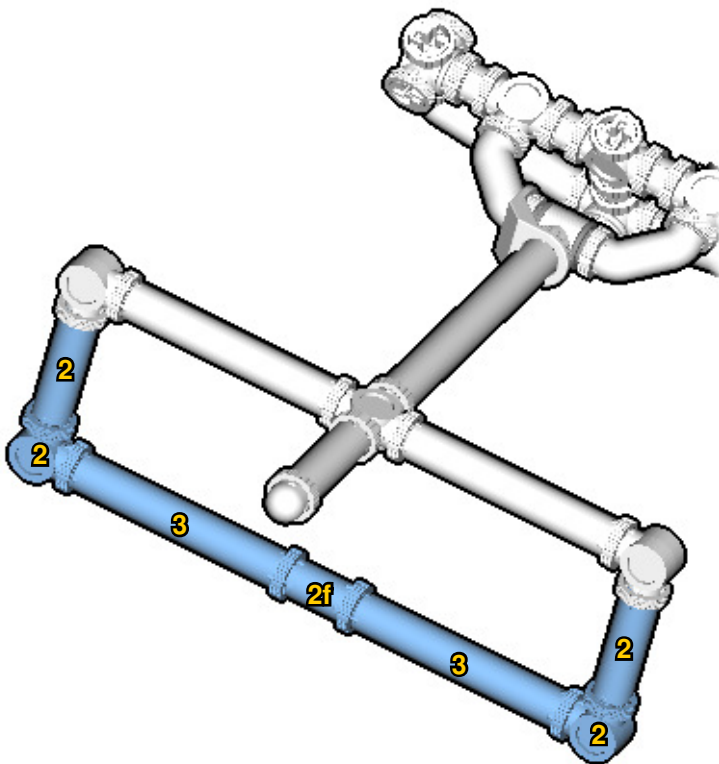
5



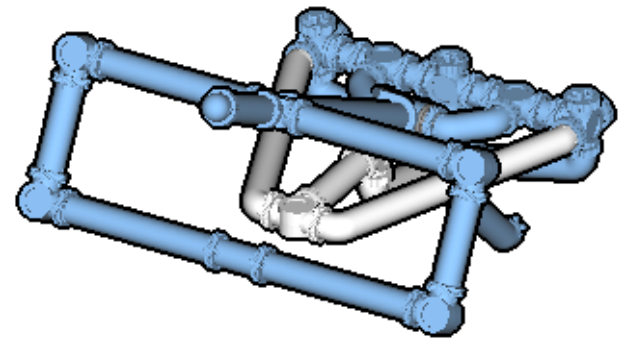
6



7

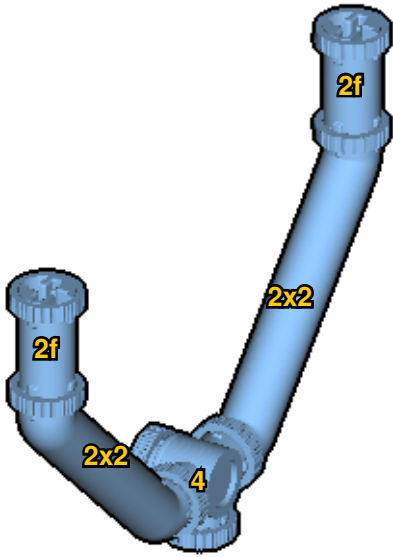


Submodel ends → 8

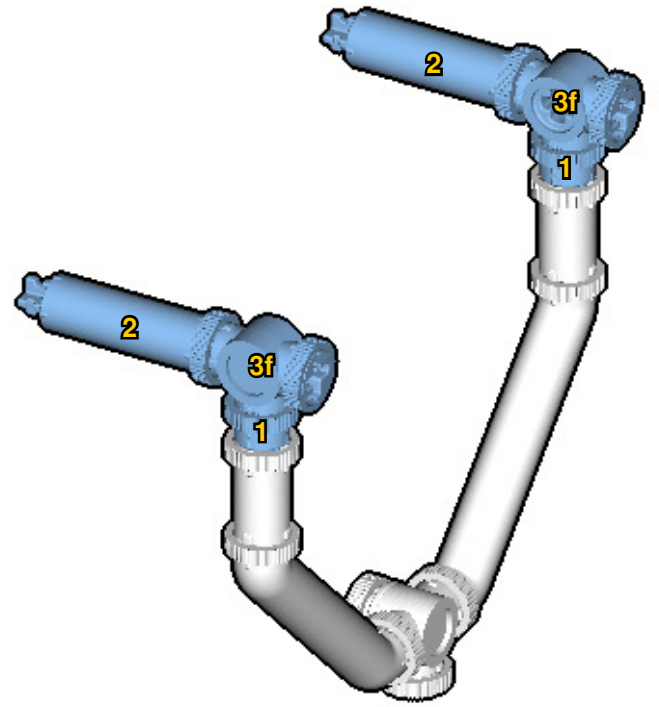


Connect submodel to model.

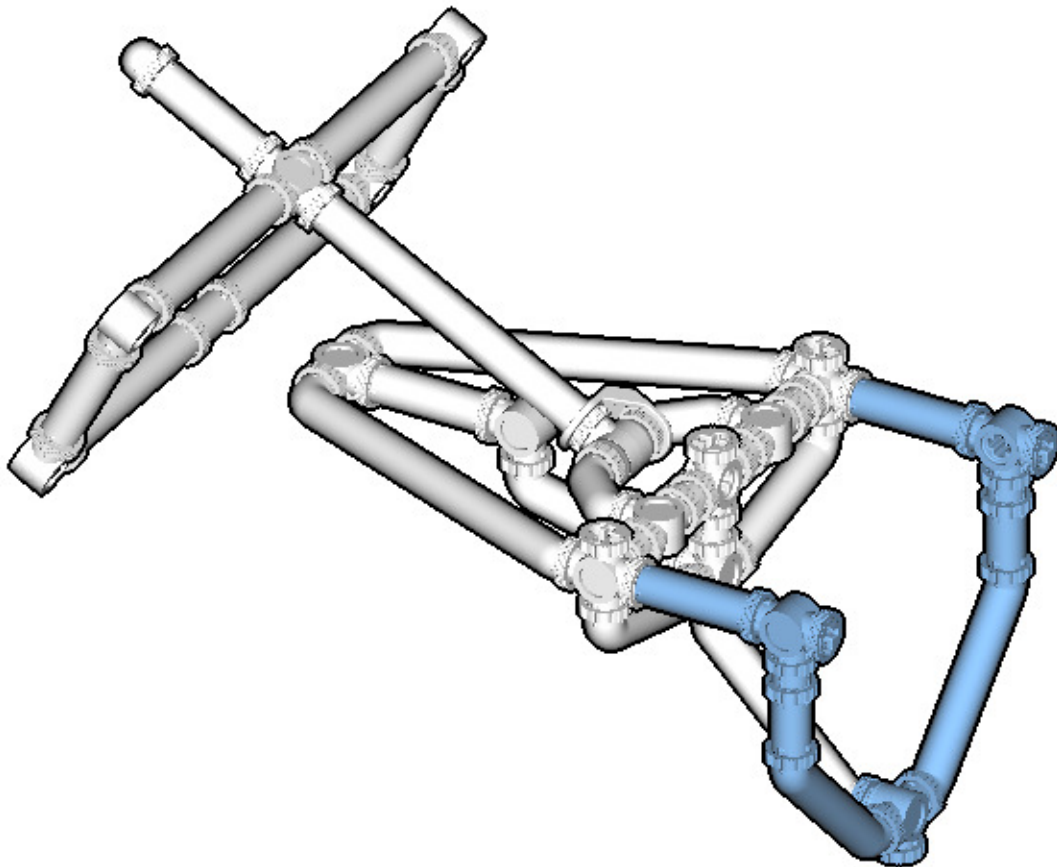
**9**



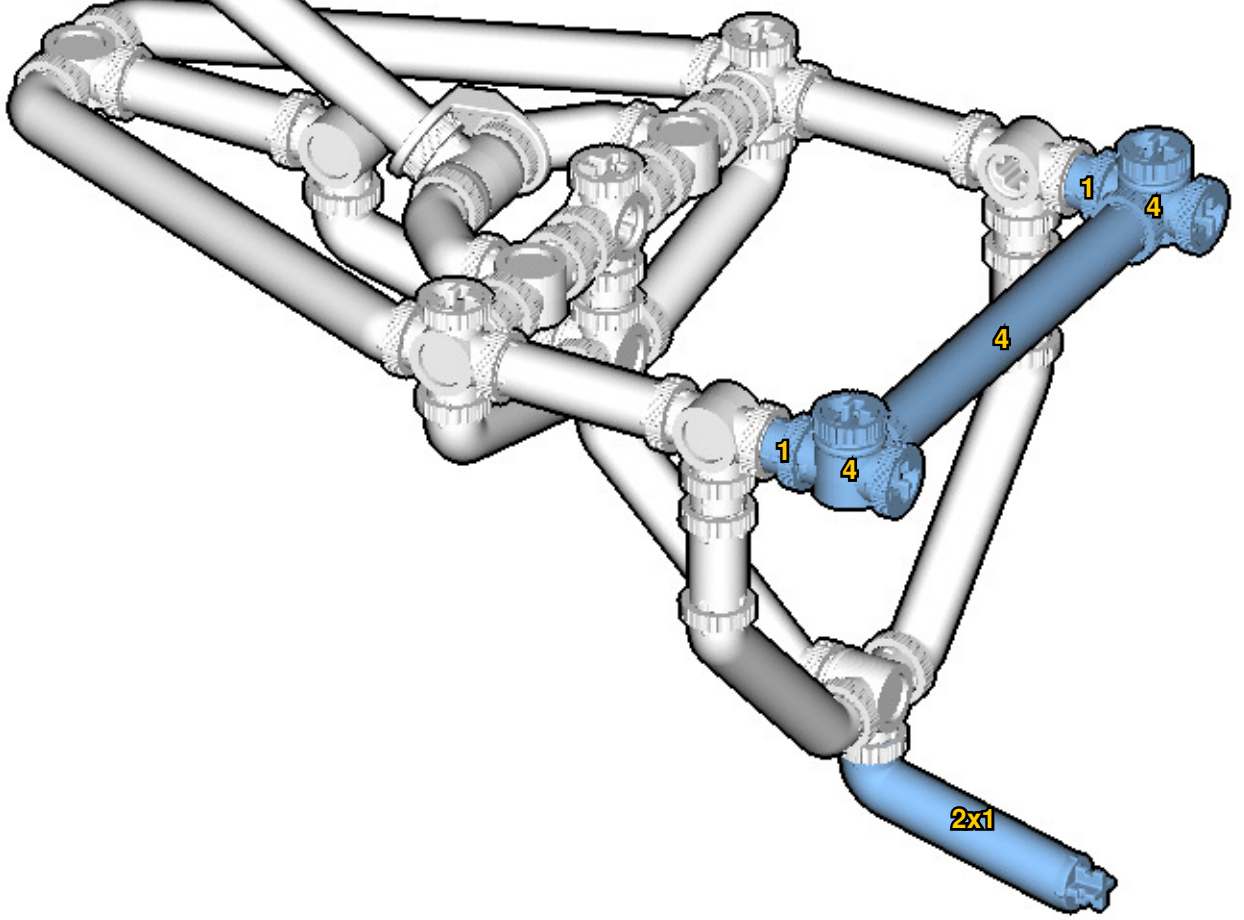
**10**



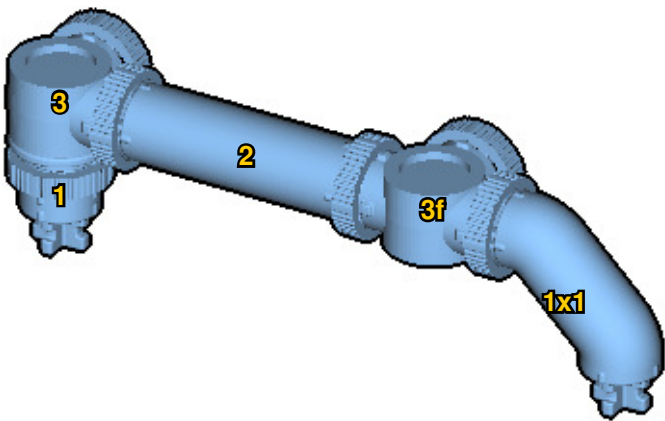
**11**



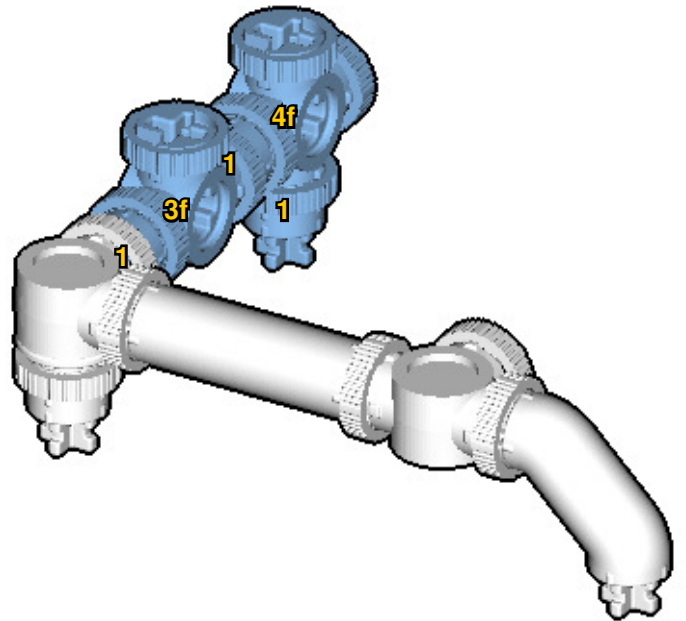
12



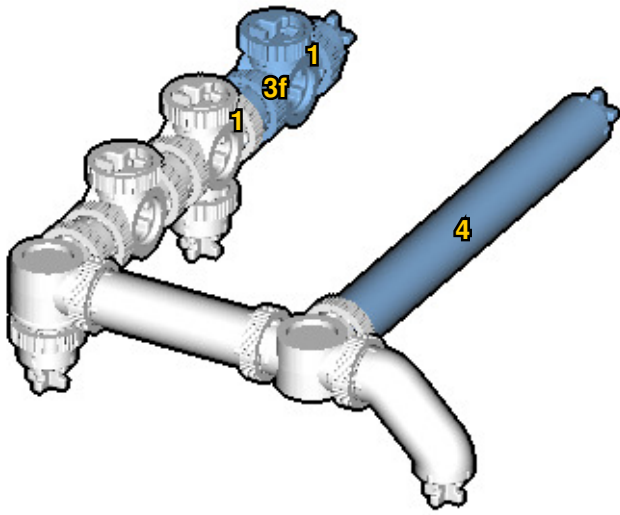
13



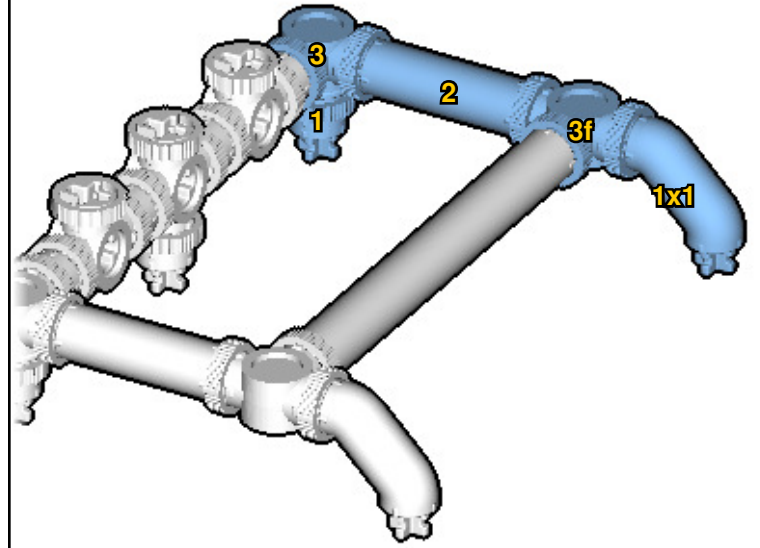
14



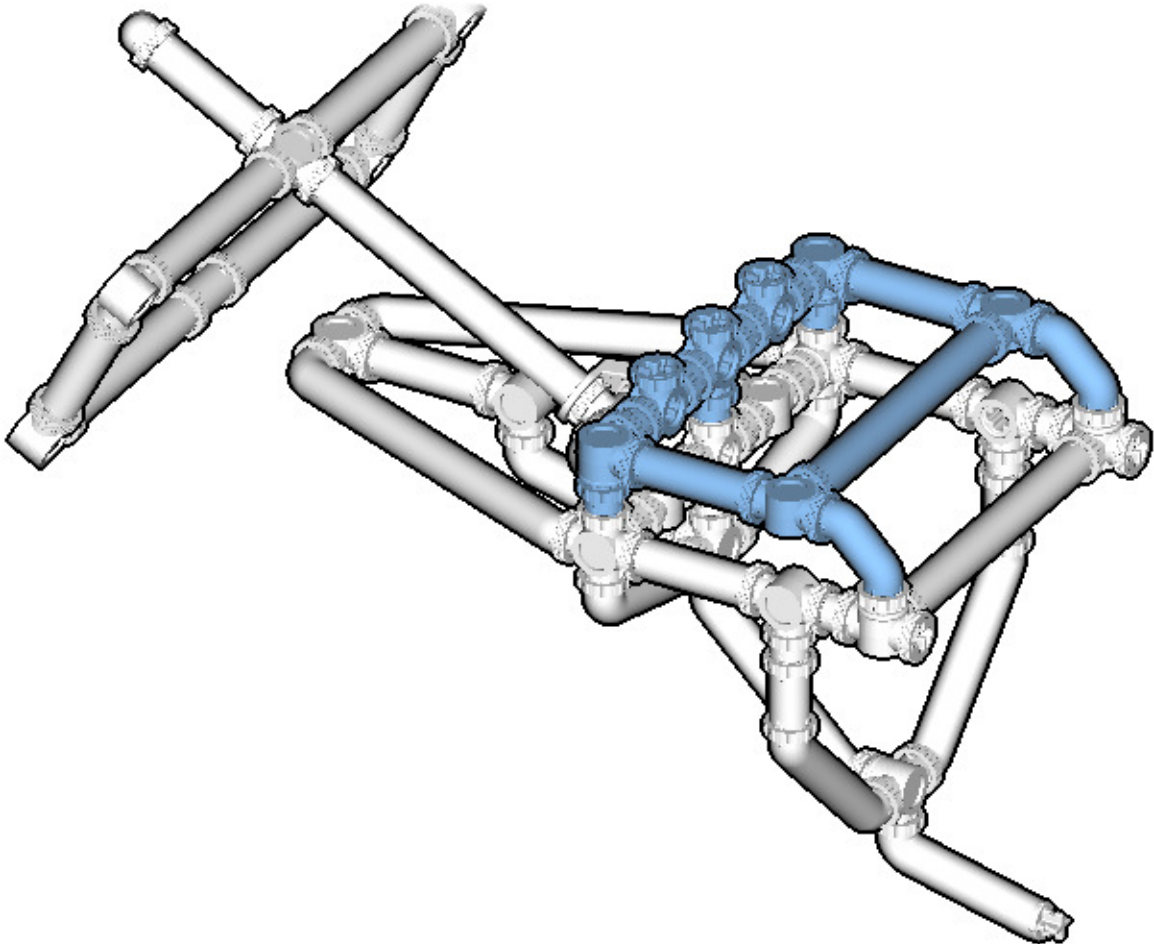
**15**



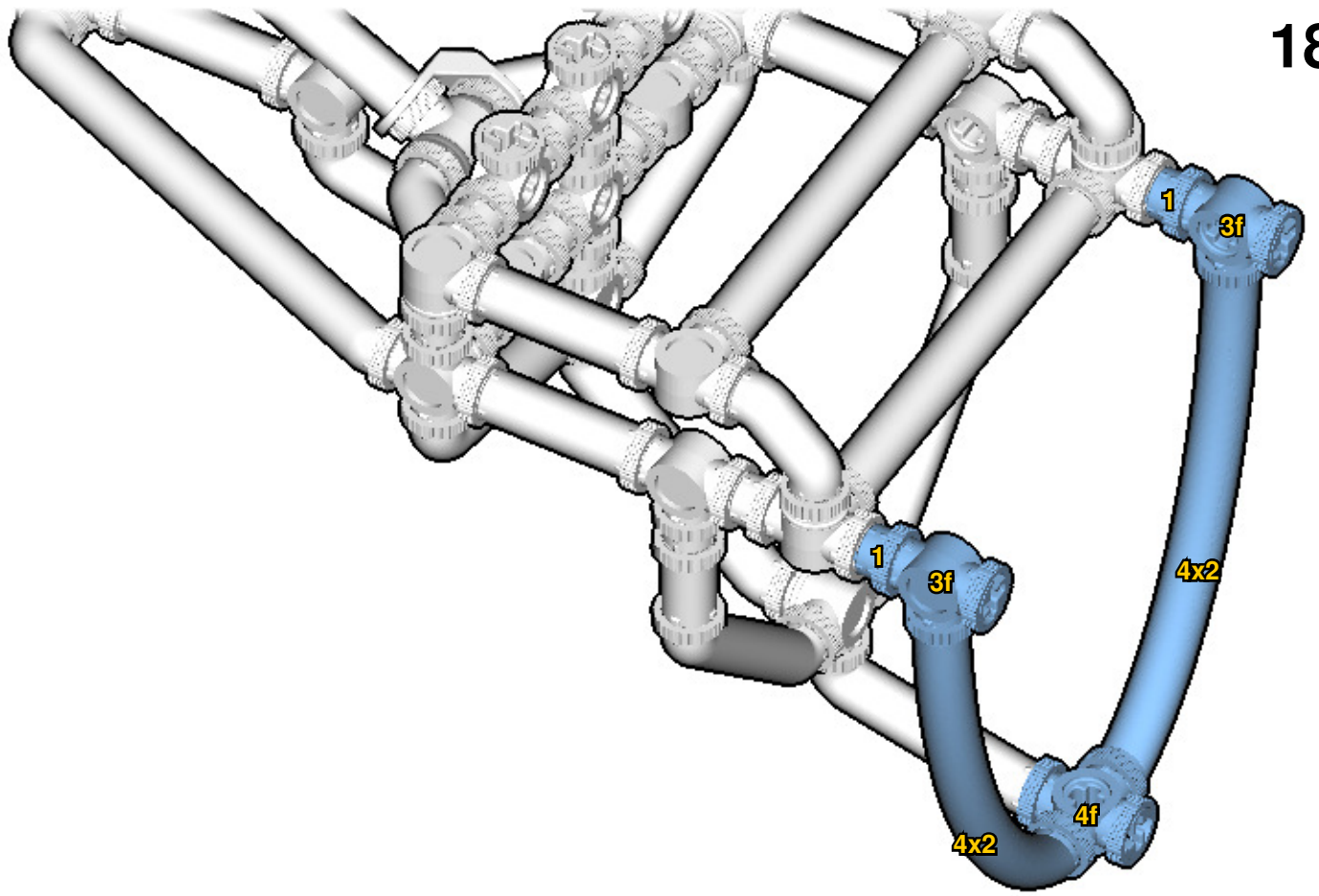
**16**



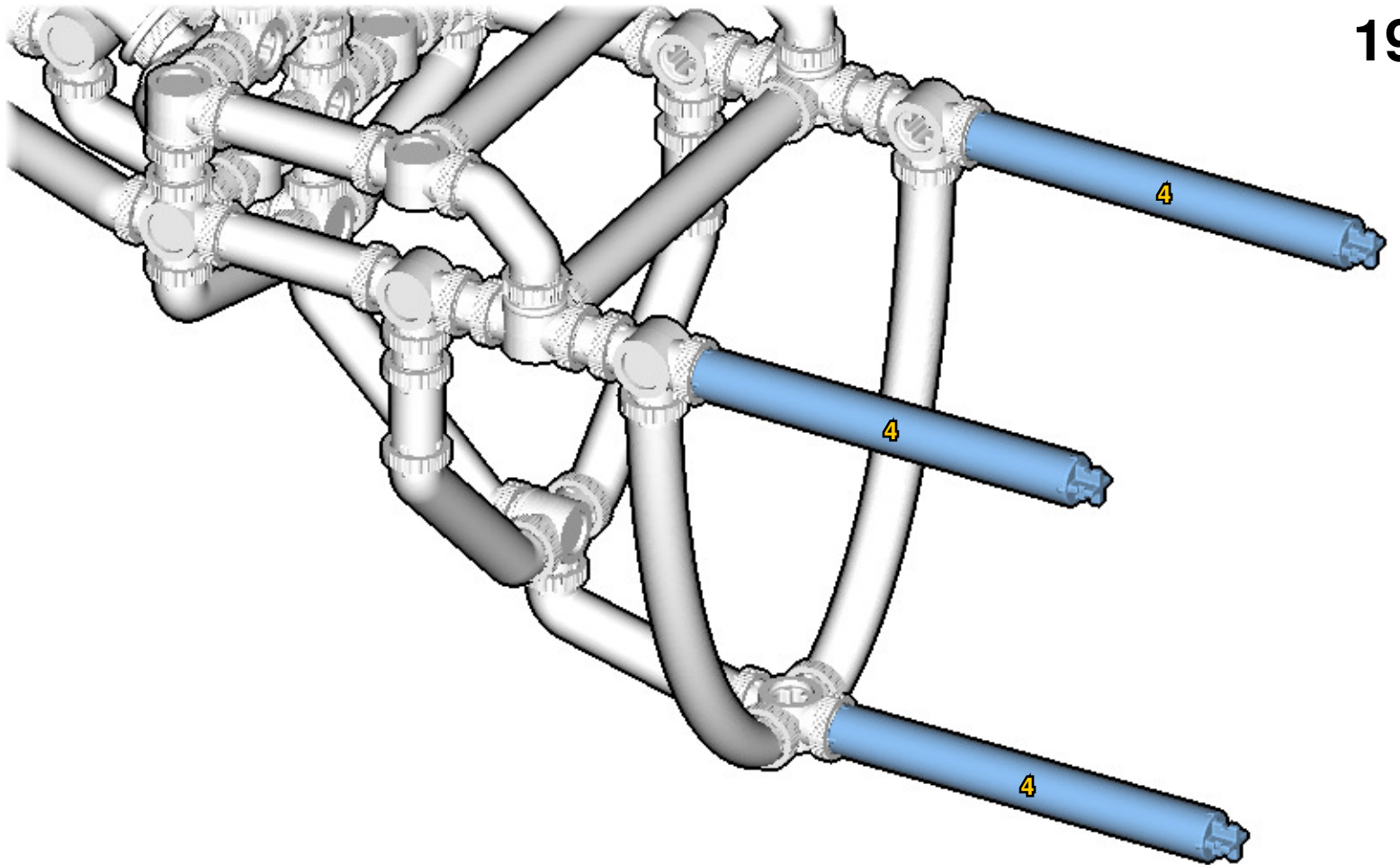
**17**



18

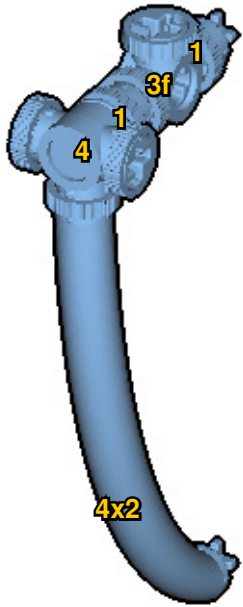


19

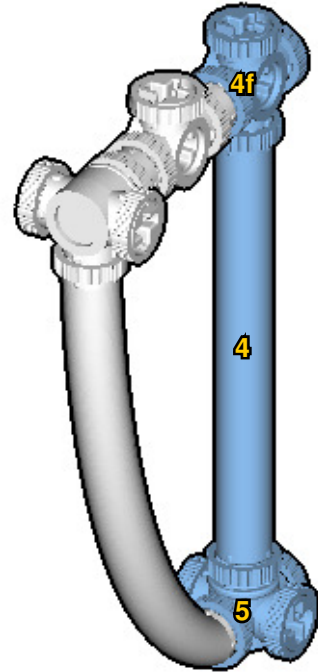




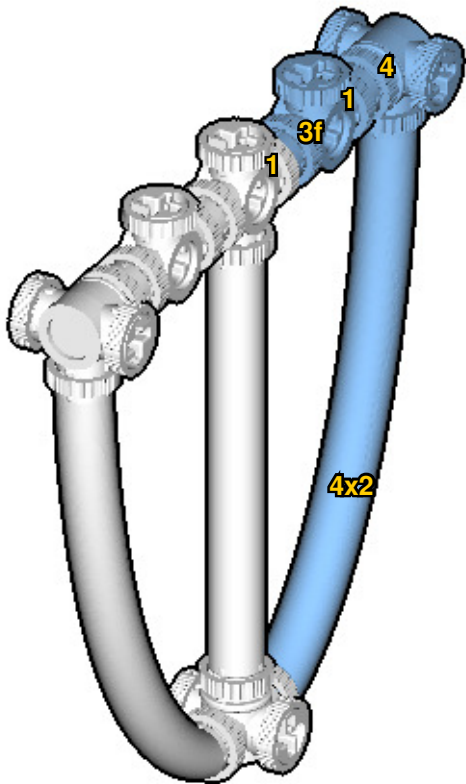
20



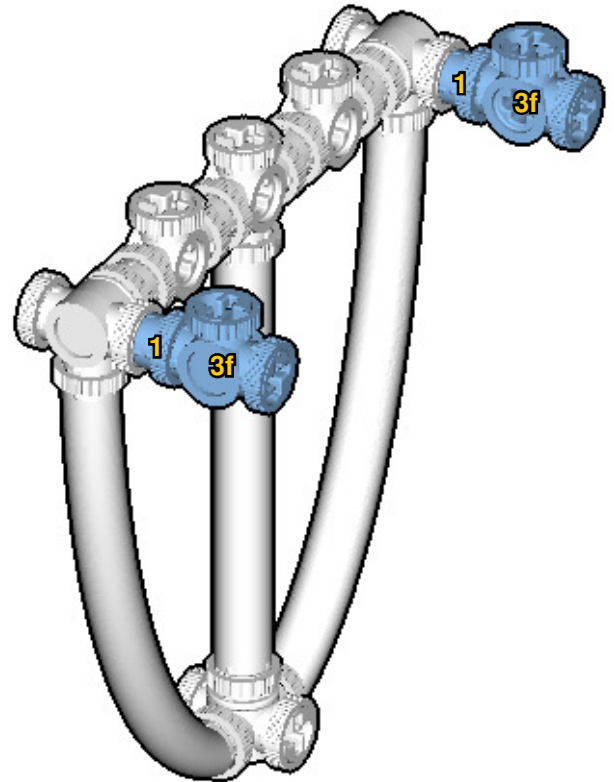
21

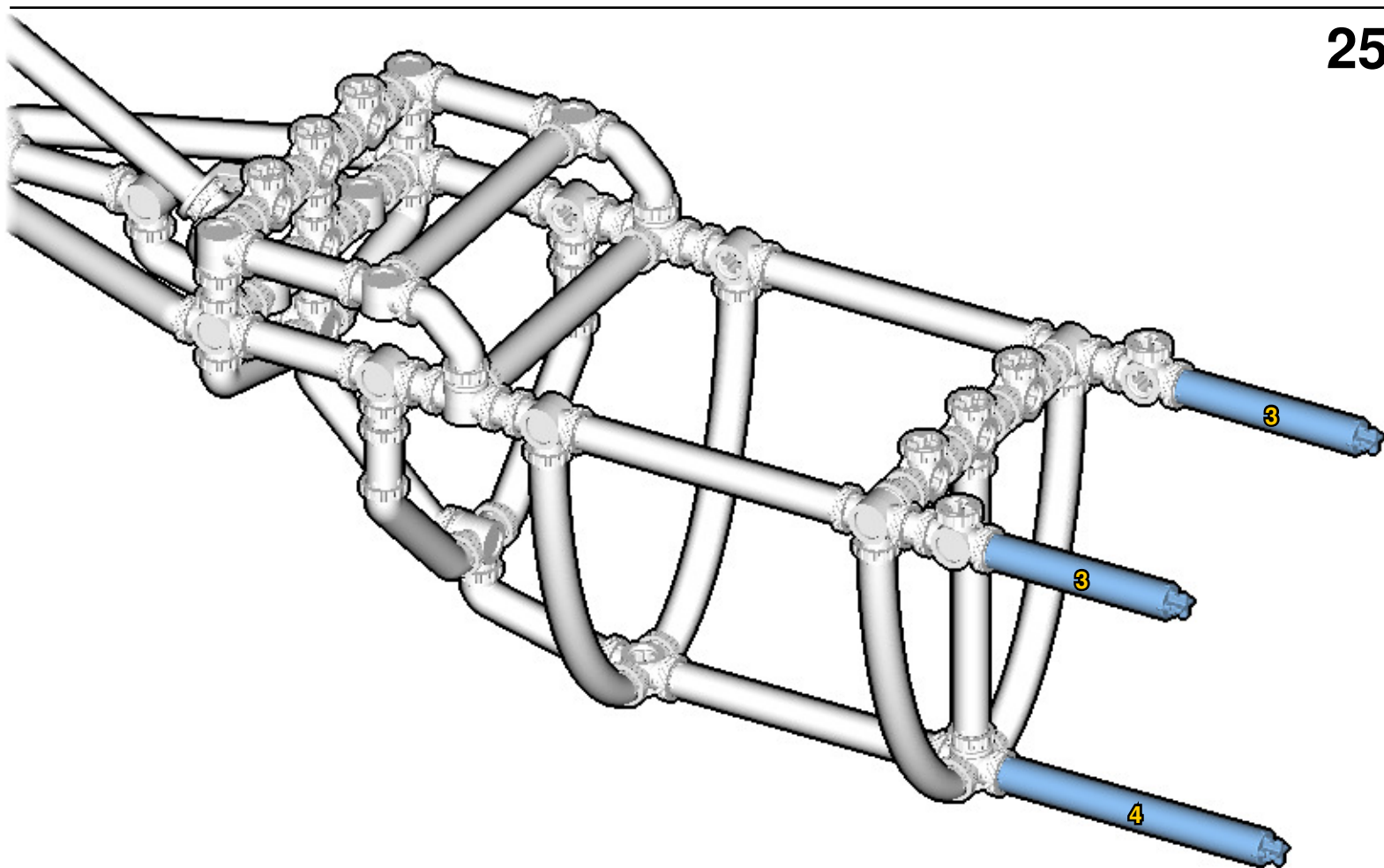
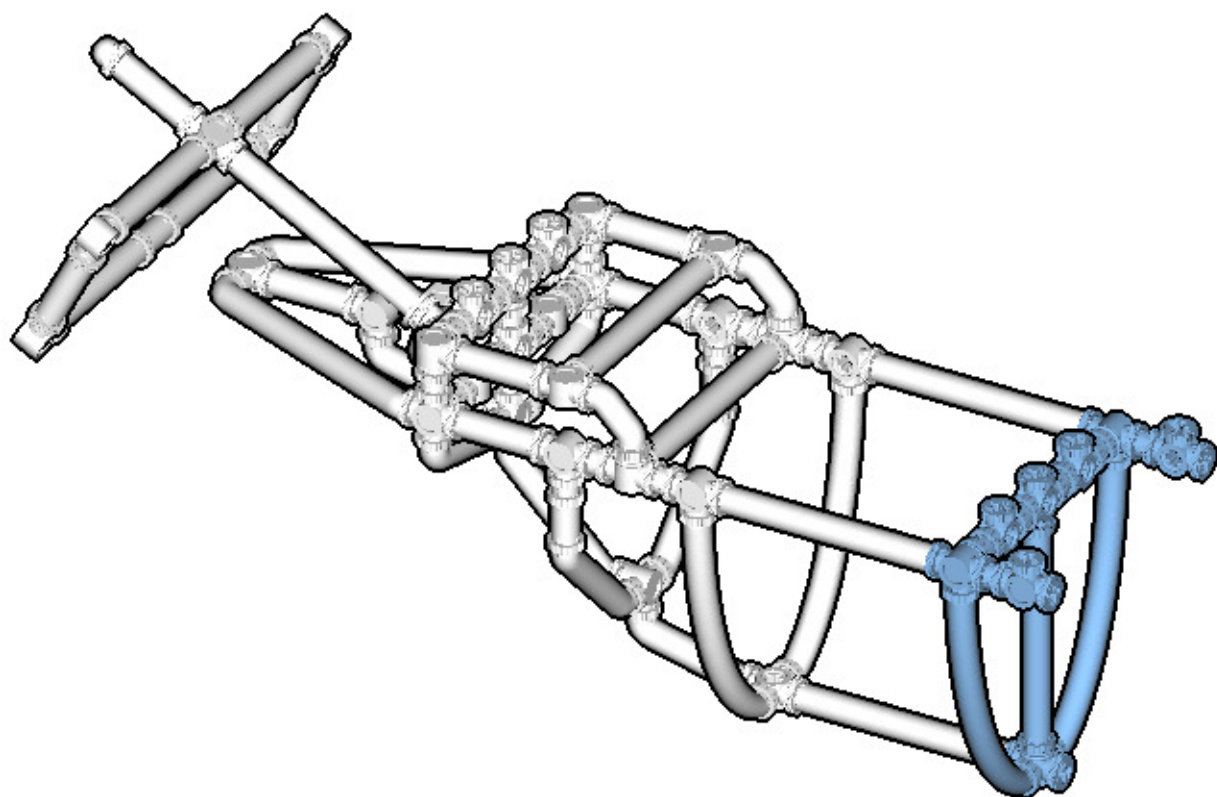


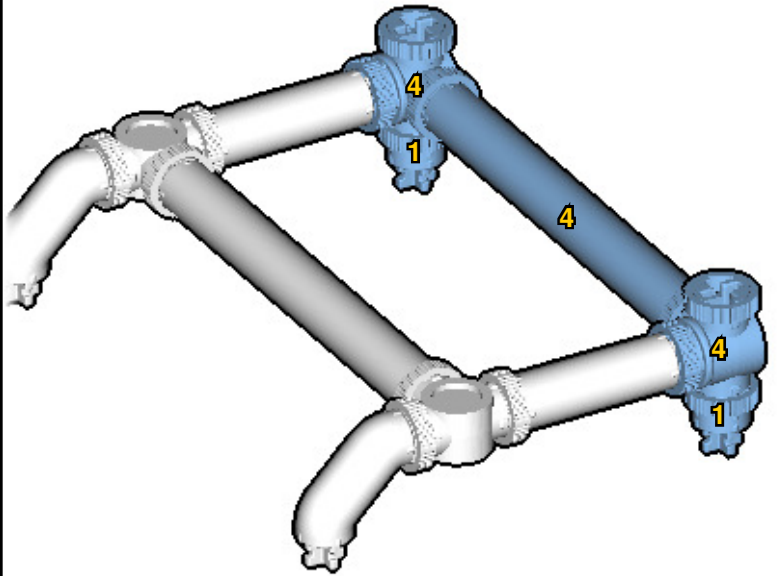
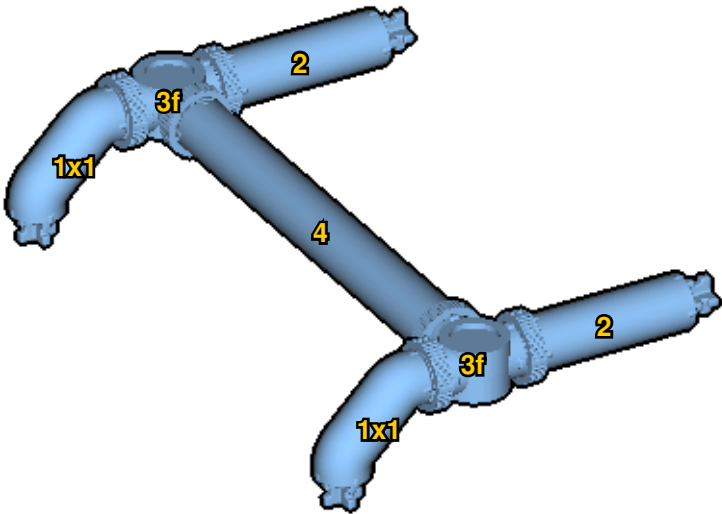
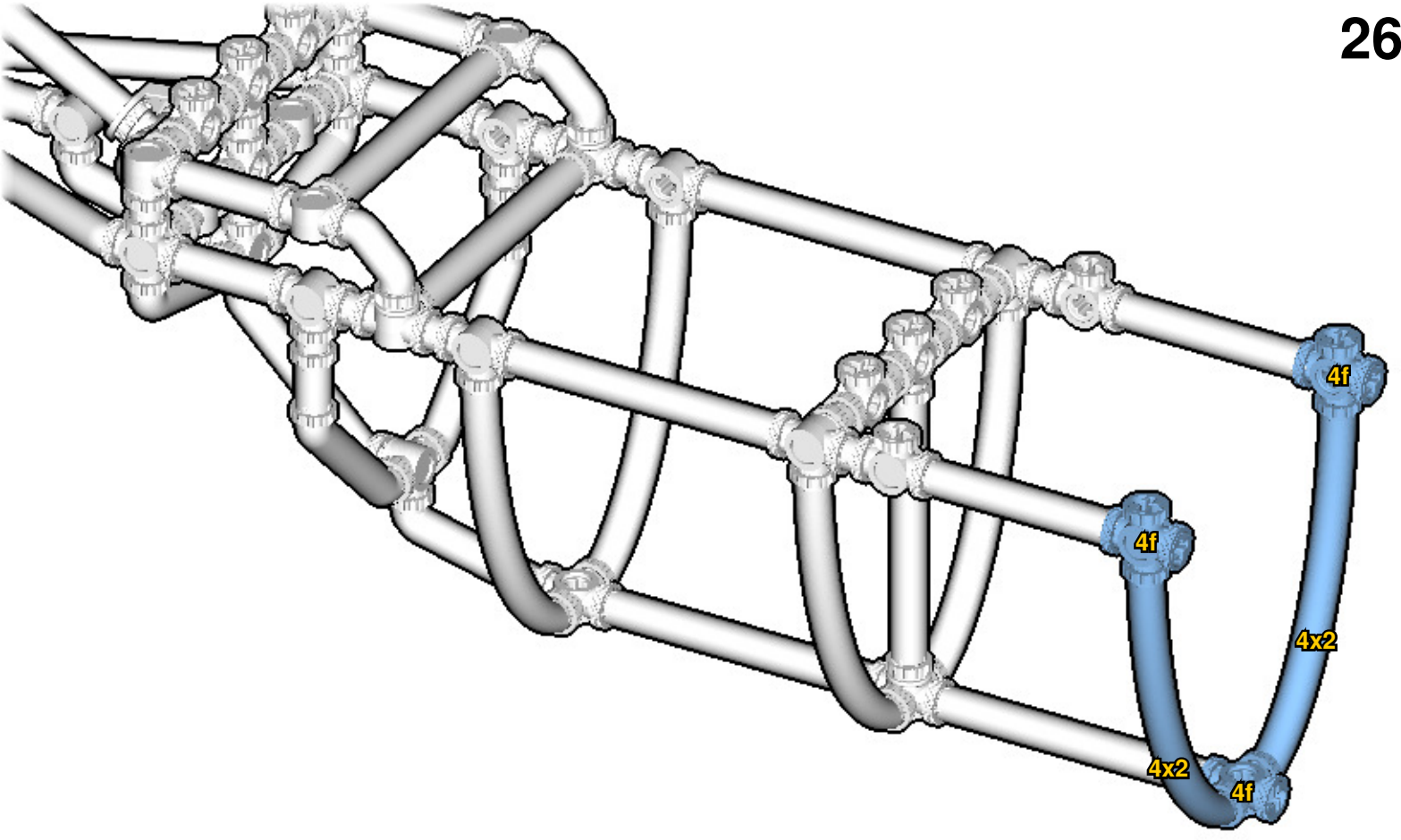
22



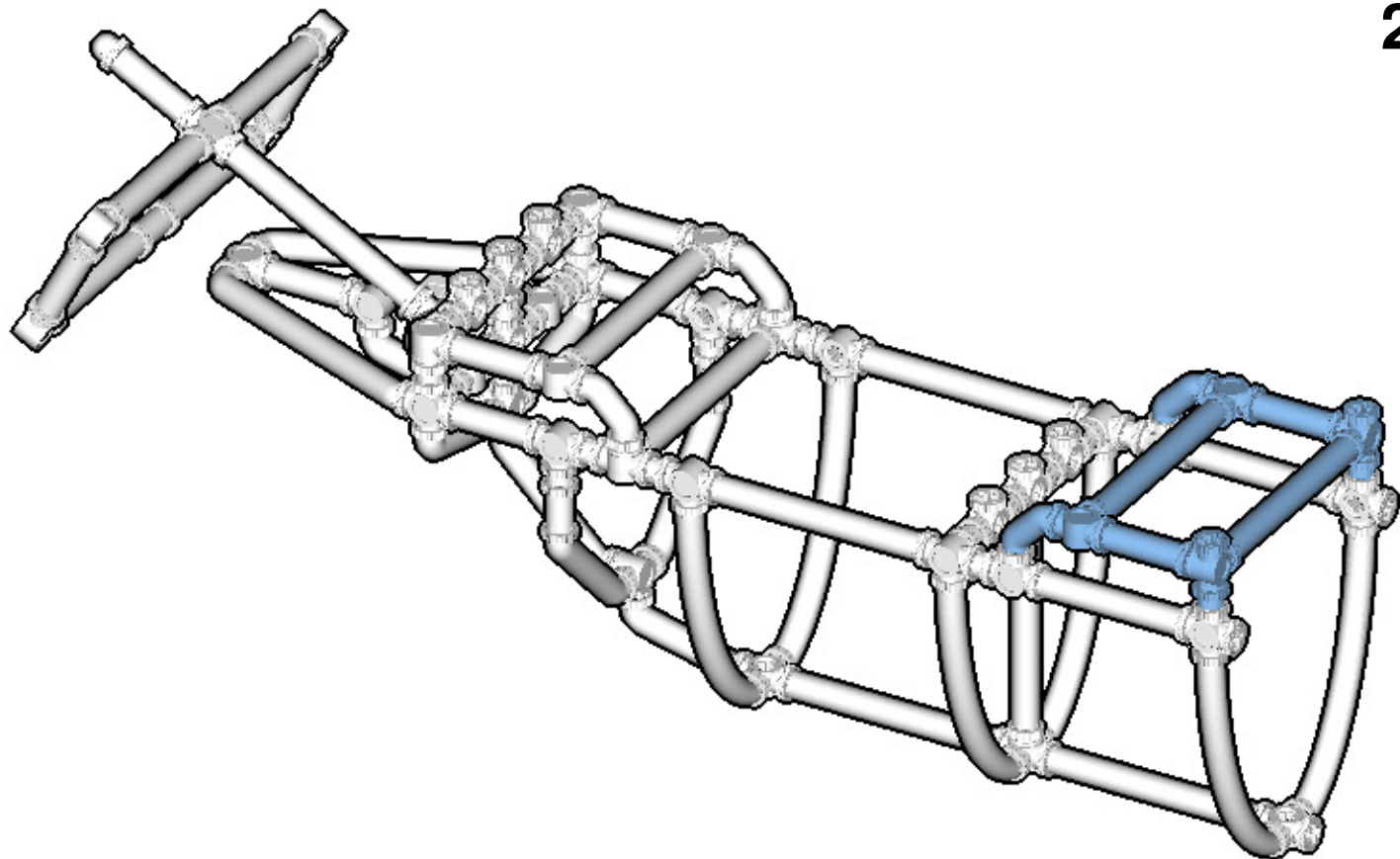
23



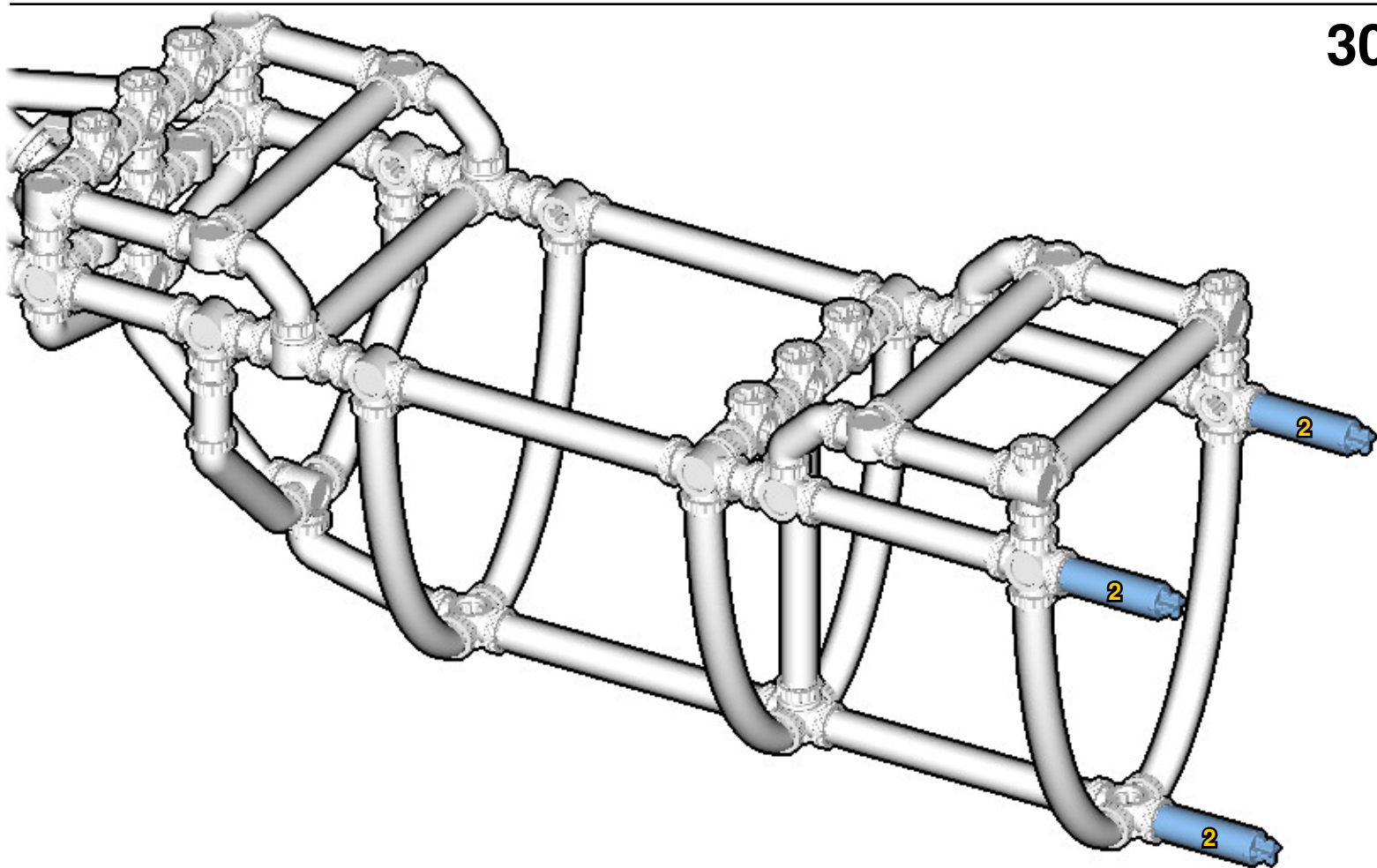




29



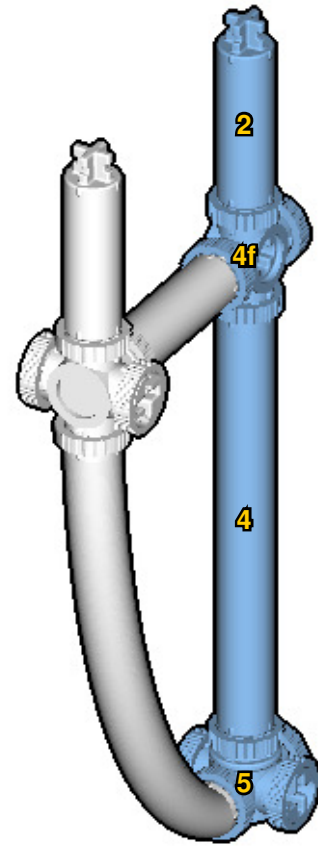
30



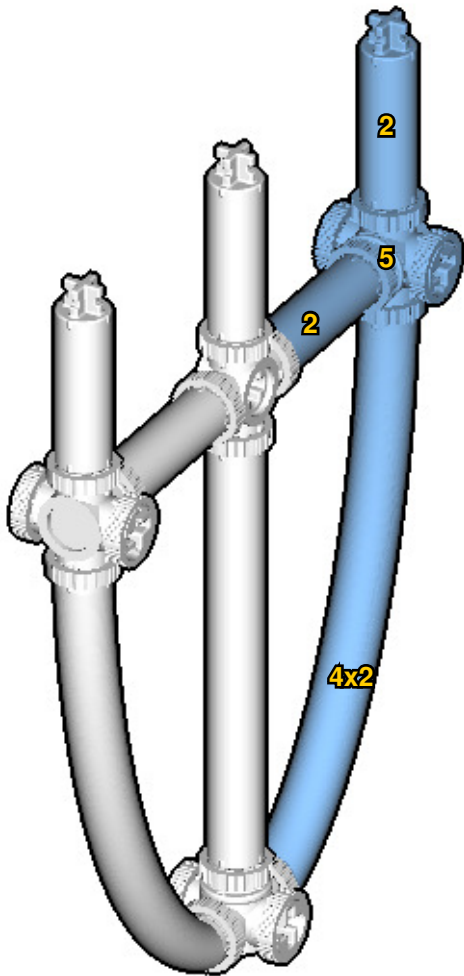
31



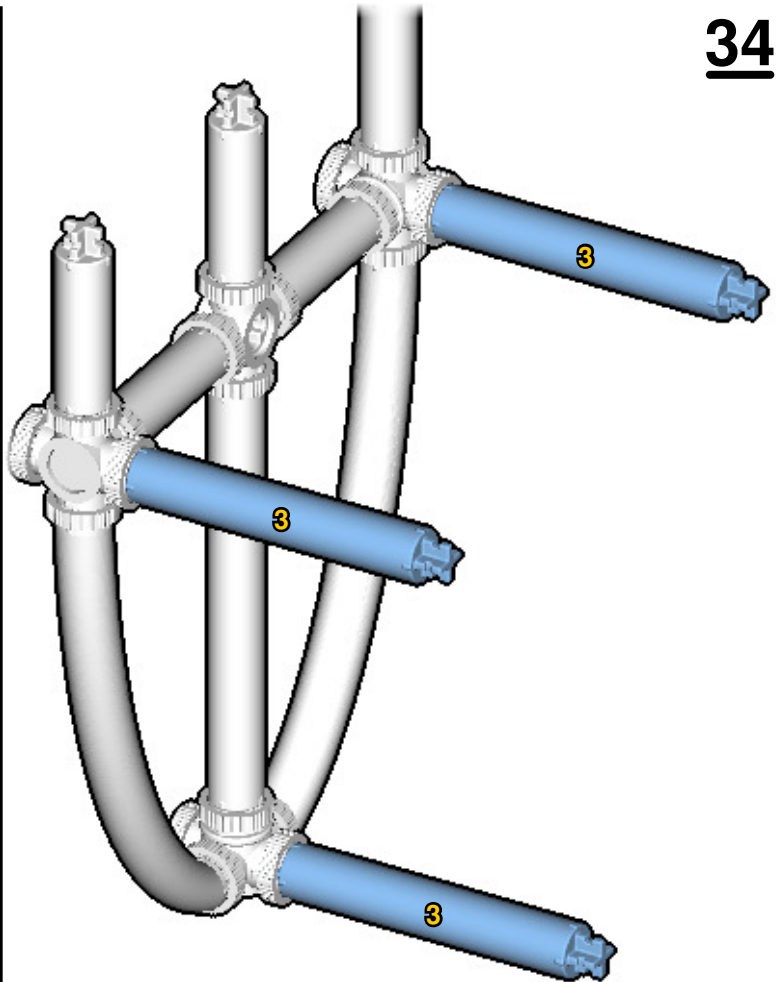
32

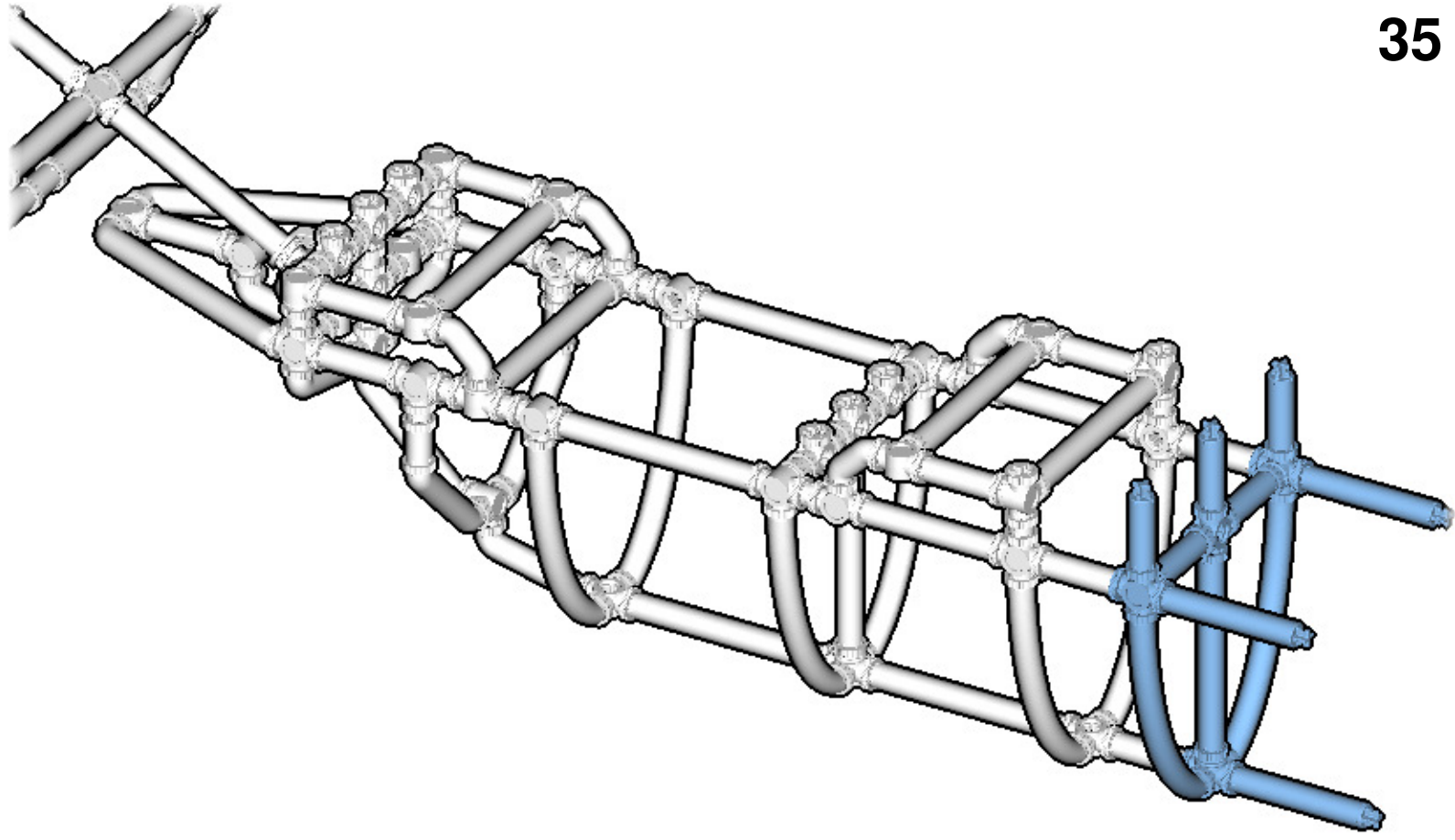


33

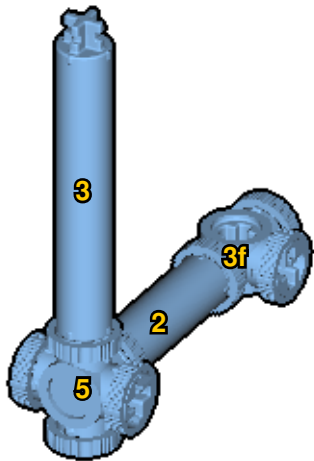


34

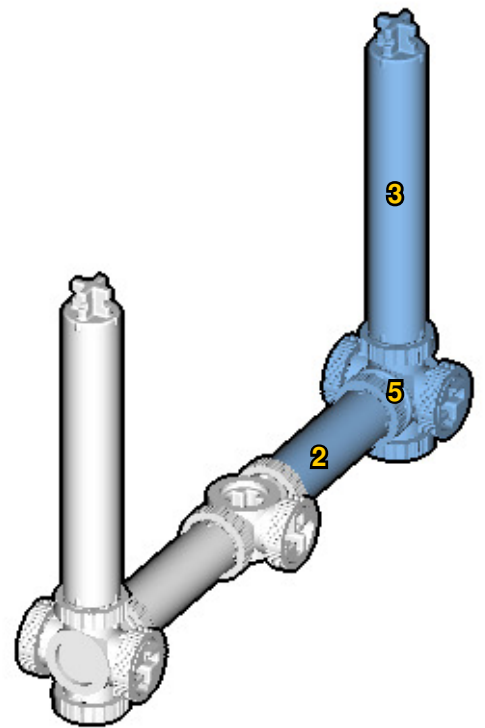


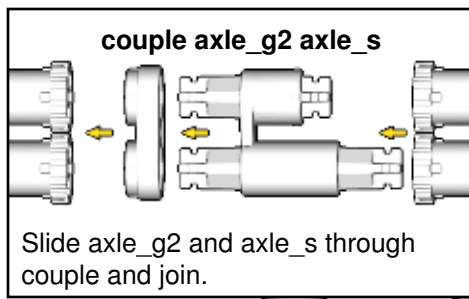


36



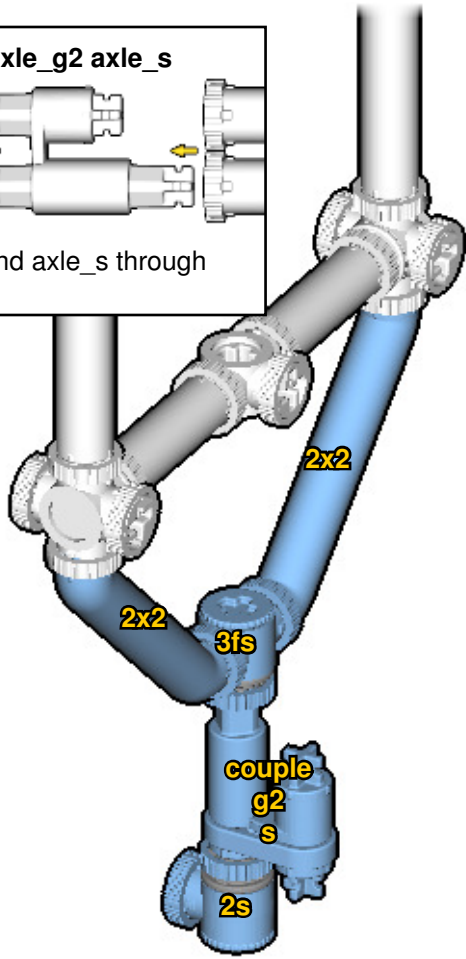
37



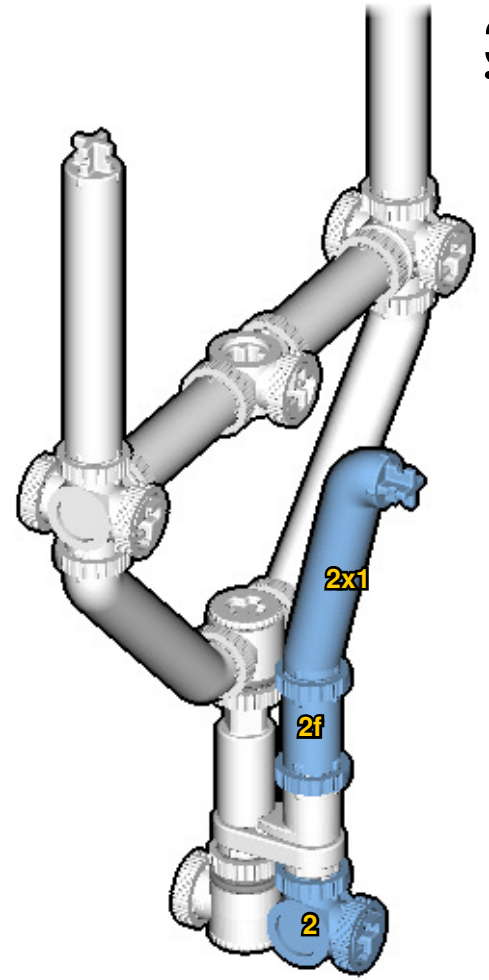


Slide axle\_g2 and axle\_s through couple and join.

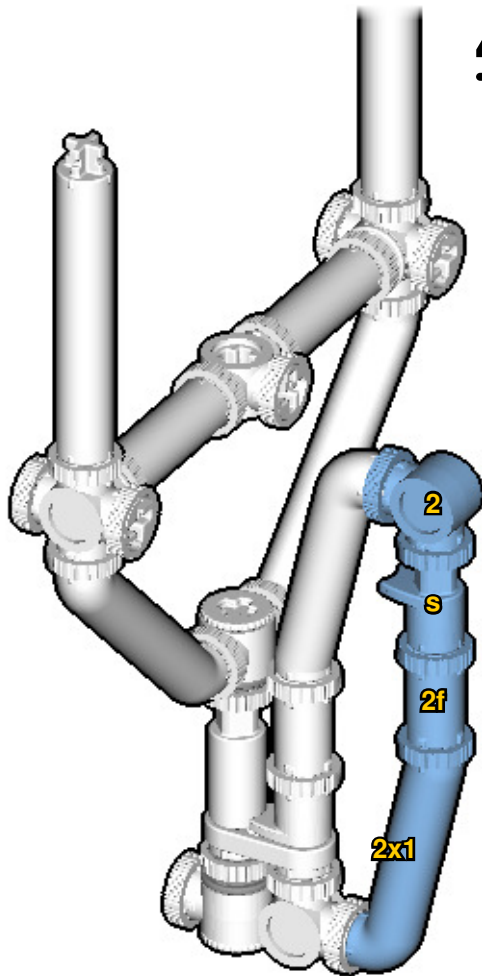
**38**



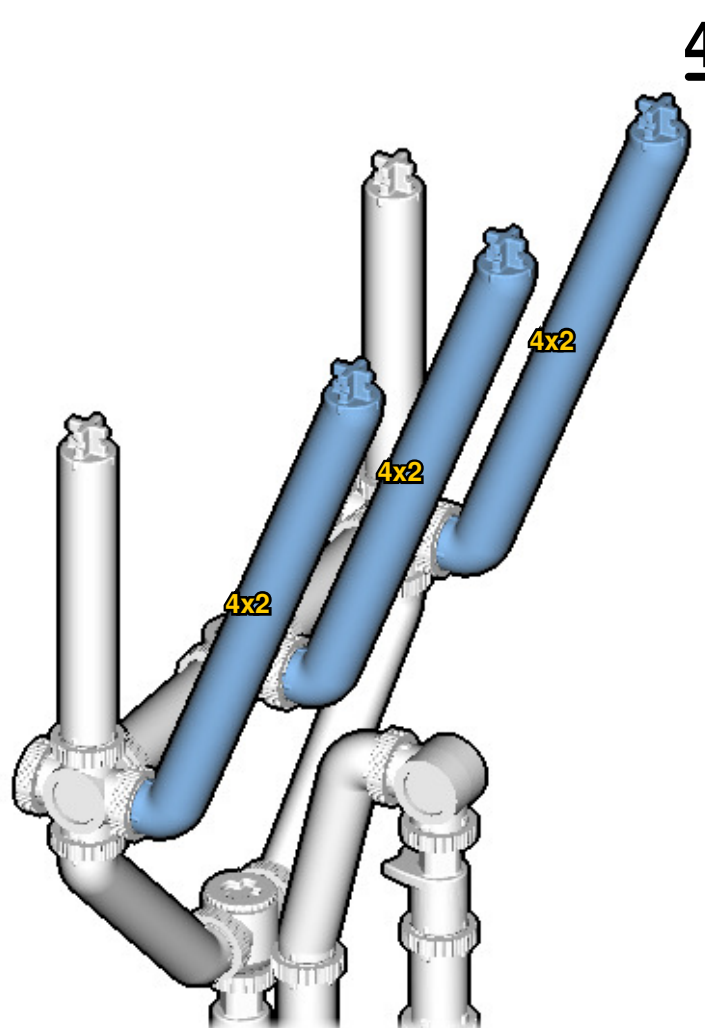
**39**

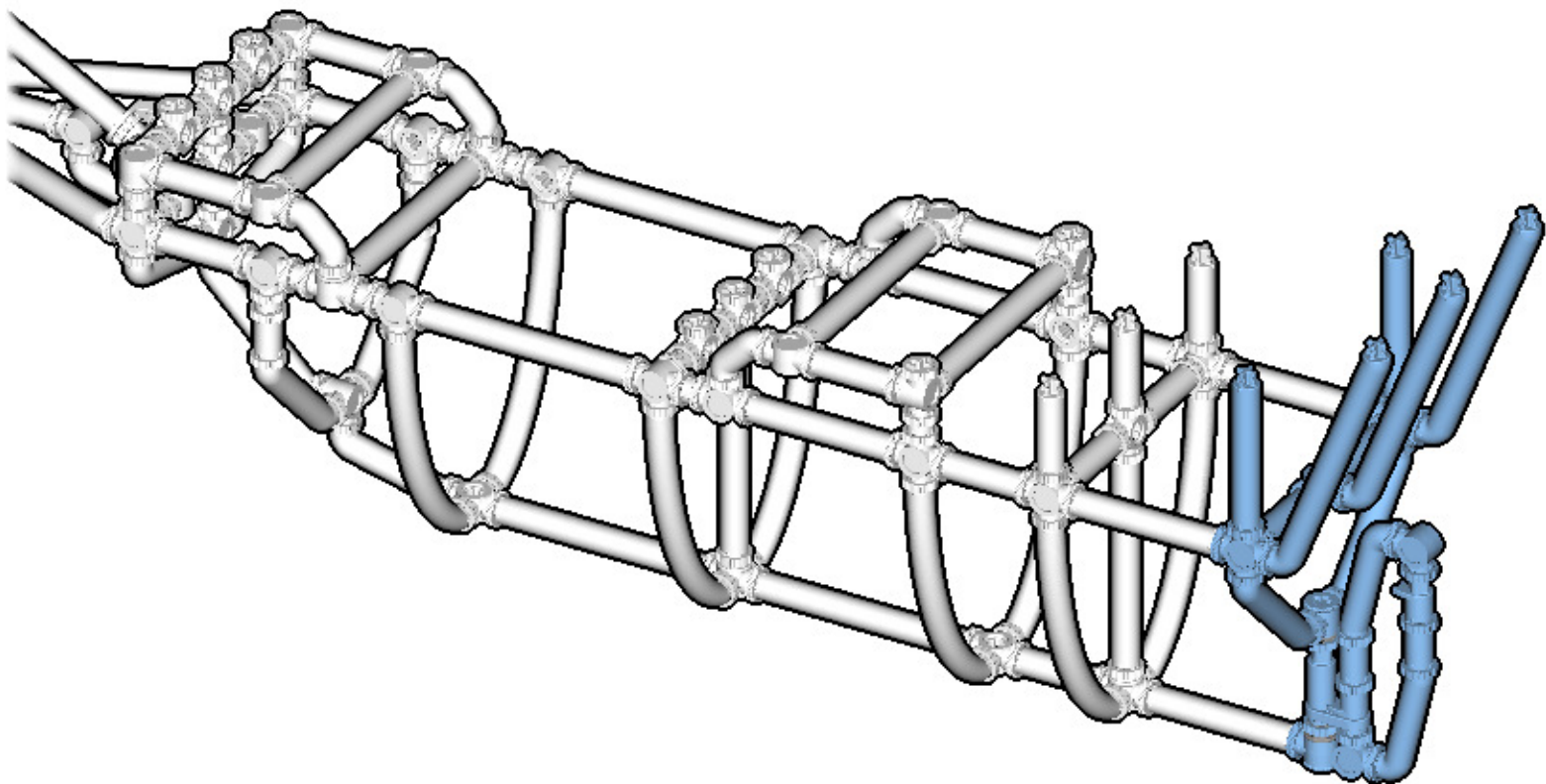
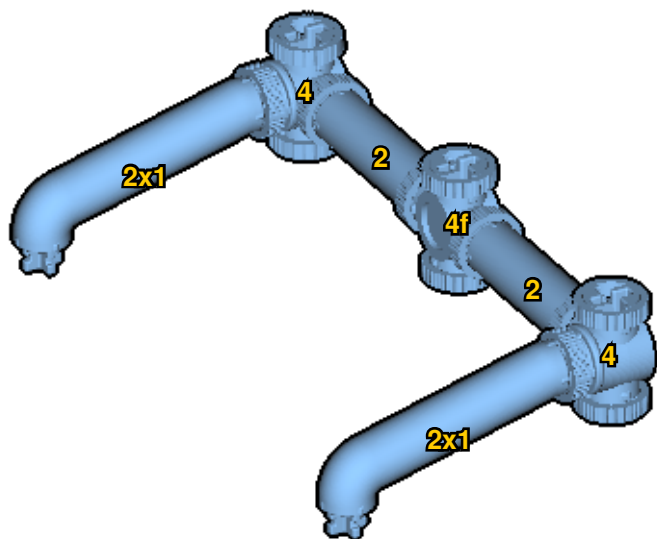
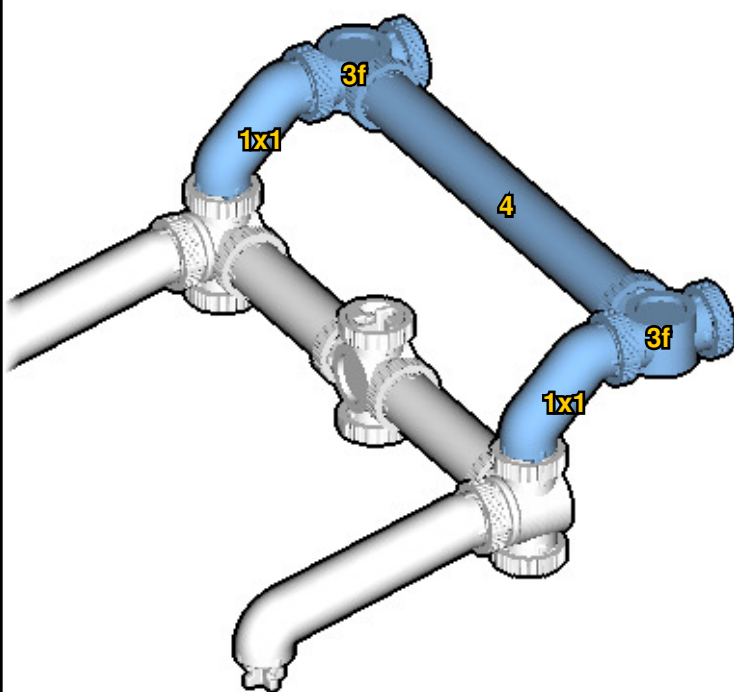


**40**



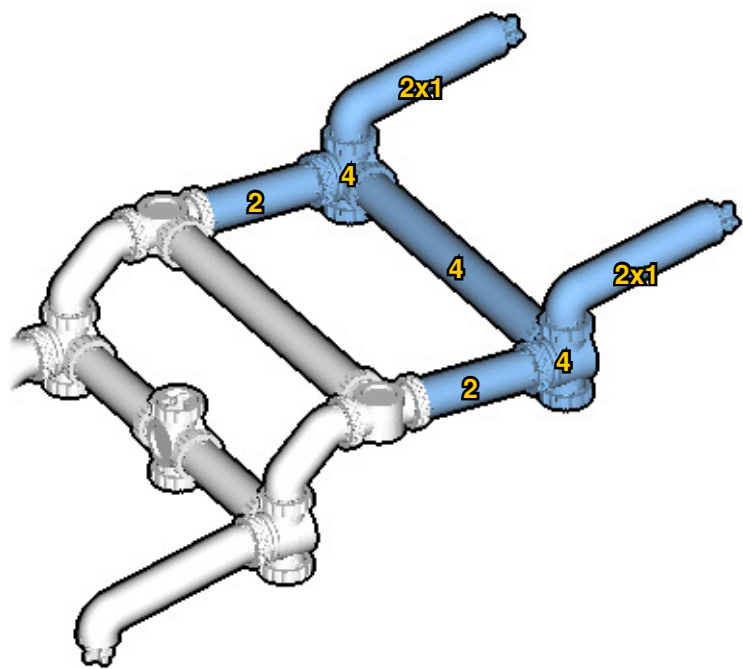
**41**



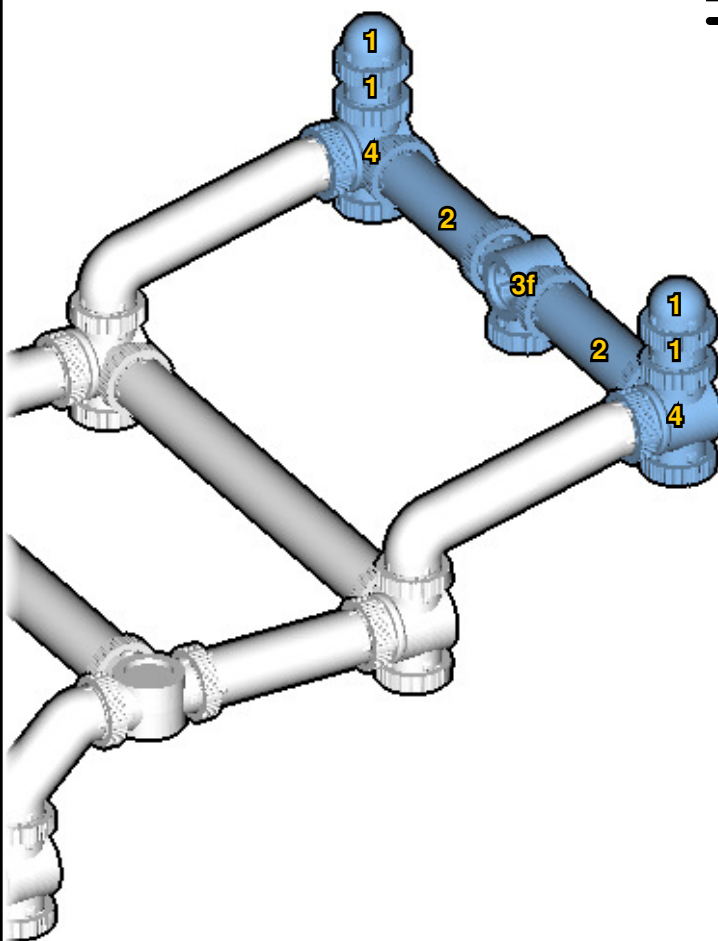
4344



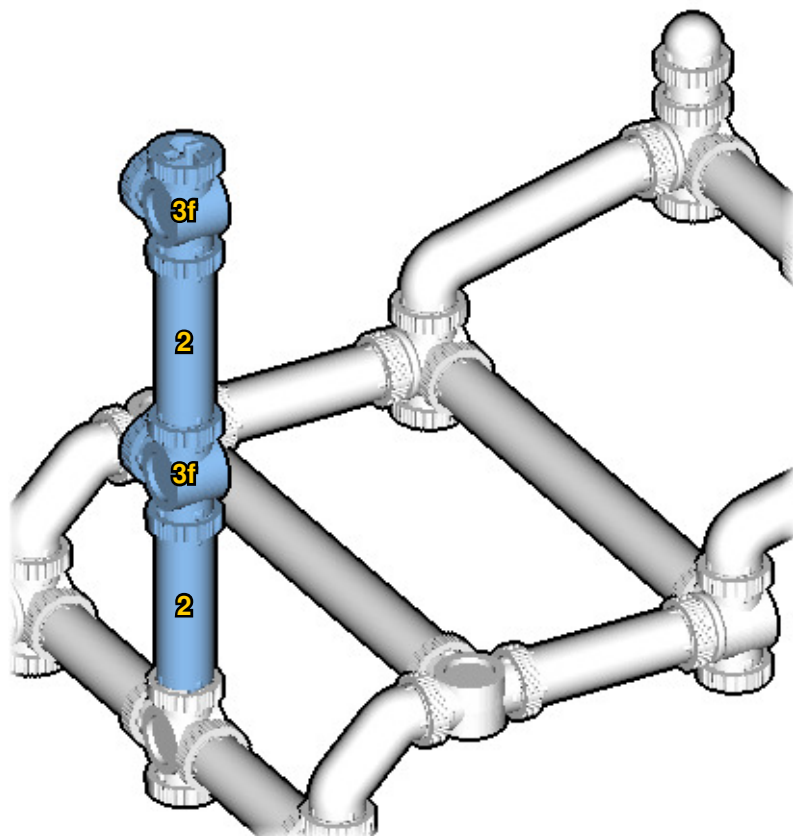
45



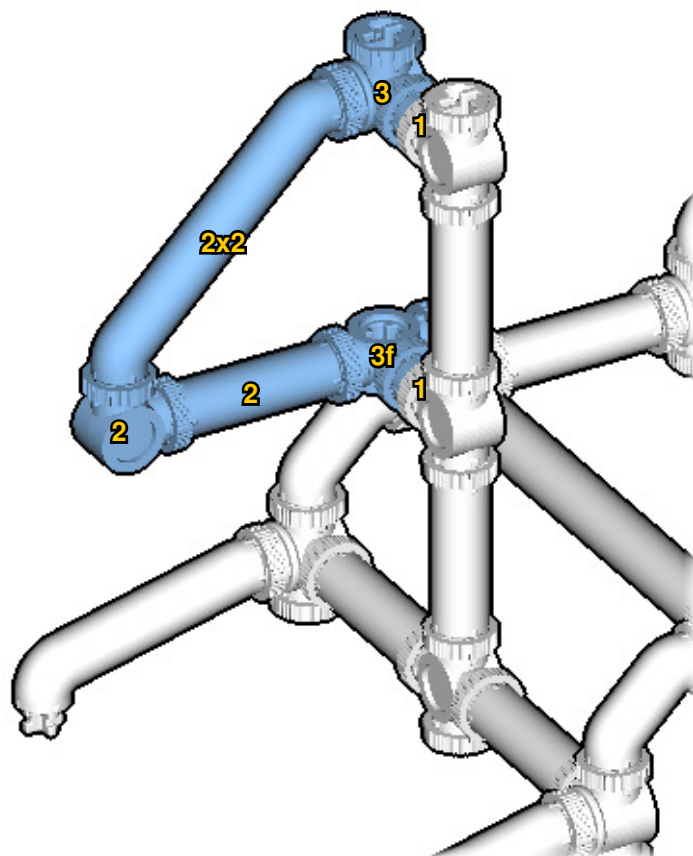
46



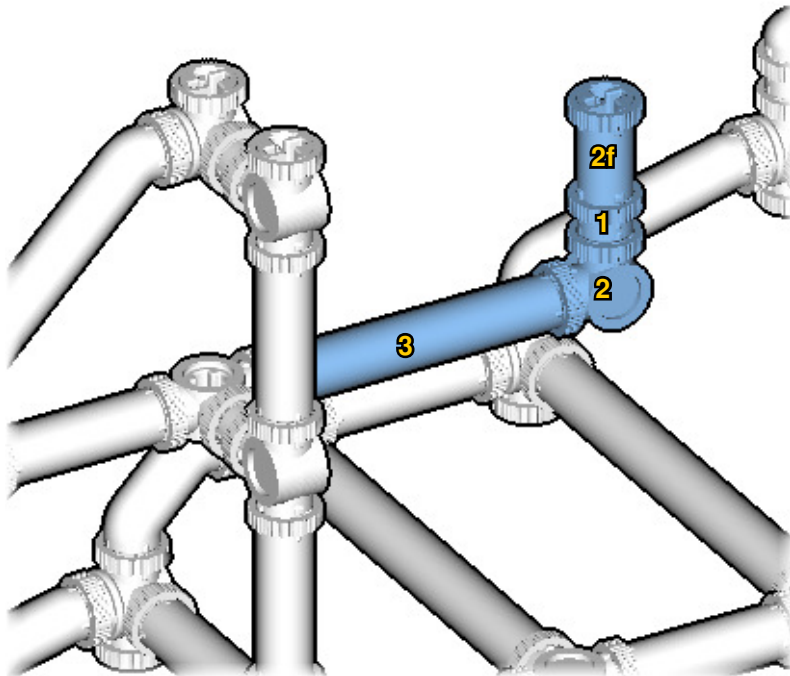
47



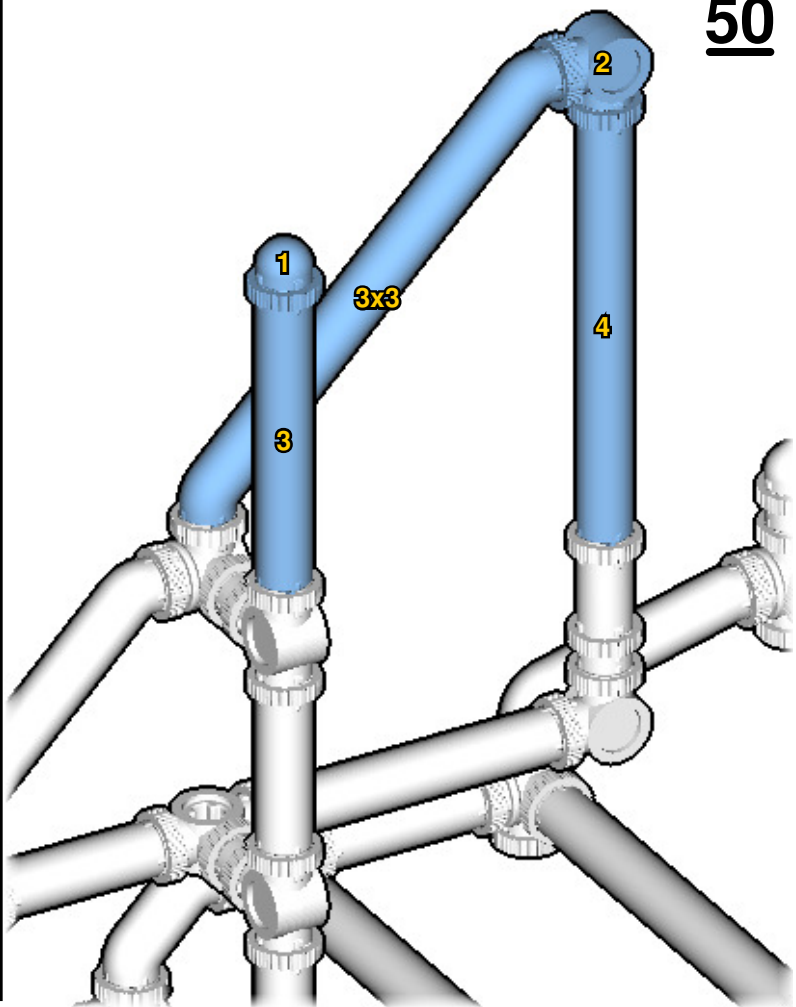
48



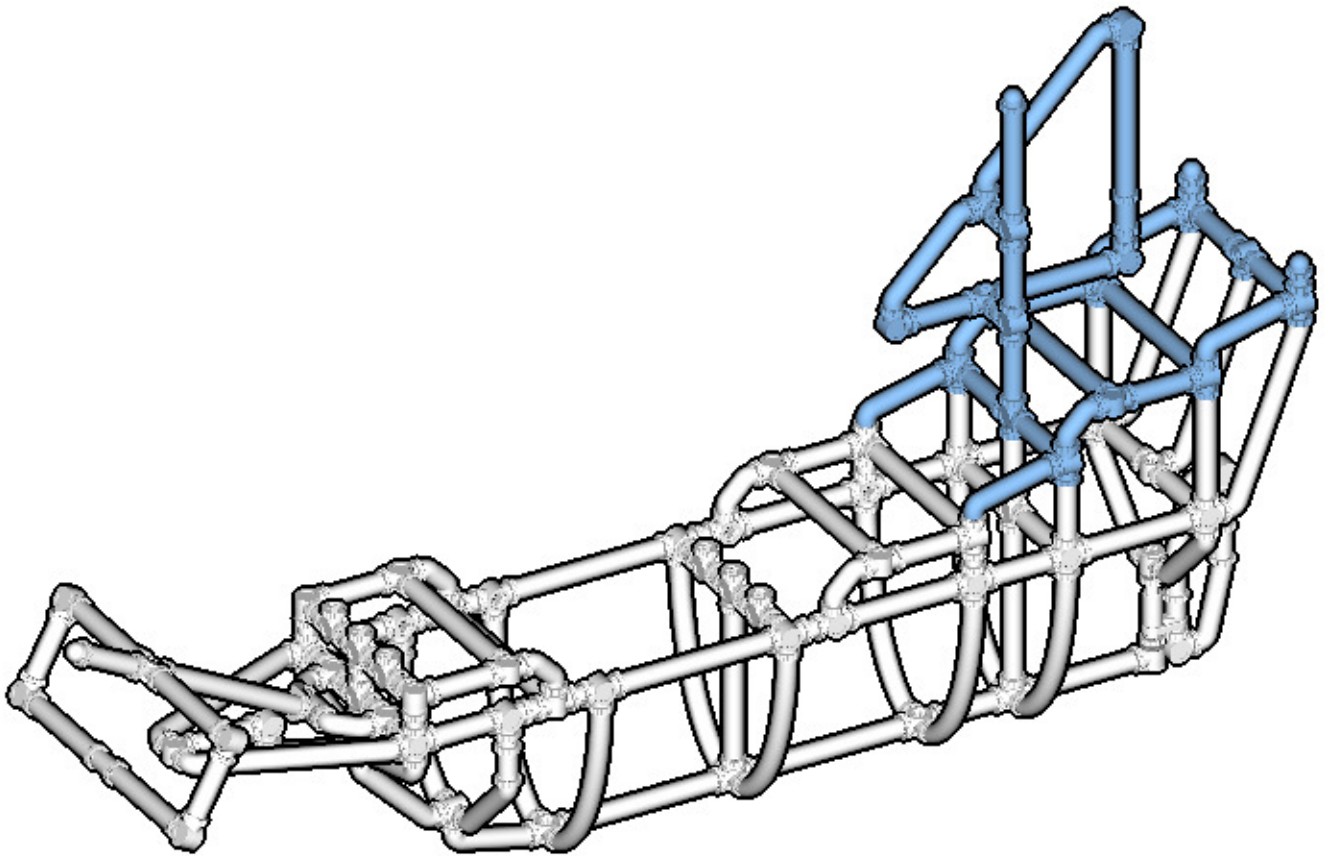
**49**



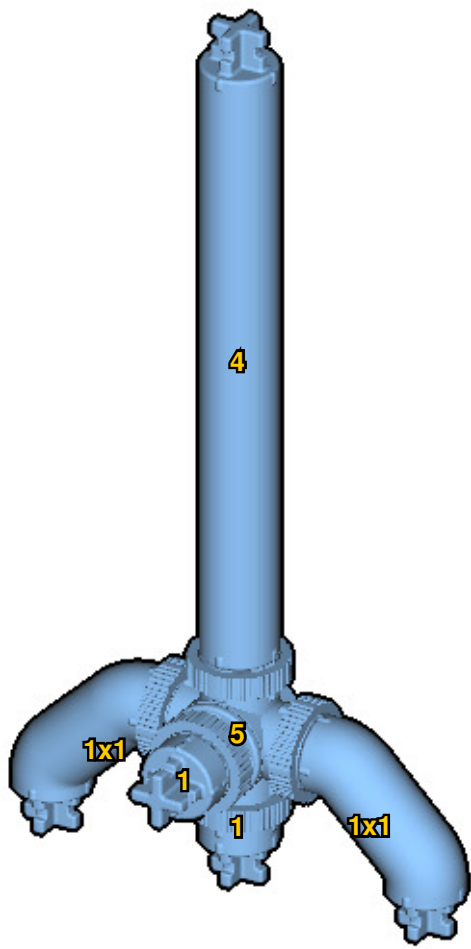
**50**



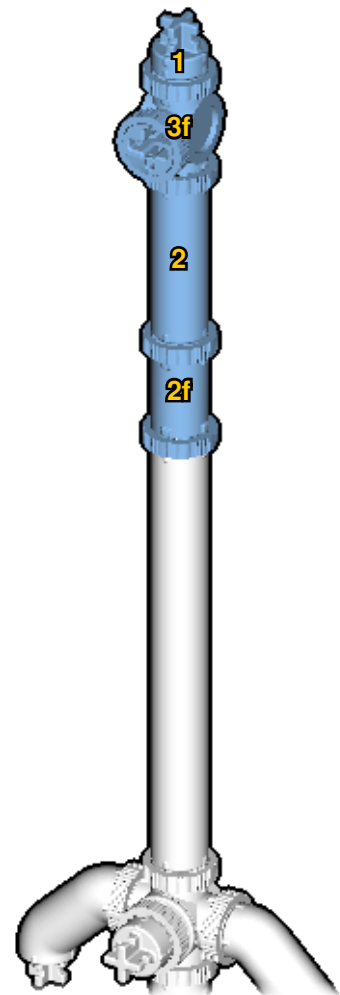
**51**



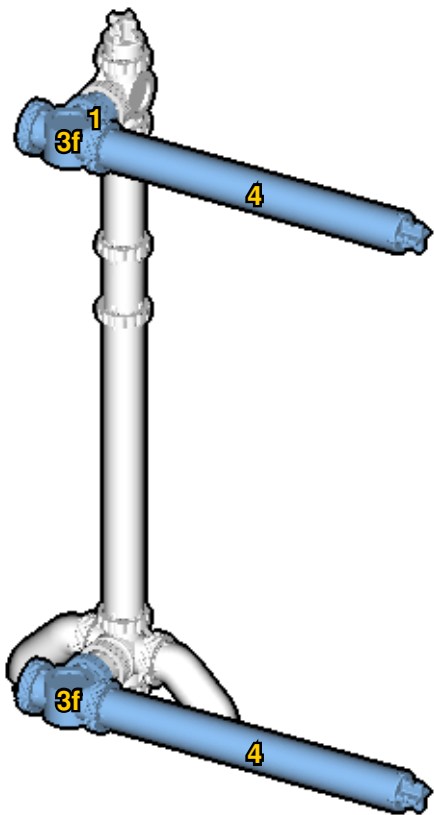
52



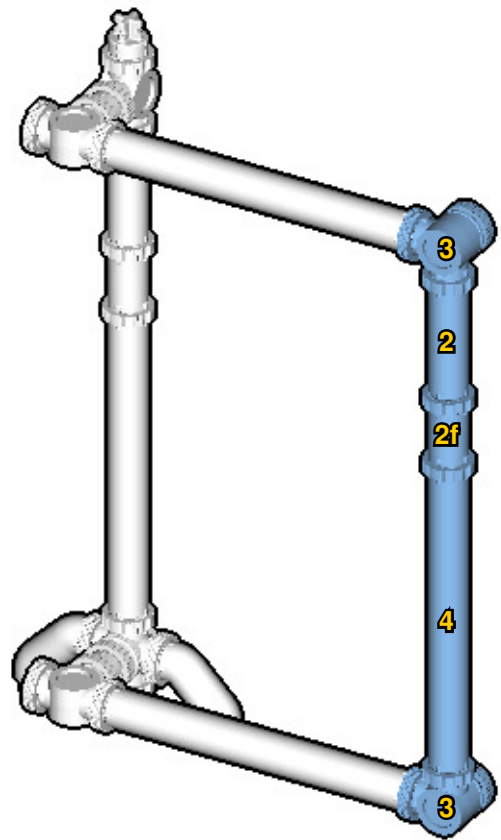
53

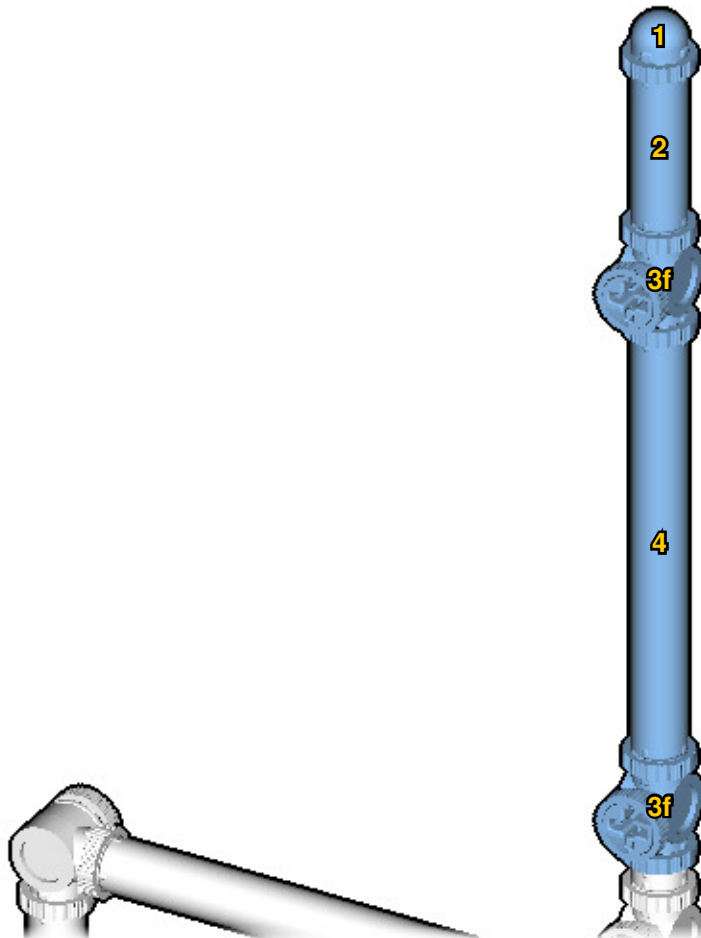
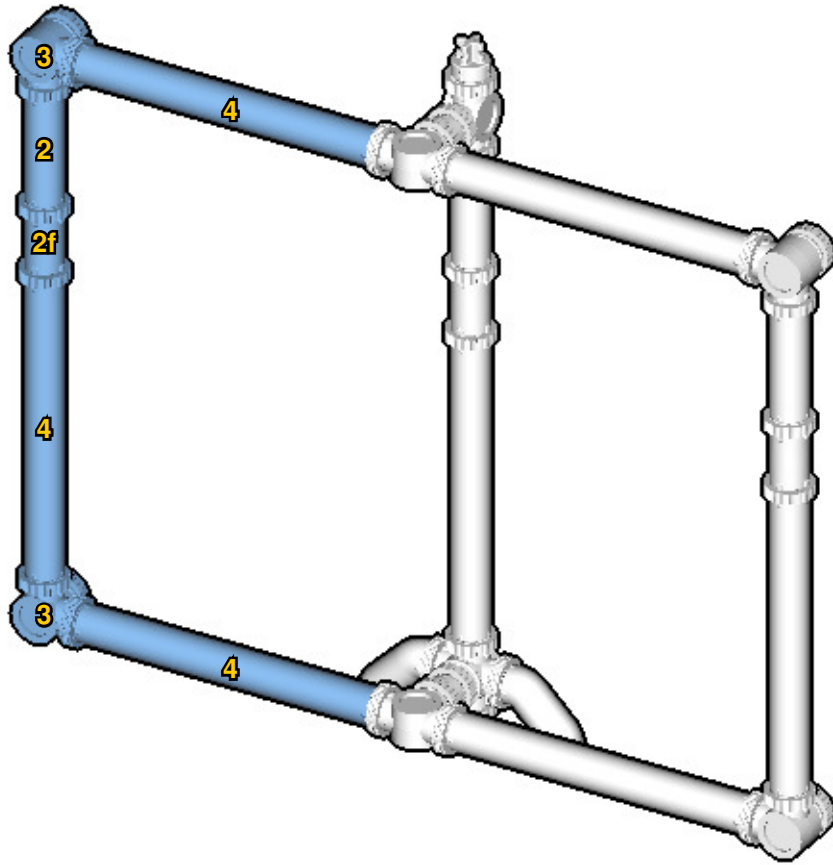


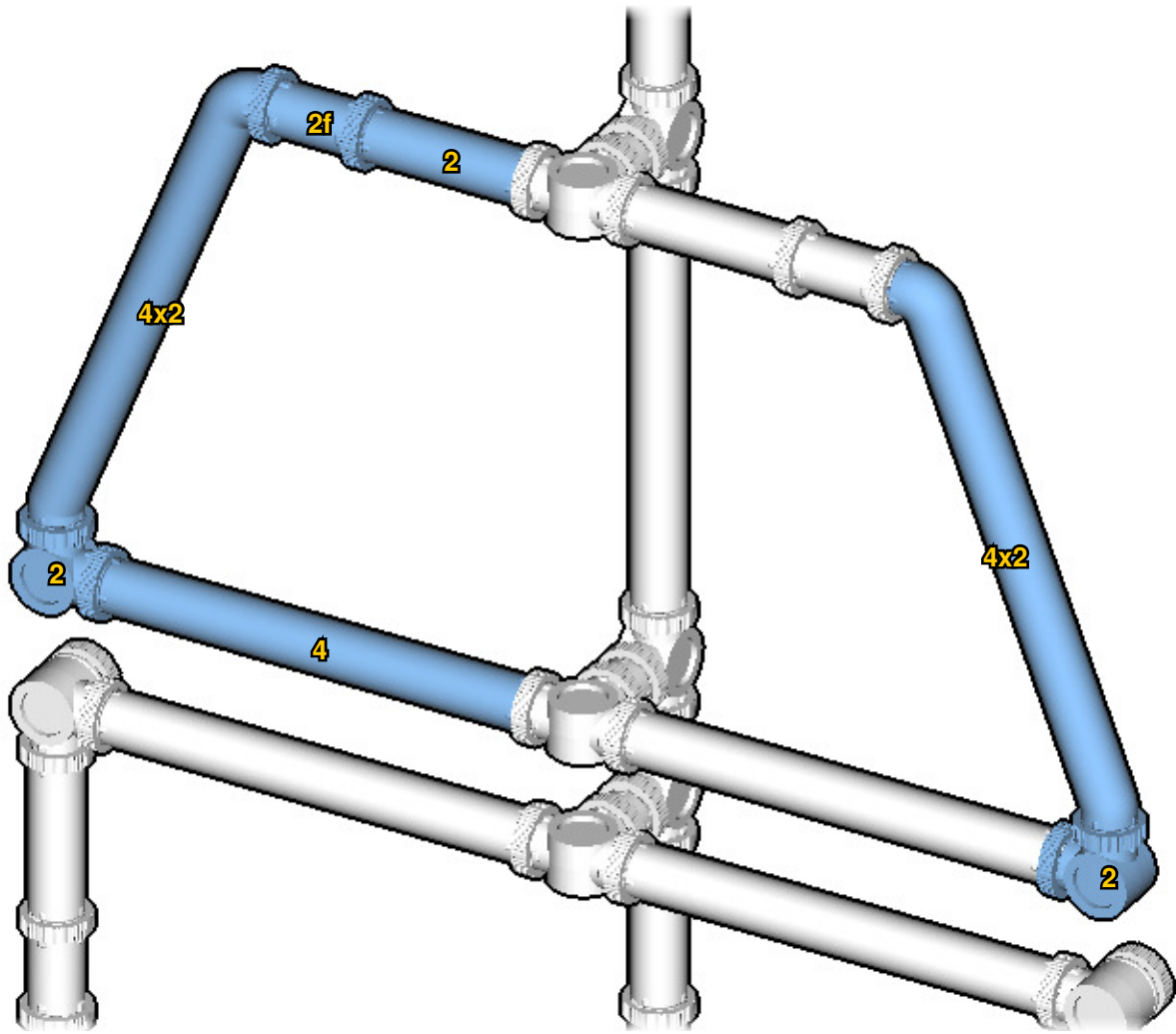
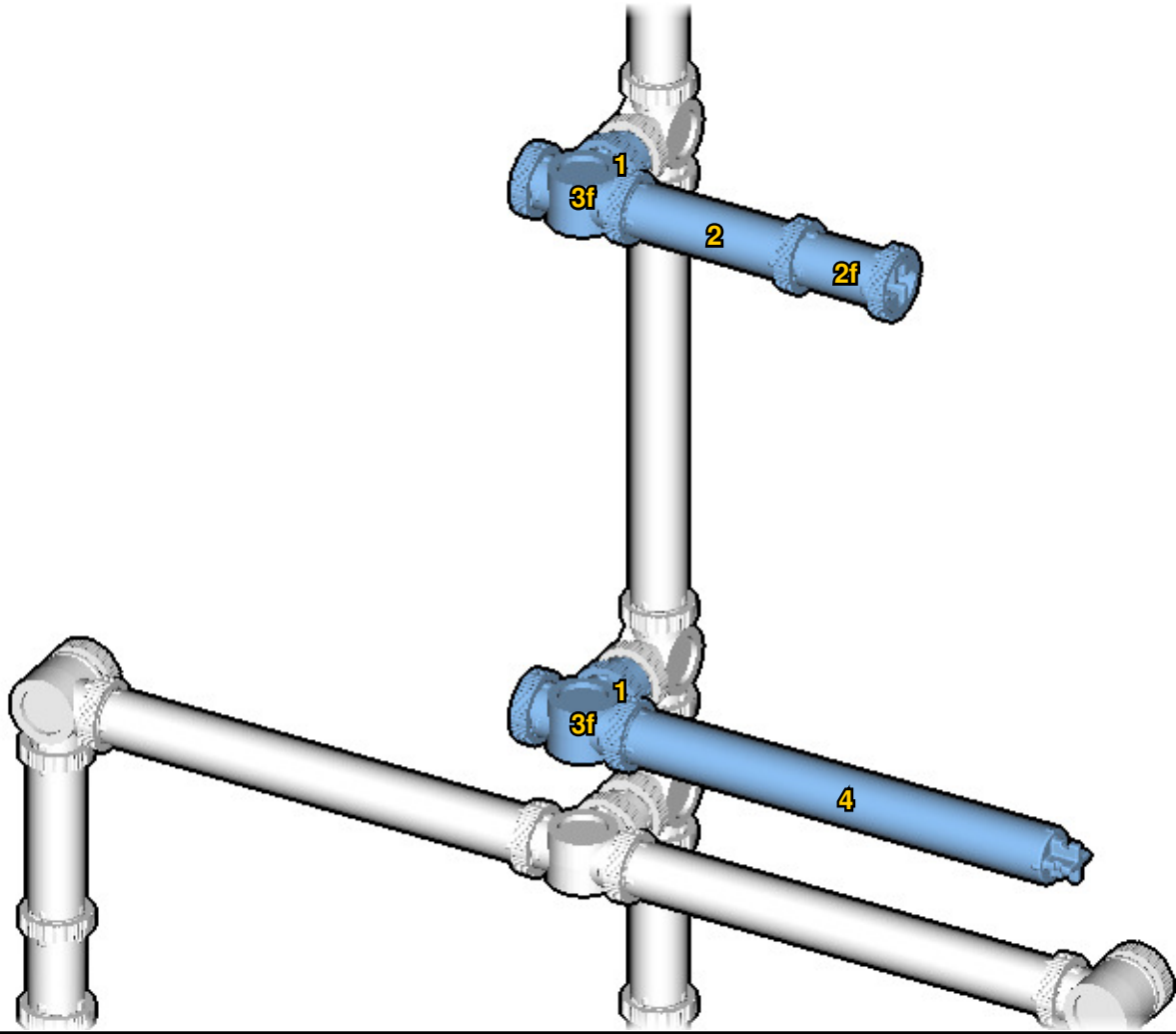
54

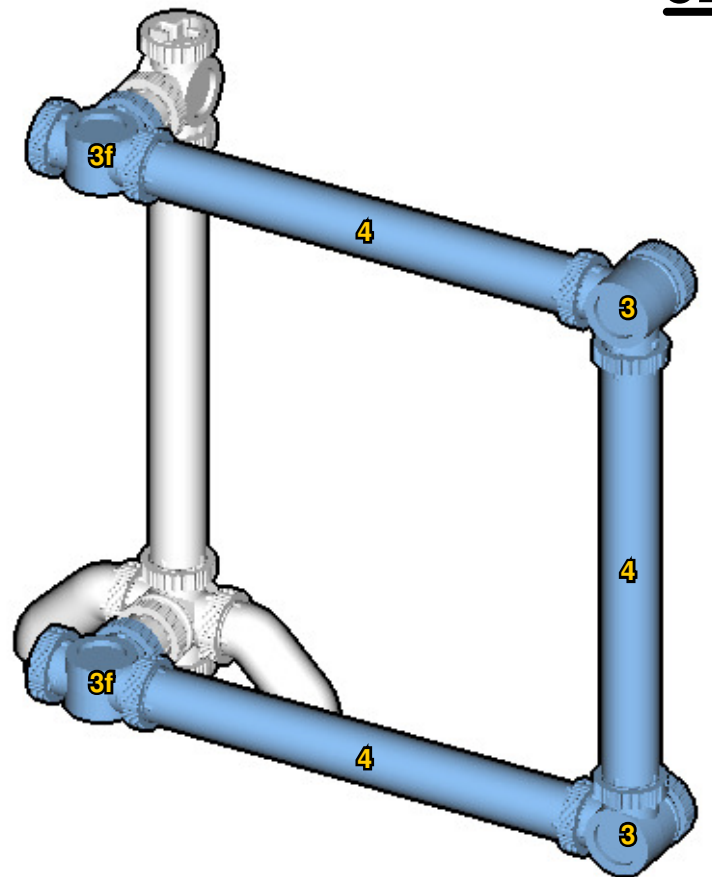
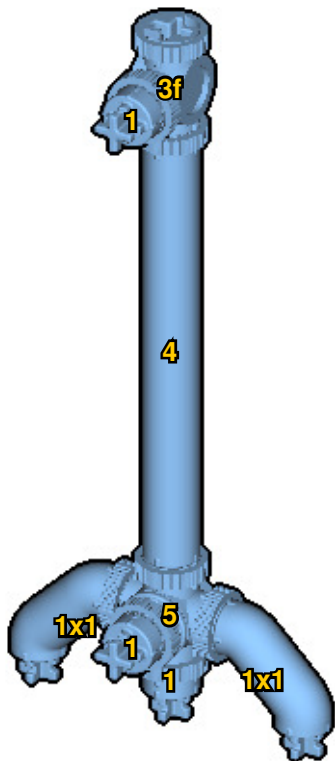
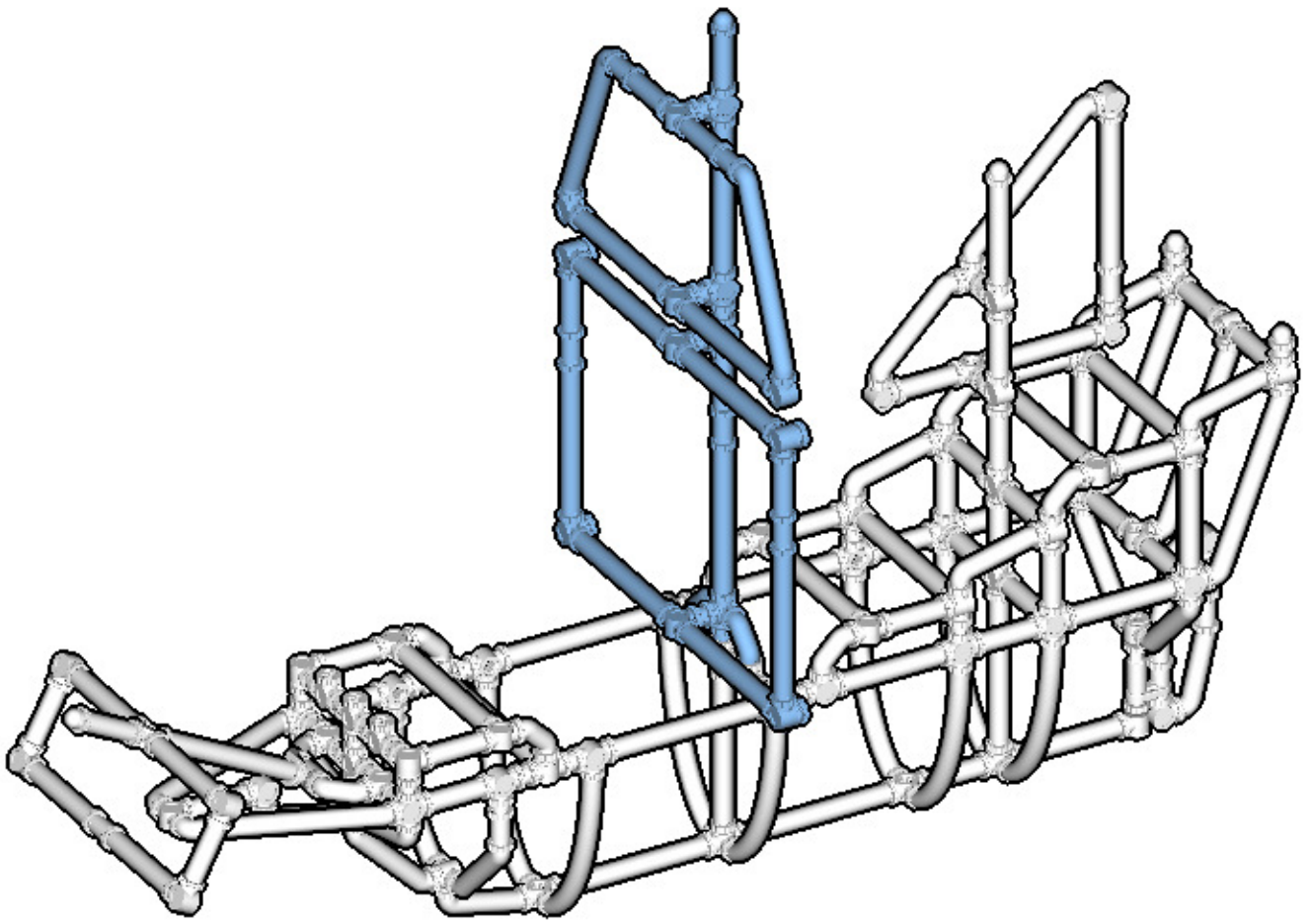


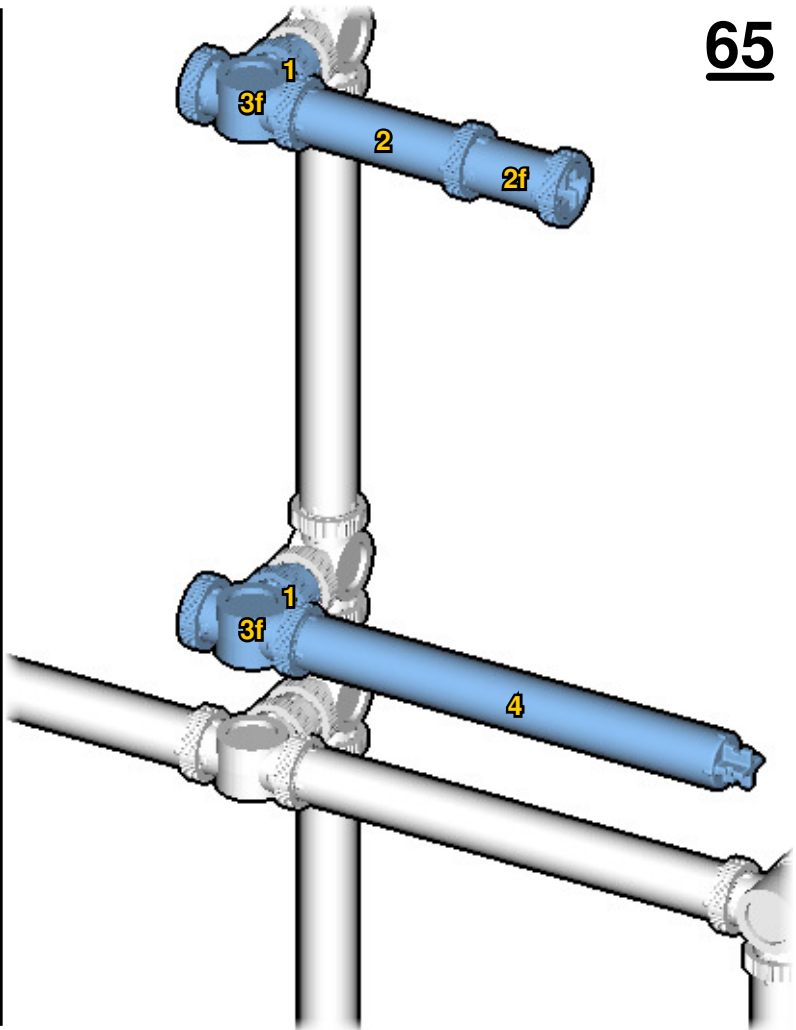
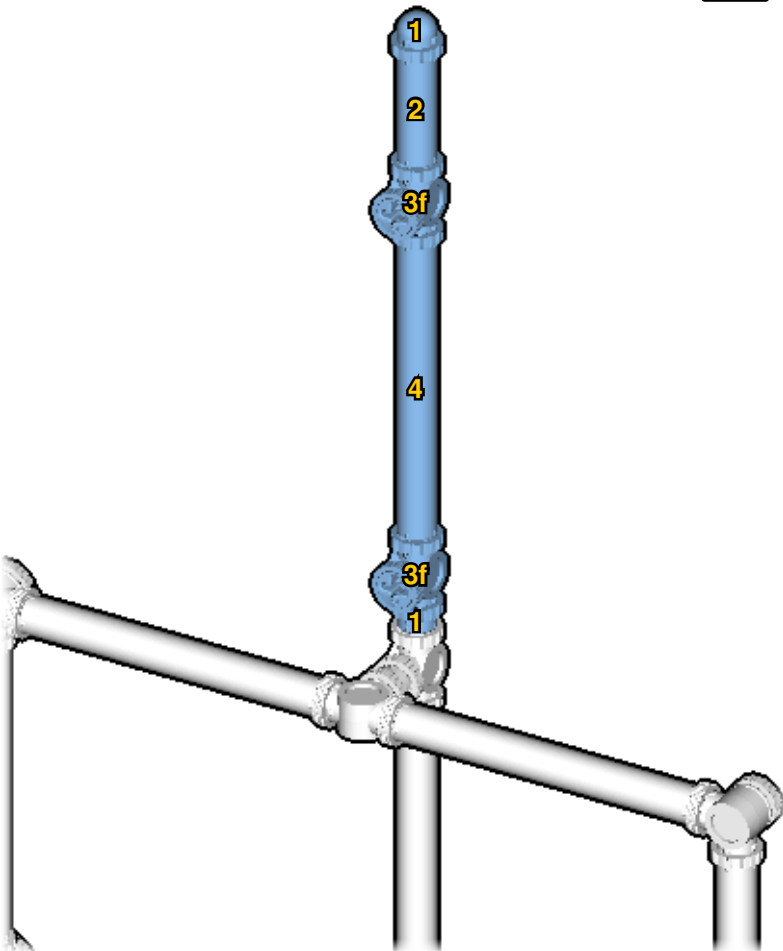
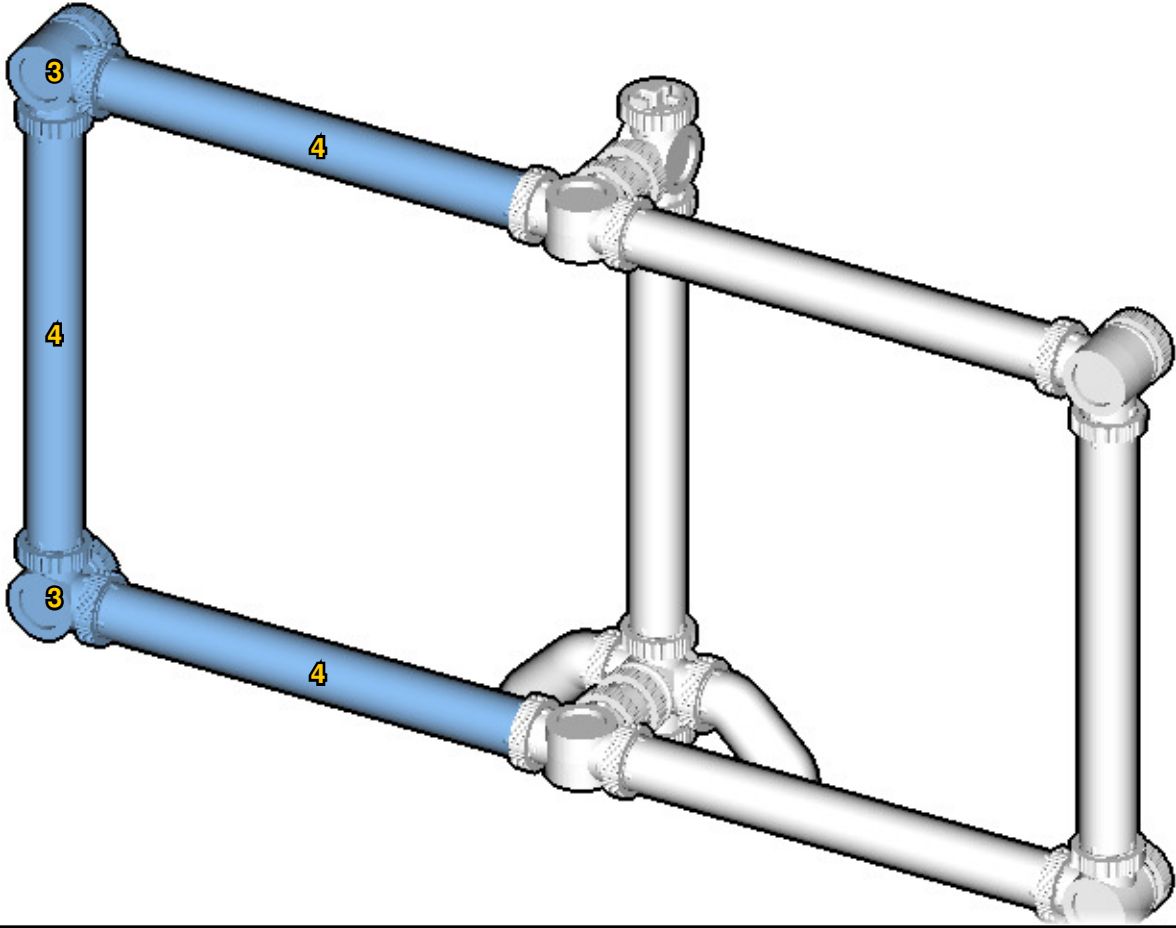
55

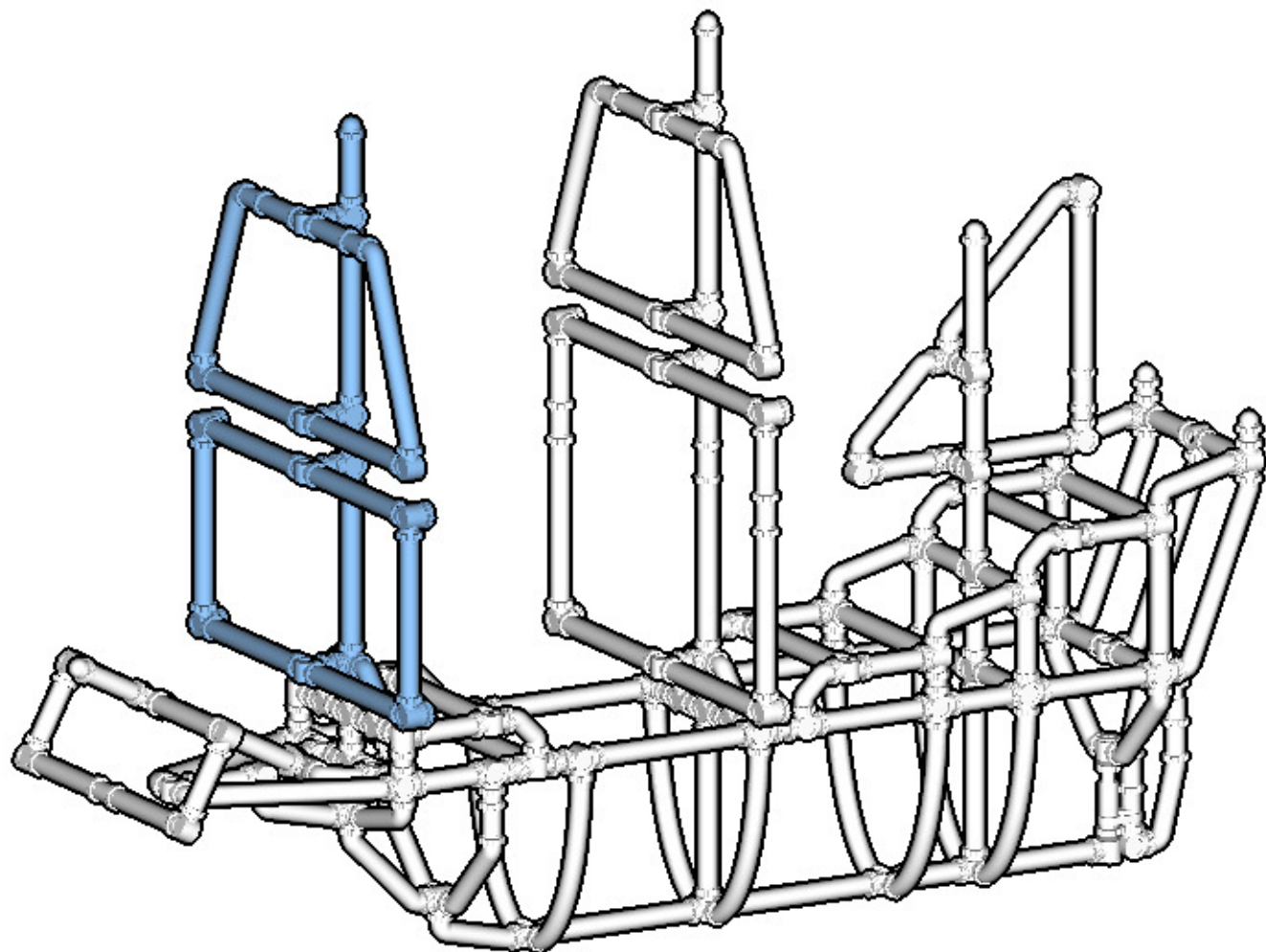
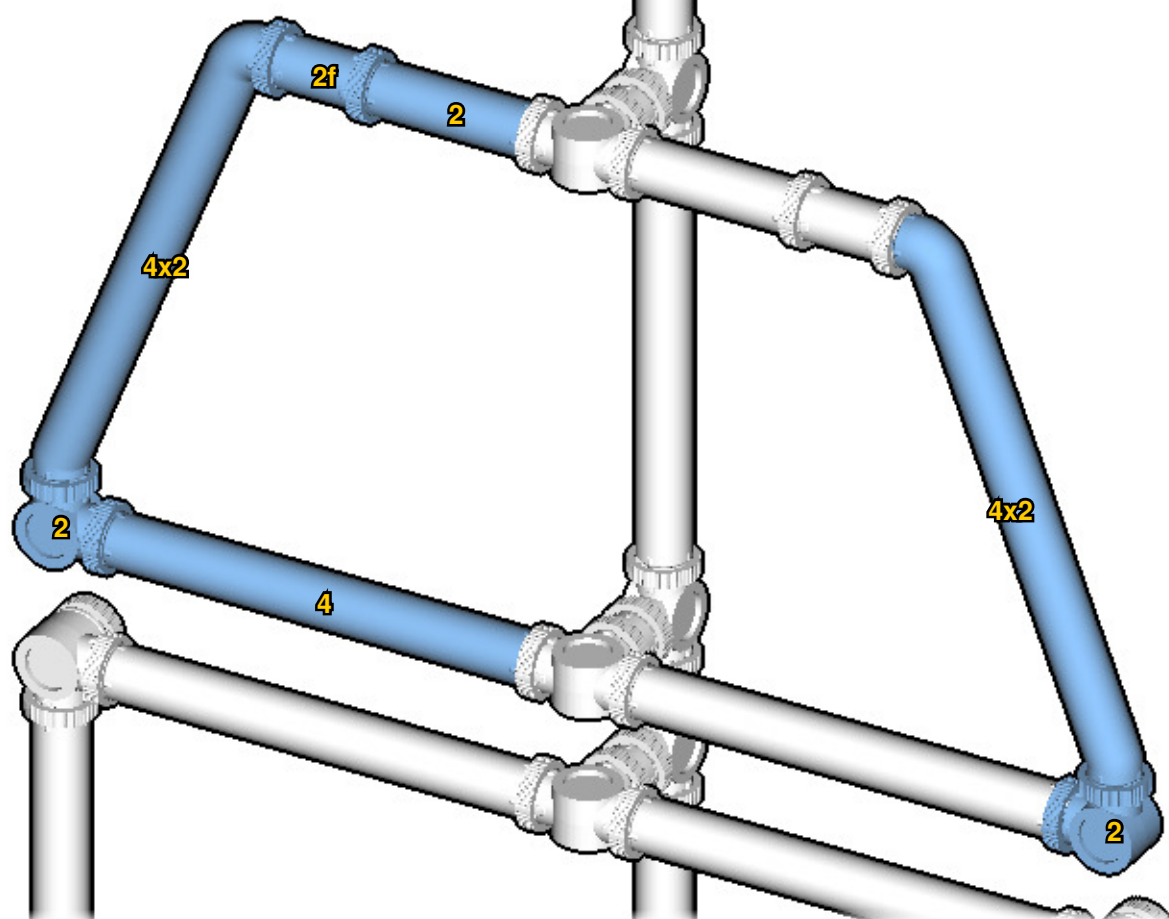






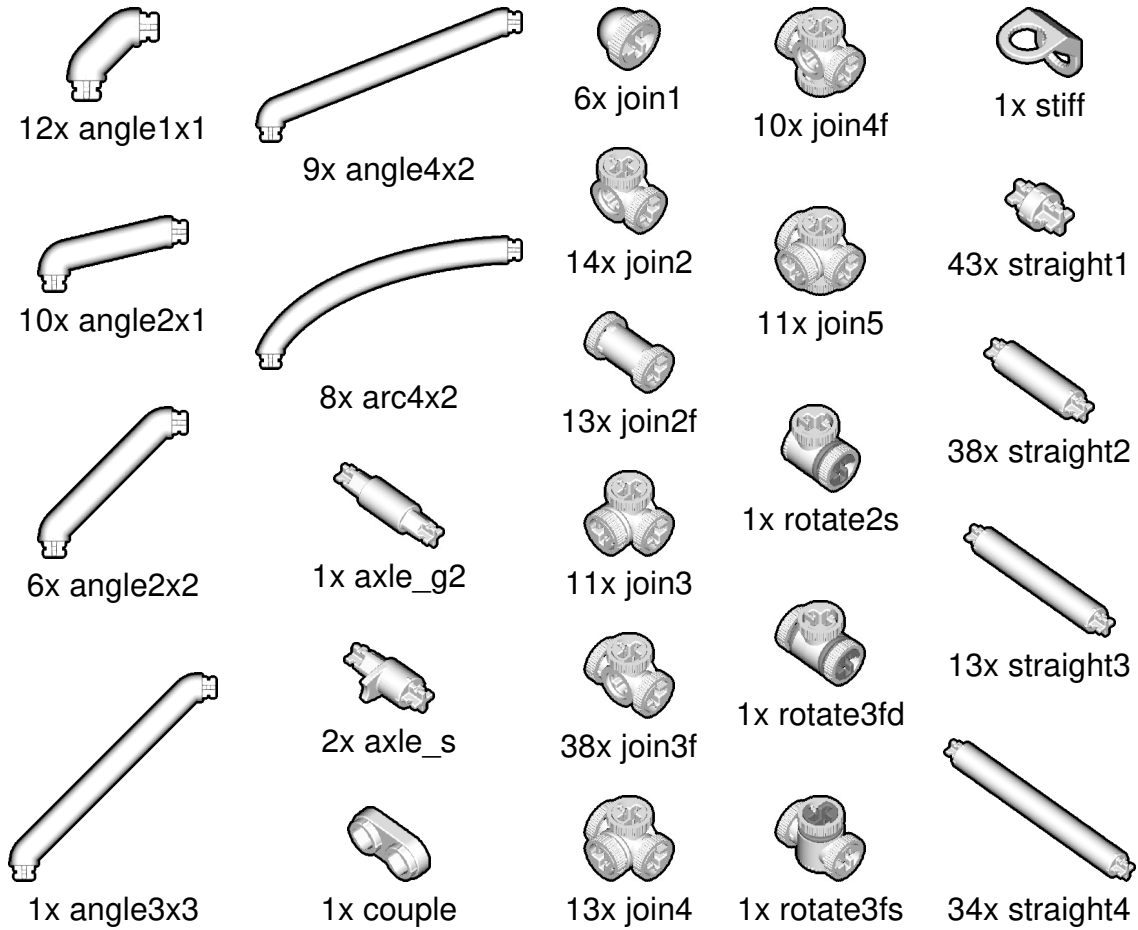








# INVENTORY



# ACTUAL SIZE

