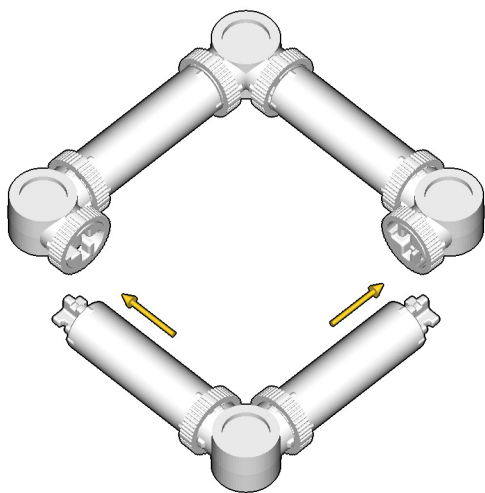


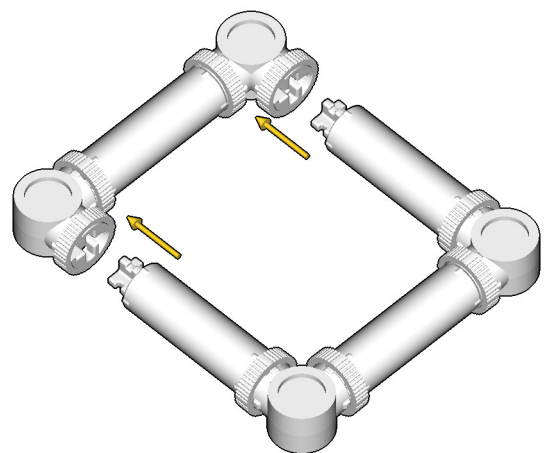
SIZE	2.4ft x 0.4ft x 0.3ft	PIECES	210
DESIGNER	Charles Sharman	MADE IN	U.S.A.

GRABBER

⚠ WARNING: Small parts. Age 12+. Handle responsibly. U.S. Patent 9,086,087.

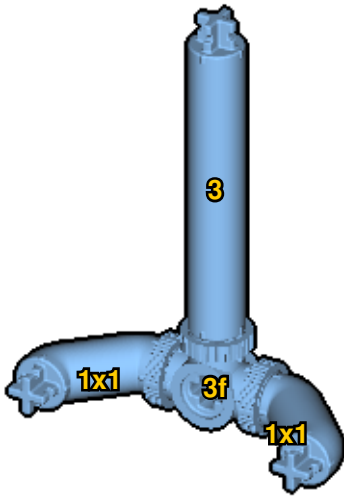


Wrong
Connecting/Disconnecting Two Directions



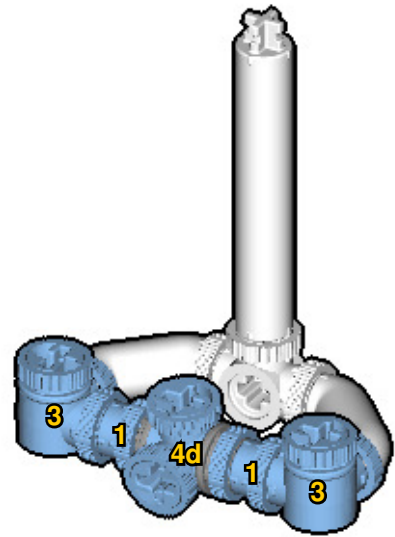
Right
Connecting/Disconnecting One Direction

1



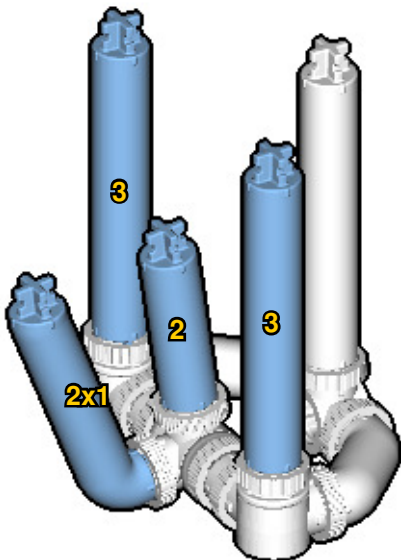
New pieces are drawn blue. Old pieces are drawn white.
See back for piece names.

2

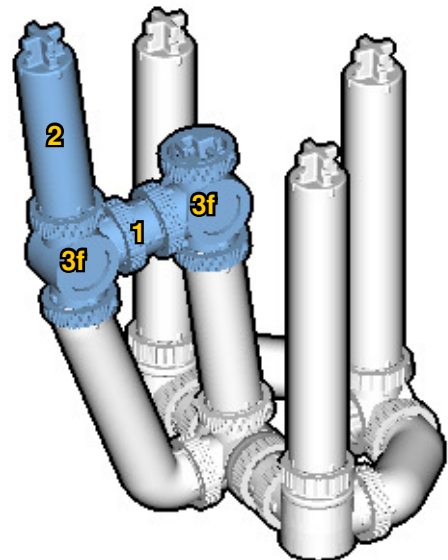


Connect new pieces together before connecting to old pieces.

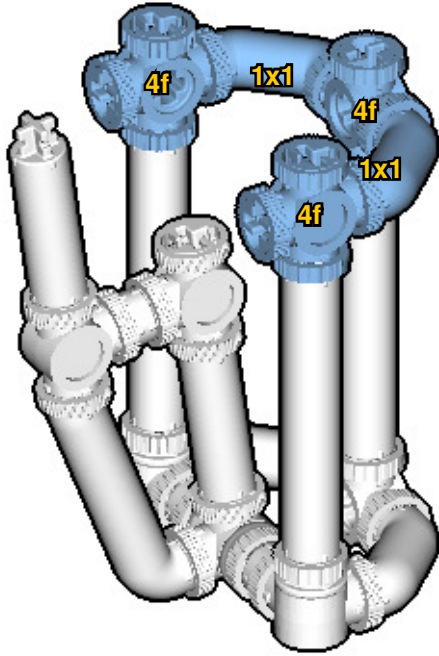
3



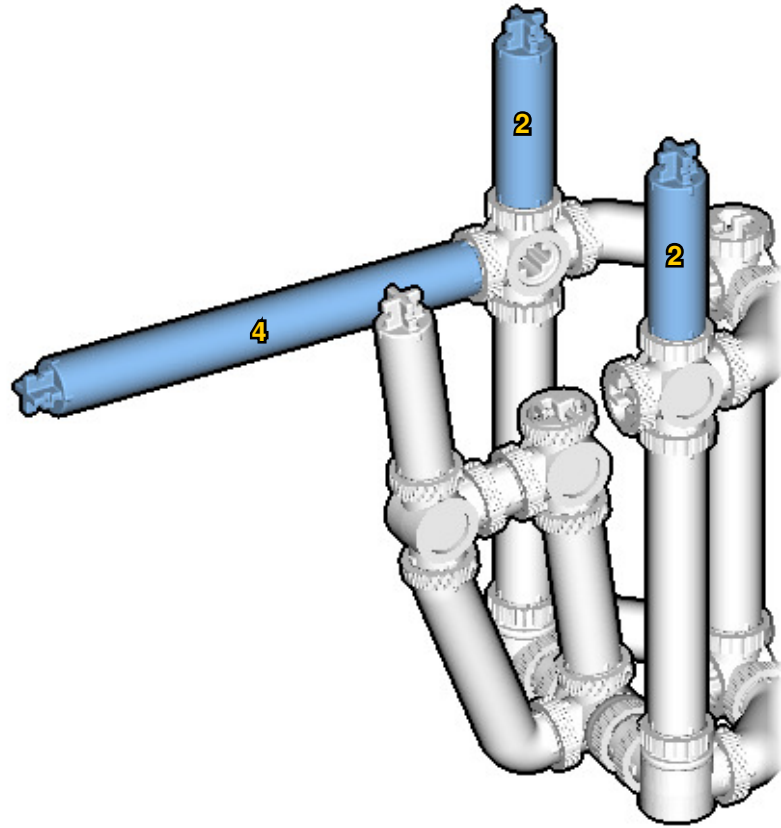
4



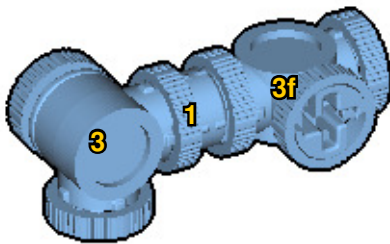
5



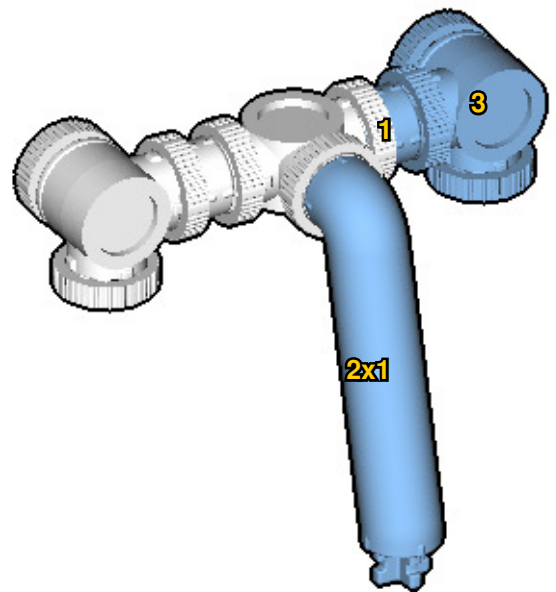
6



Submodel begins → 7

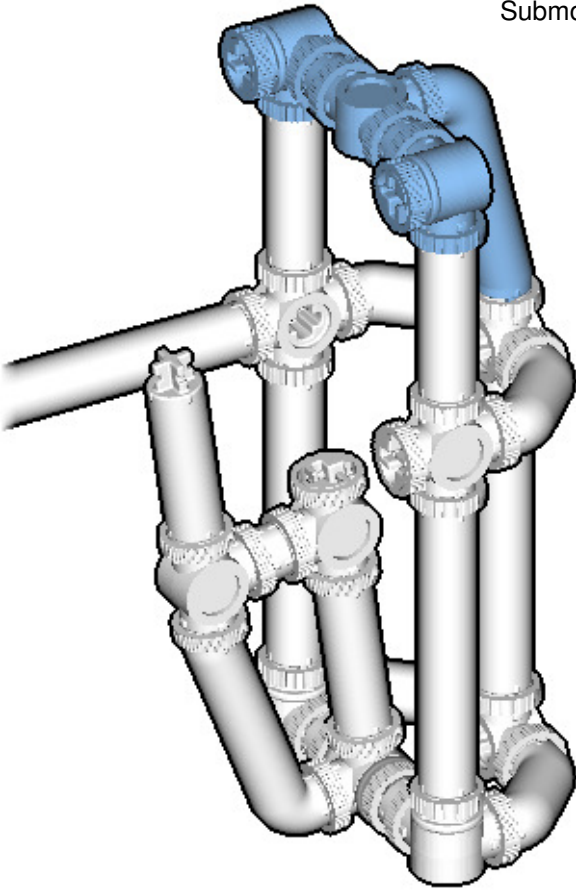


8



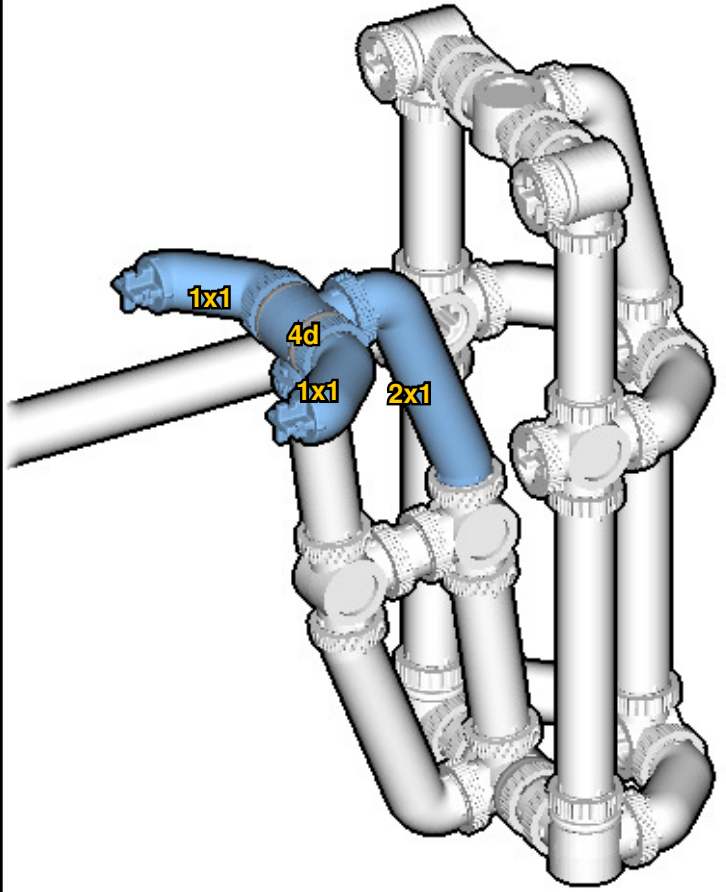
9

Submodel ends →

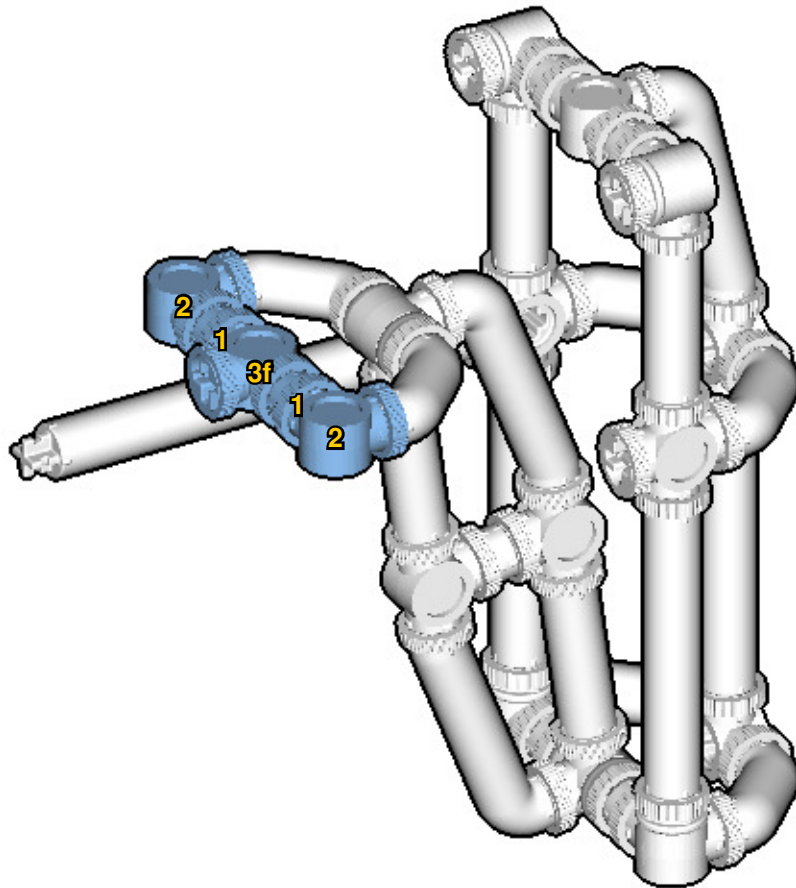


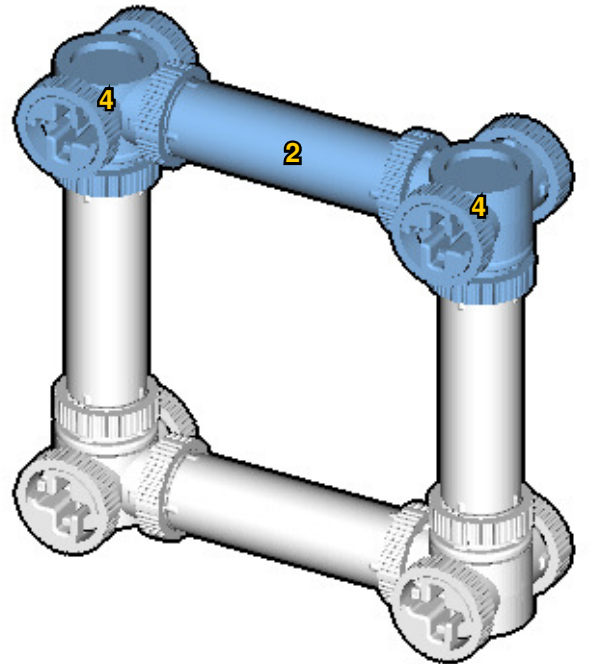
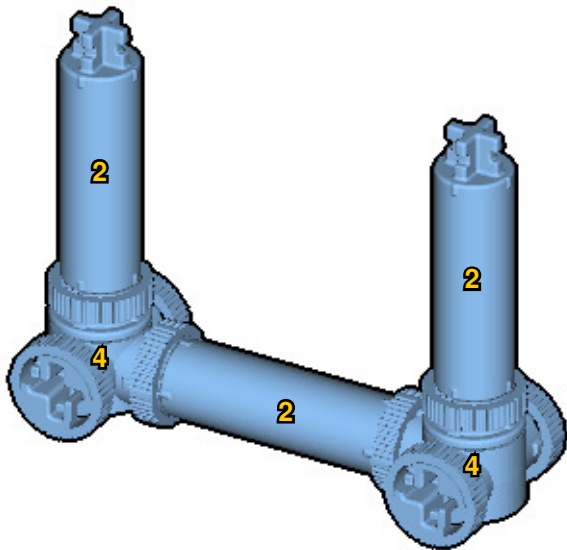
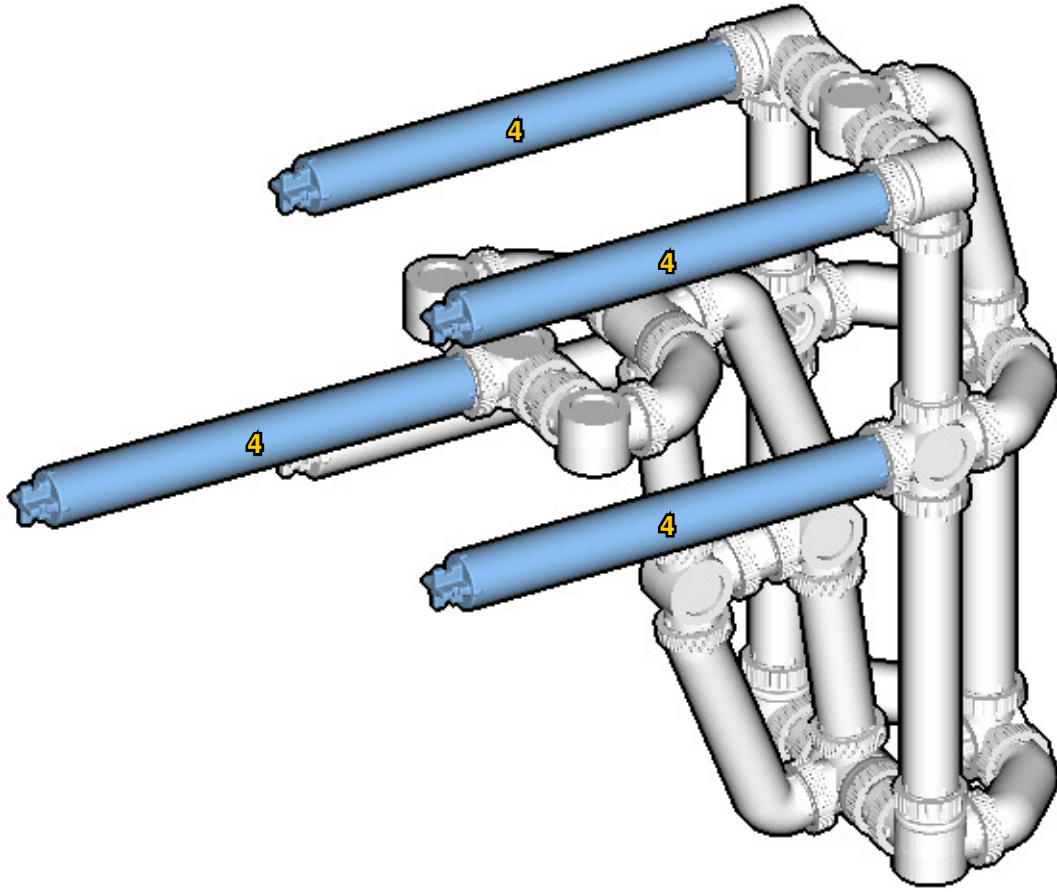
Connect submodel to model.

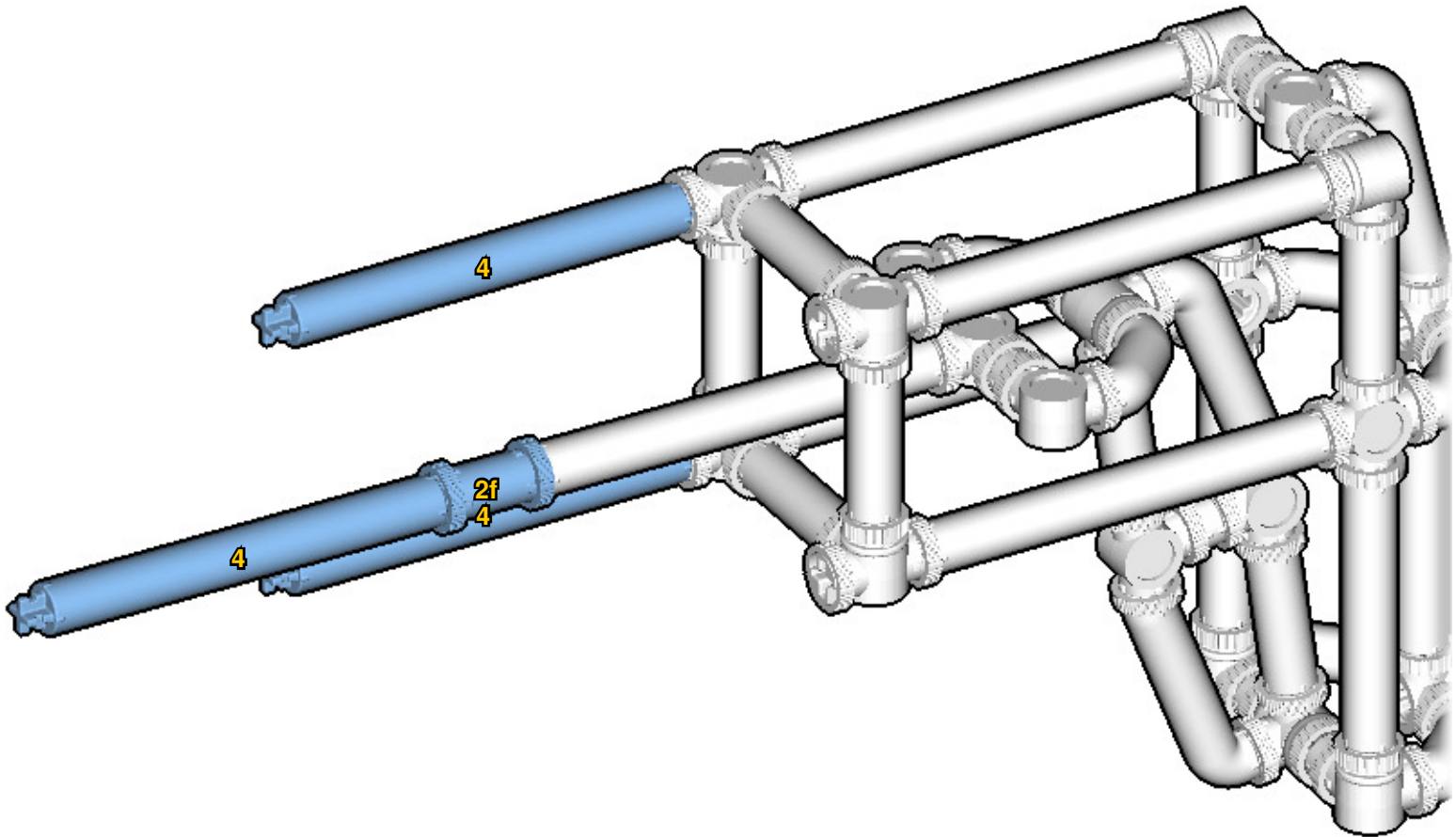
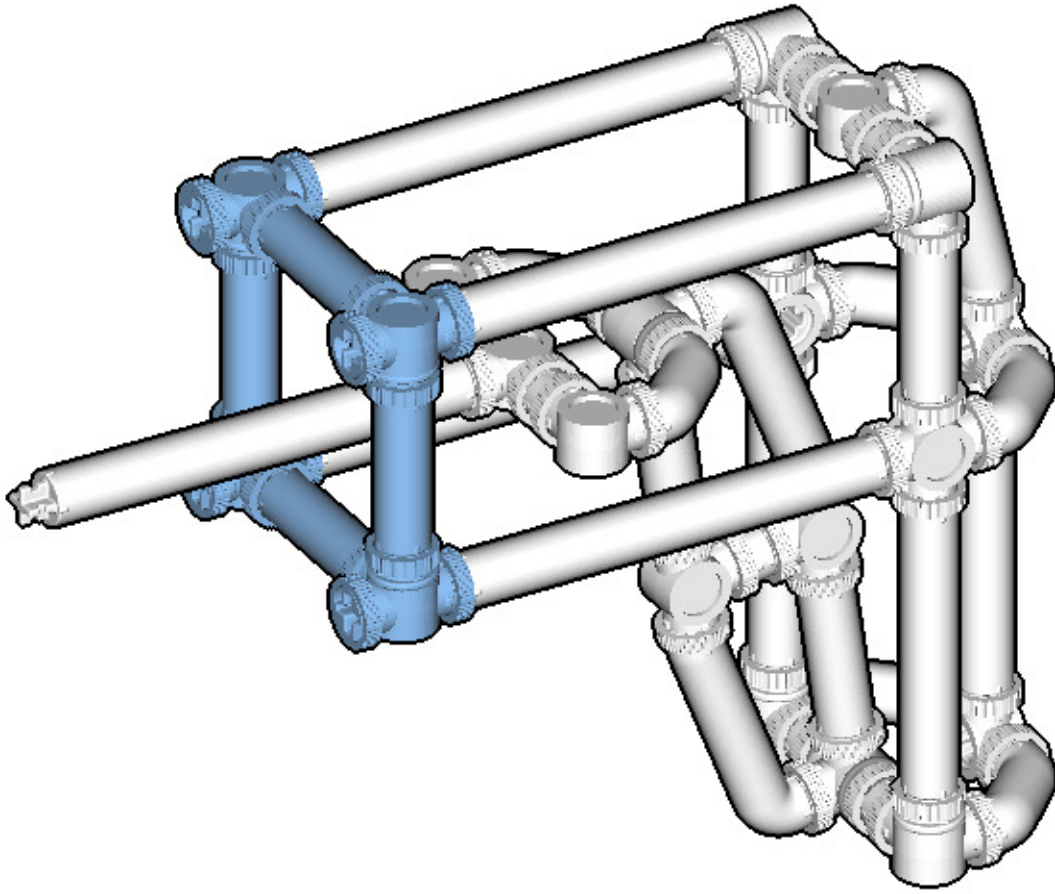
10



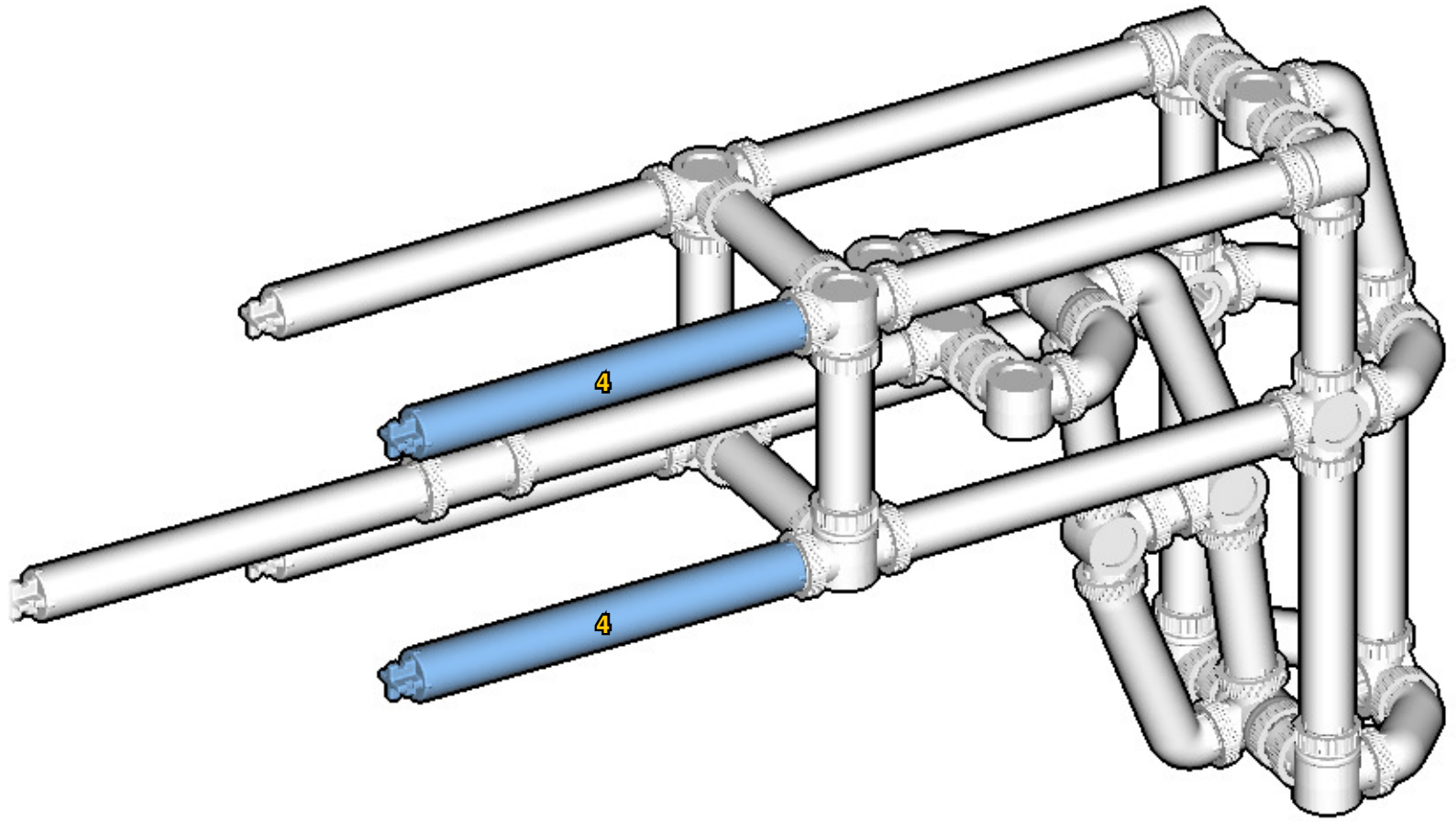
11



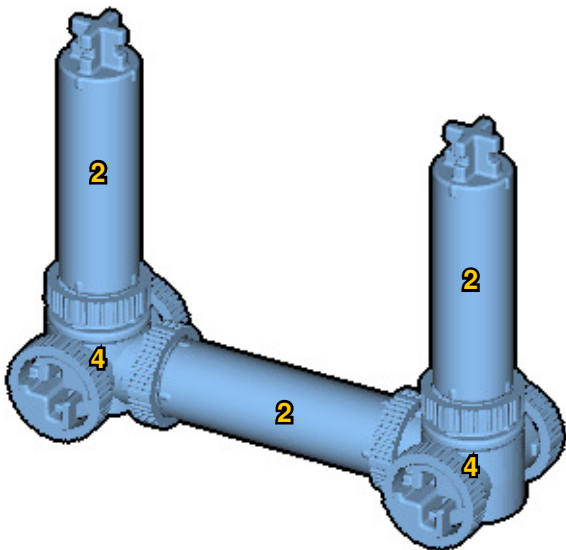




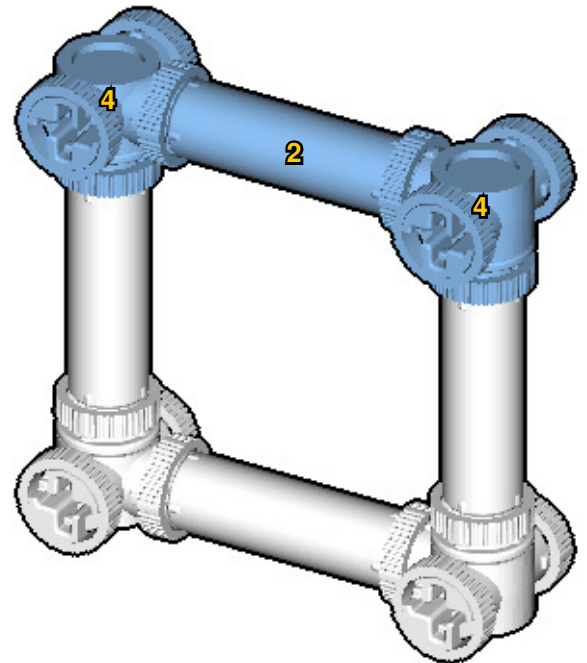
17



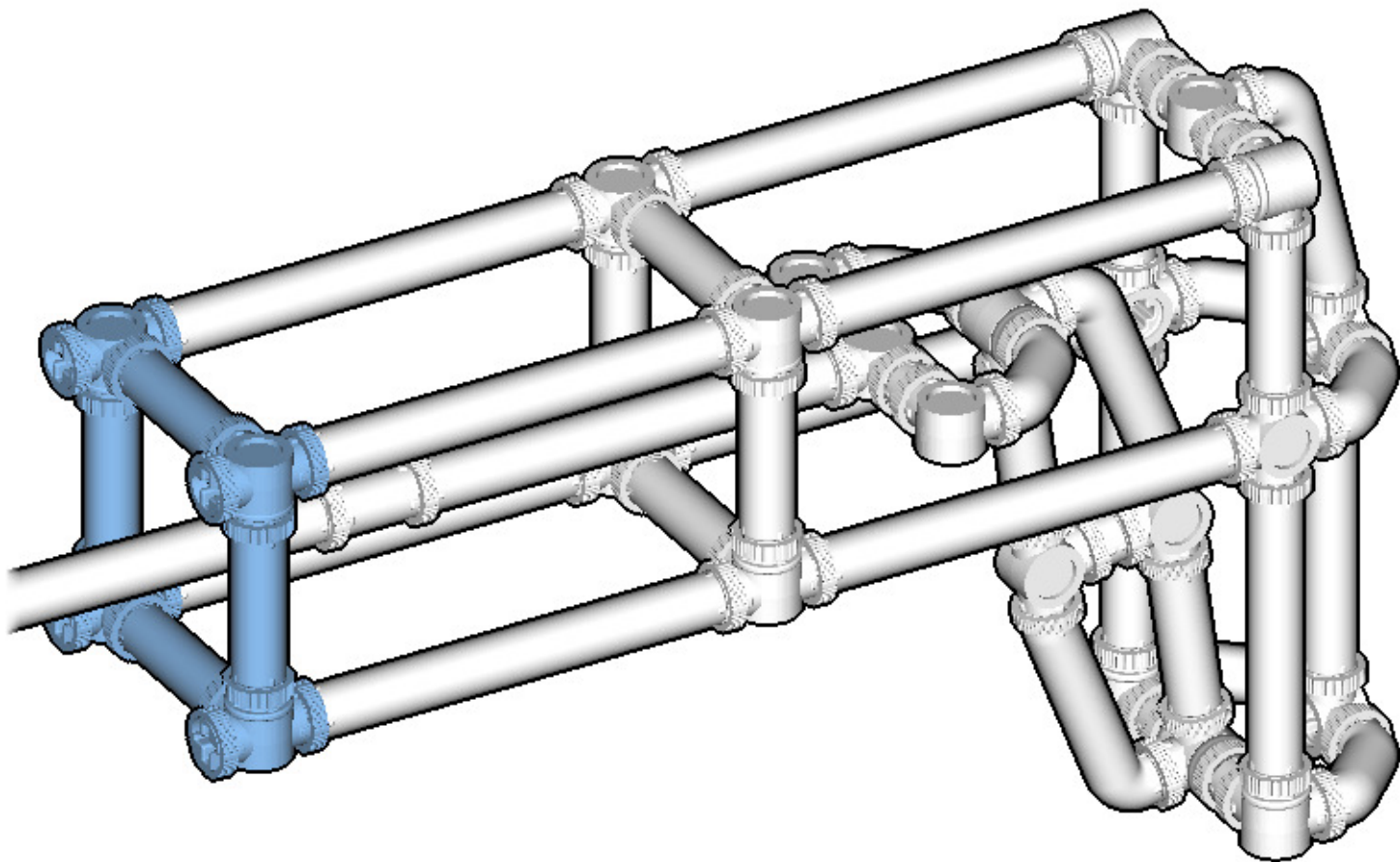
18



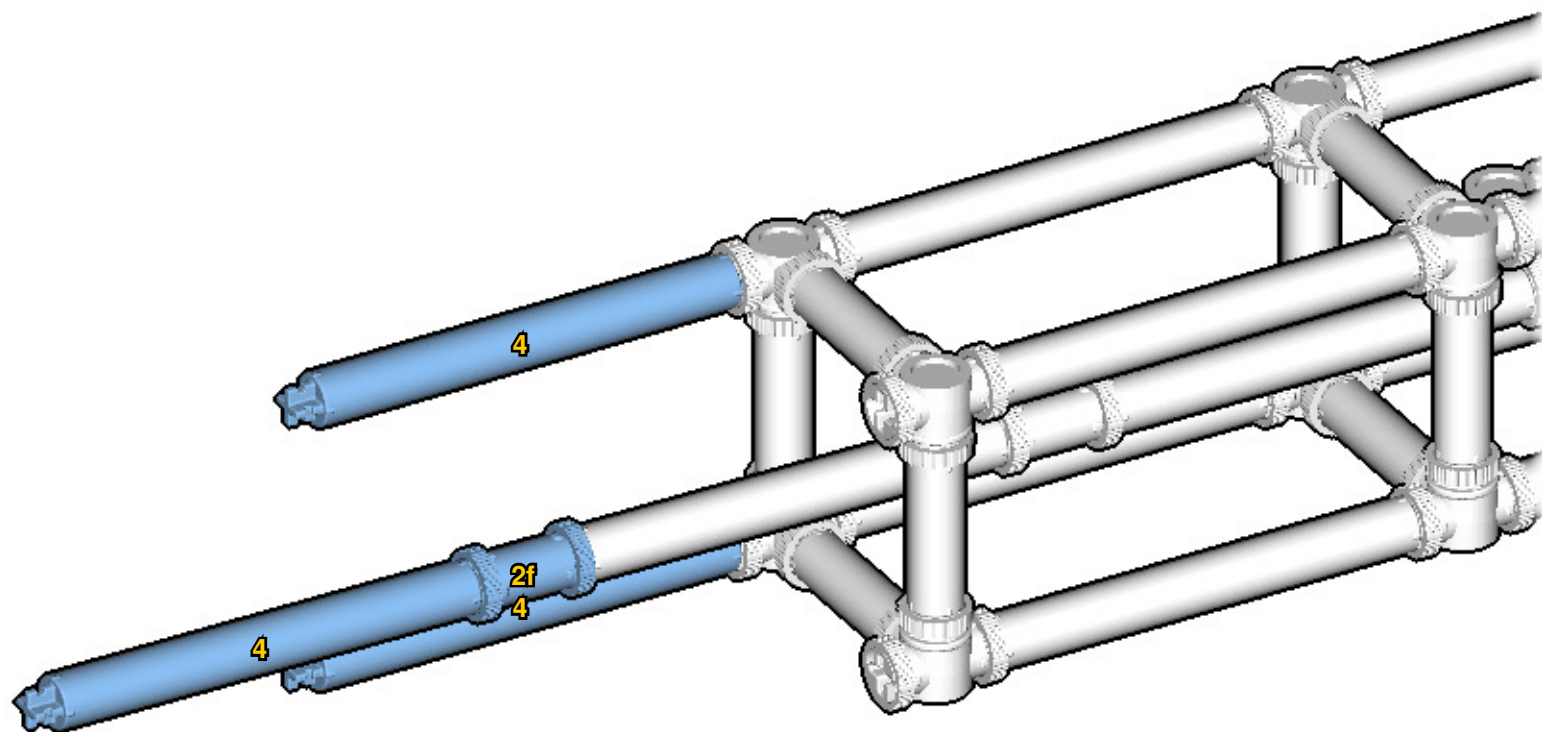
19

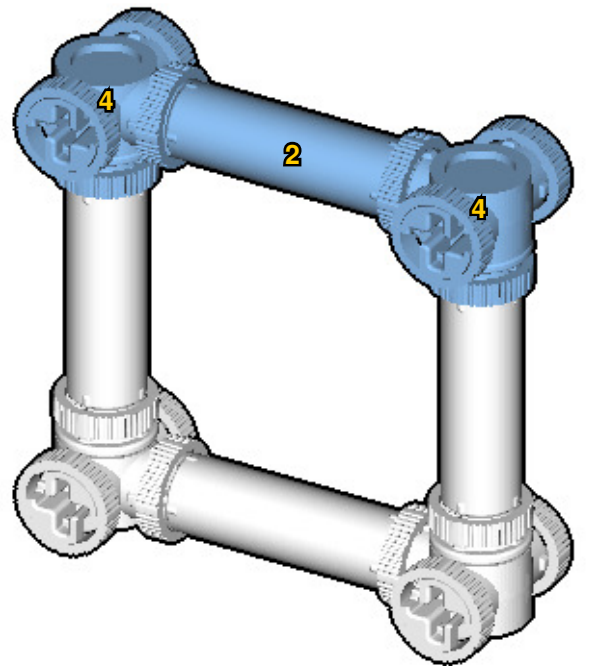
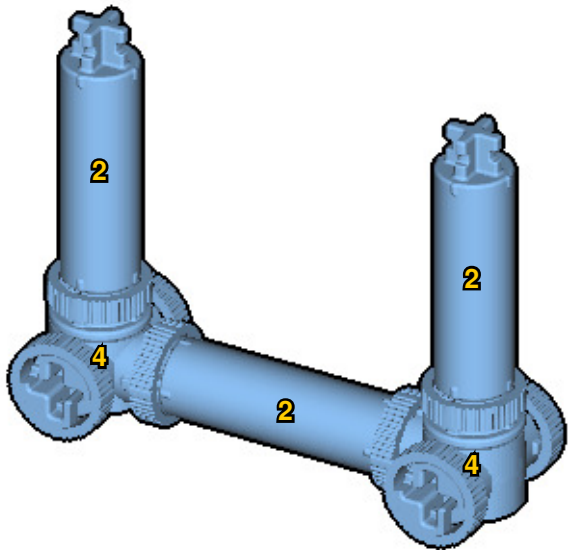
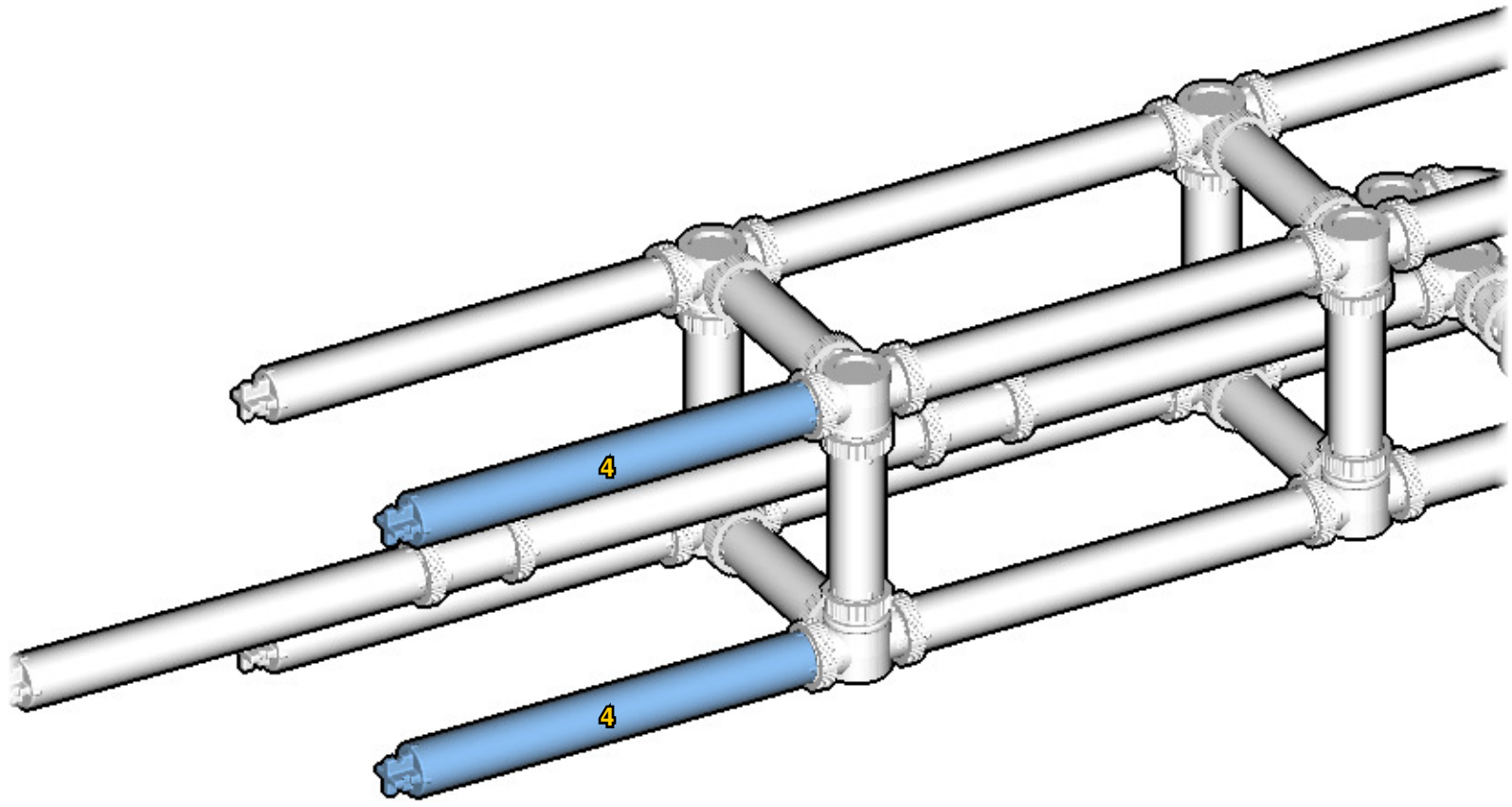


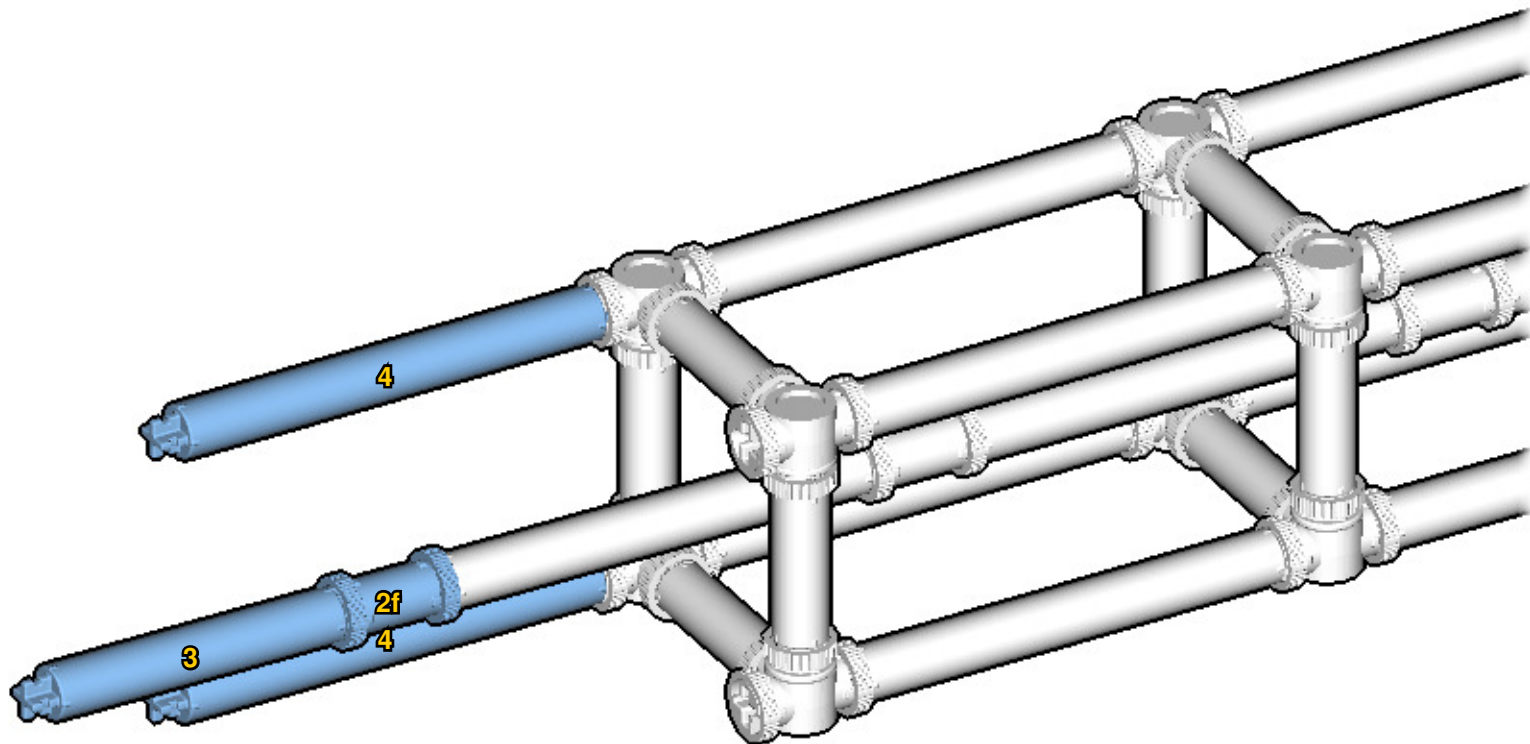
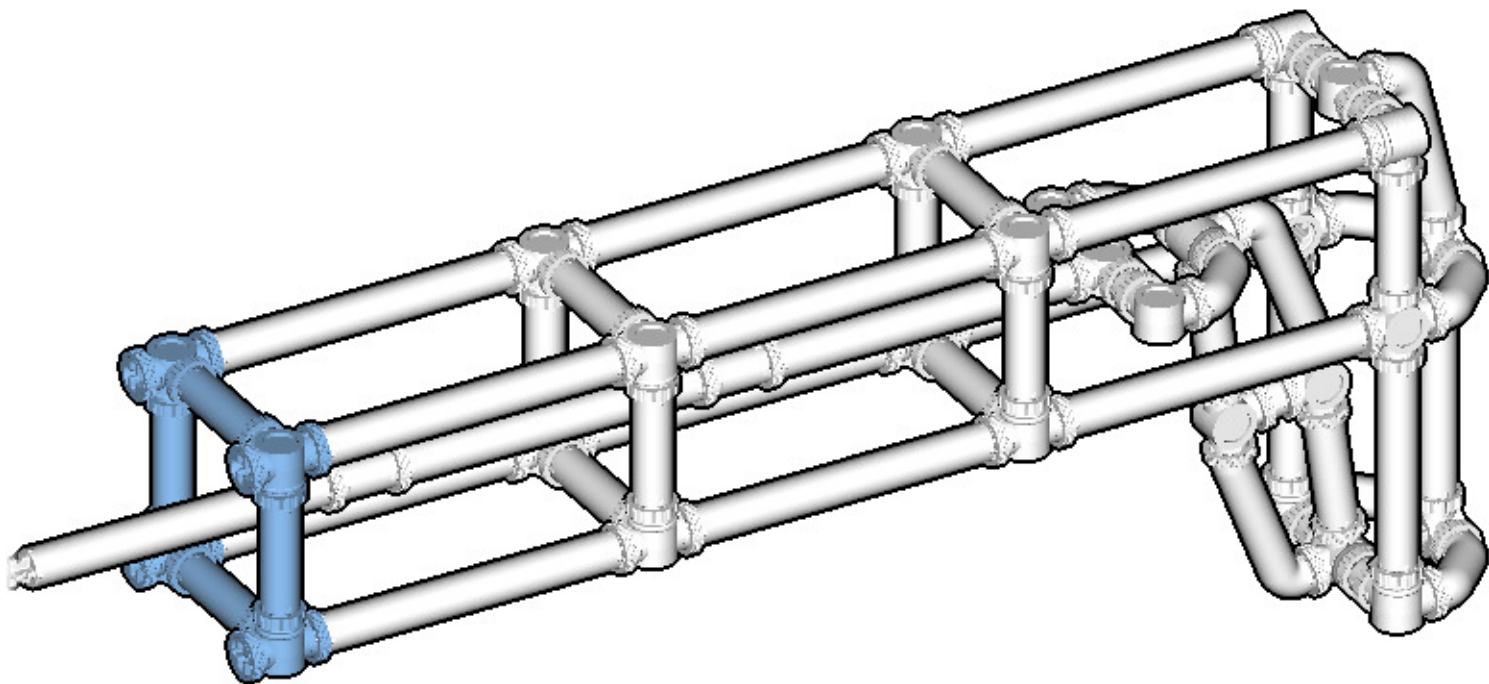
20



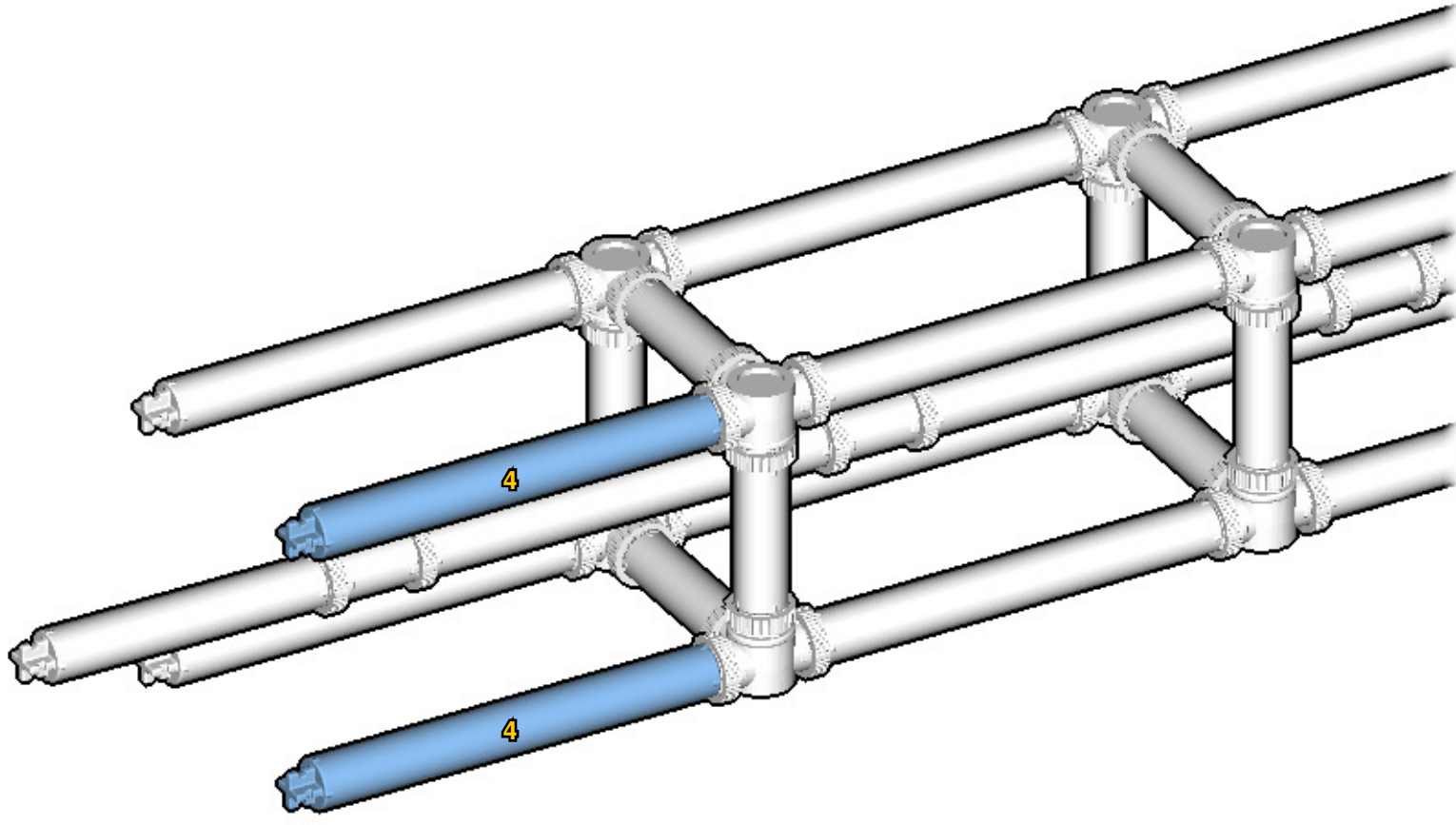
21



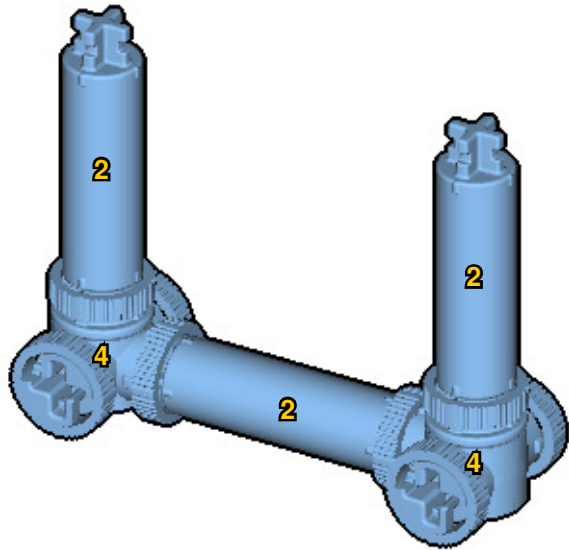




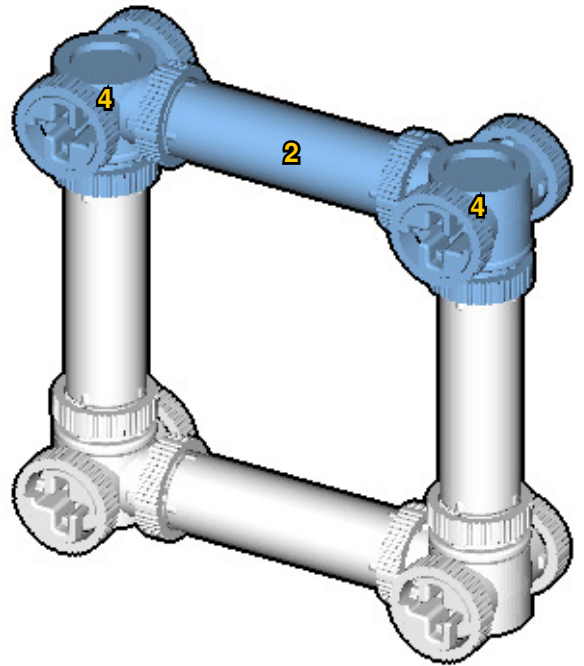
27



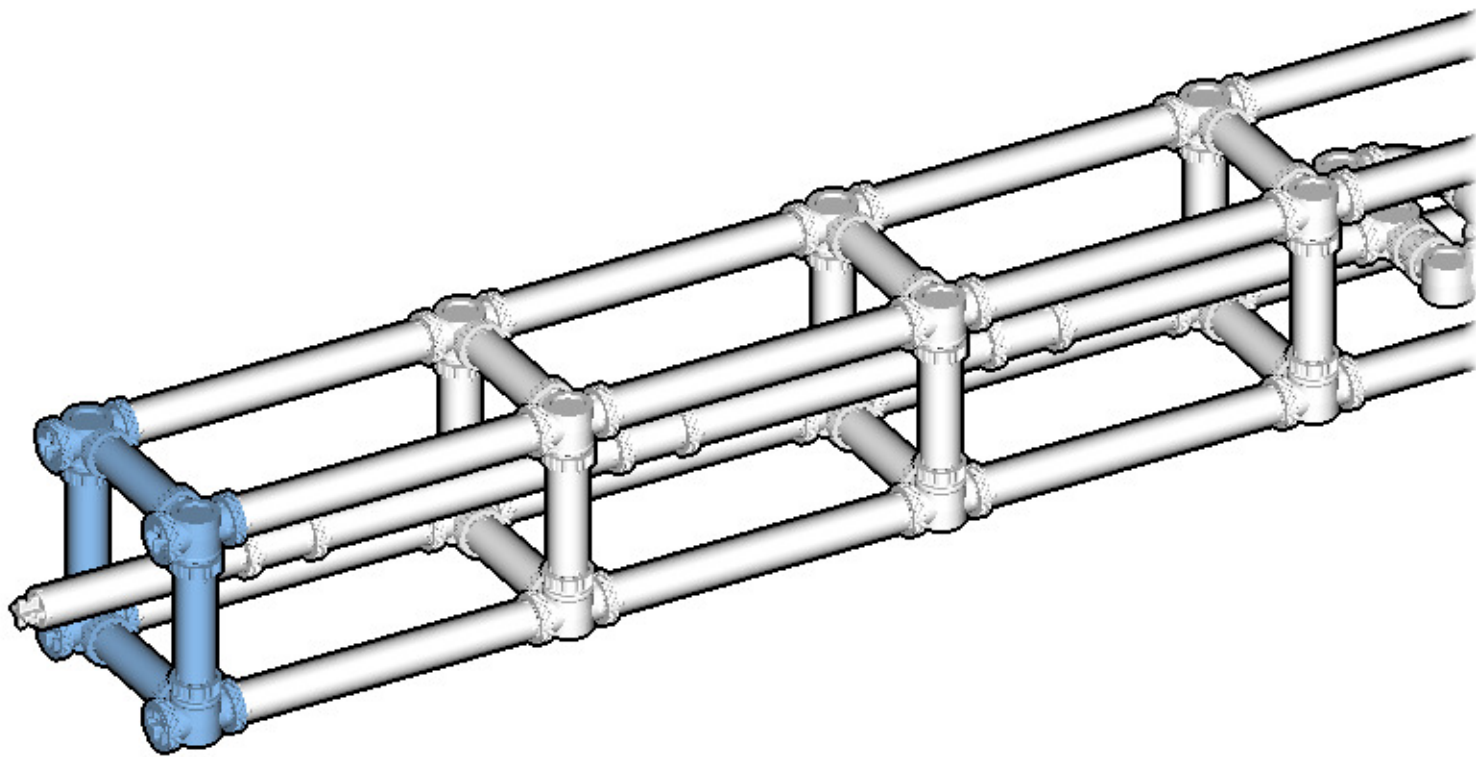
28



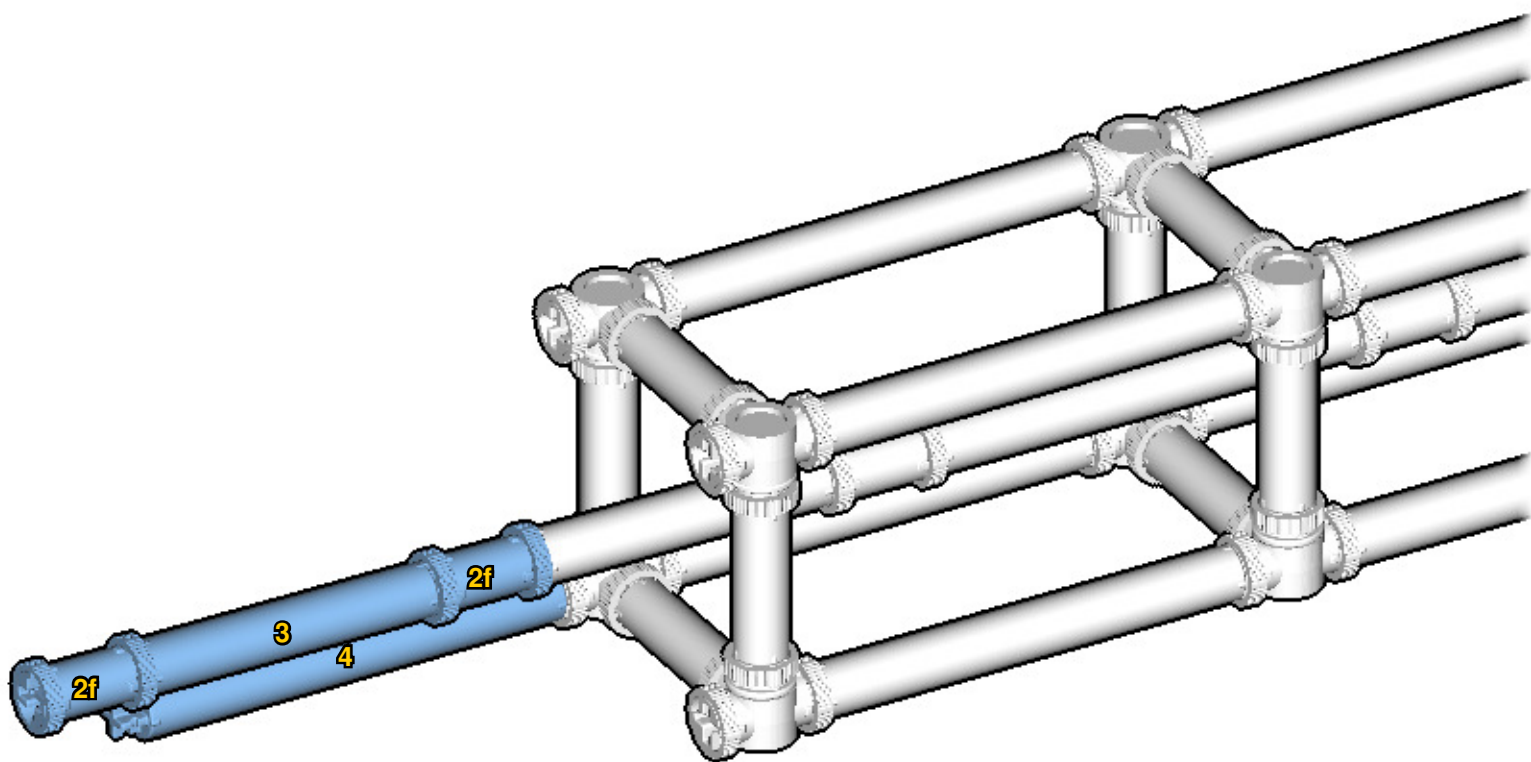
29



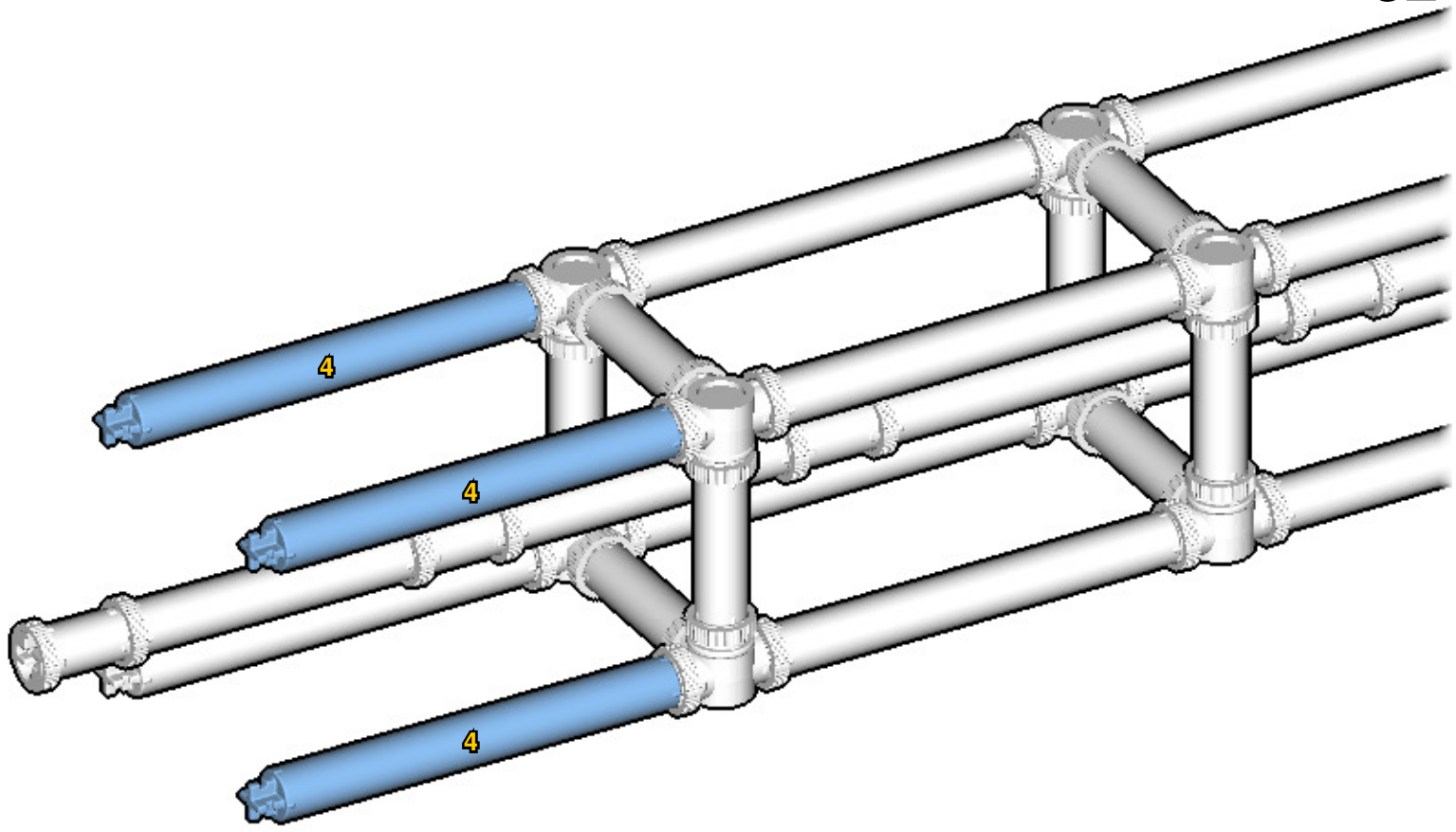
30



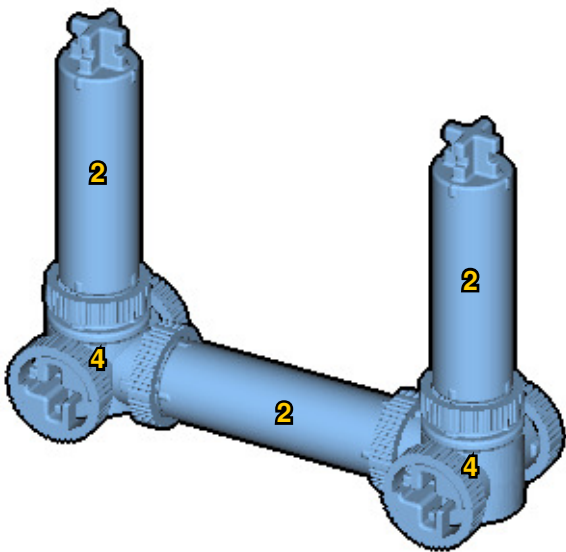
31



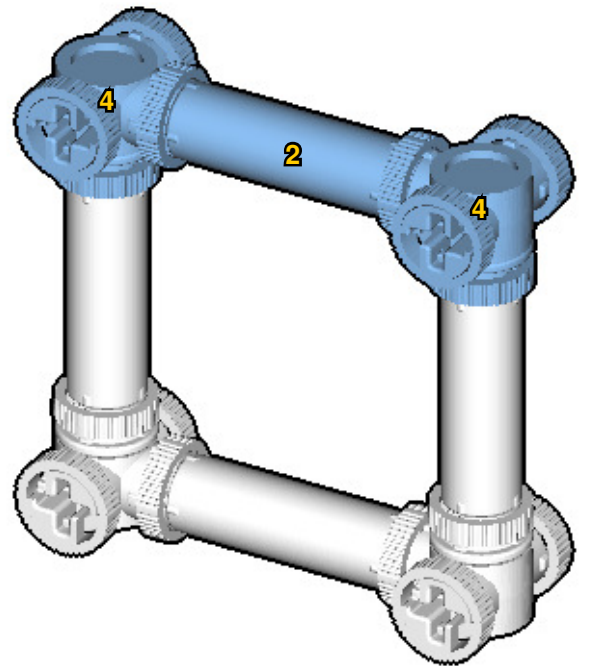
32

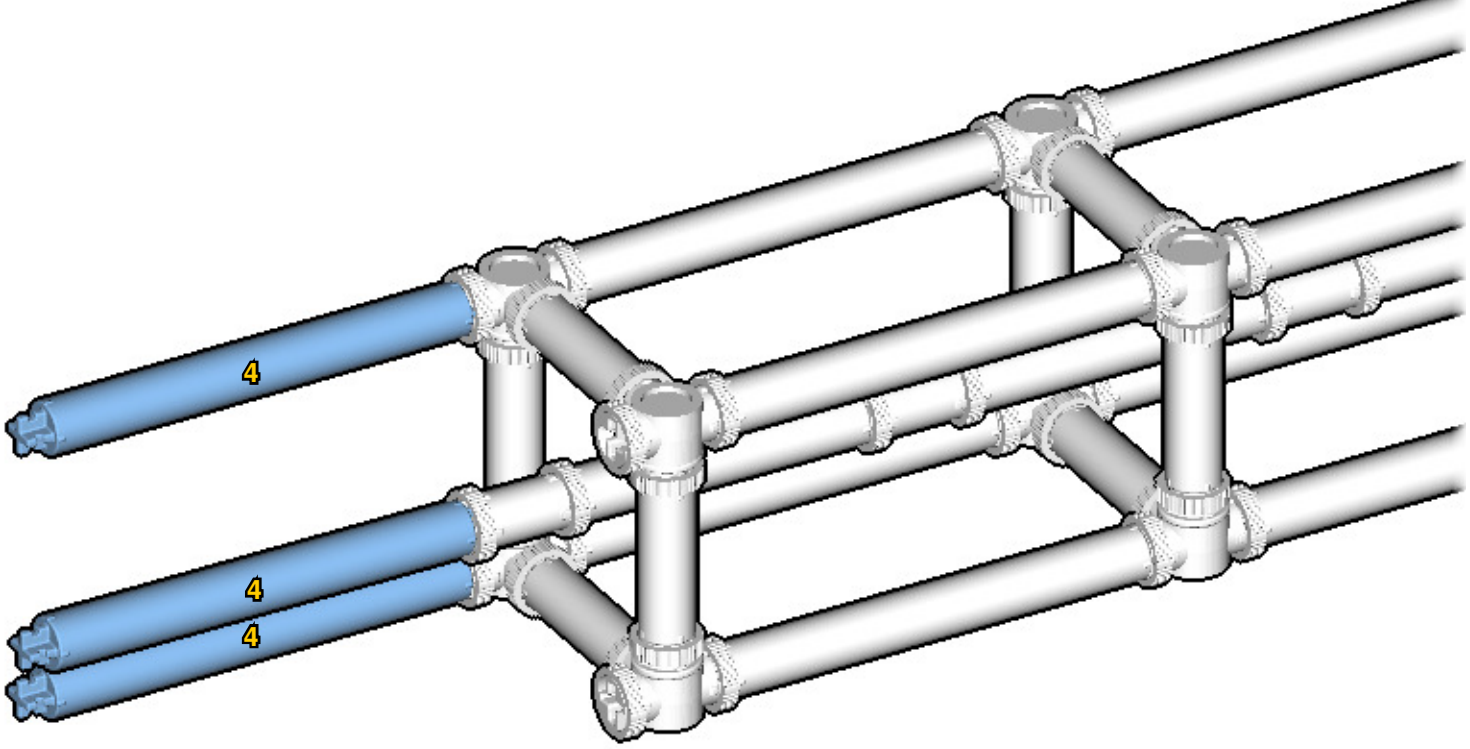
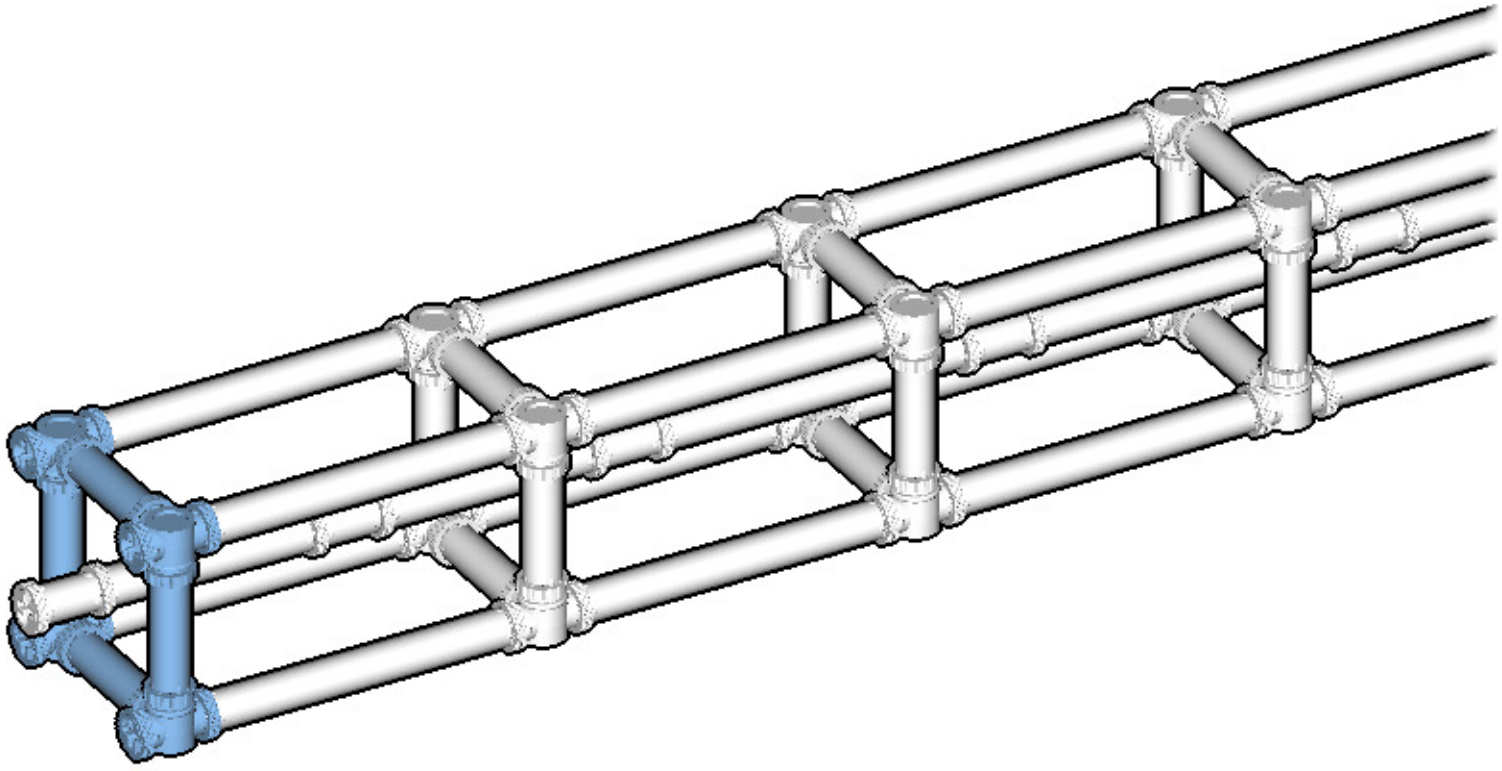


33

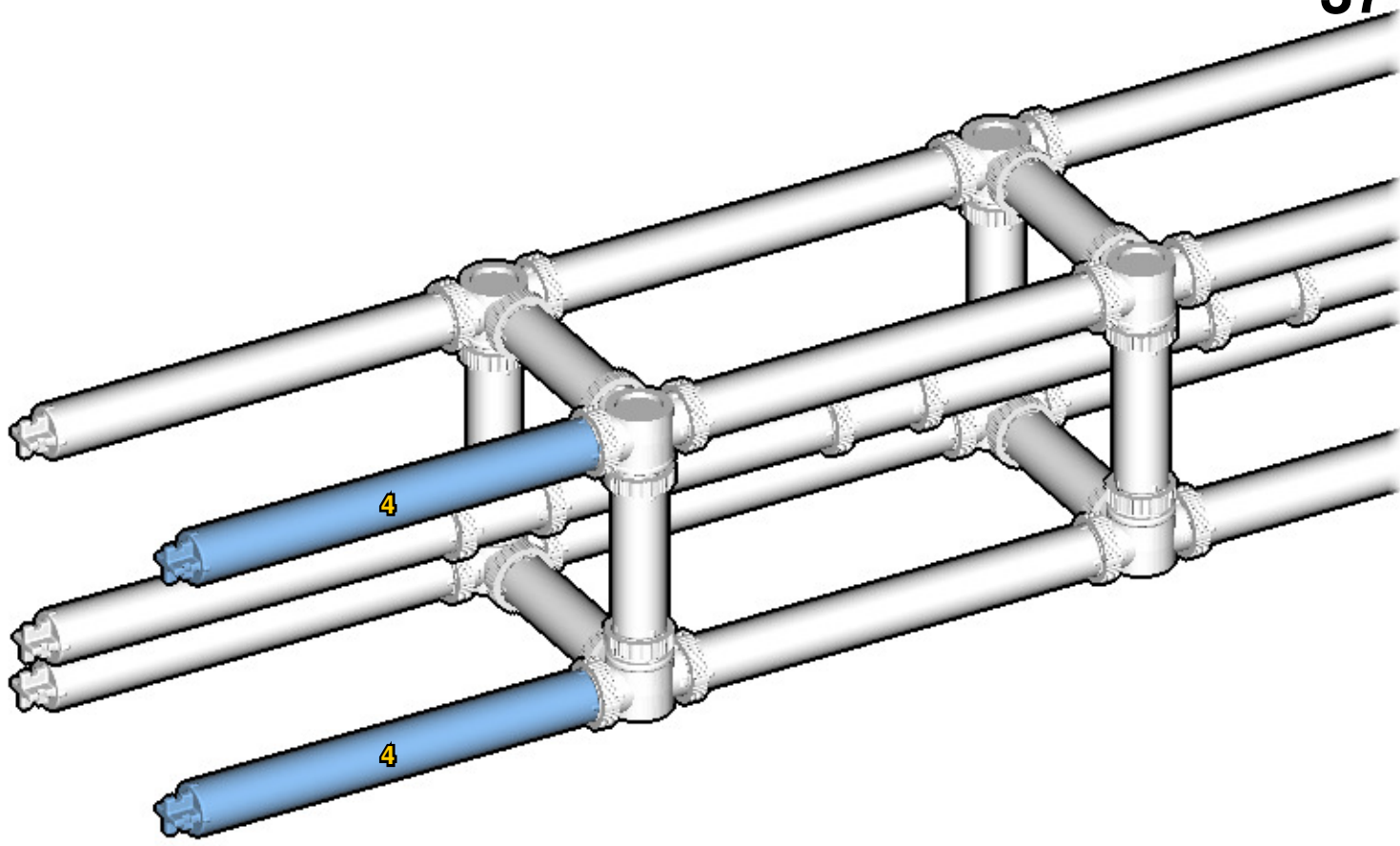


34

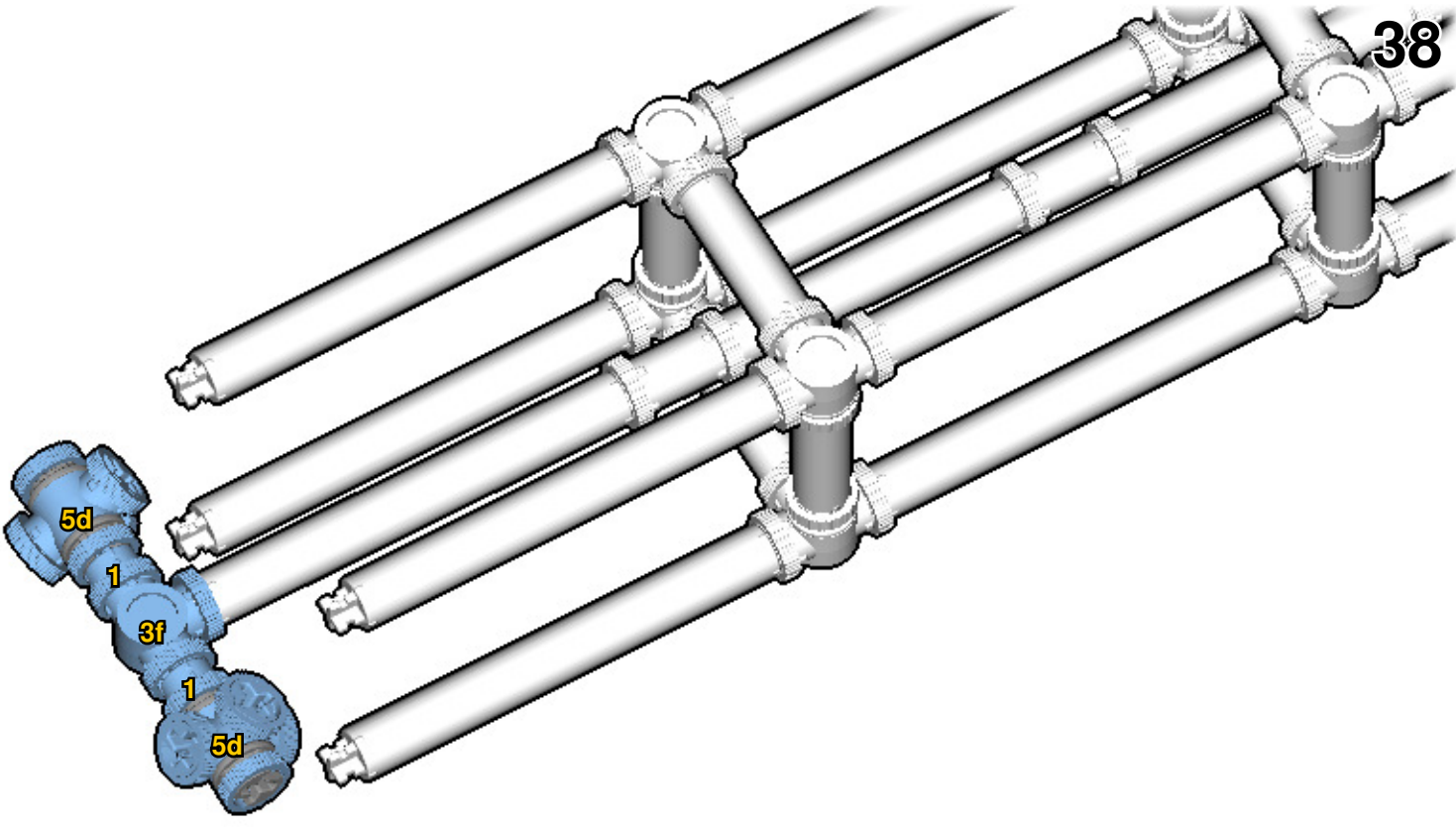


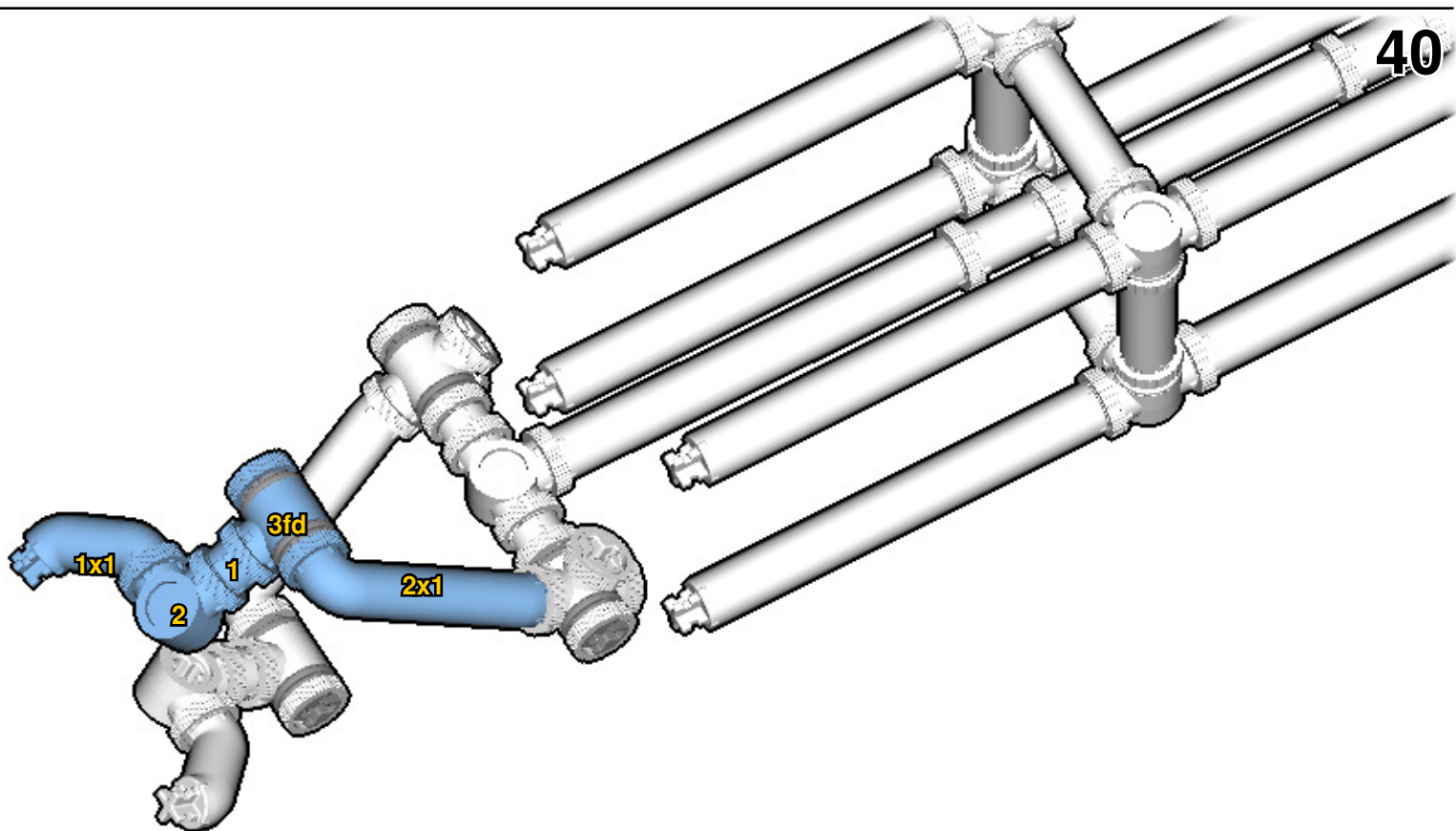
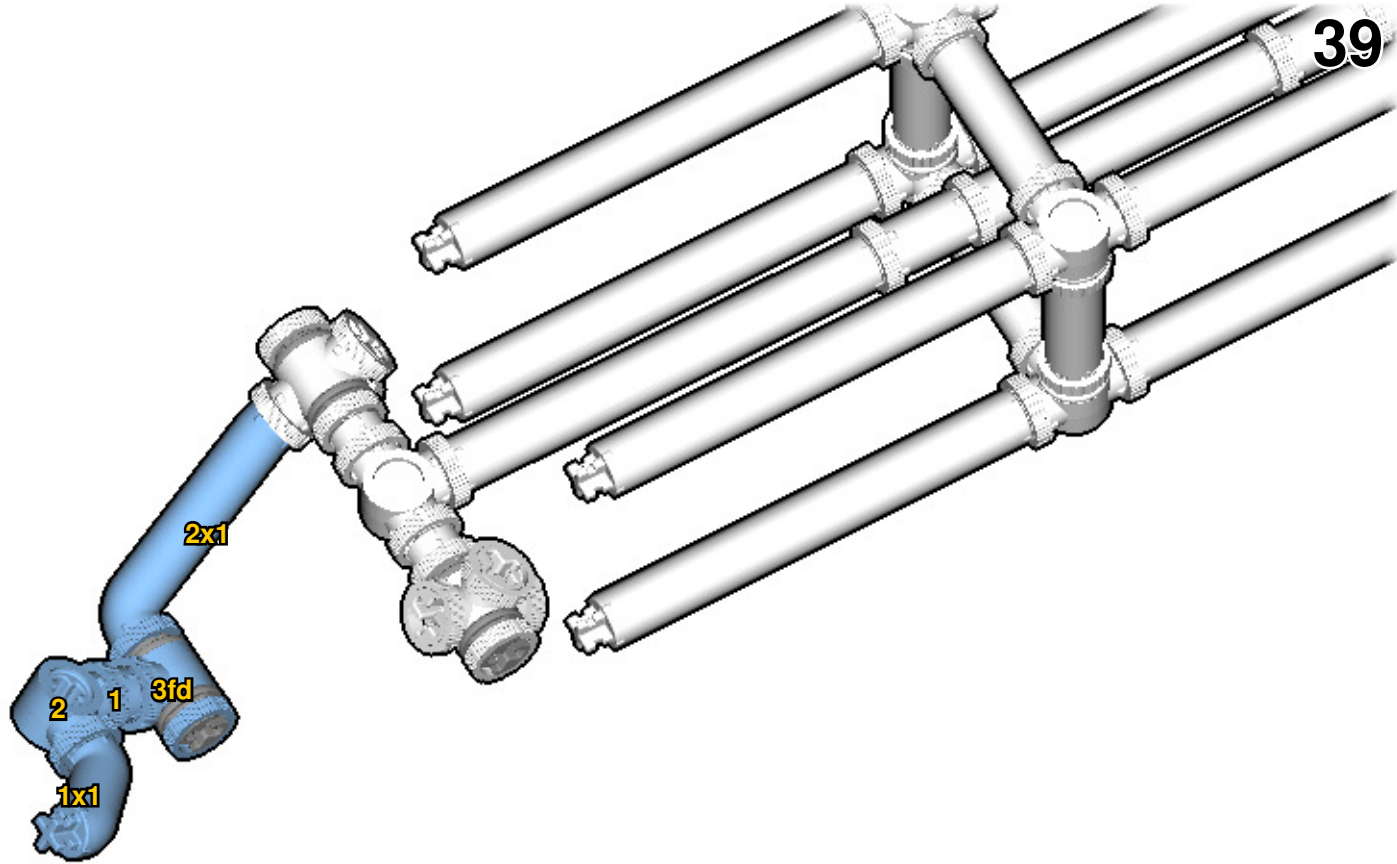


37

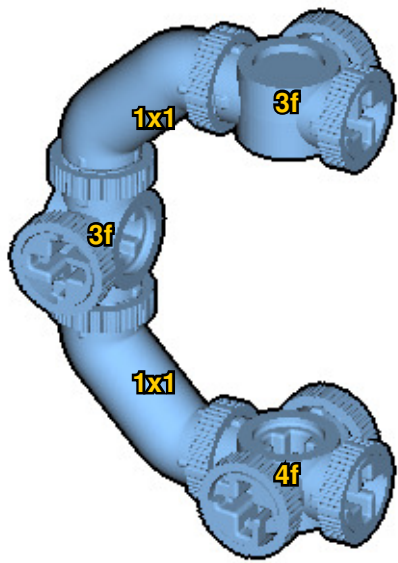


38

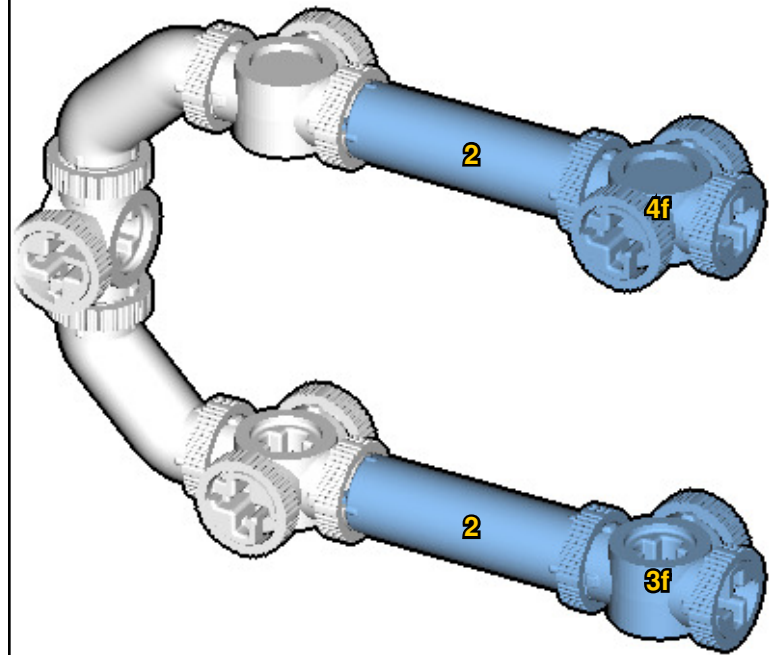




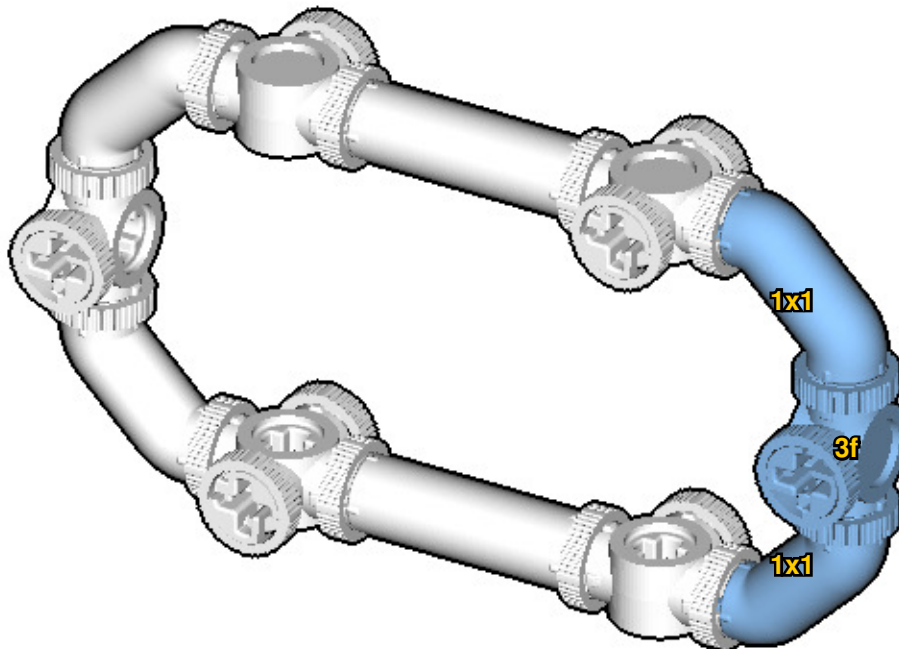
41

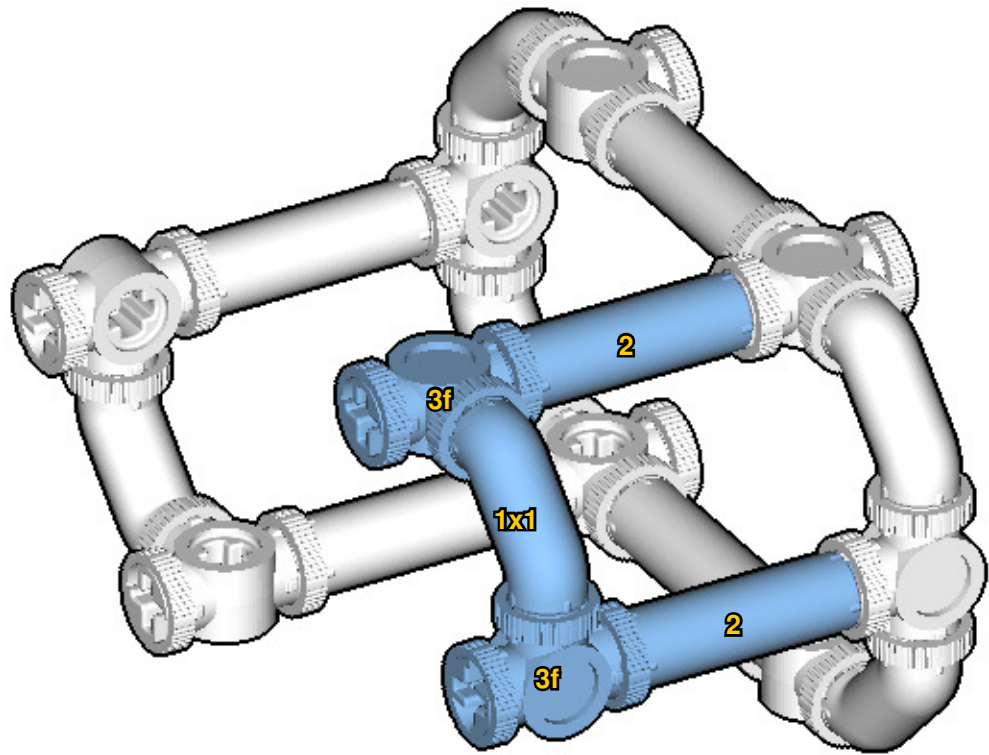
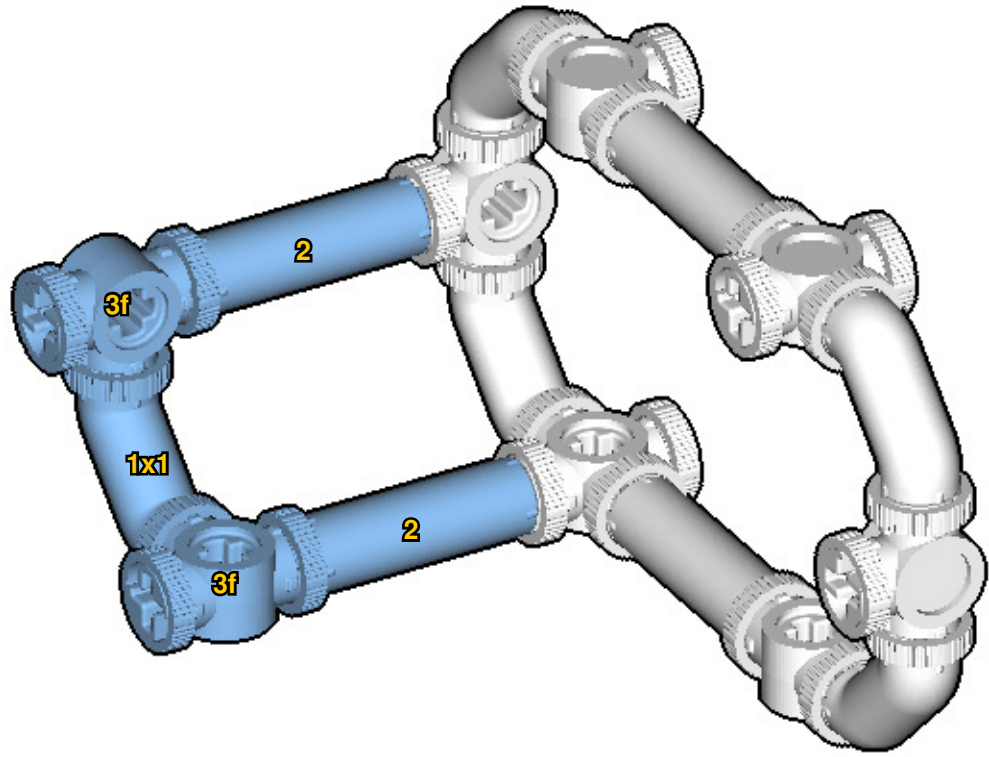


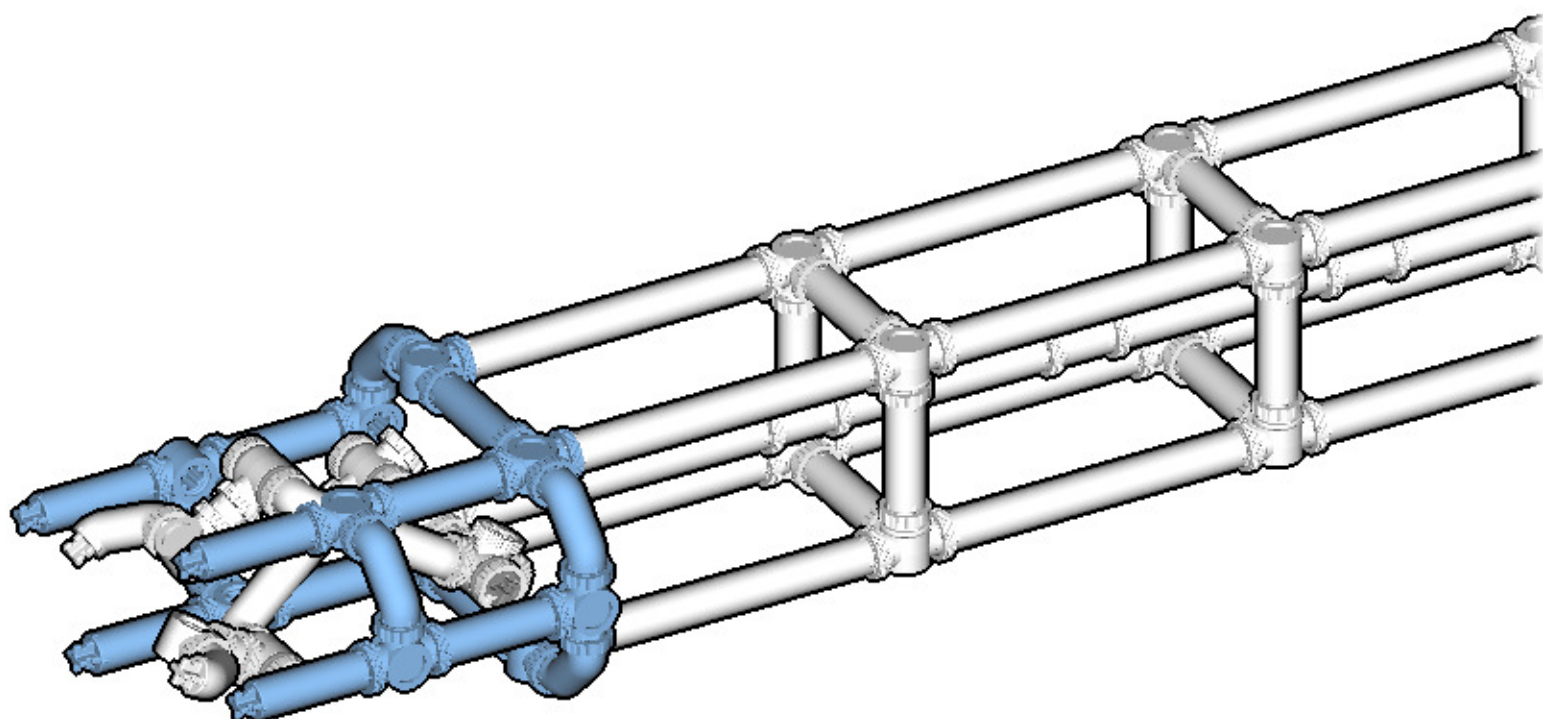
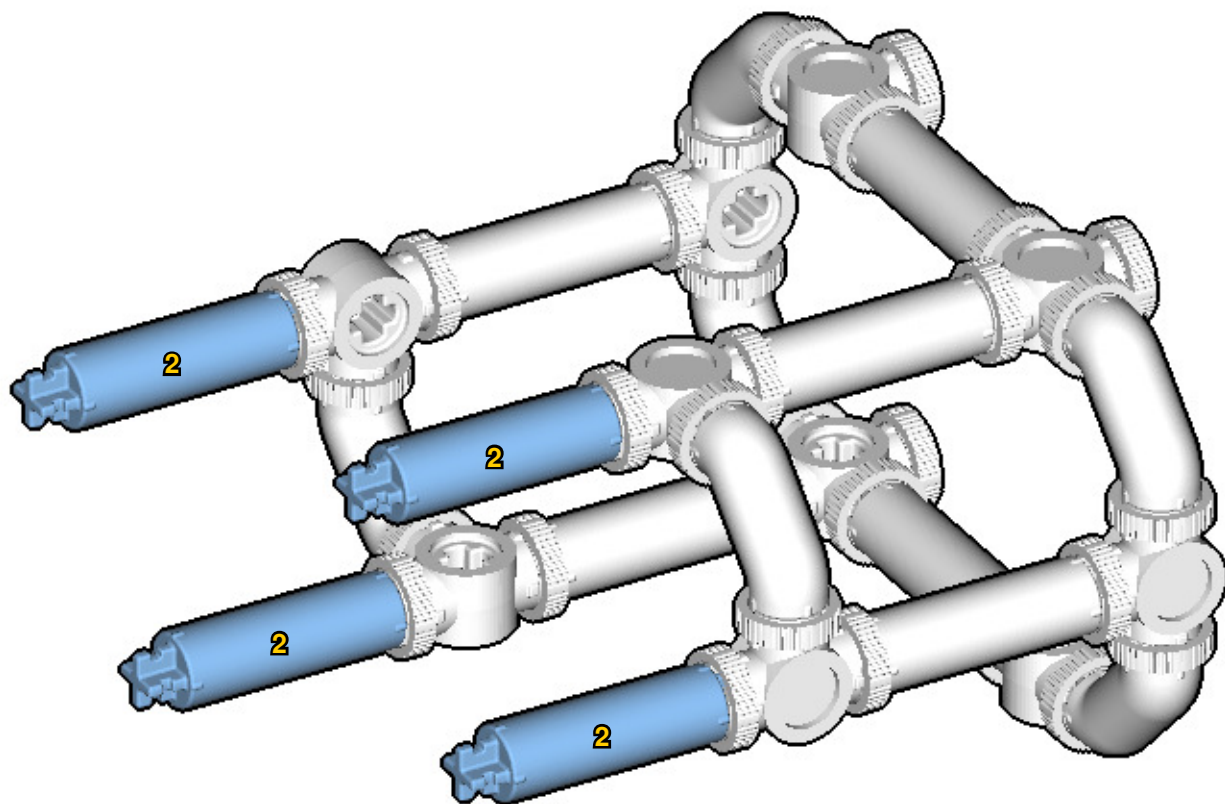
42



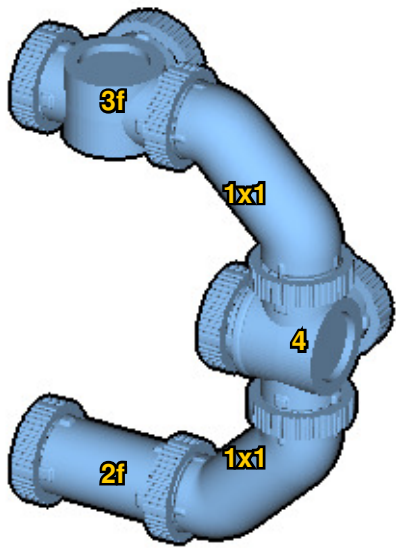
43



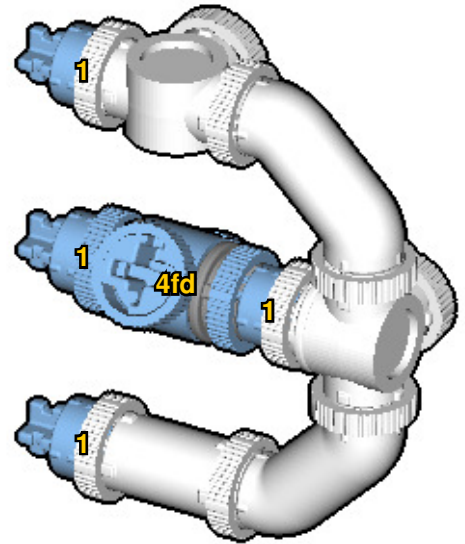




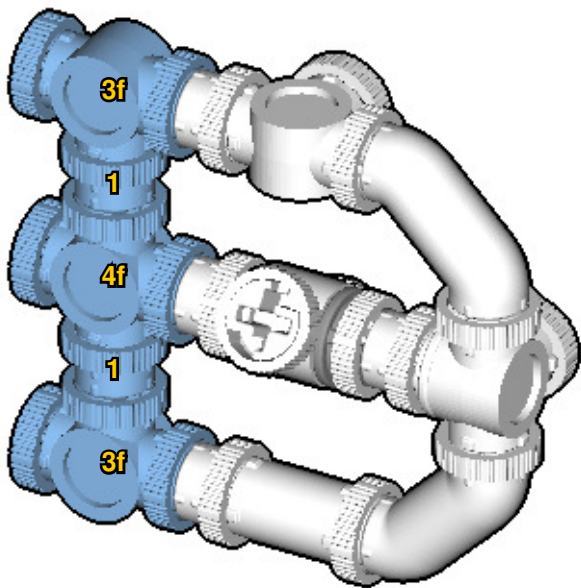
48



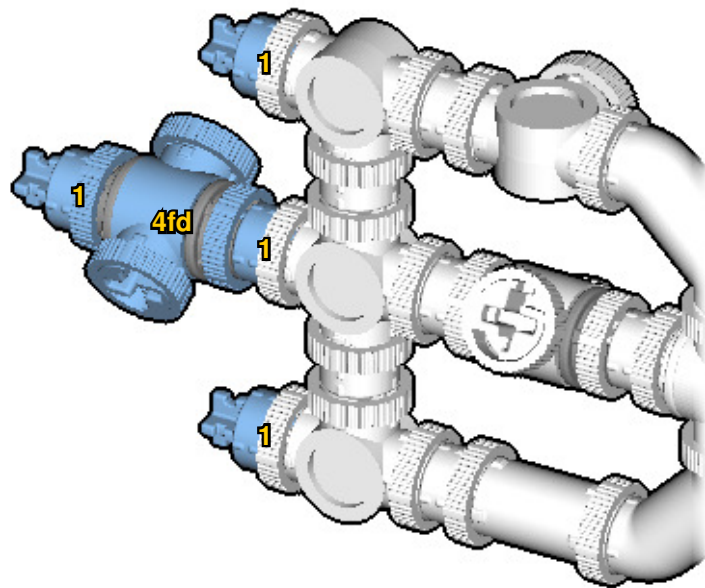
49

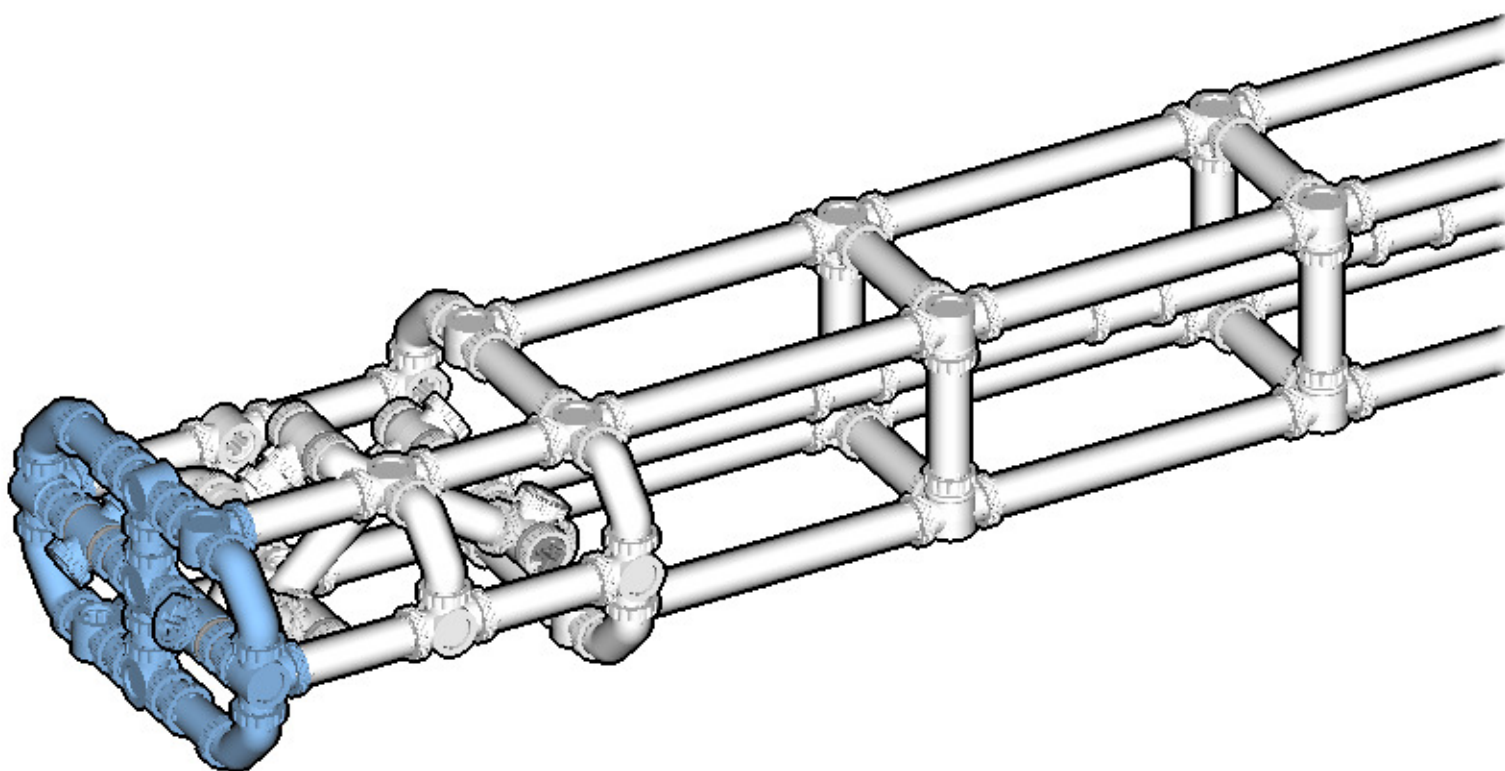
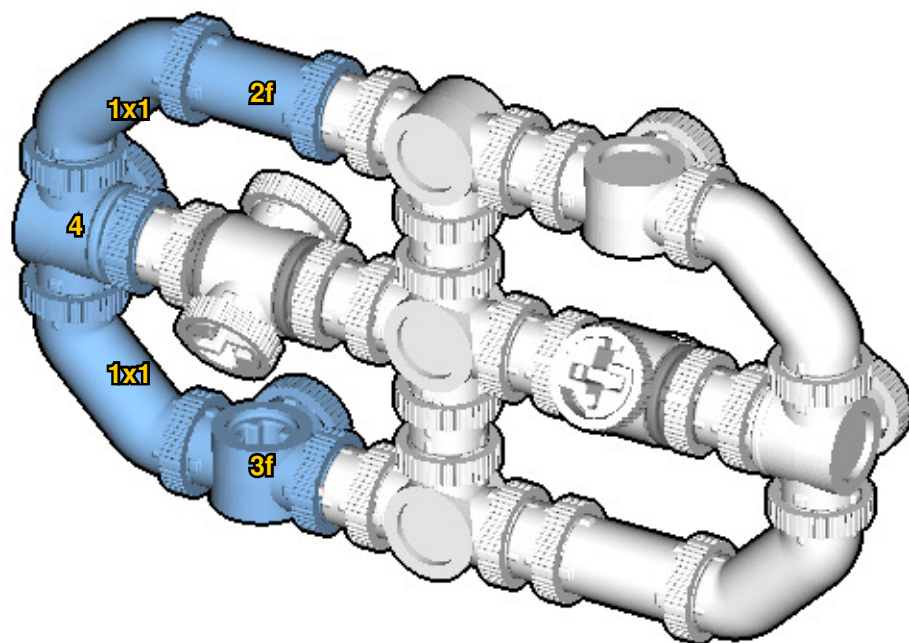


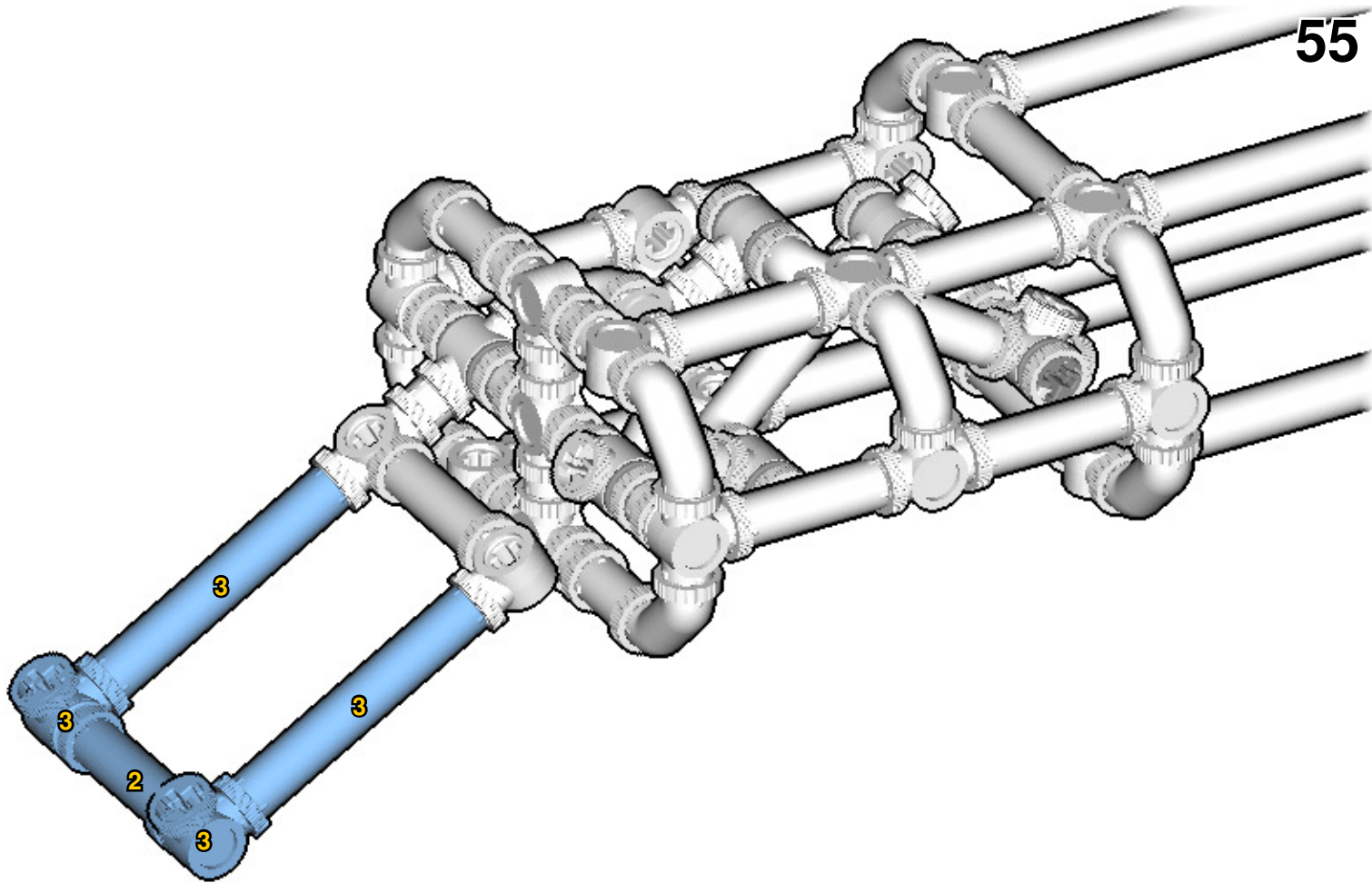
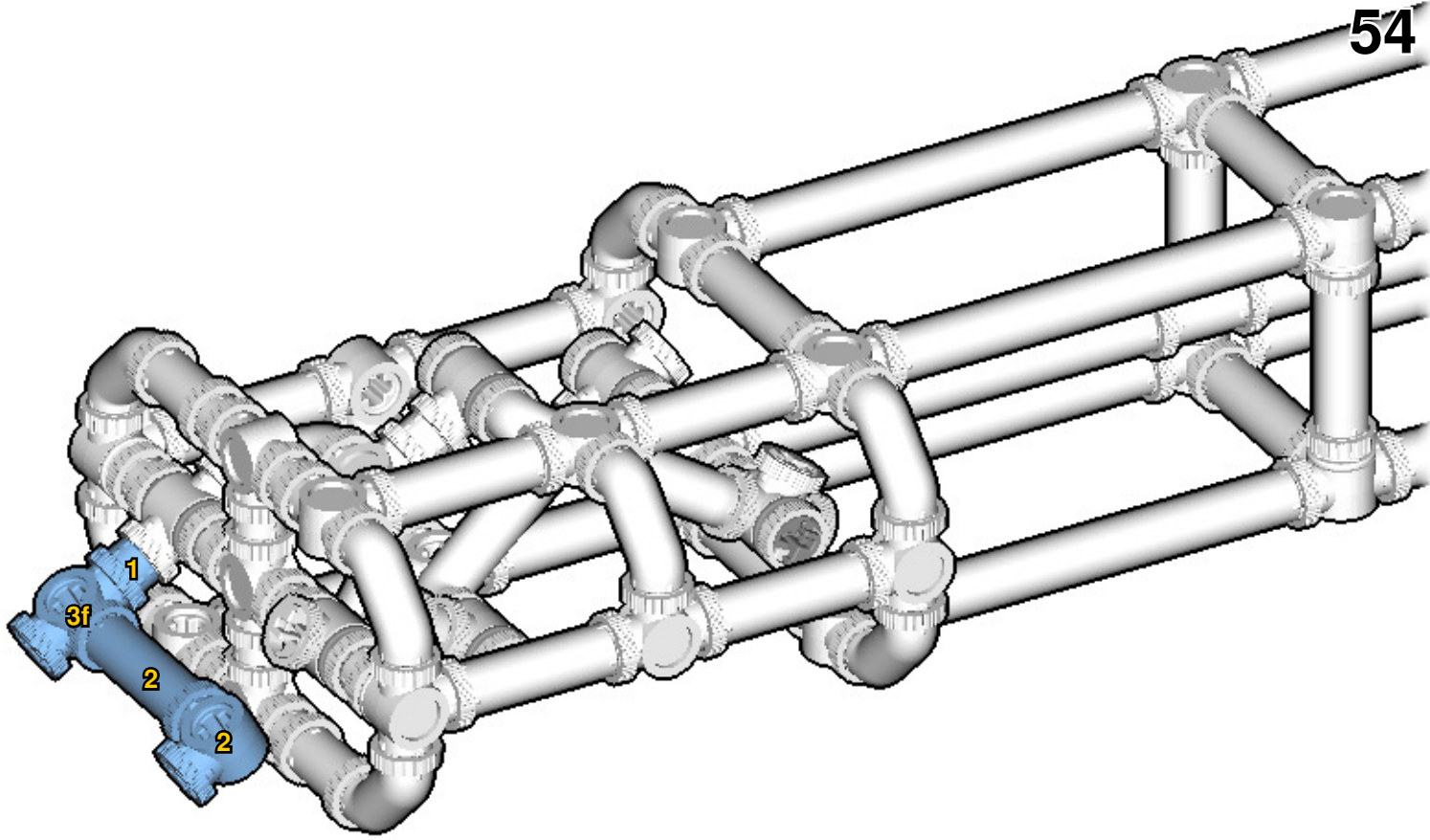
50

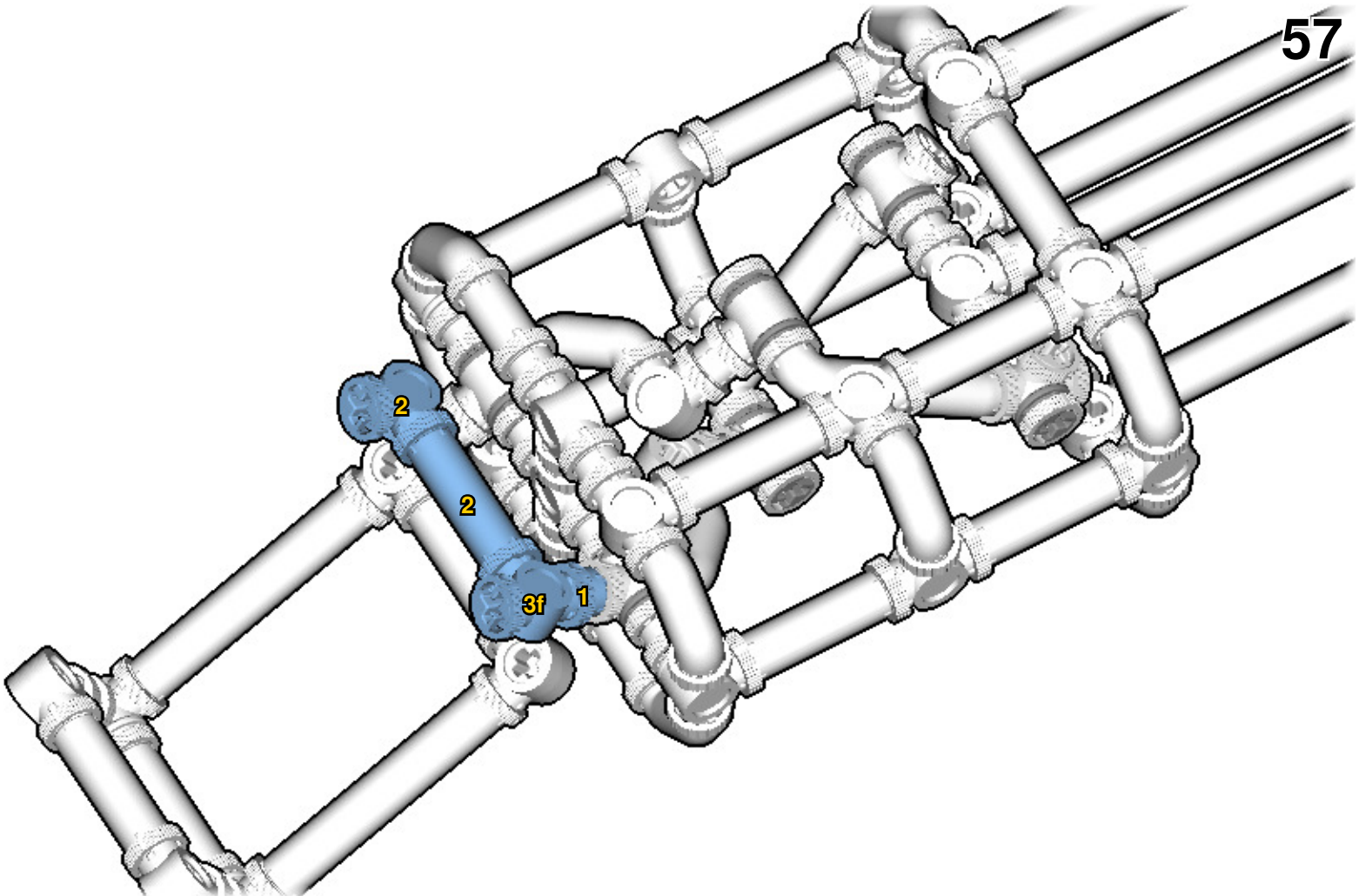
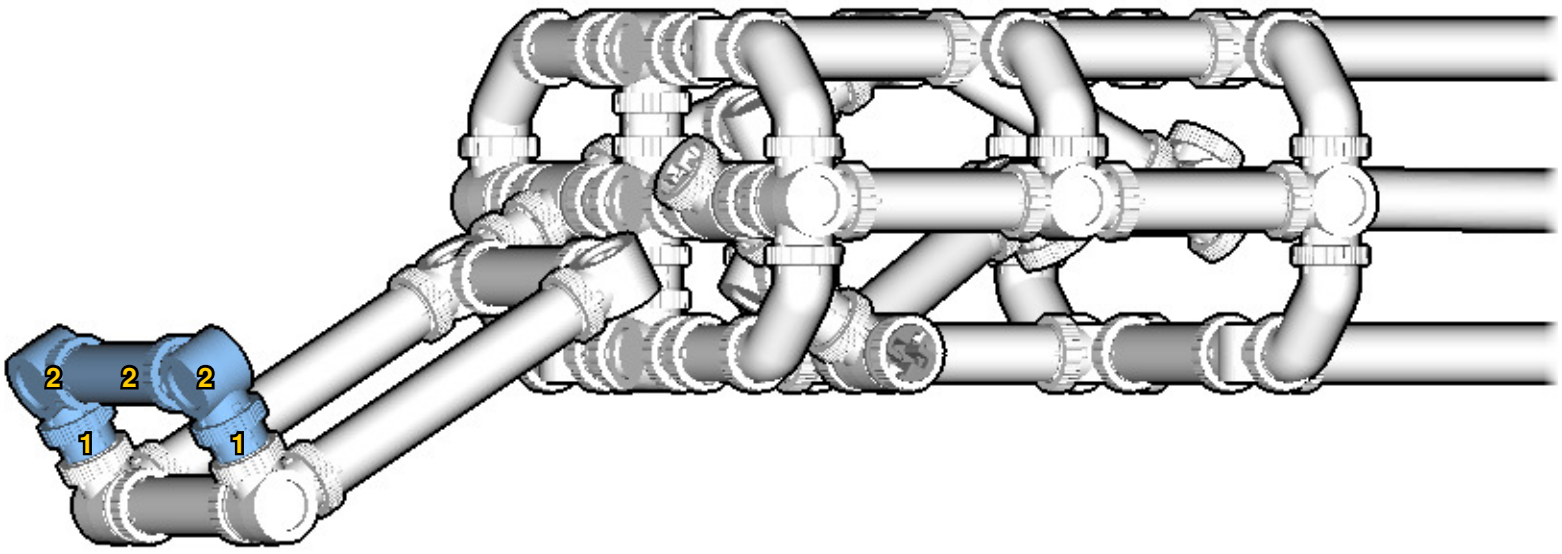


51

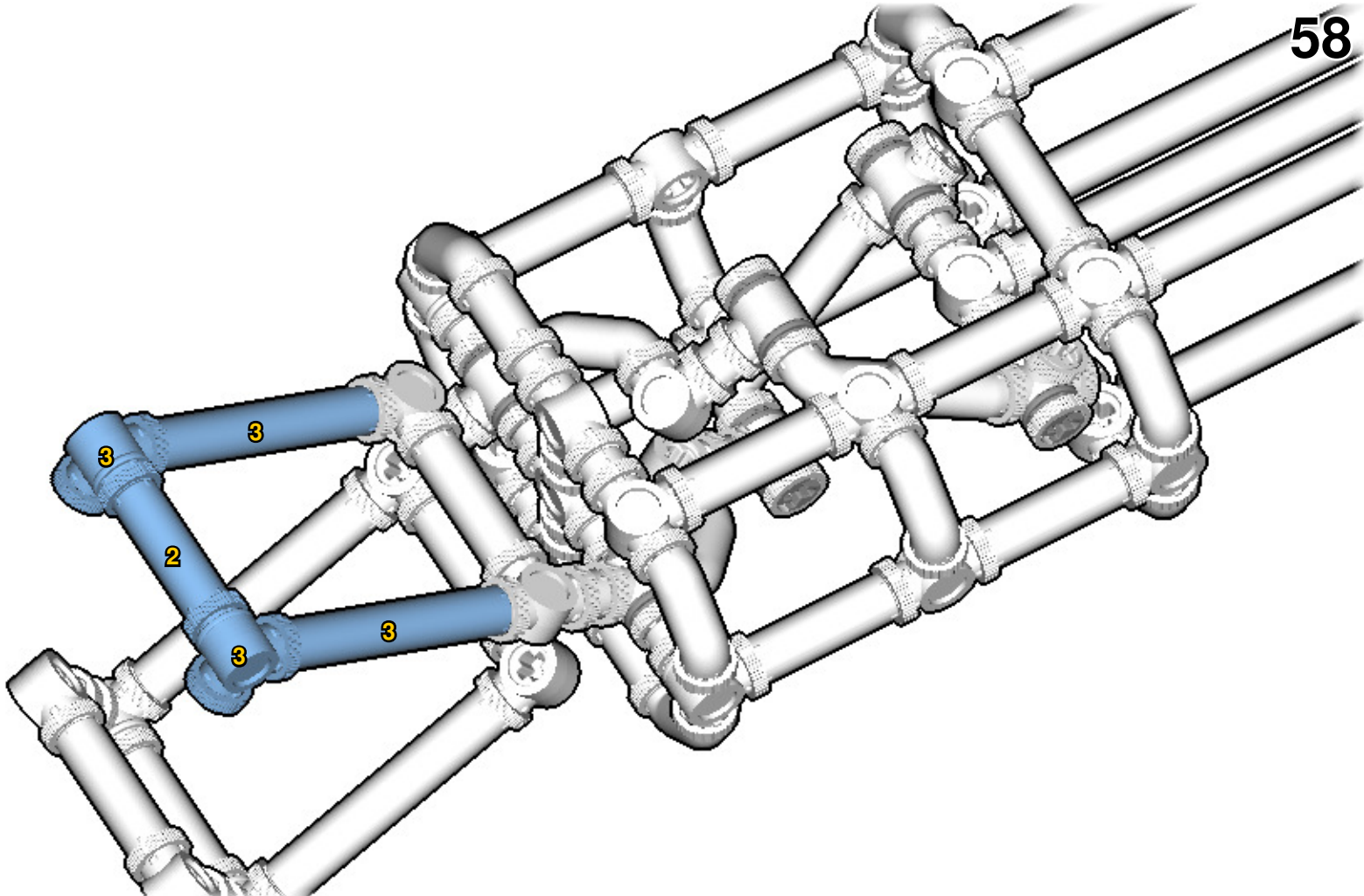




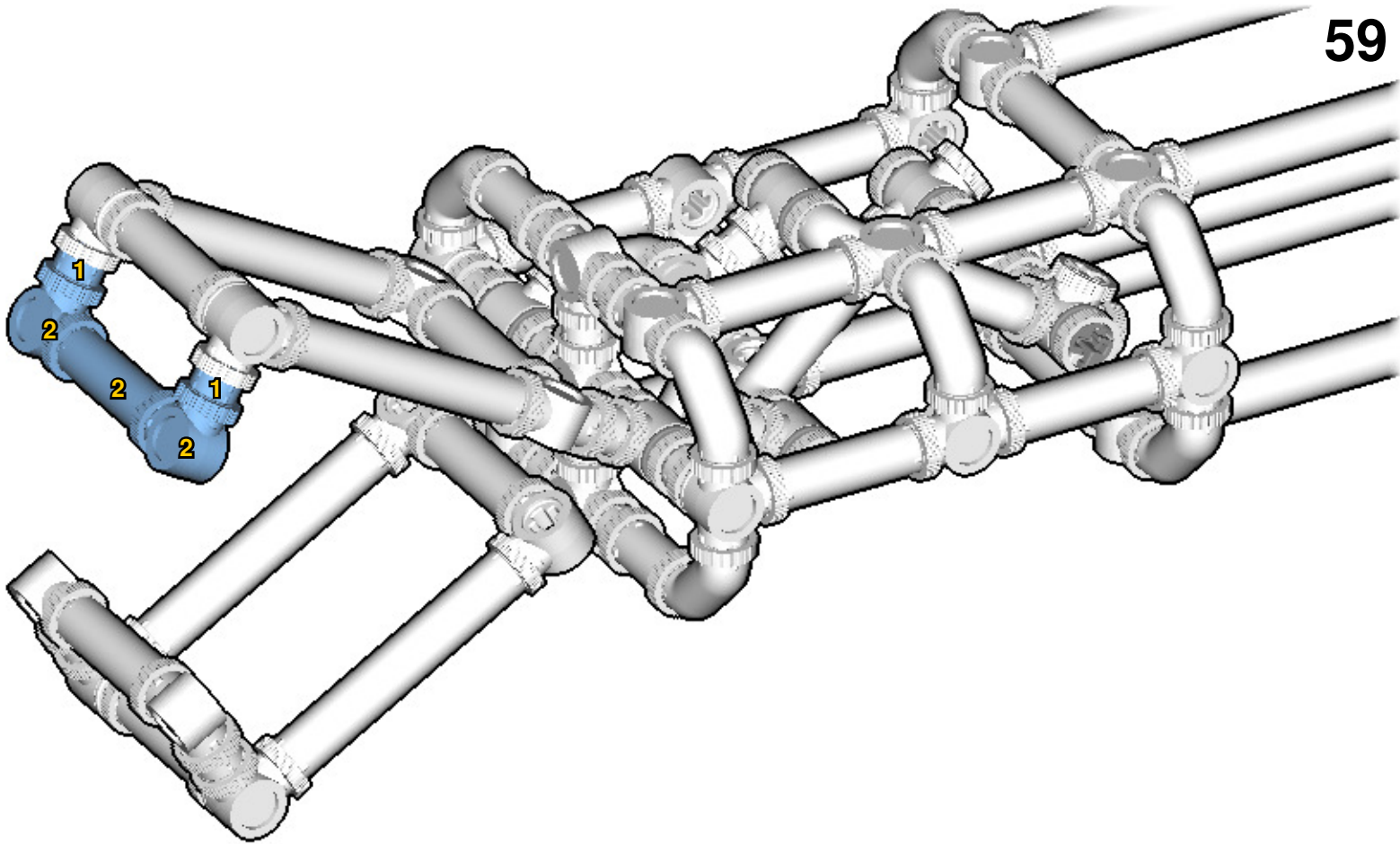




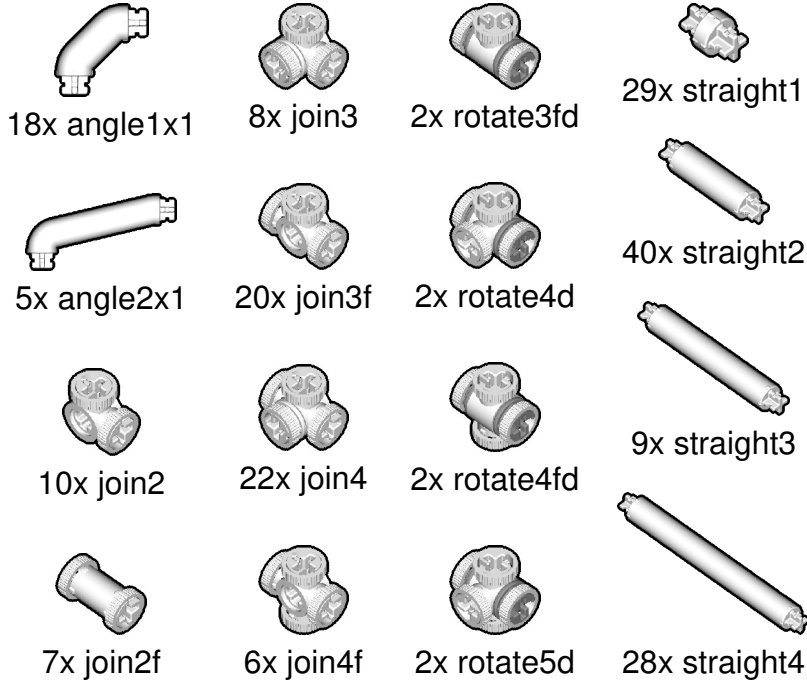
58



59



INVENTORY



ACTUAL SIZE

