

HANDRAIL CAR

SIZE
0.7ft x 0.6ft x 0.3ft

PIECES
216

DESIGNER
Charles Sharman

MADE IN
U.S.A.

⚠ WARNING: Small parts. Age 12+. Handle responsibly. U.S. Patent 9,086,087.

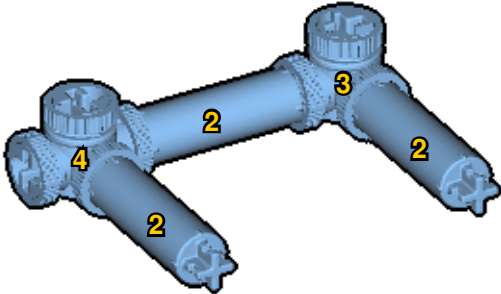


Wrong
Connecting/Disconnecting Two Directions



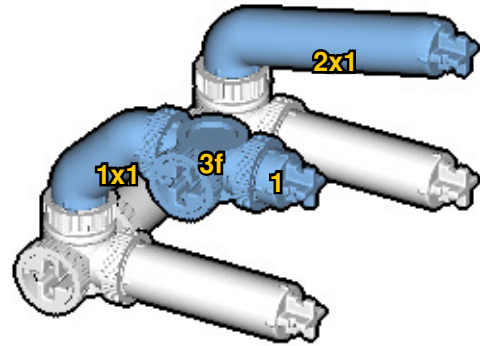
Right
Connecting/Disconnecting One Direction

1



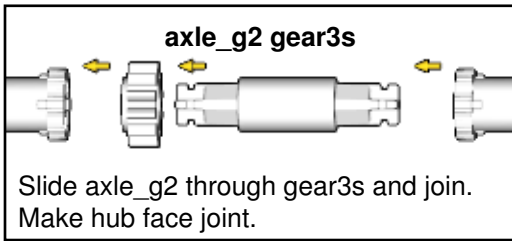
New pieces are drawn blue. Old pieces are drawn white.
See back for piece names.

2



Connect new pieces together before connecting to old pieces.

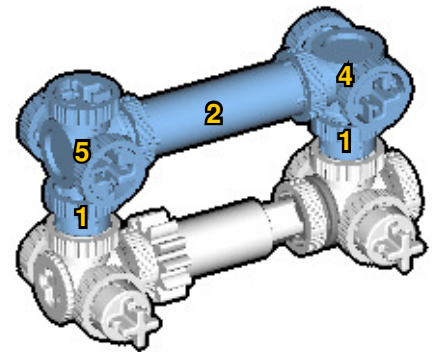
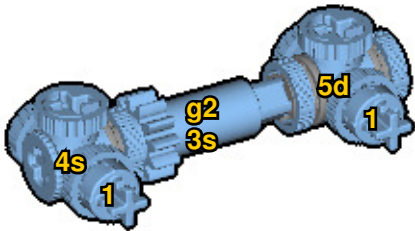
3

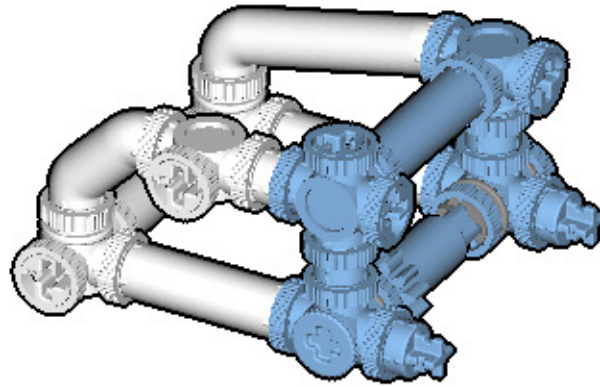


model begins →

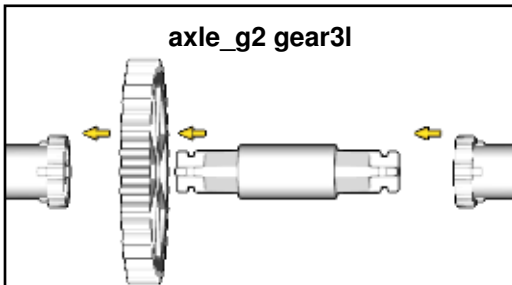
Slide axle_g2 through gear3s and join.
Make hub face joint.

4

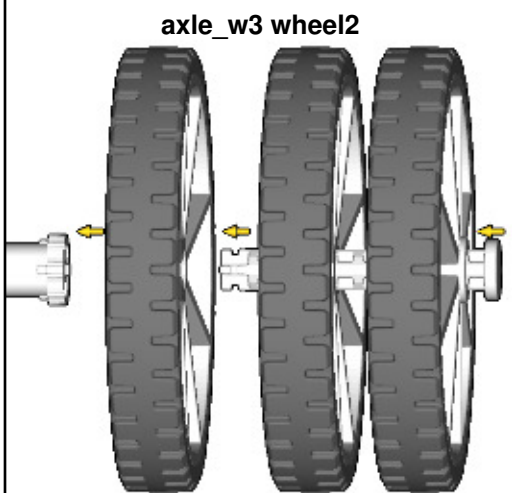




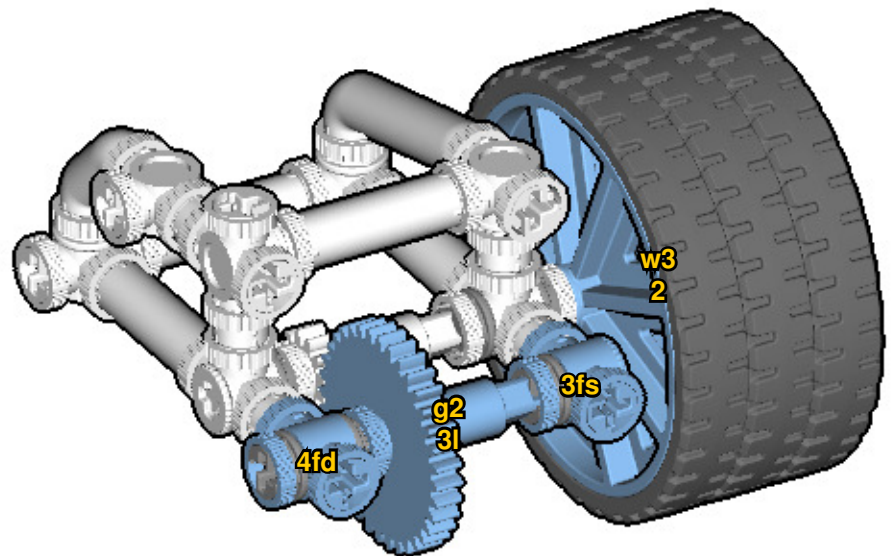
Connect submodel to model.

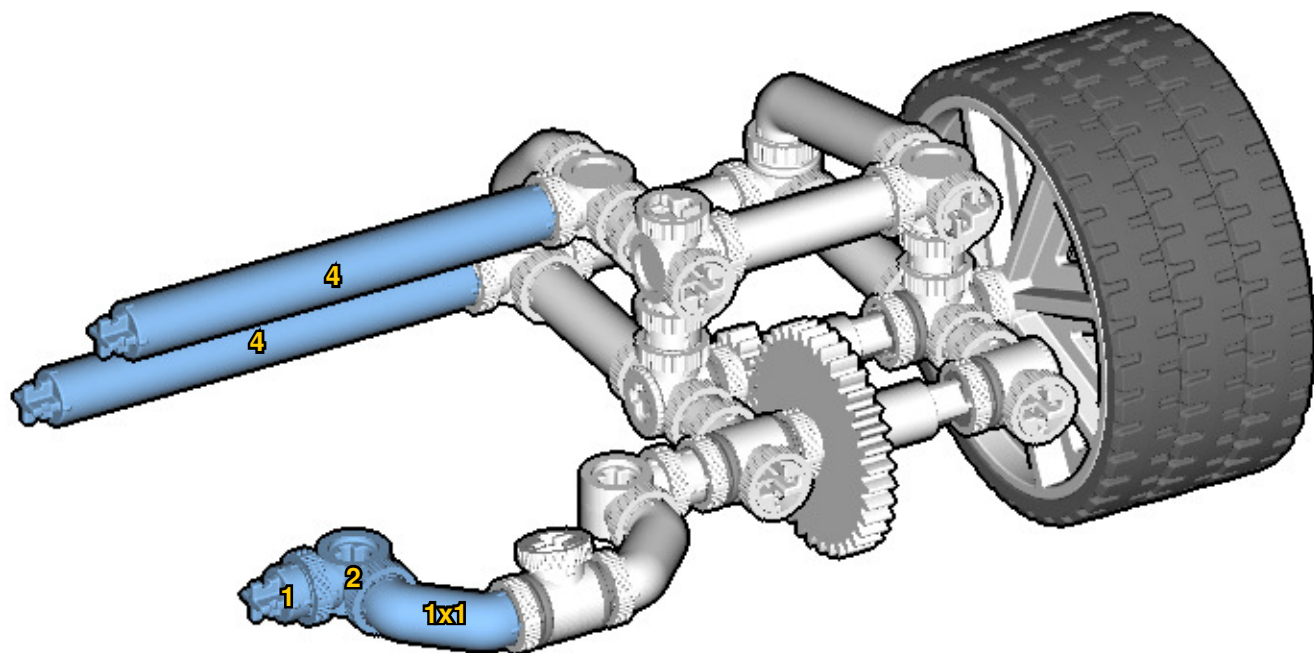
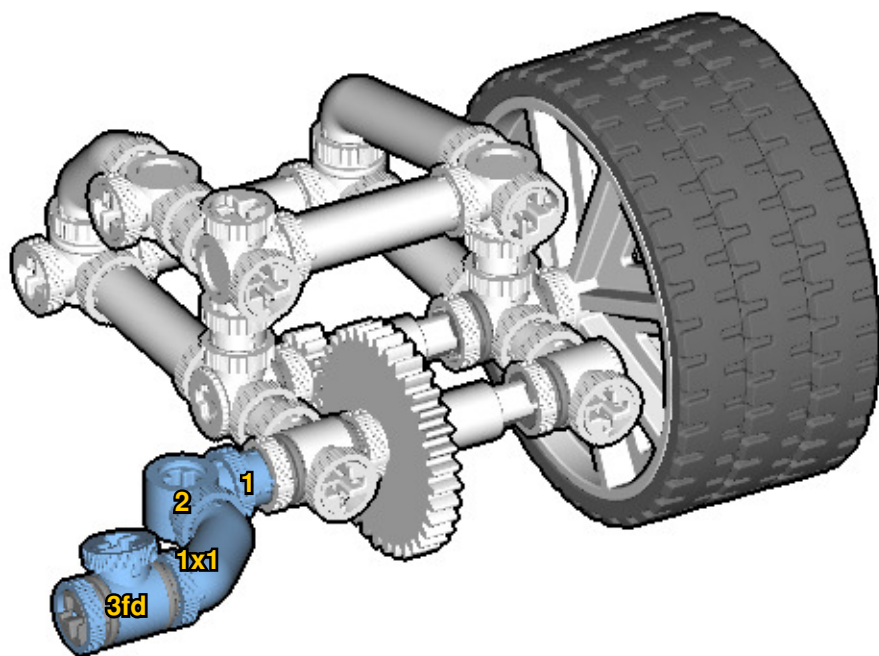


Slide axle_g2 through gear3l and join.
Make hub face joint.



Slide axle_w3 through three wheel2s
and join. Make hubs face joint.

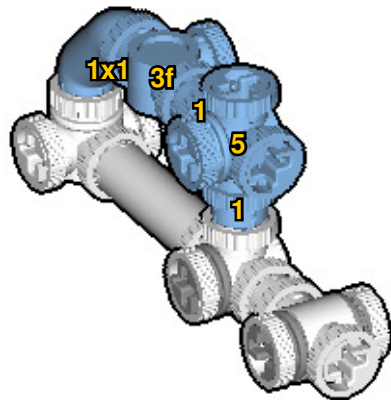




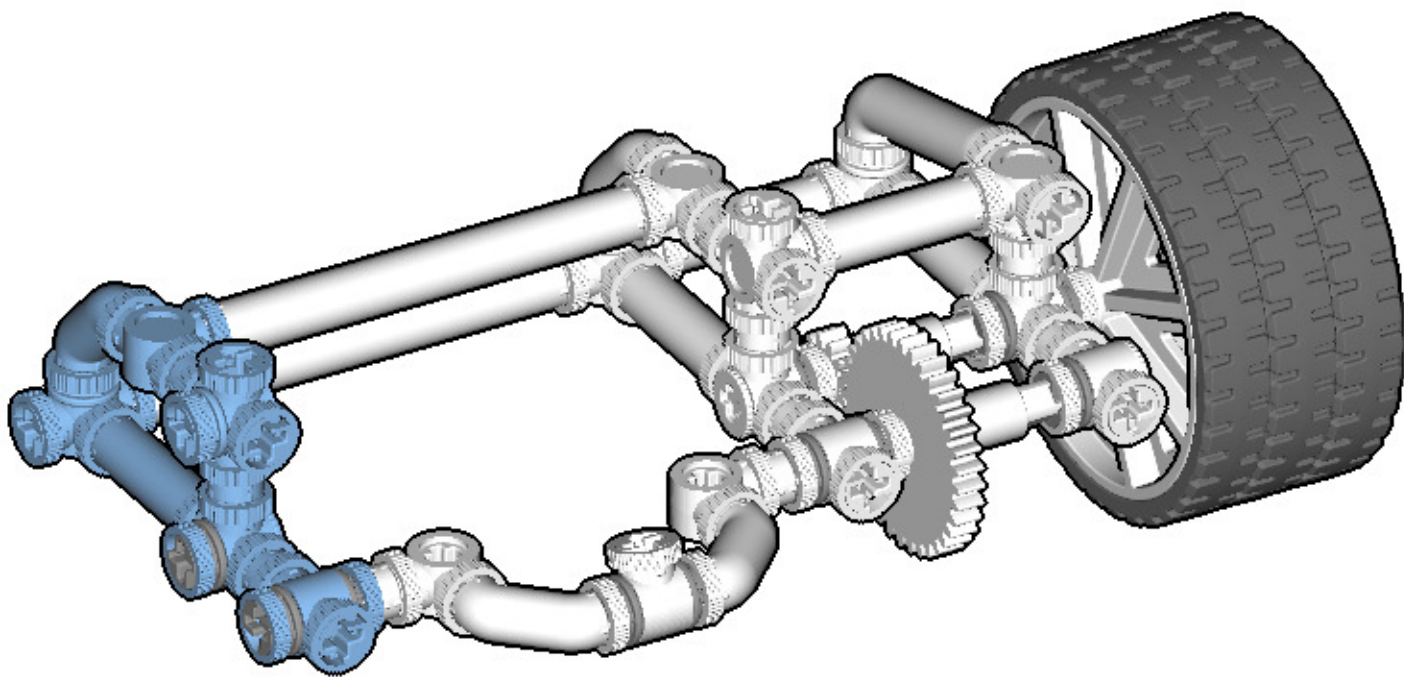
9

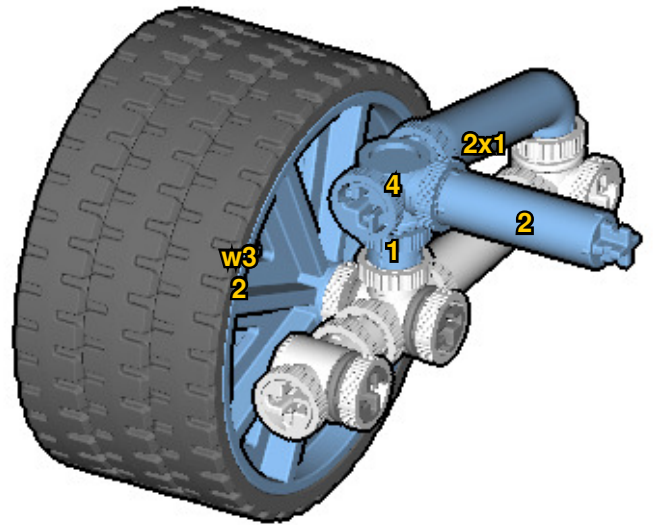
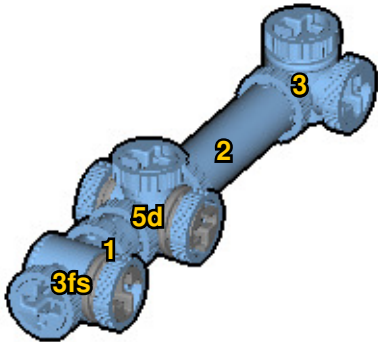
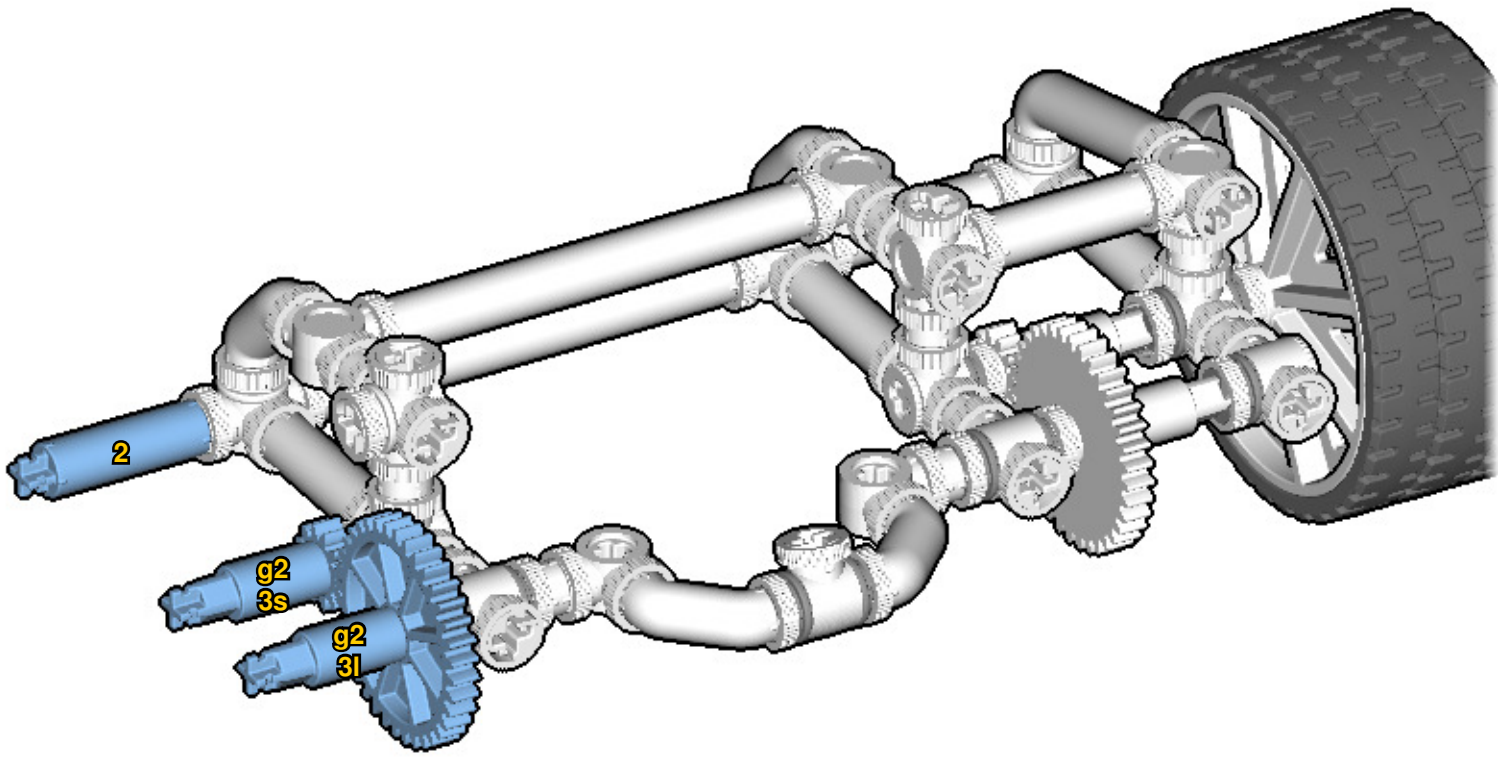


10

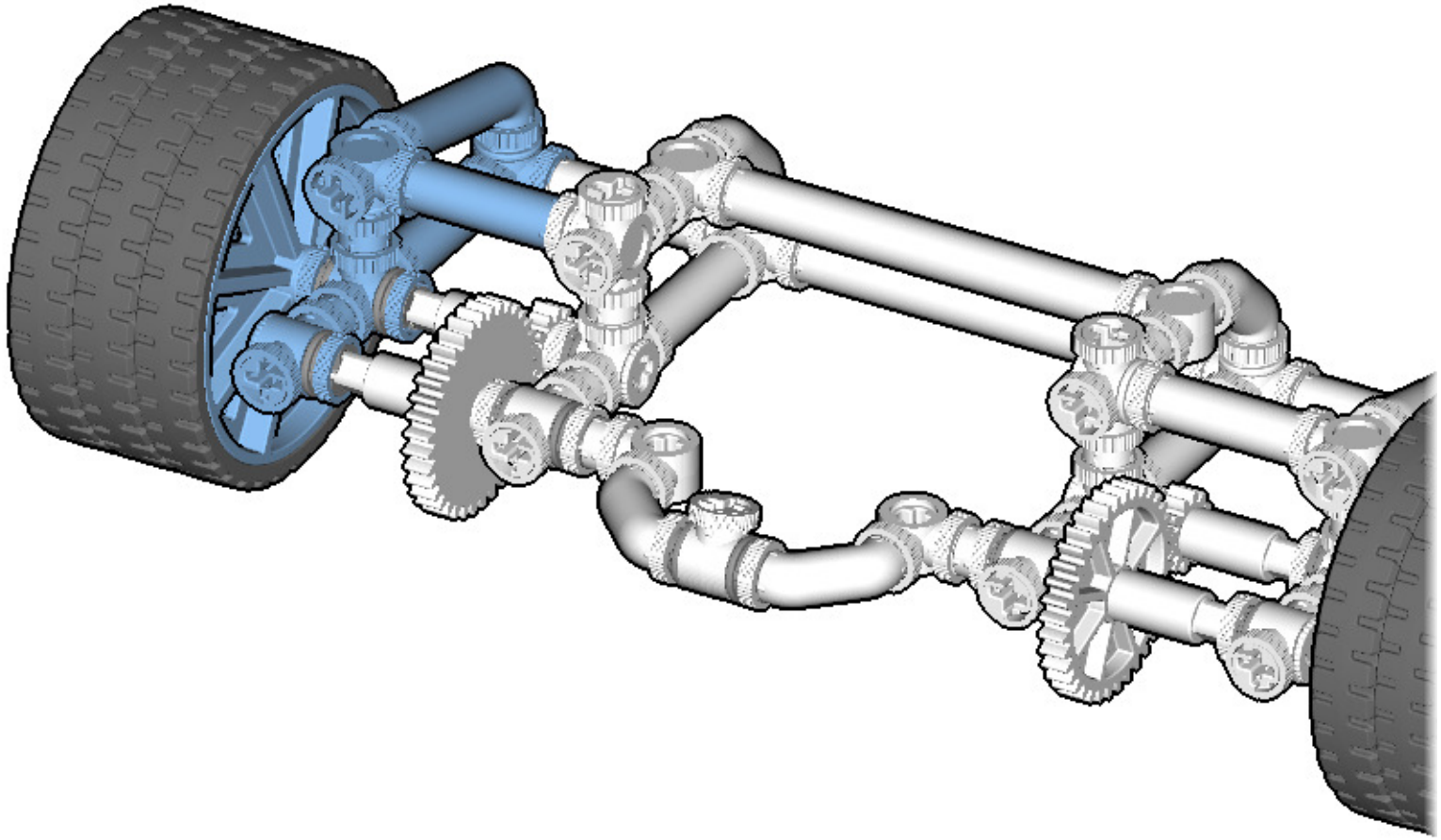


11

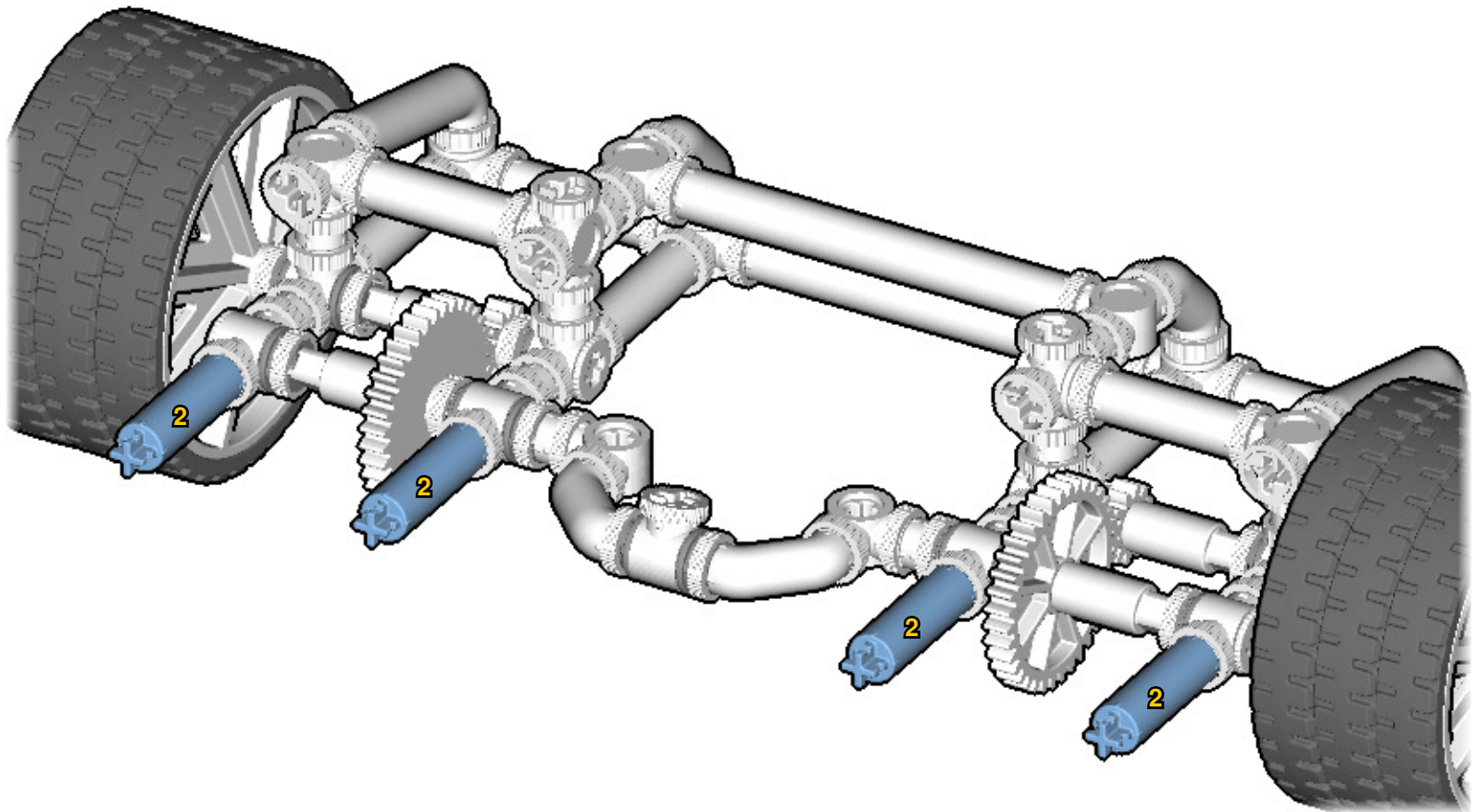


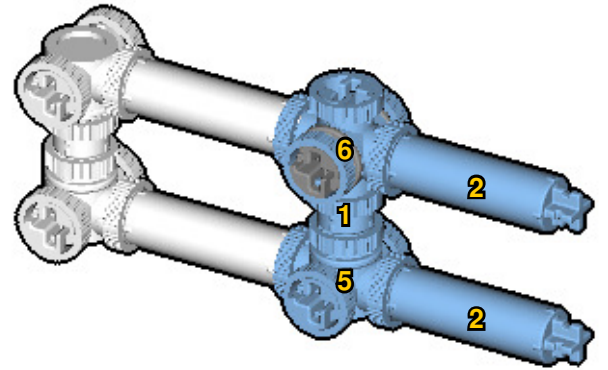
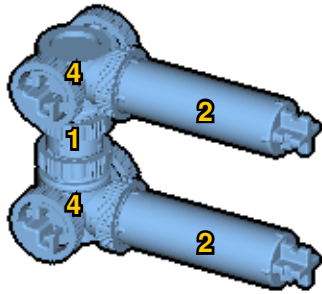
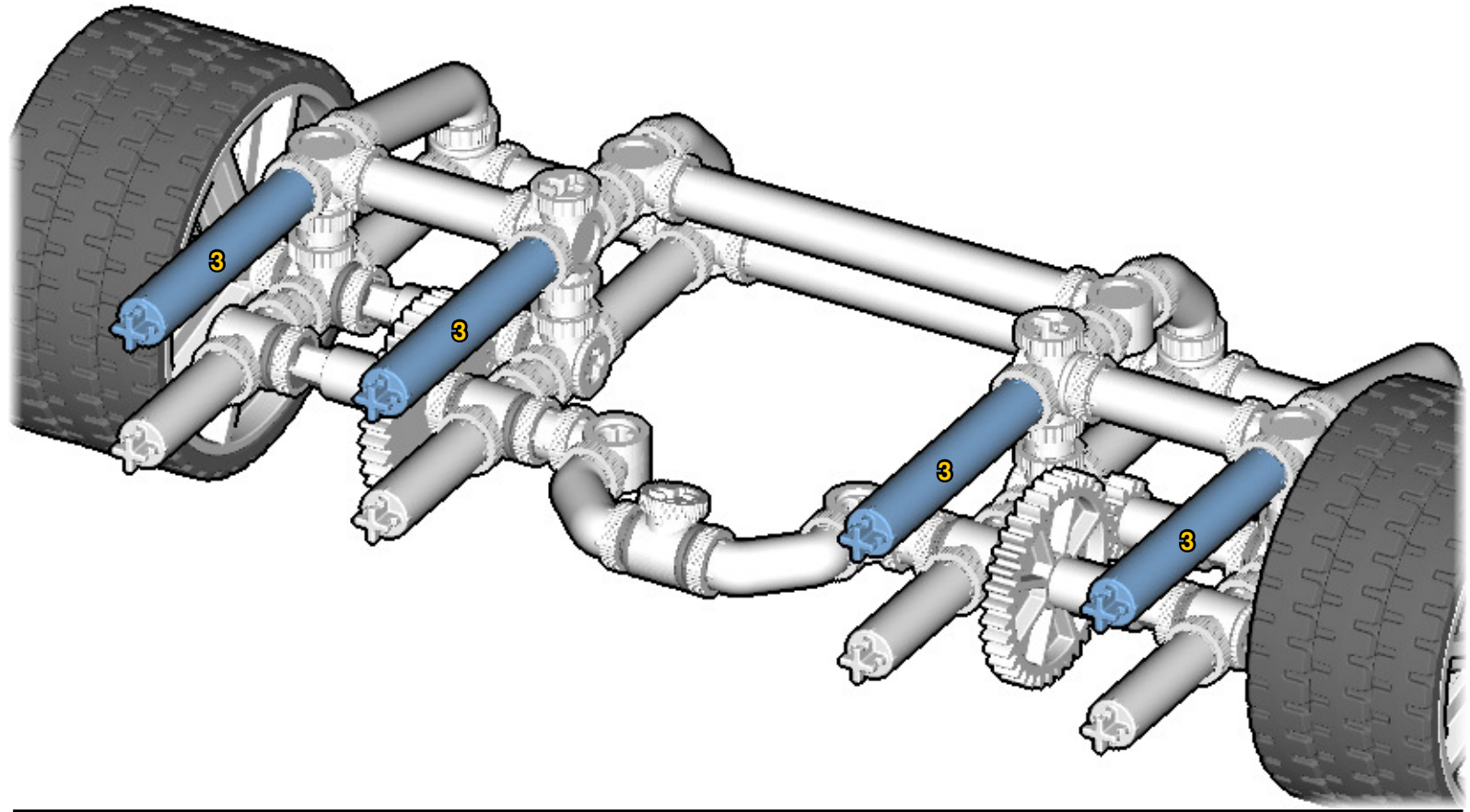


15

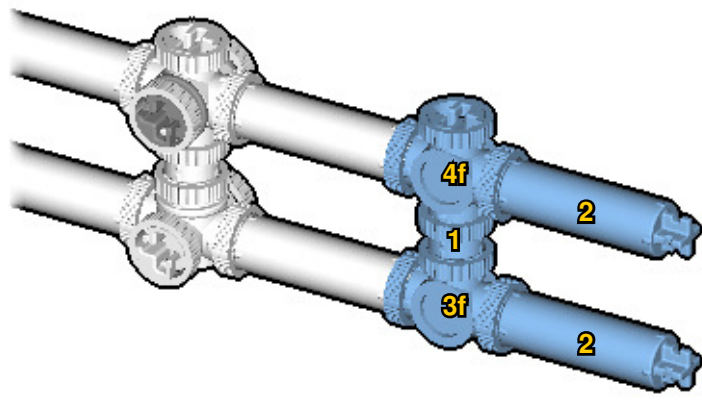


16

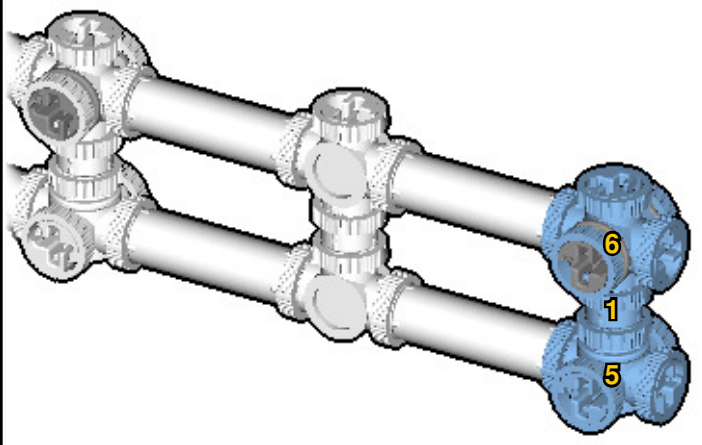




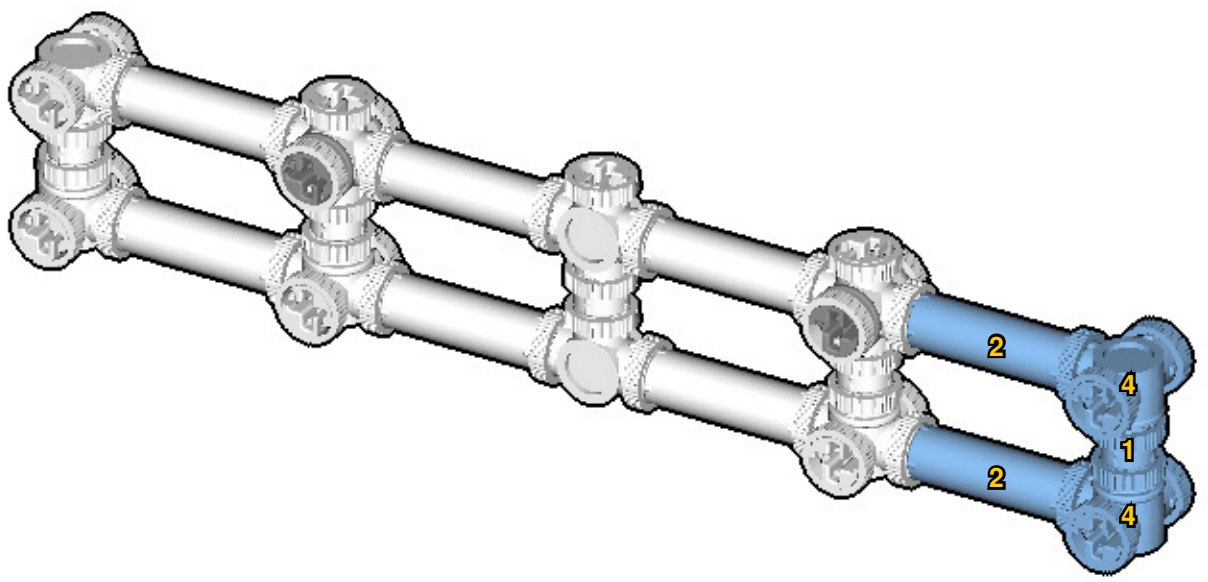
20

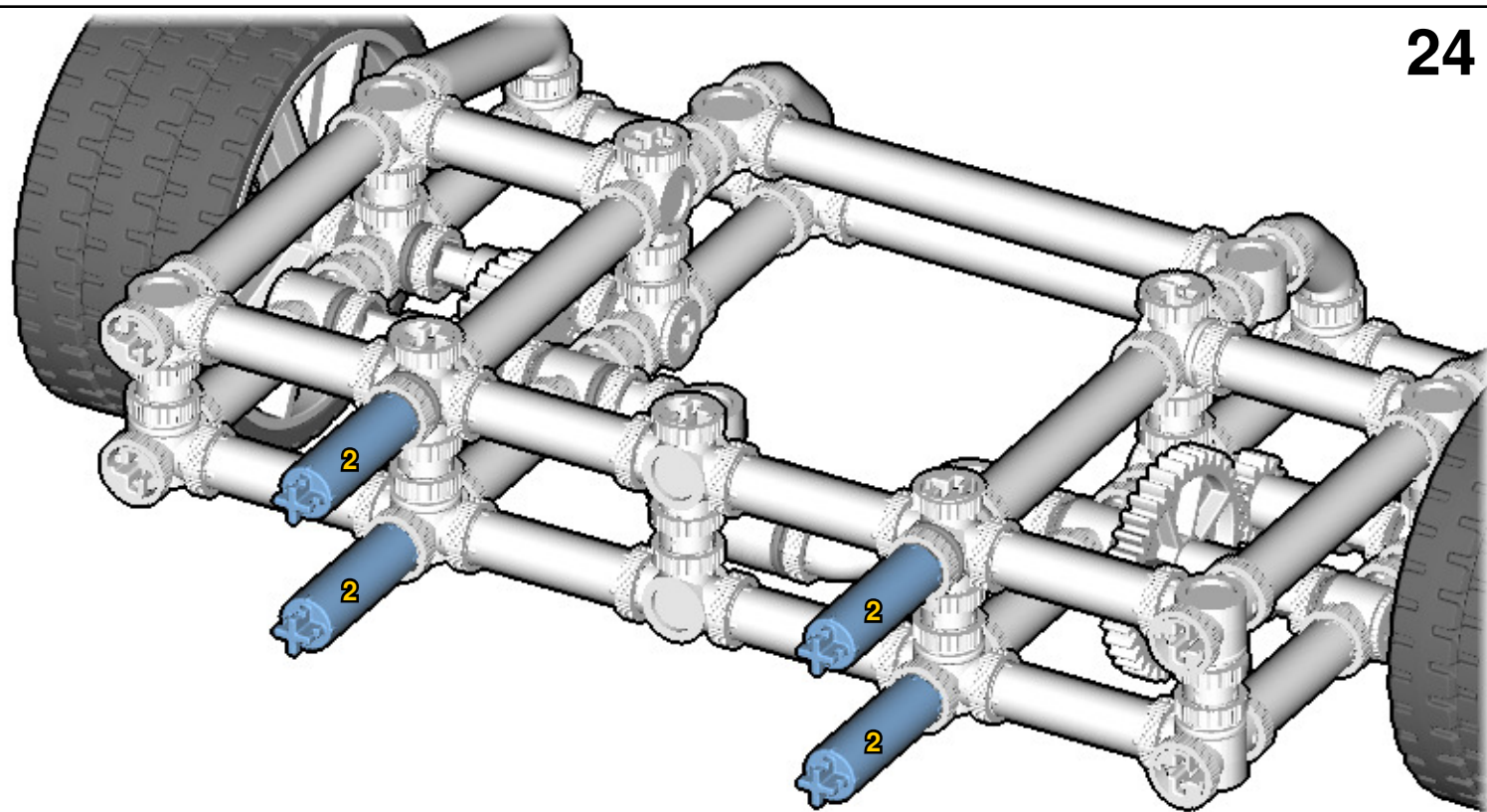
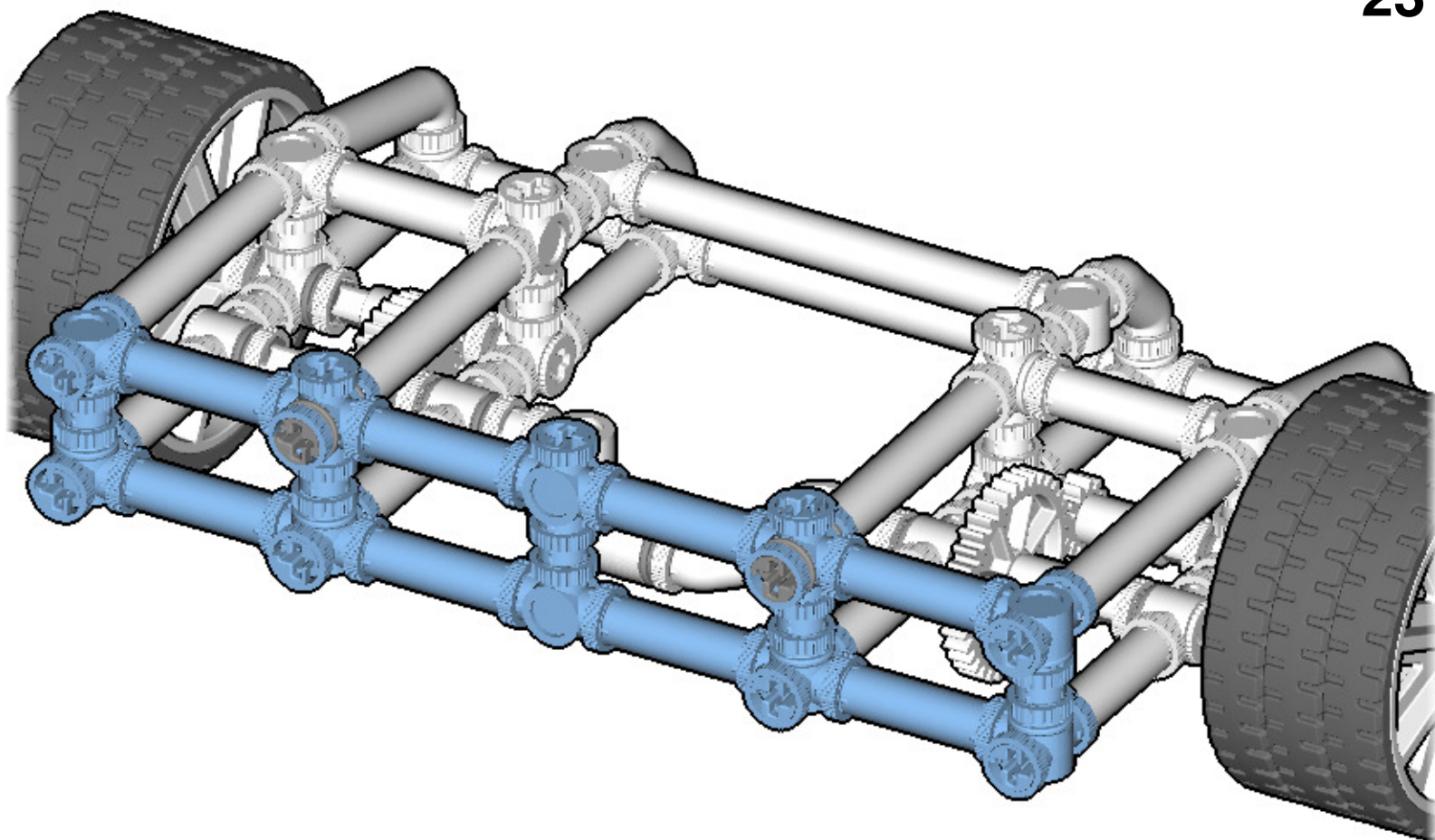


21

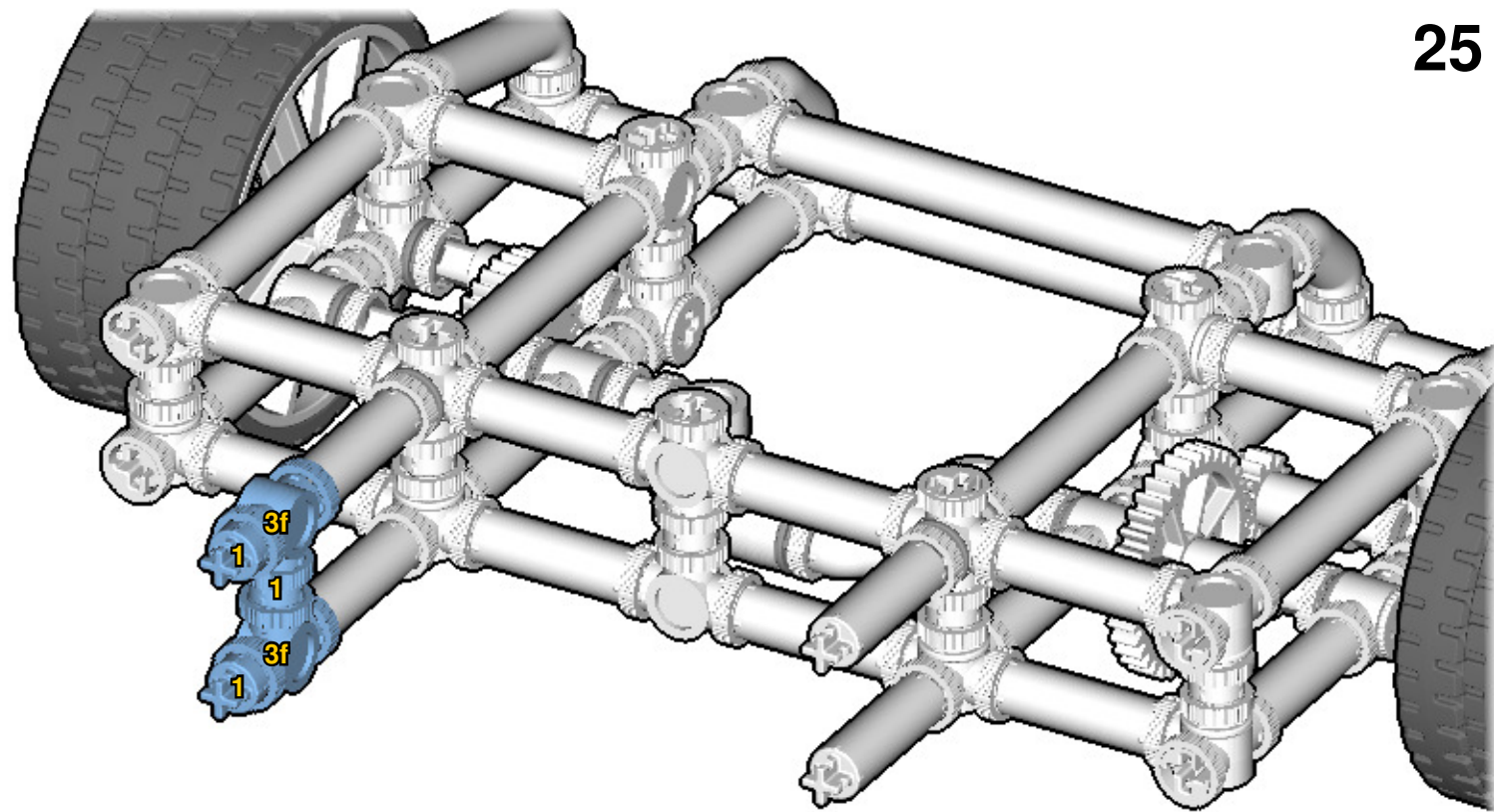


22

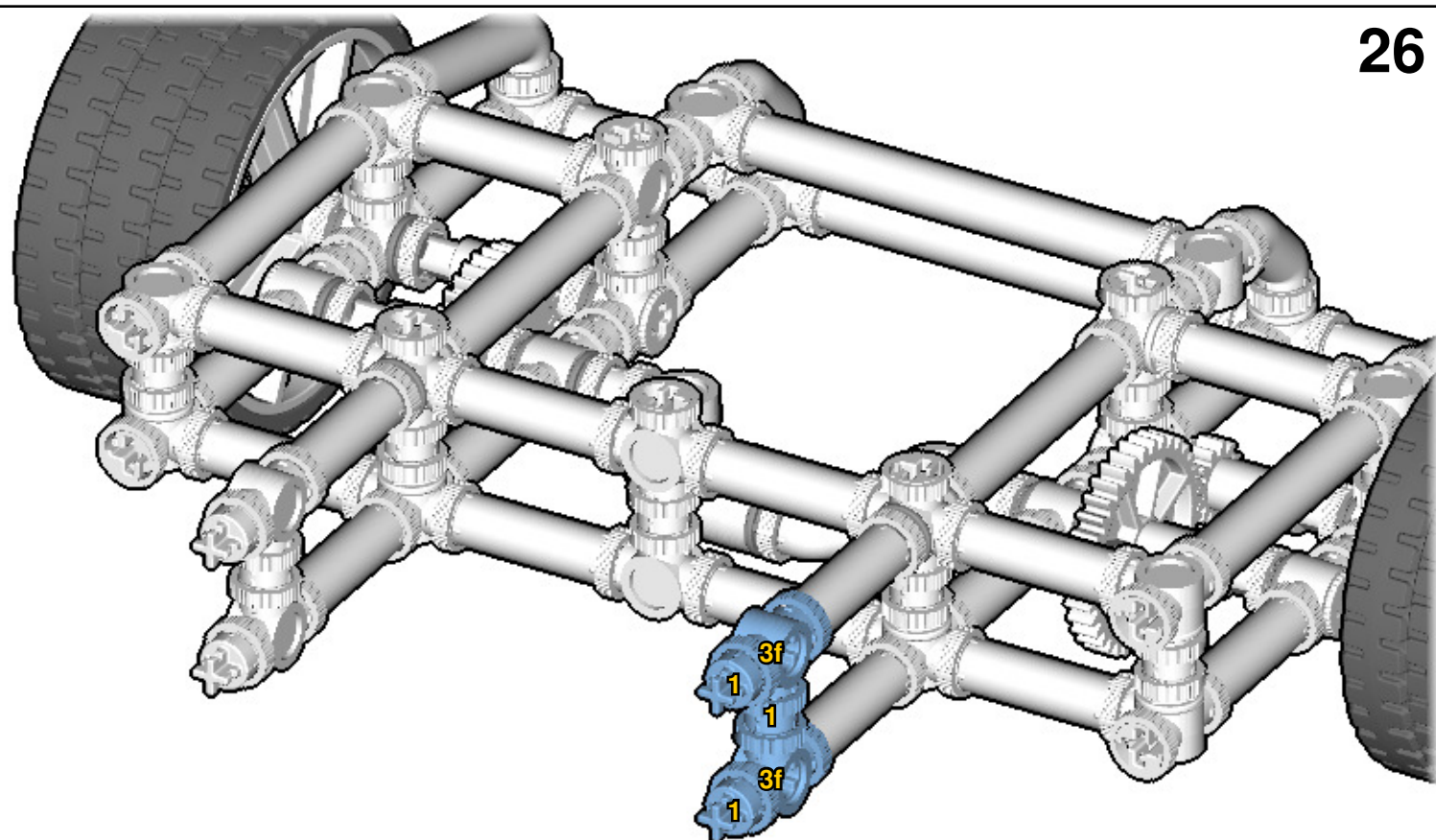


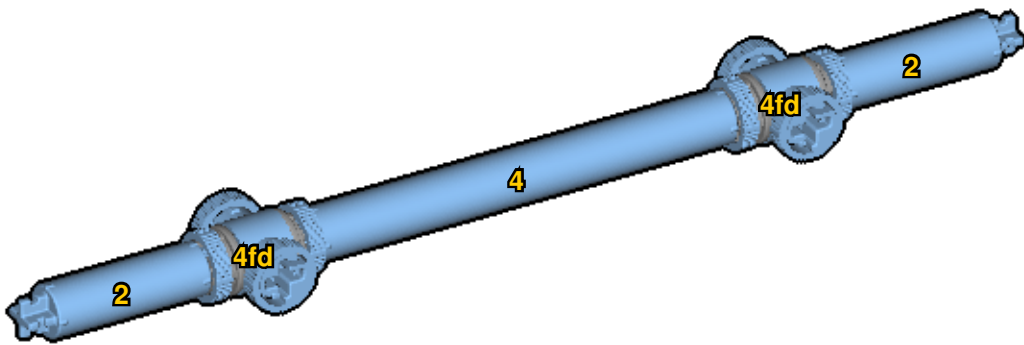
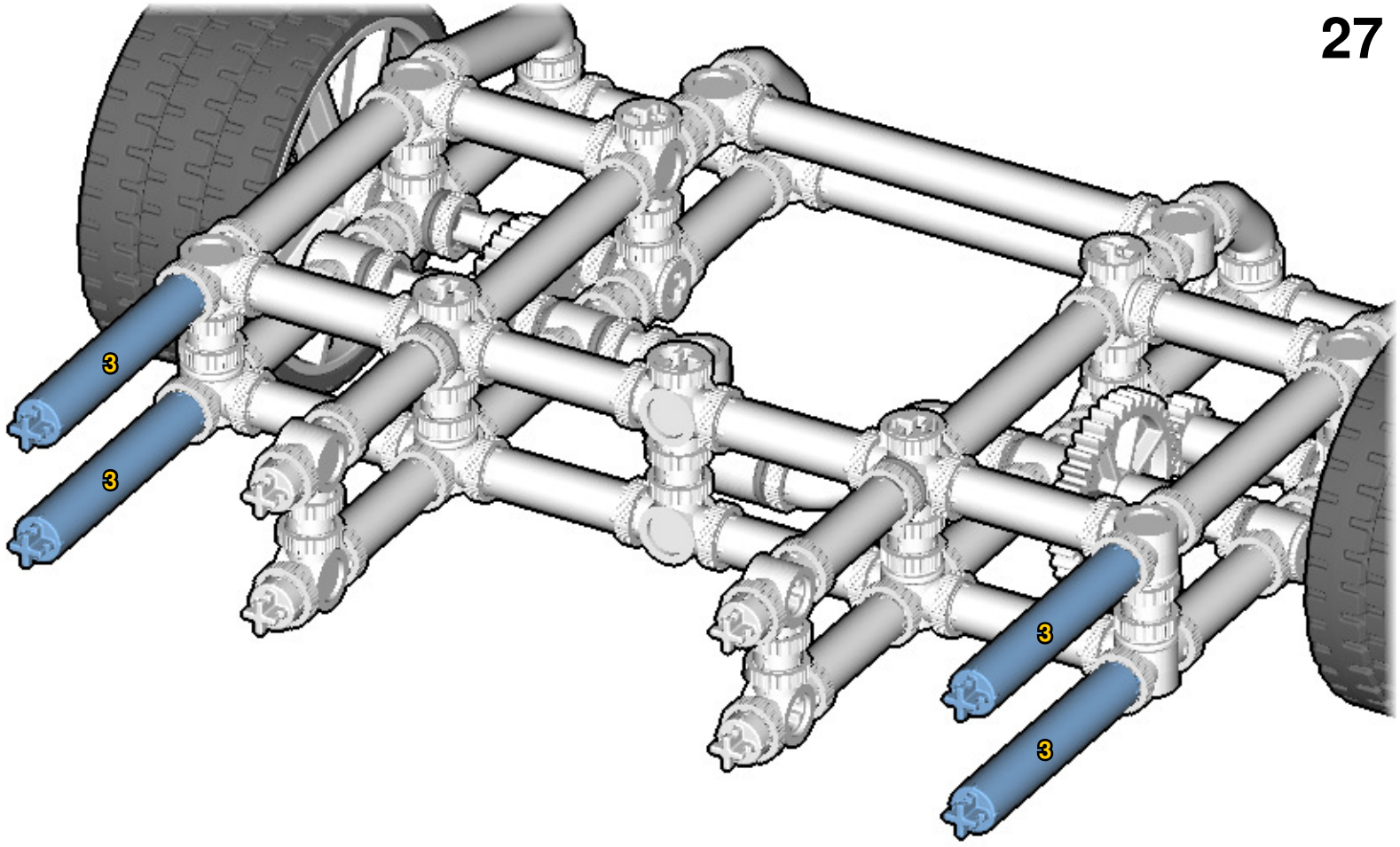


25

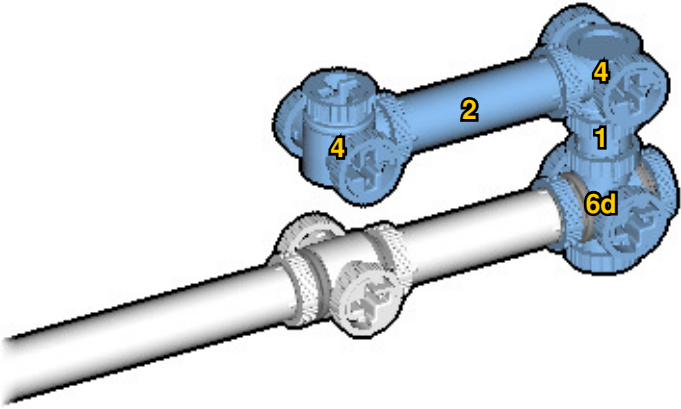


26

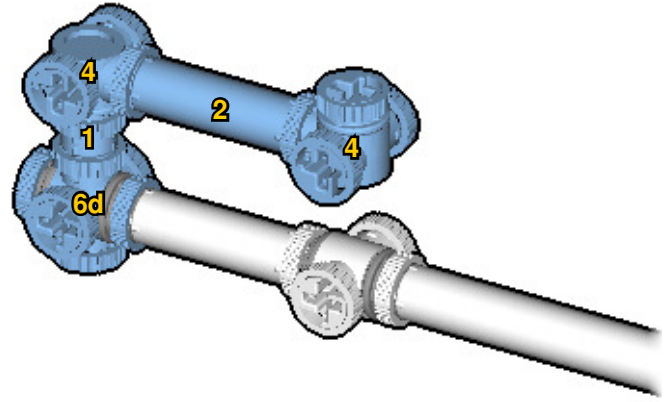




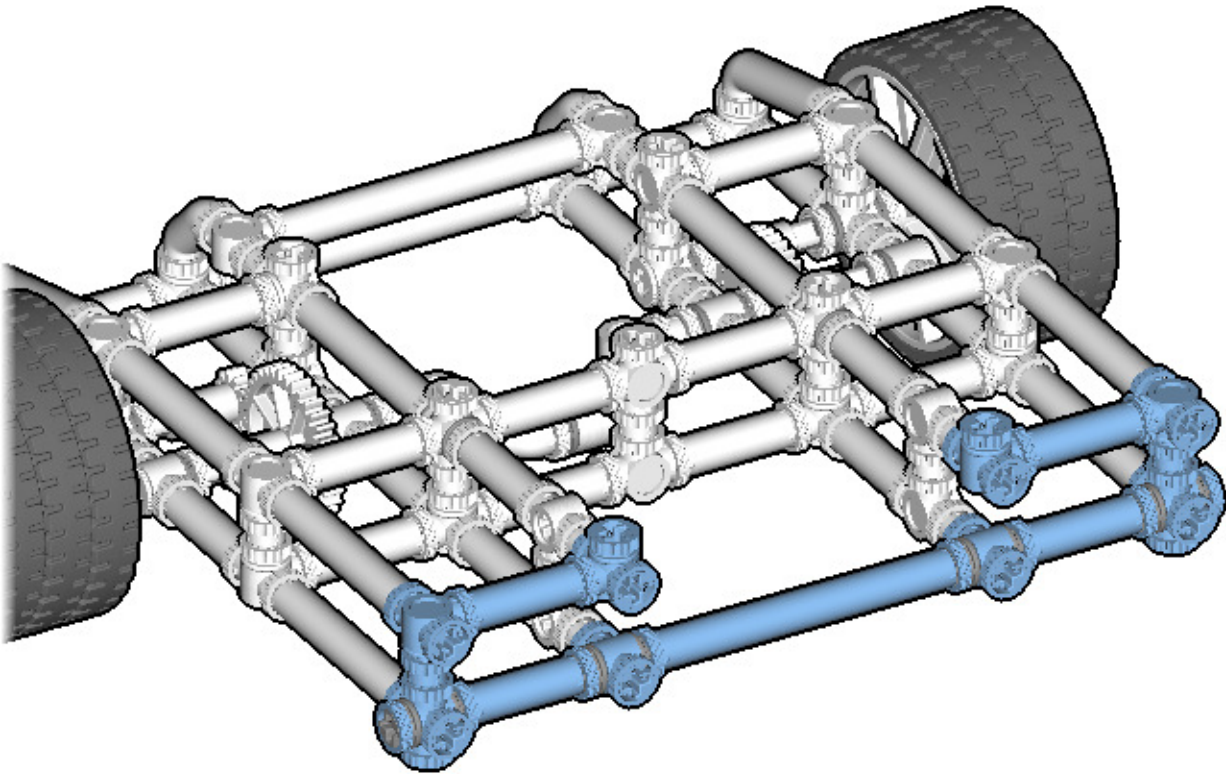
29

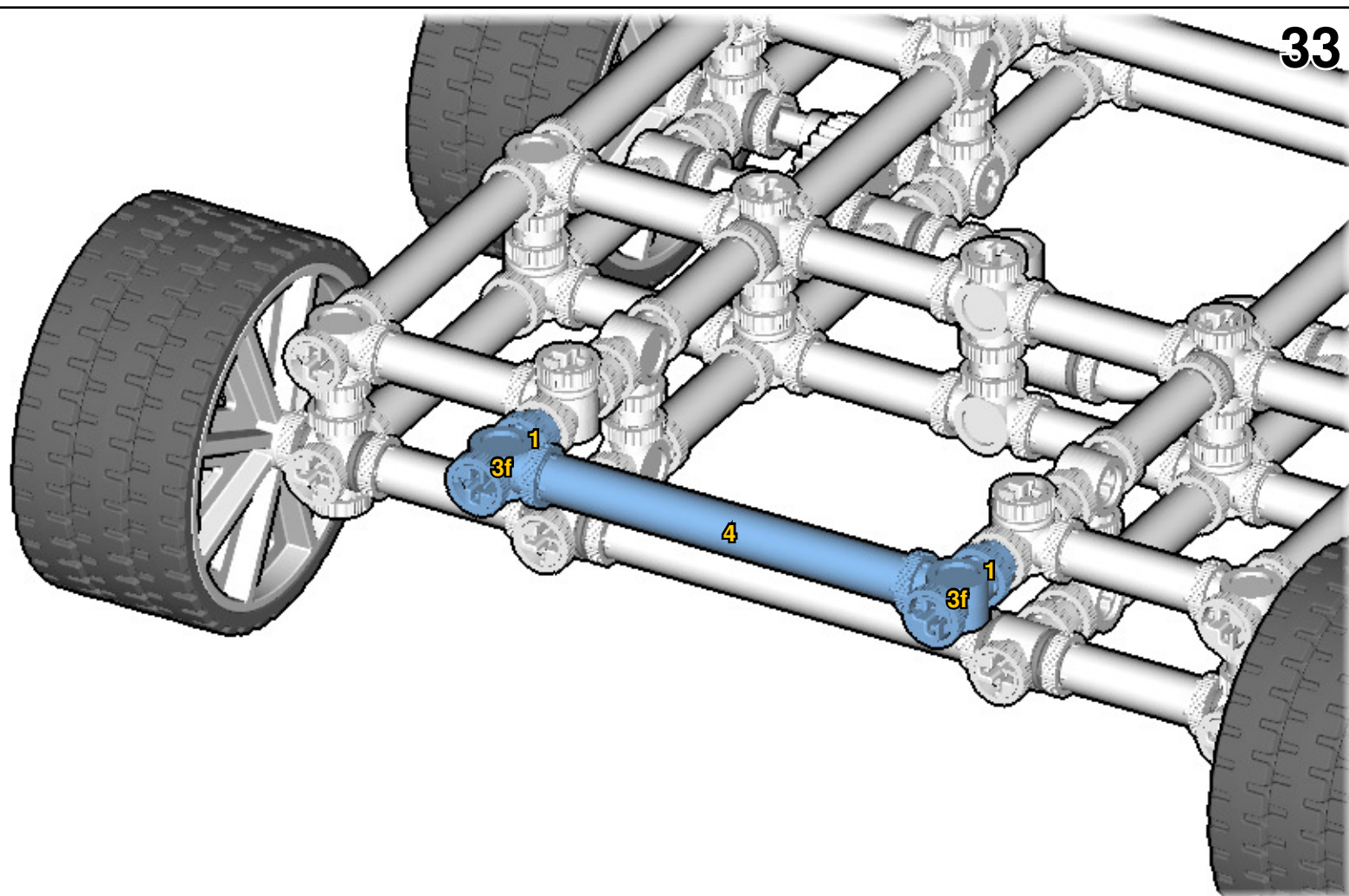
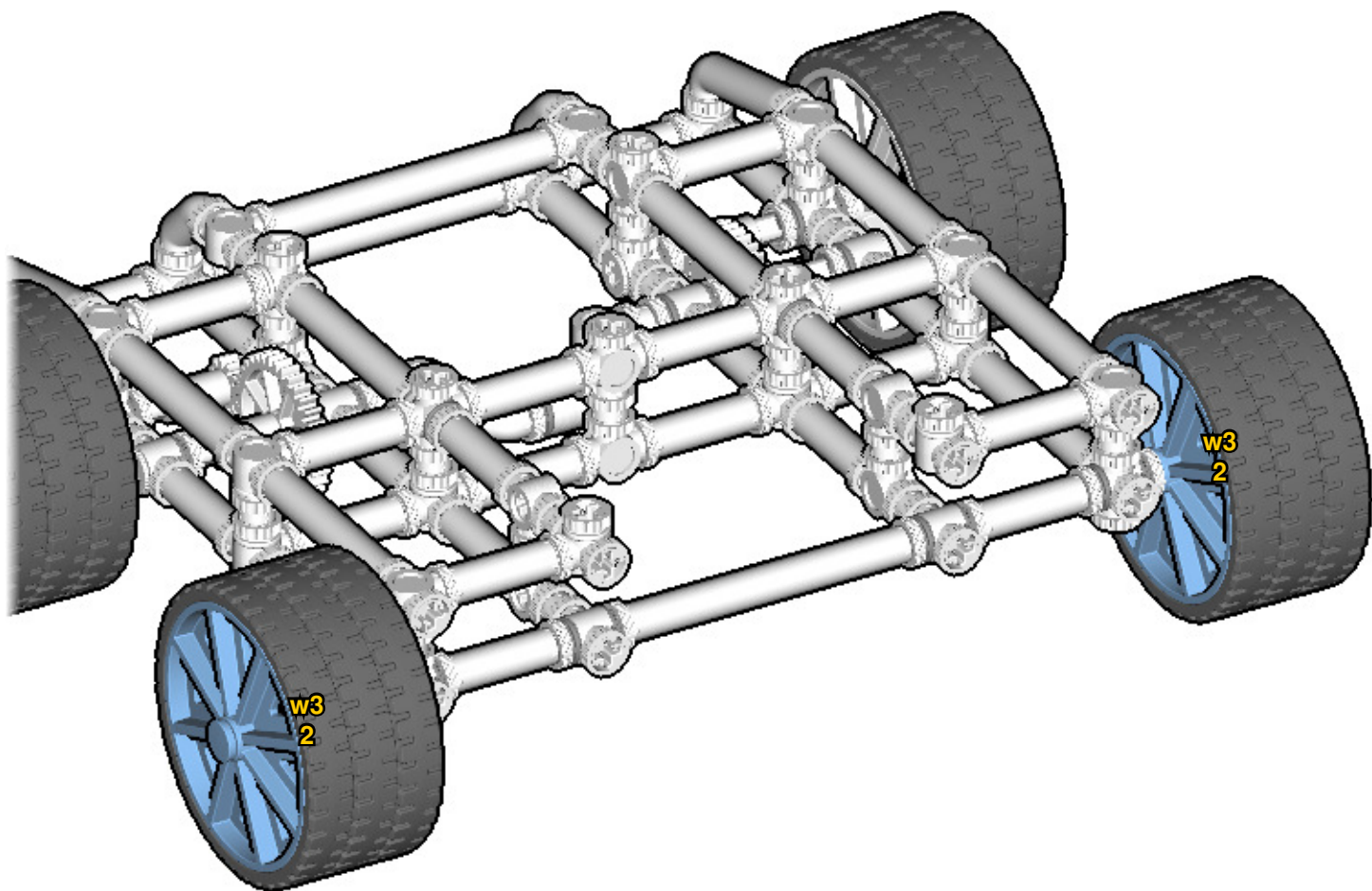


30

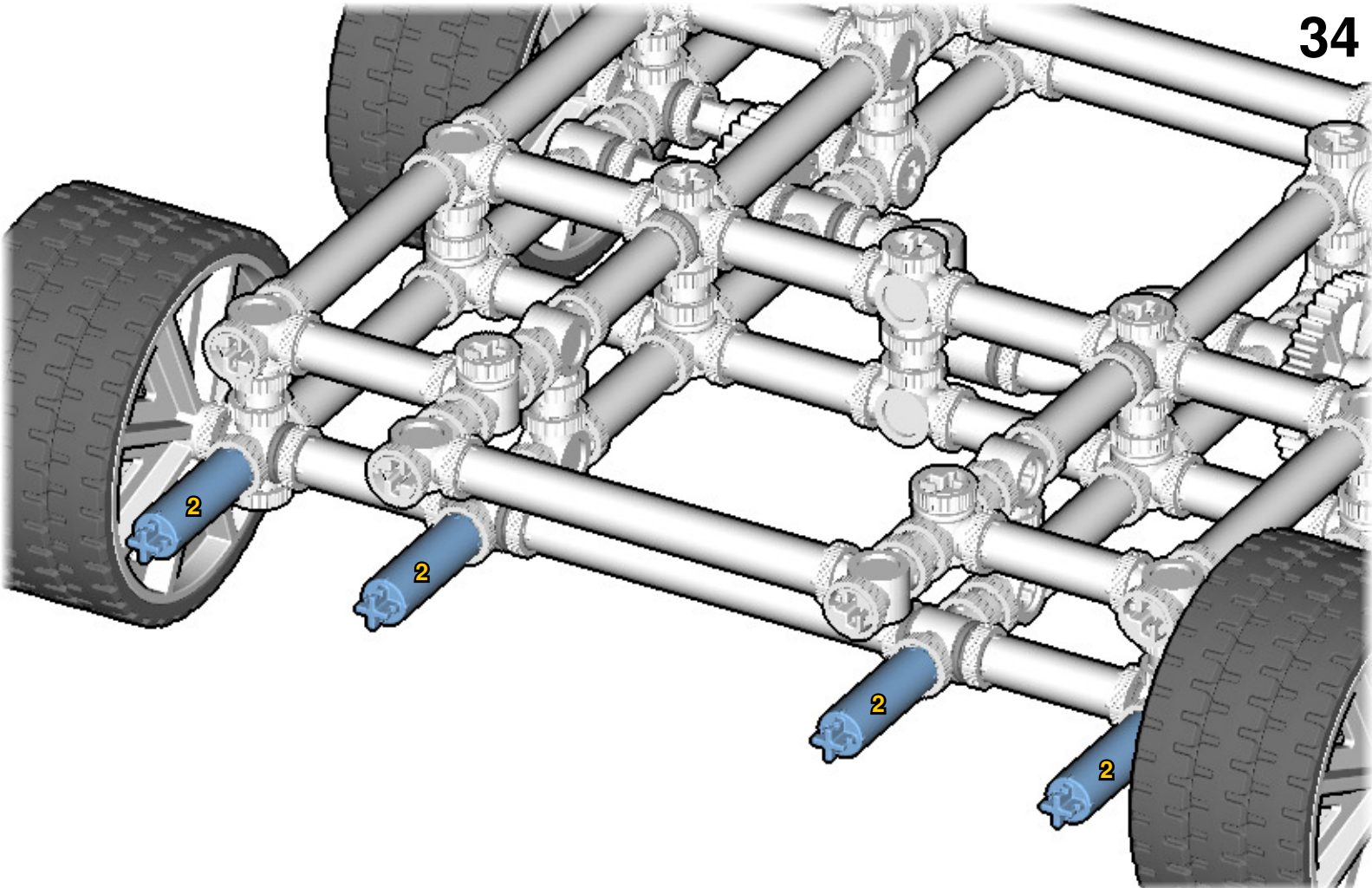


31

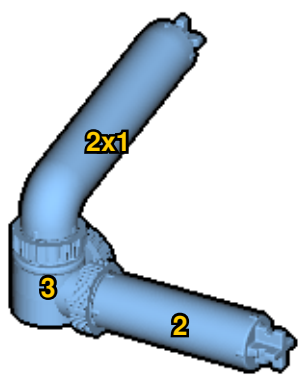




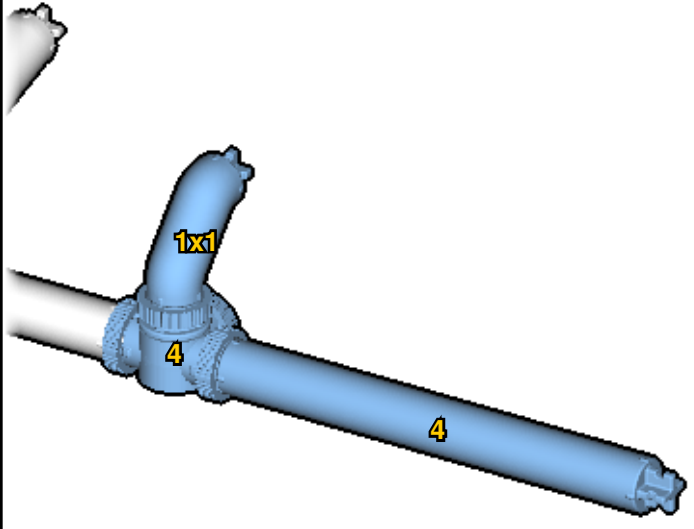
34

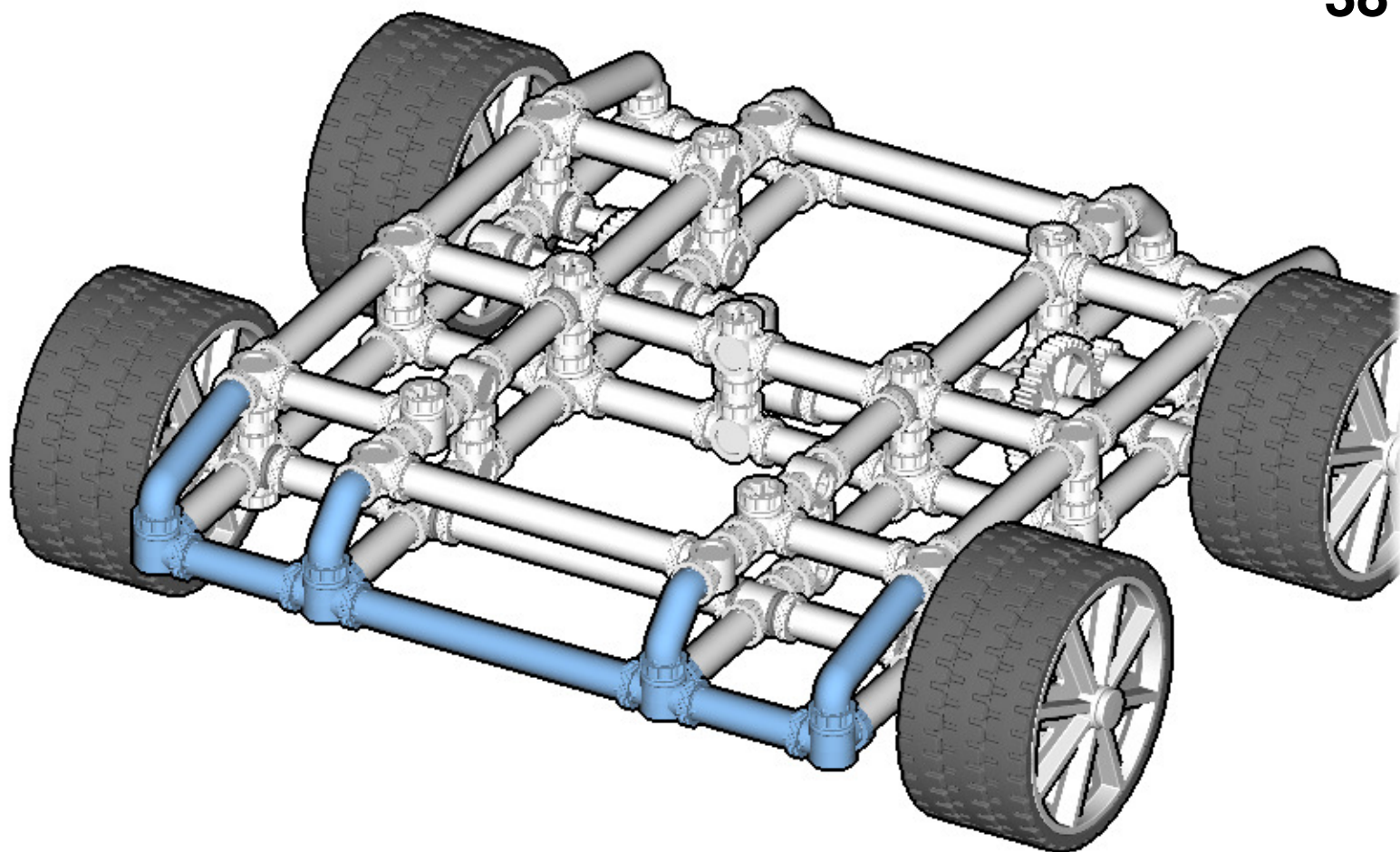
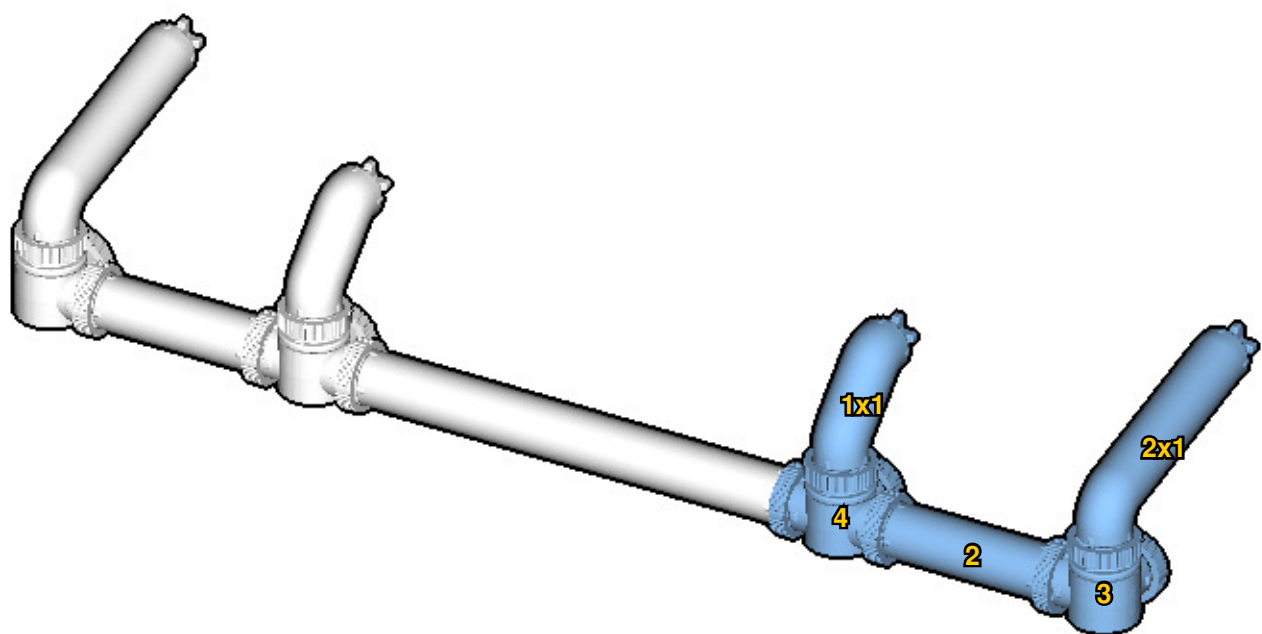


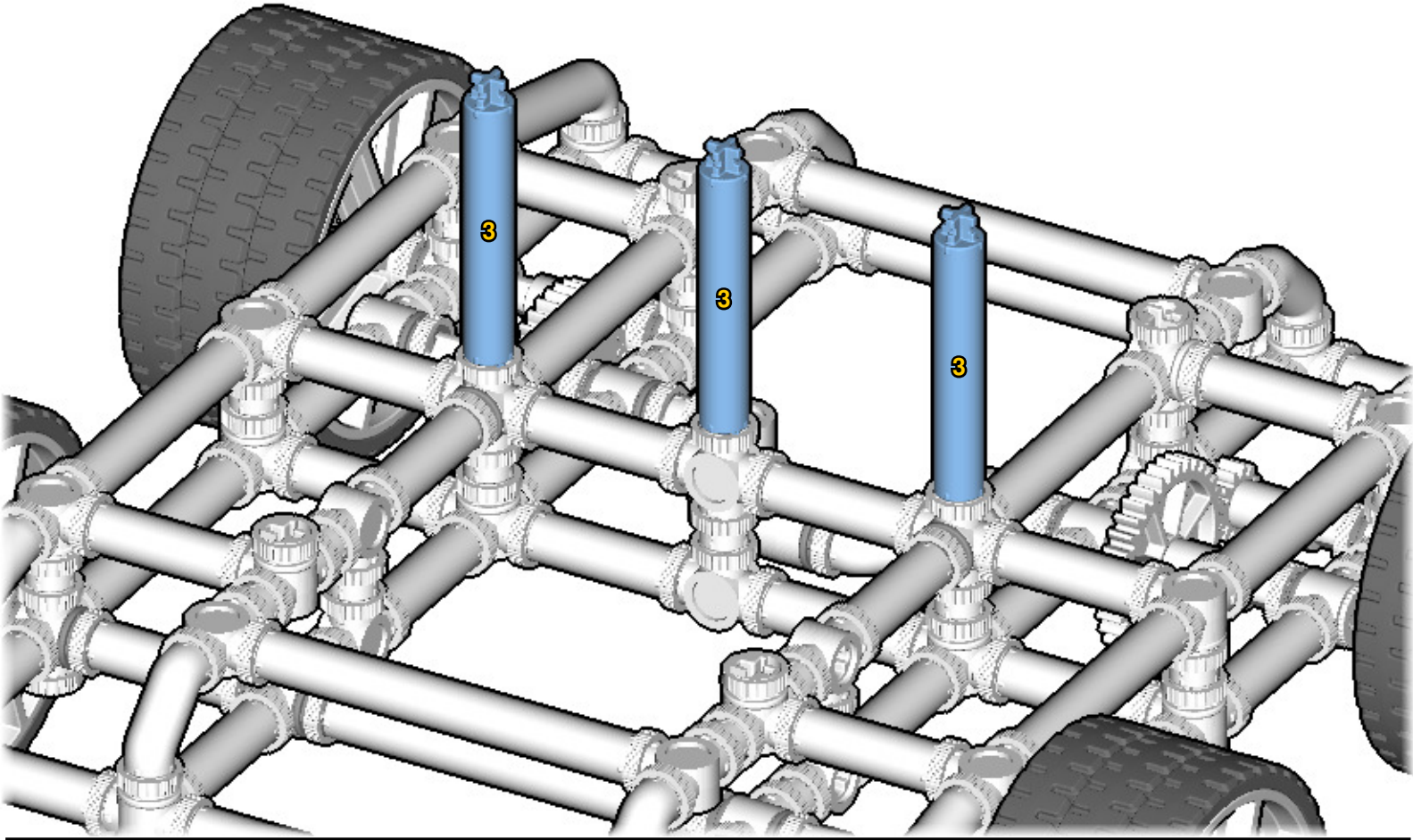
35



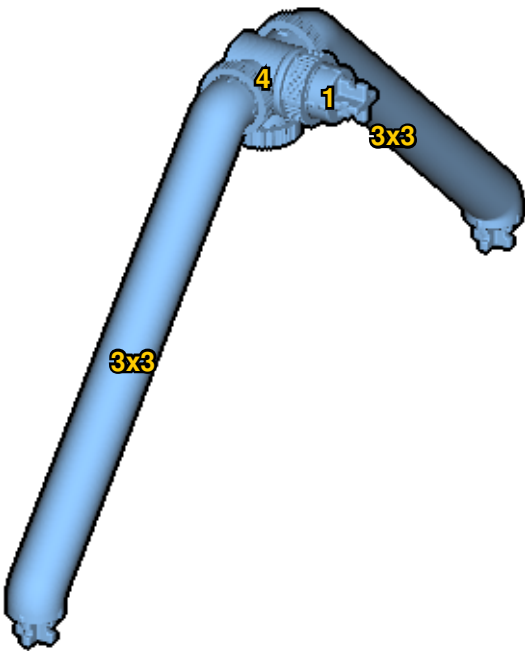
36



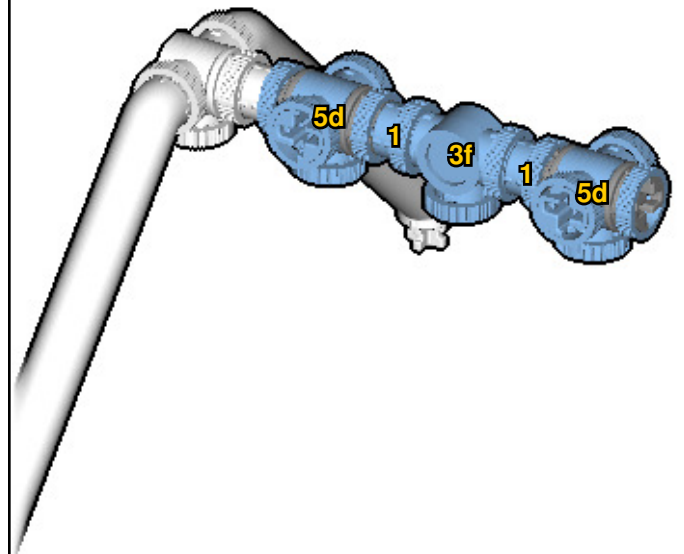




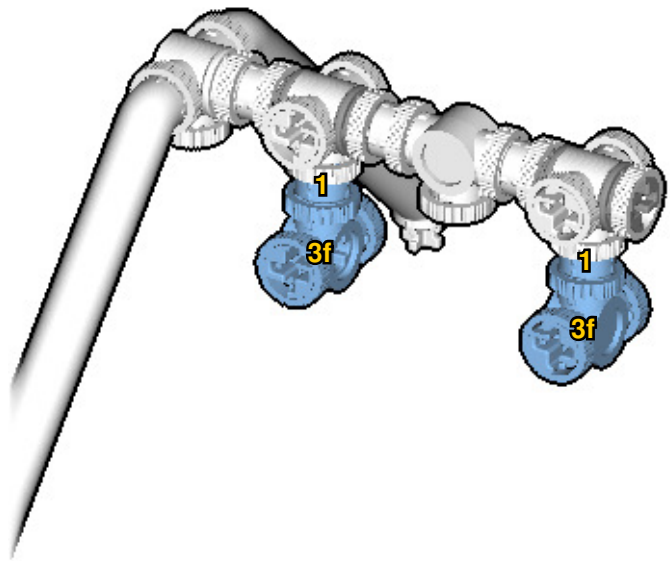
40



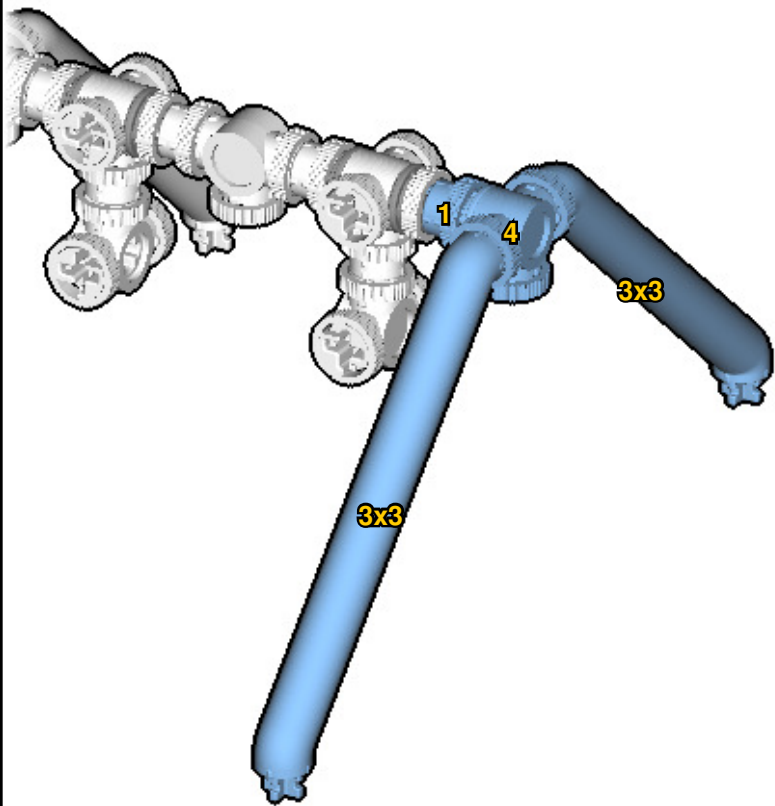
41



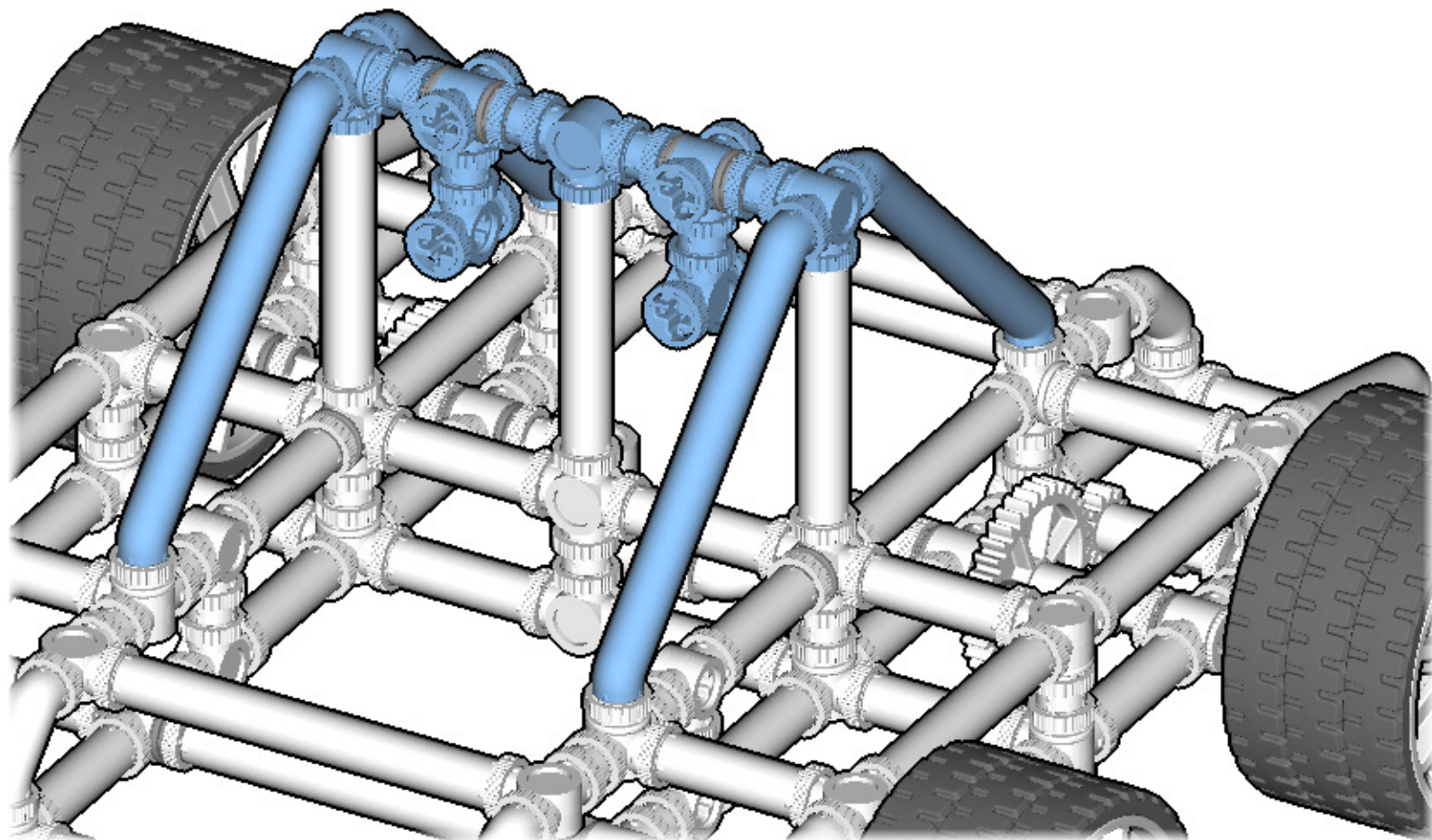
42

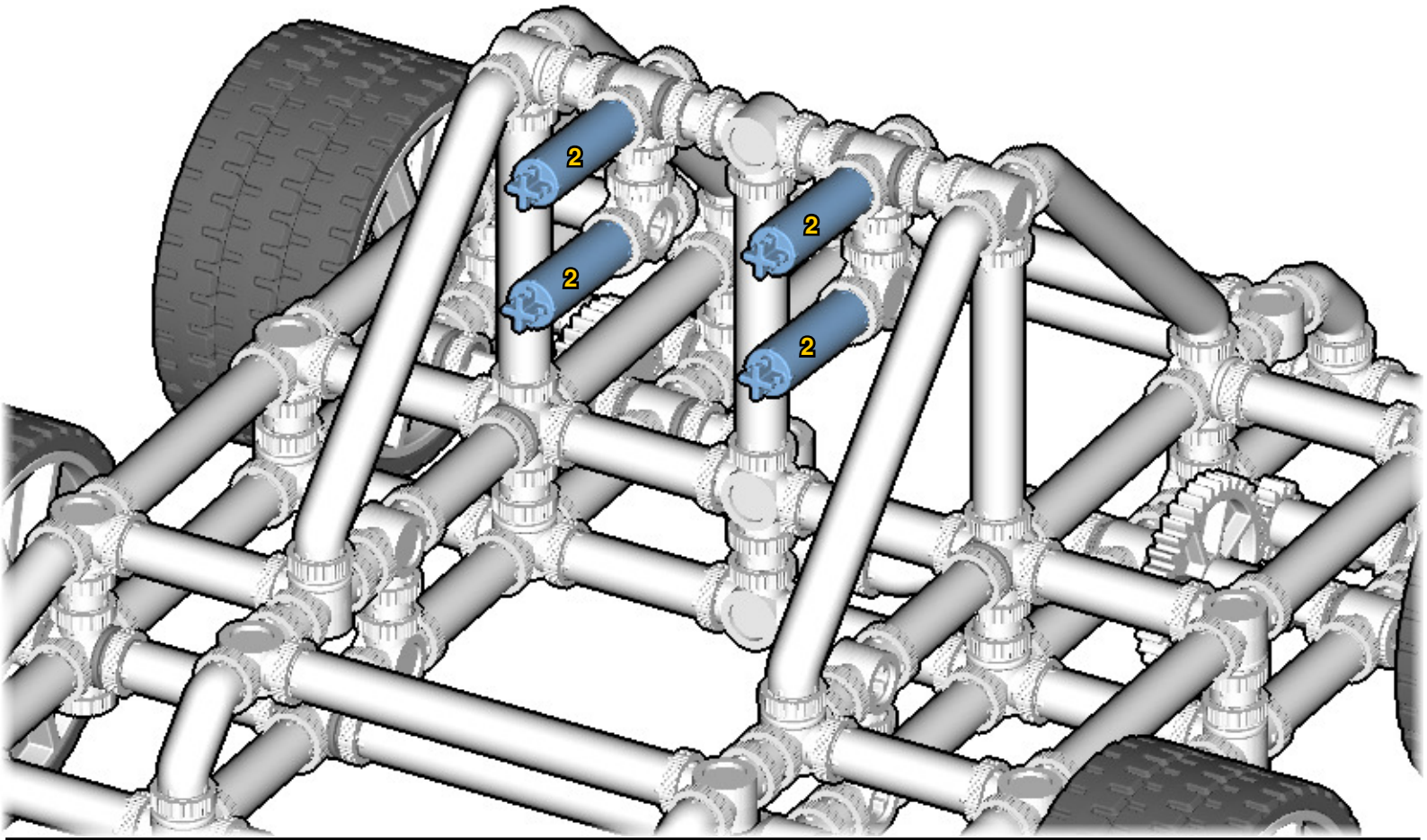


43

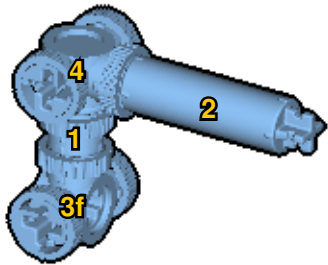


44

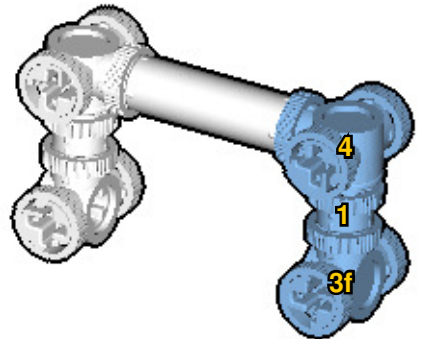


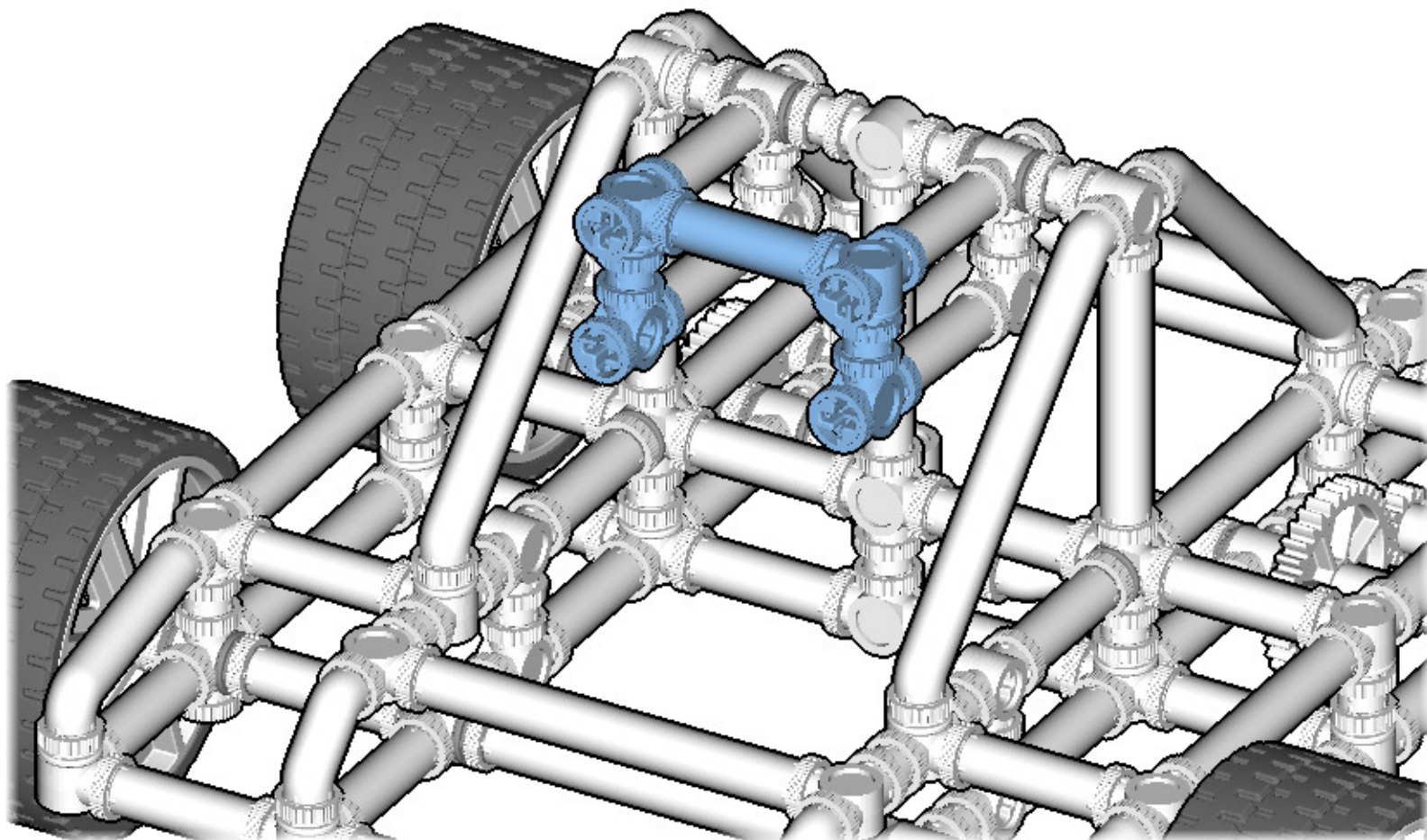


46

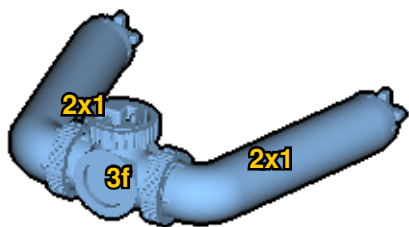


47

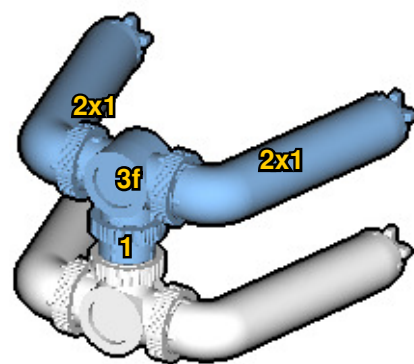


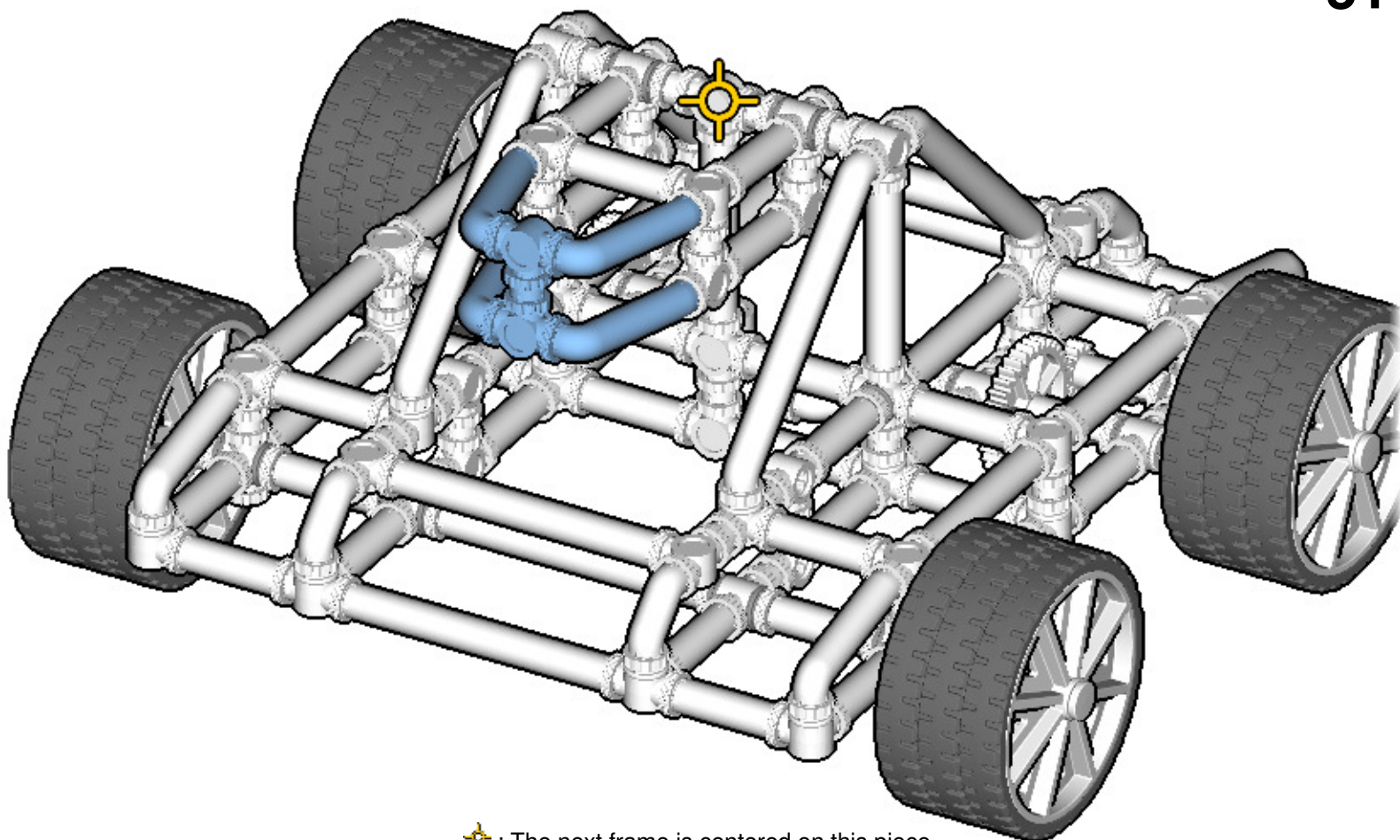


49

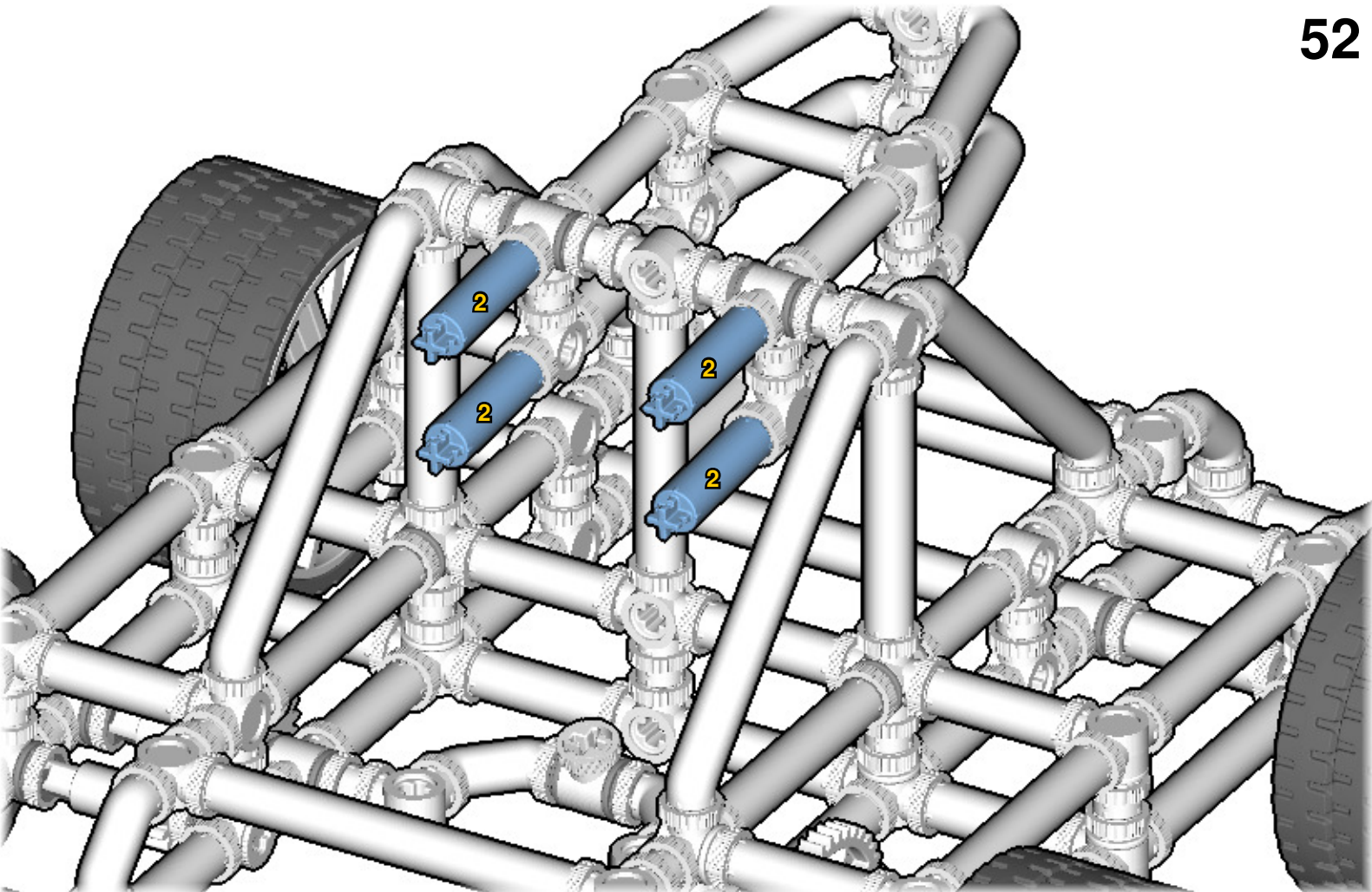


50





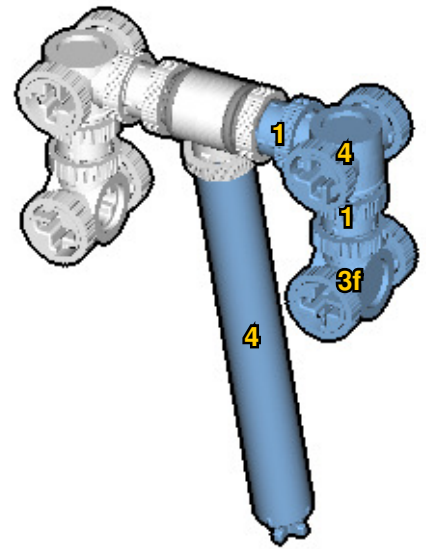
✚ : The next frame is centered on this piece.



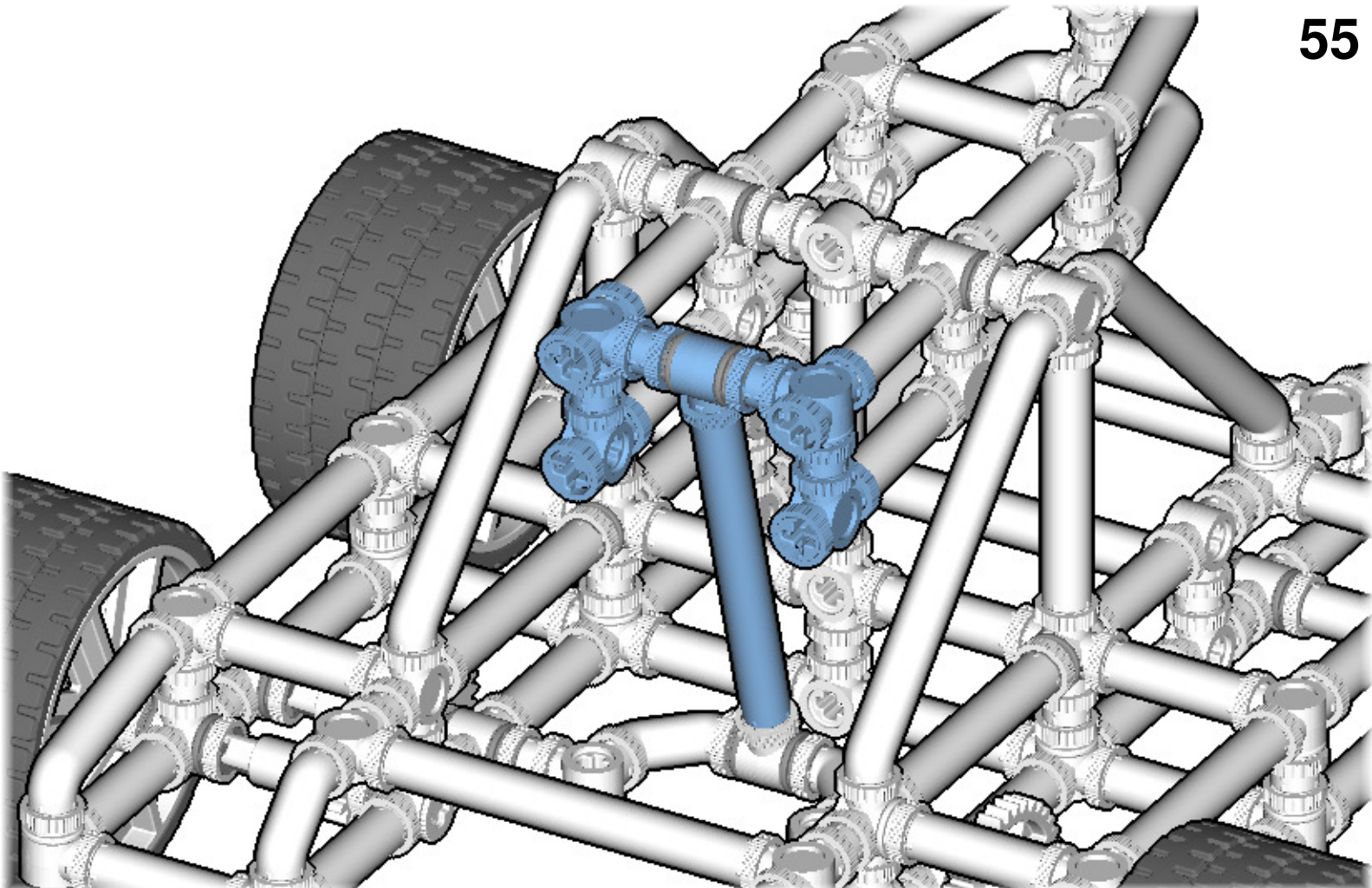
53



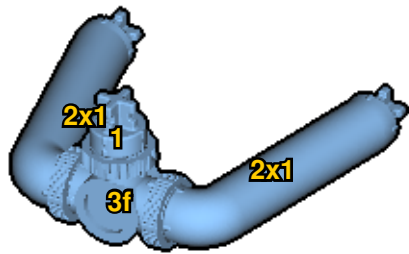
54



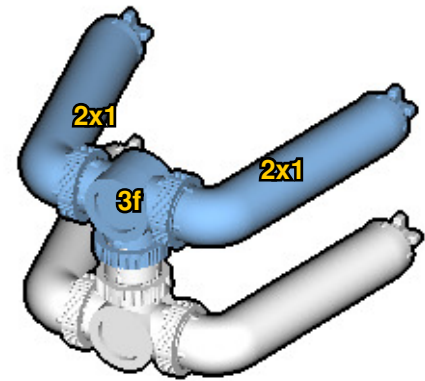
55



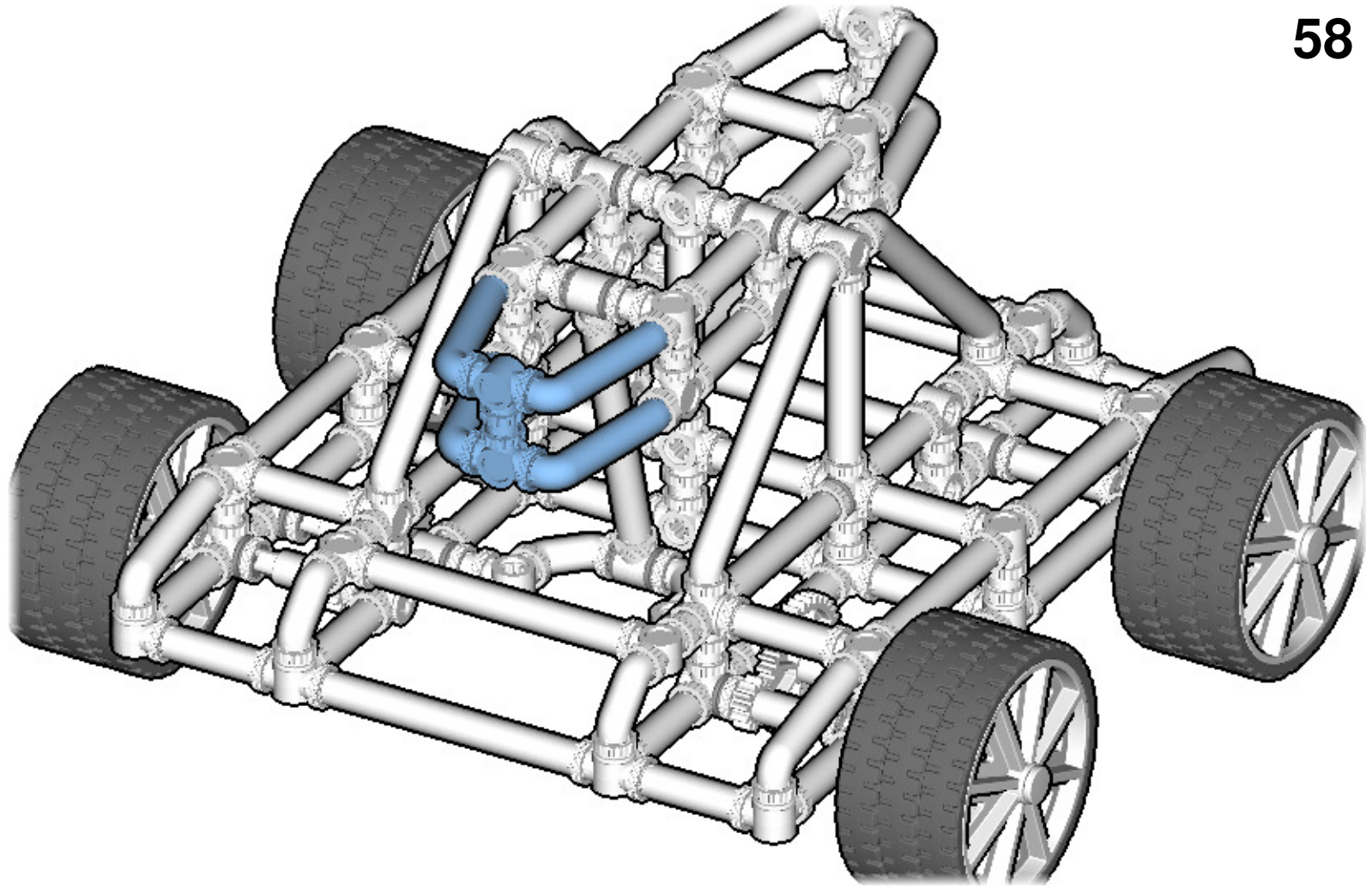
56



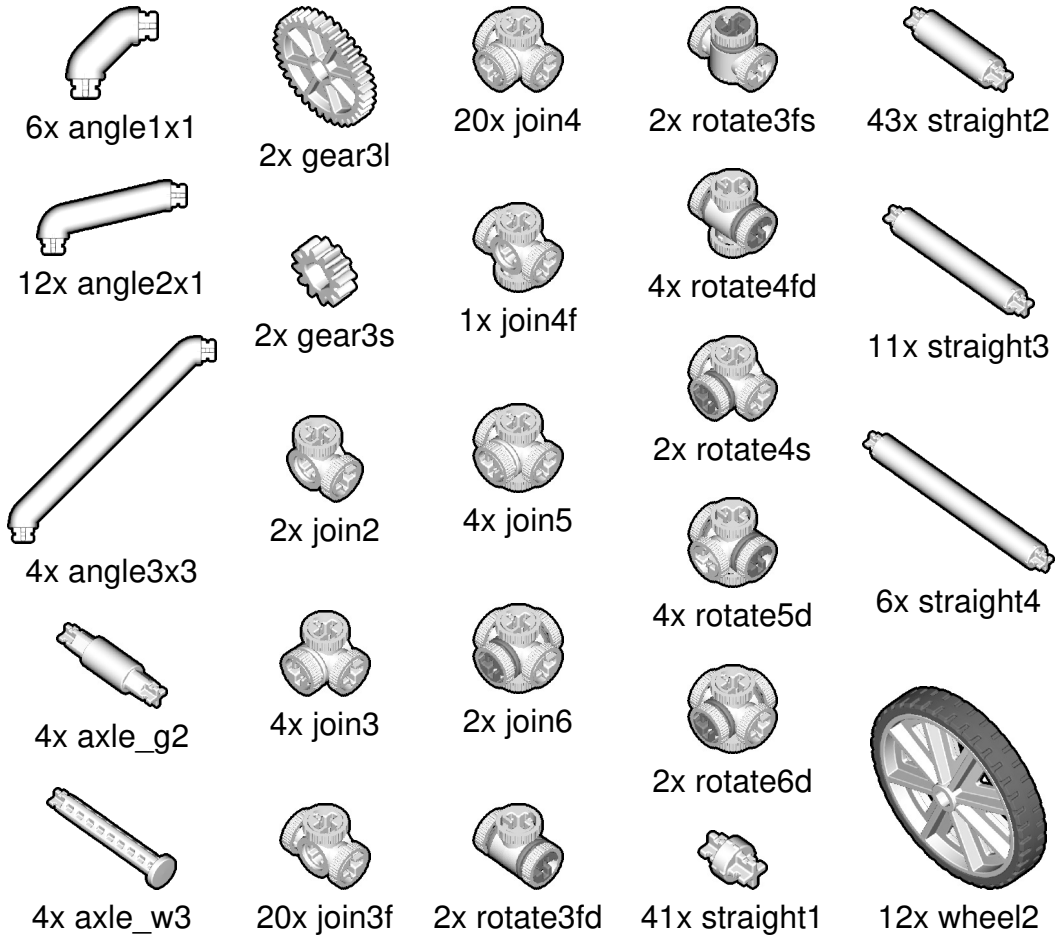
57



58



INVENTORY



ACTUAL SIZE

