

VICTORIAN HOUSE

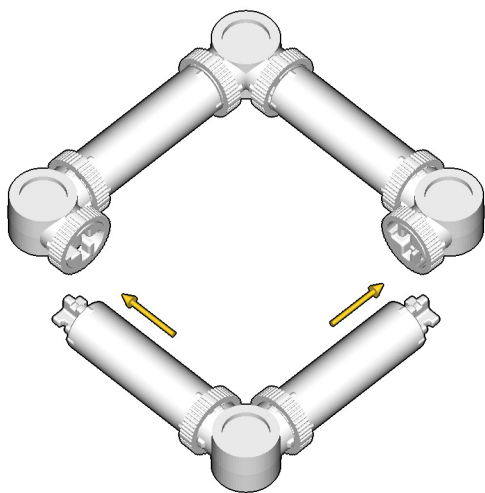
SIZE
0.9ft x 0.7ft x 0.6ft

PIECES
175

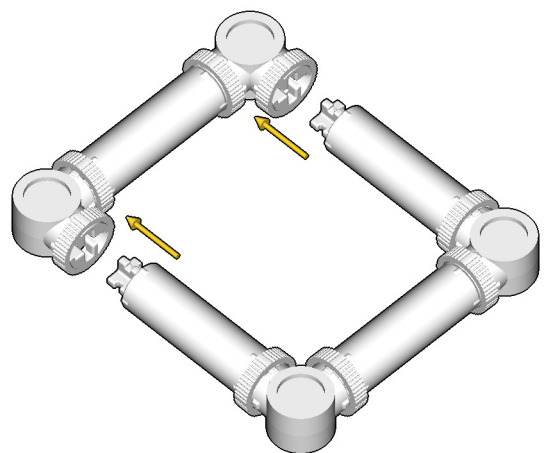
DESIGNER
Mary Bell

MADE IN
U.S.A.

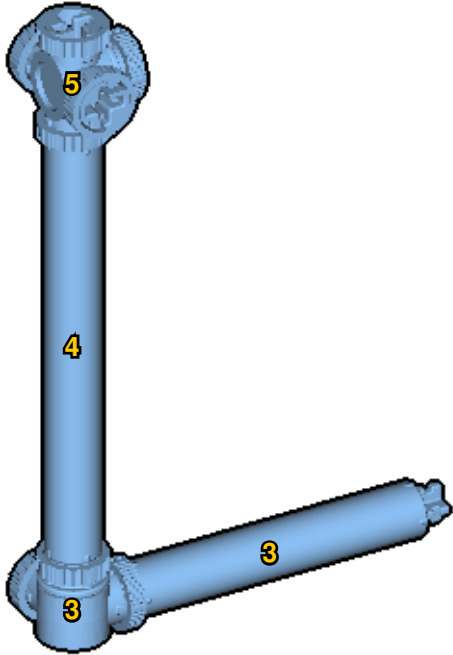
⚠ WARNING: Small parts. Age 12+. Handle responsibly. U.S. Patent 9,086,087.



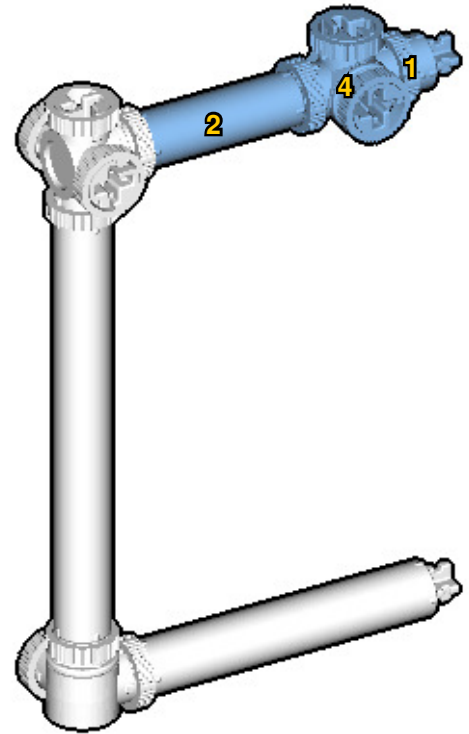
Wrong
Connecting/Disconnecting Two Directions



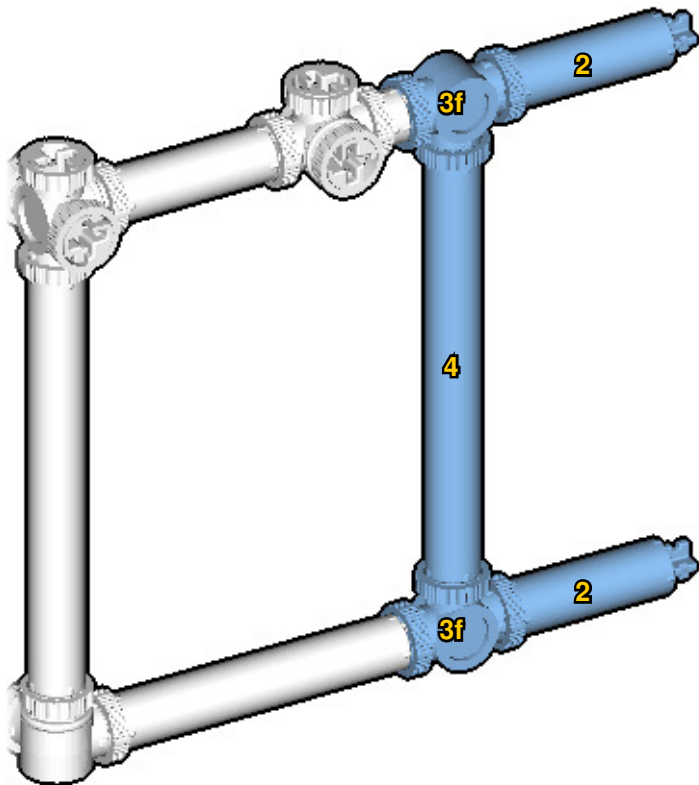
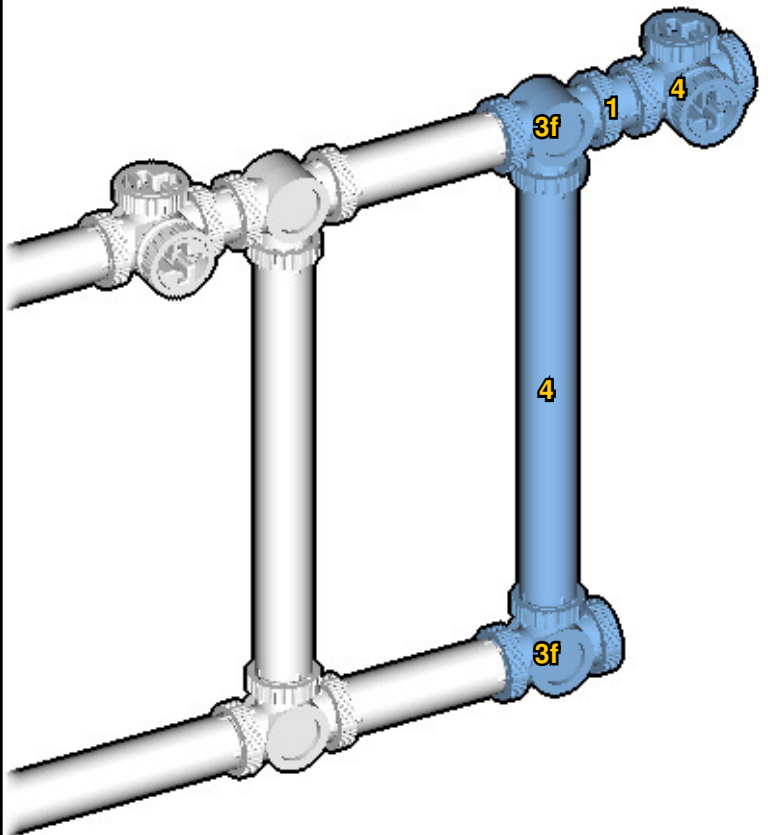
Right
Connecting/Disconnecting One Direction

1

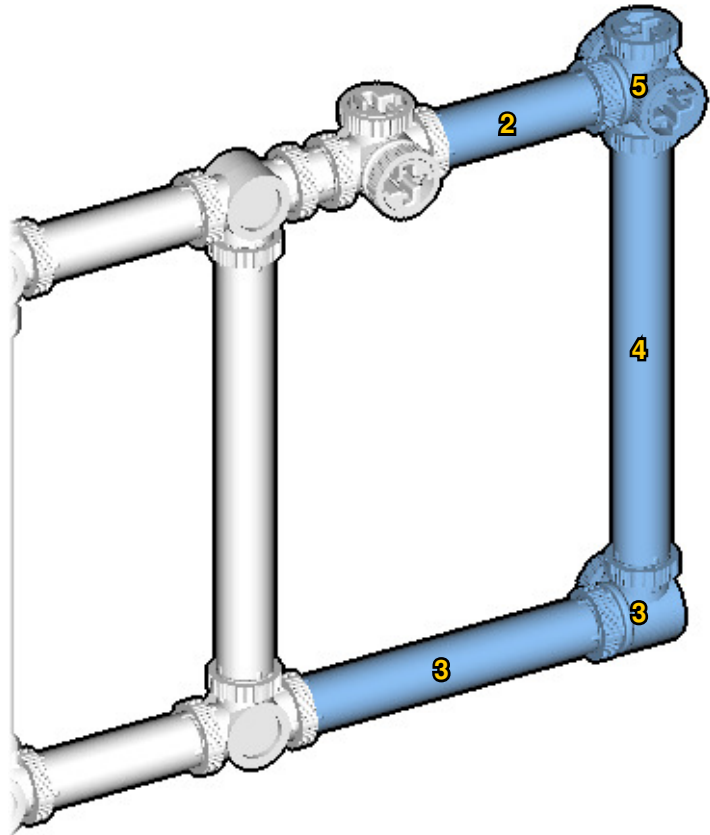
New pieces are drawn blue. Old pieces are drawn white.
See back for piece names.

2

Connect new pieces together before connecting to old pieces.

3**4**

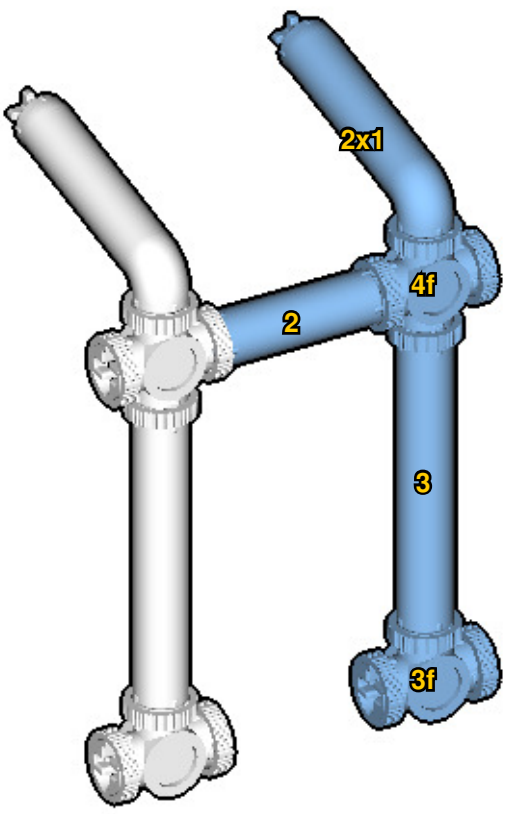
5



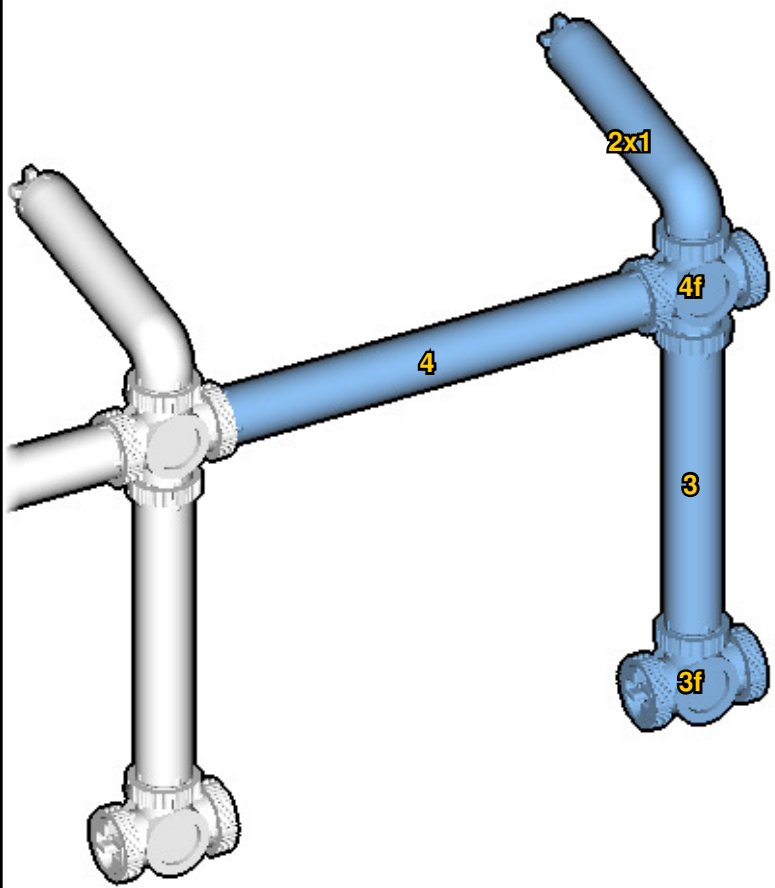
Submodel begins → 6

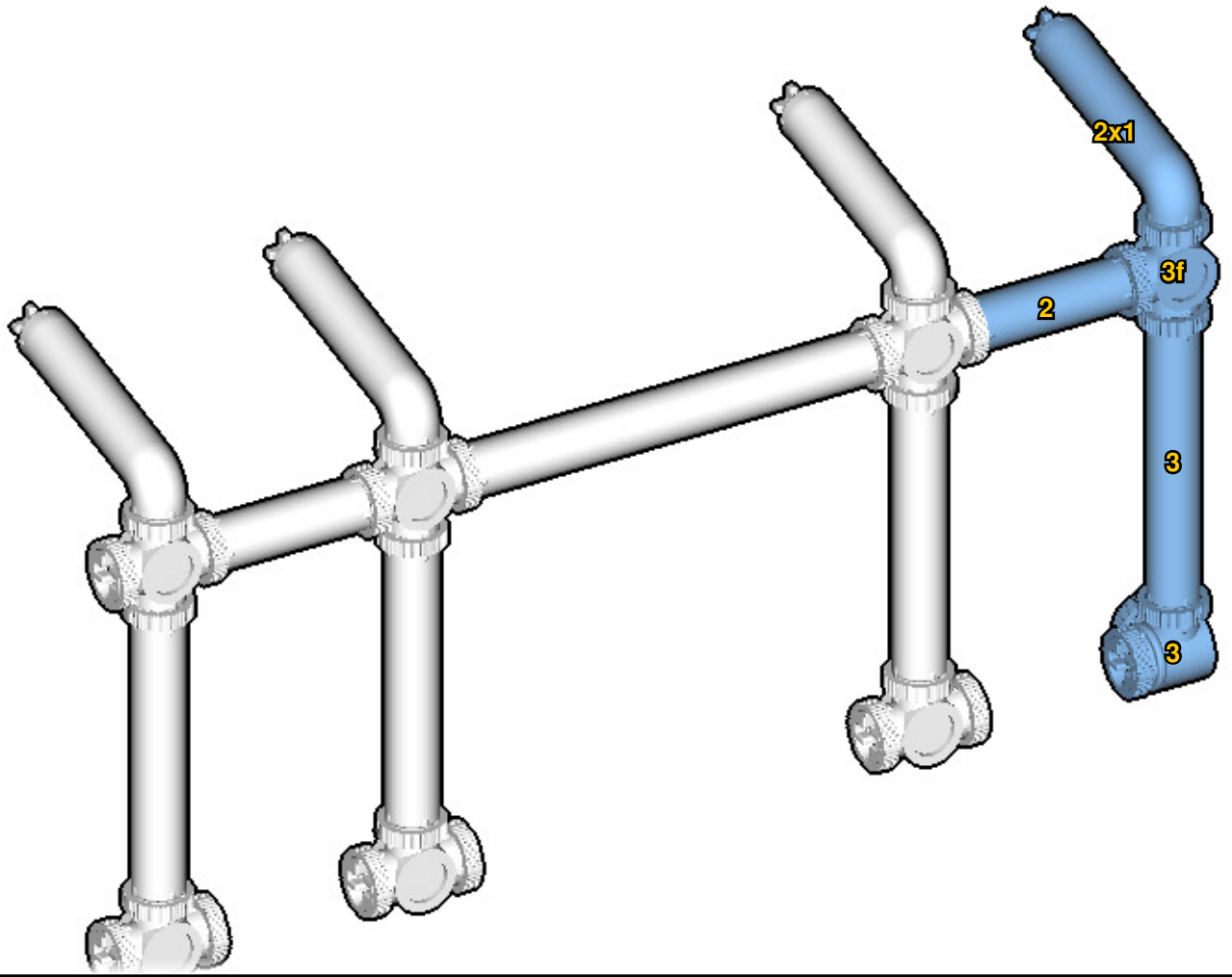


7

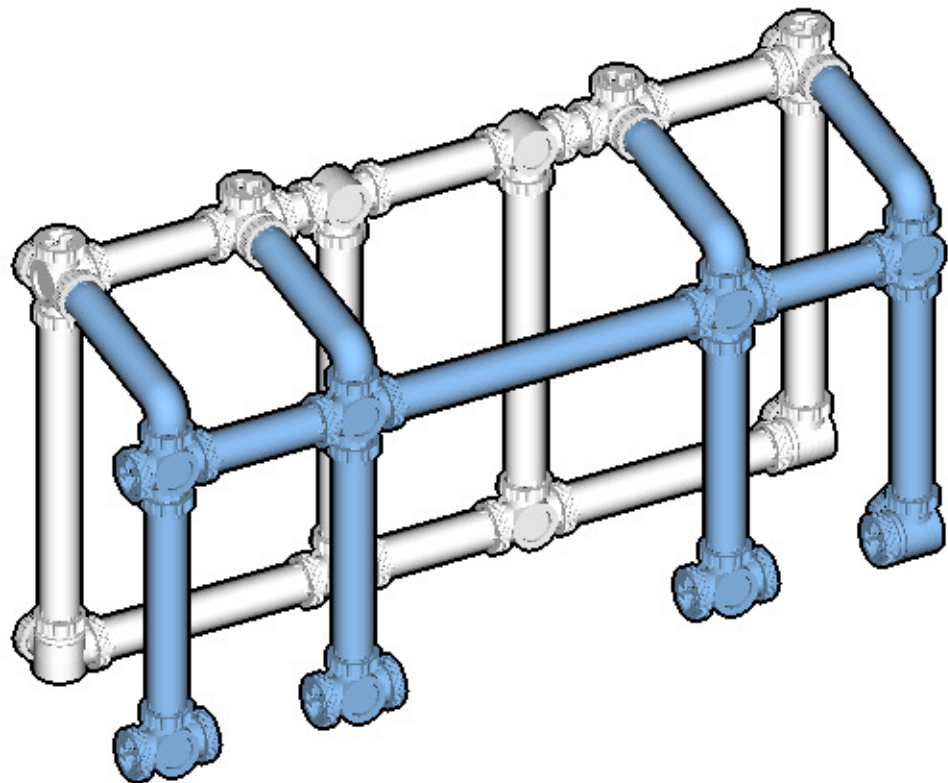


8



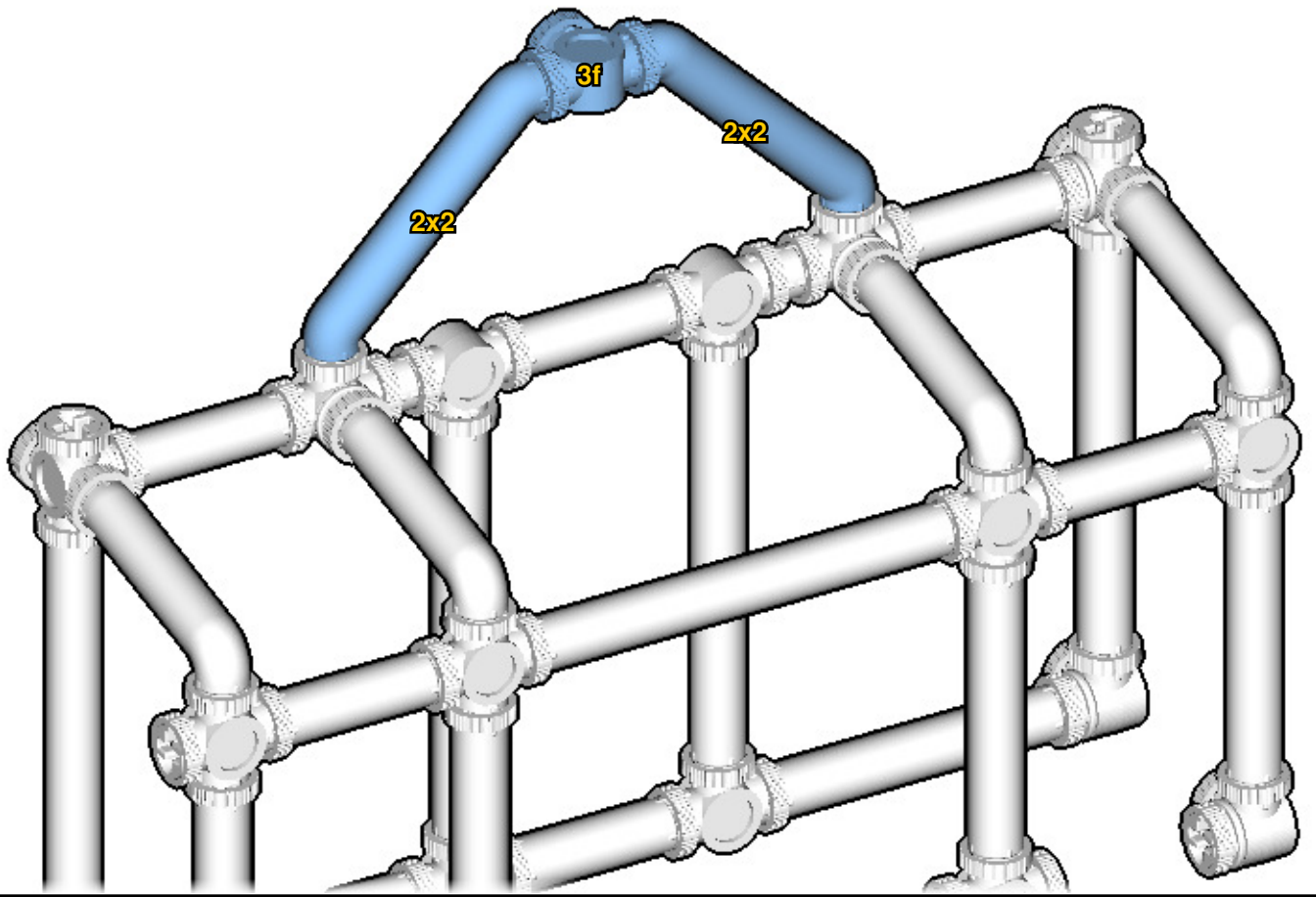


Submodel ends → **10**

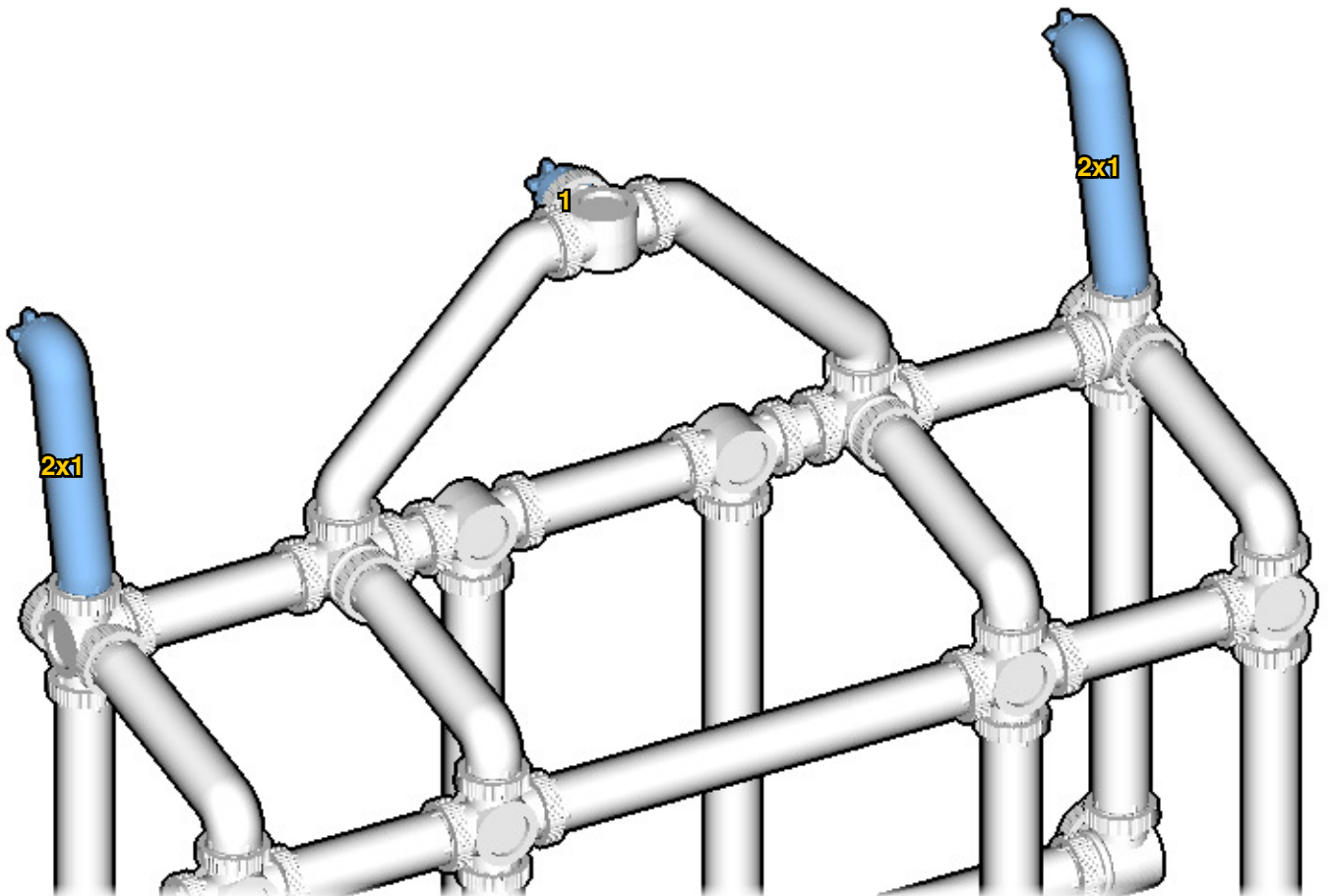


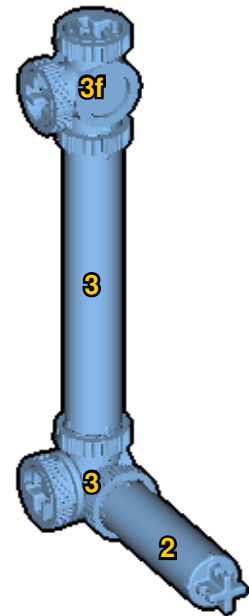
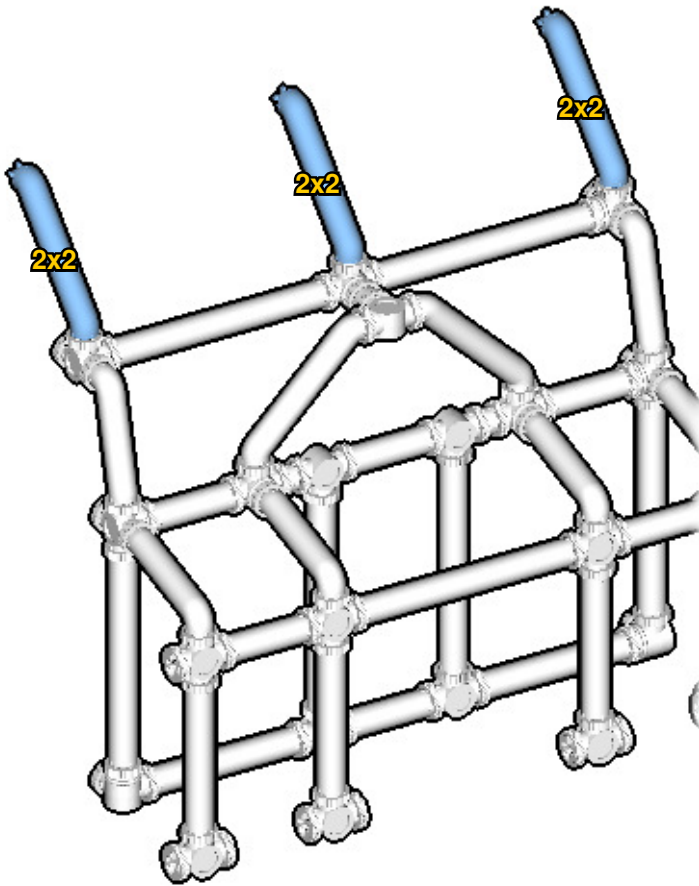
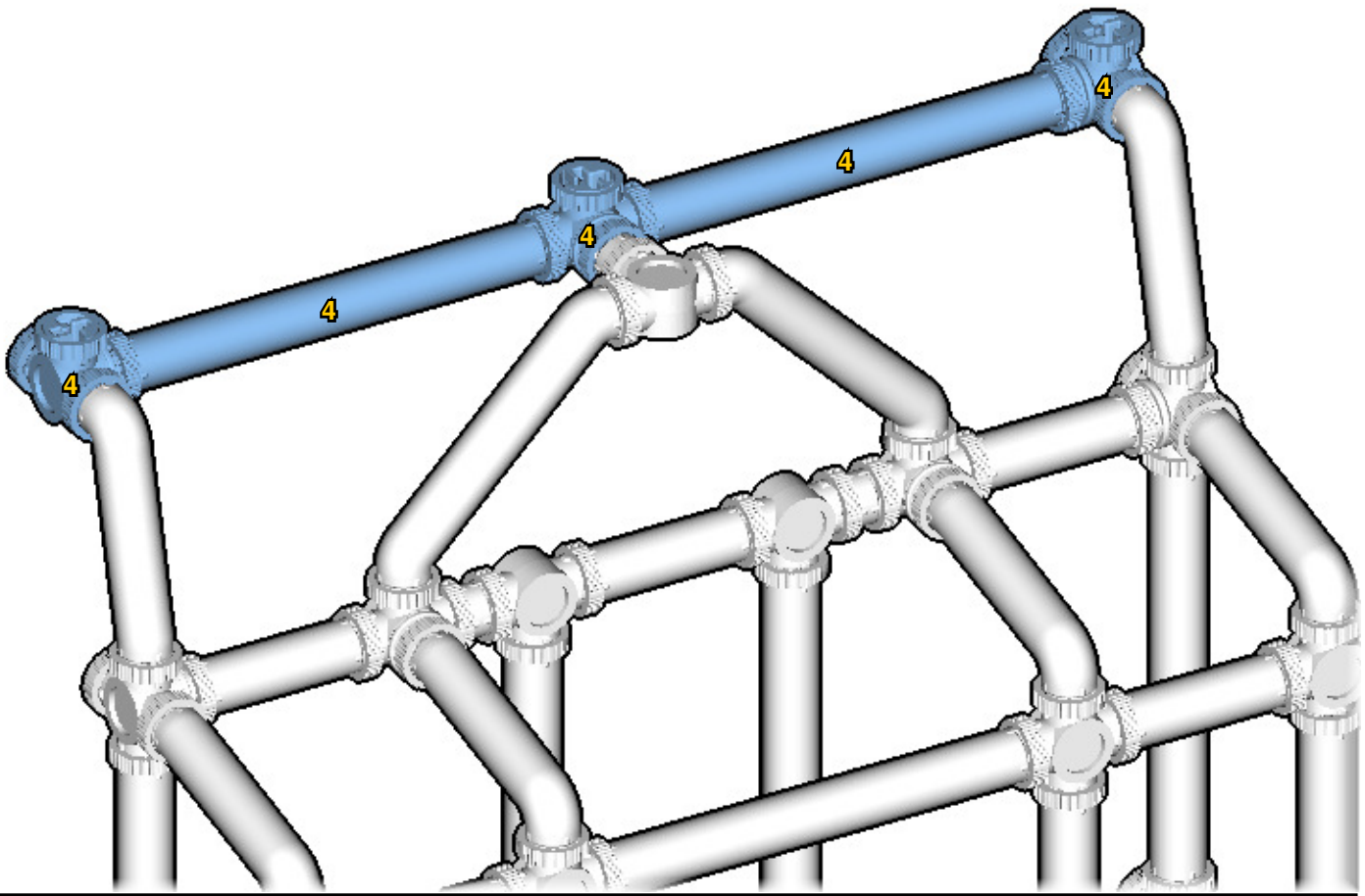
Connect submodel to model.

11

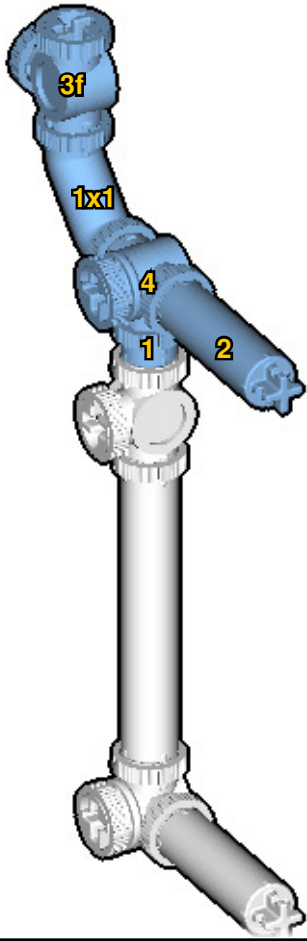


12

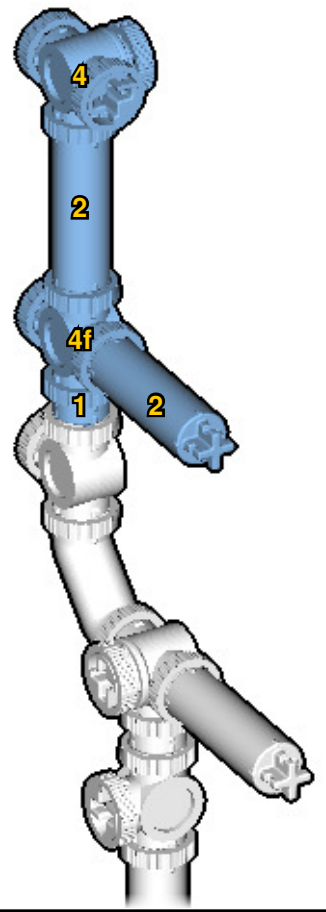




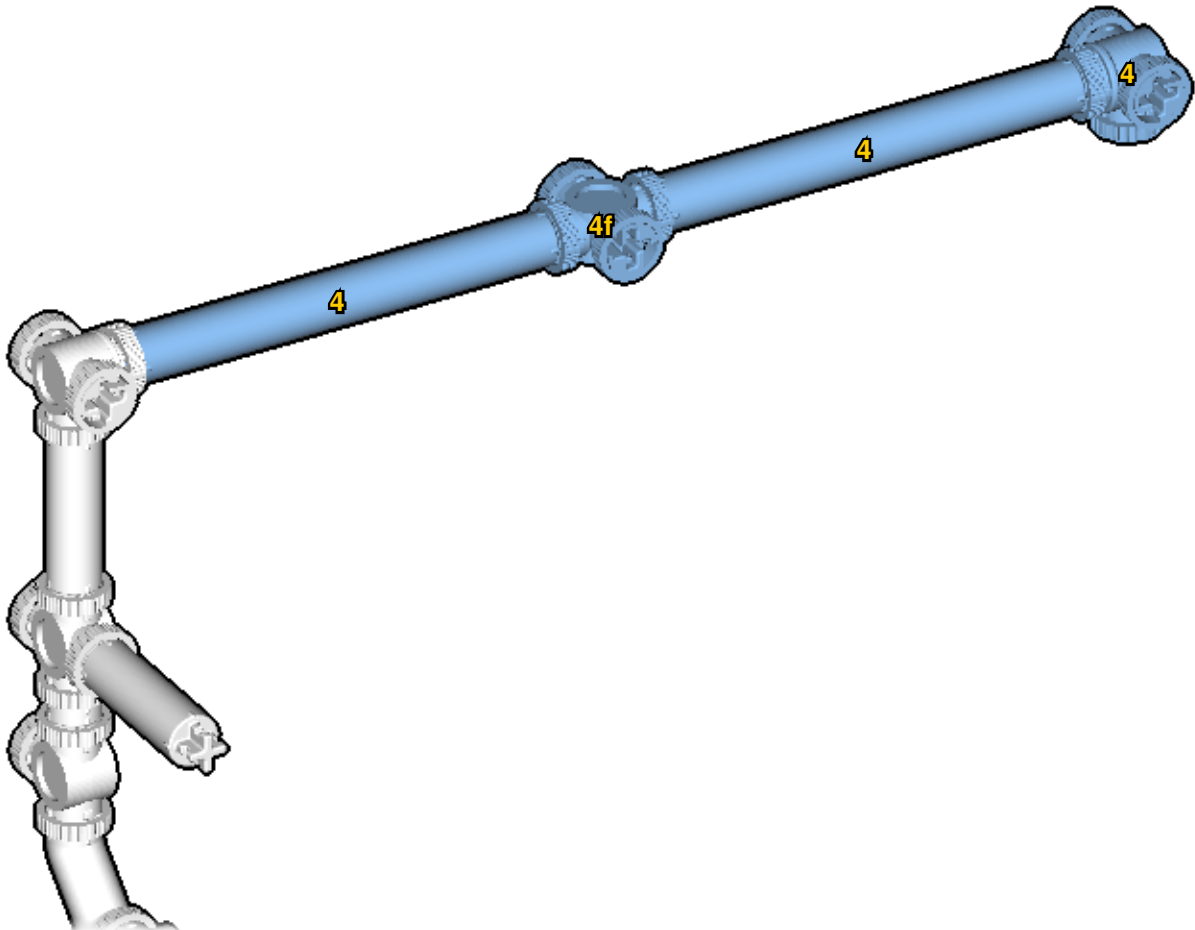
16

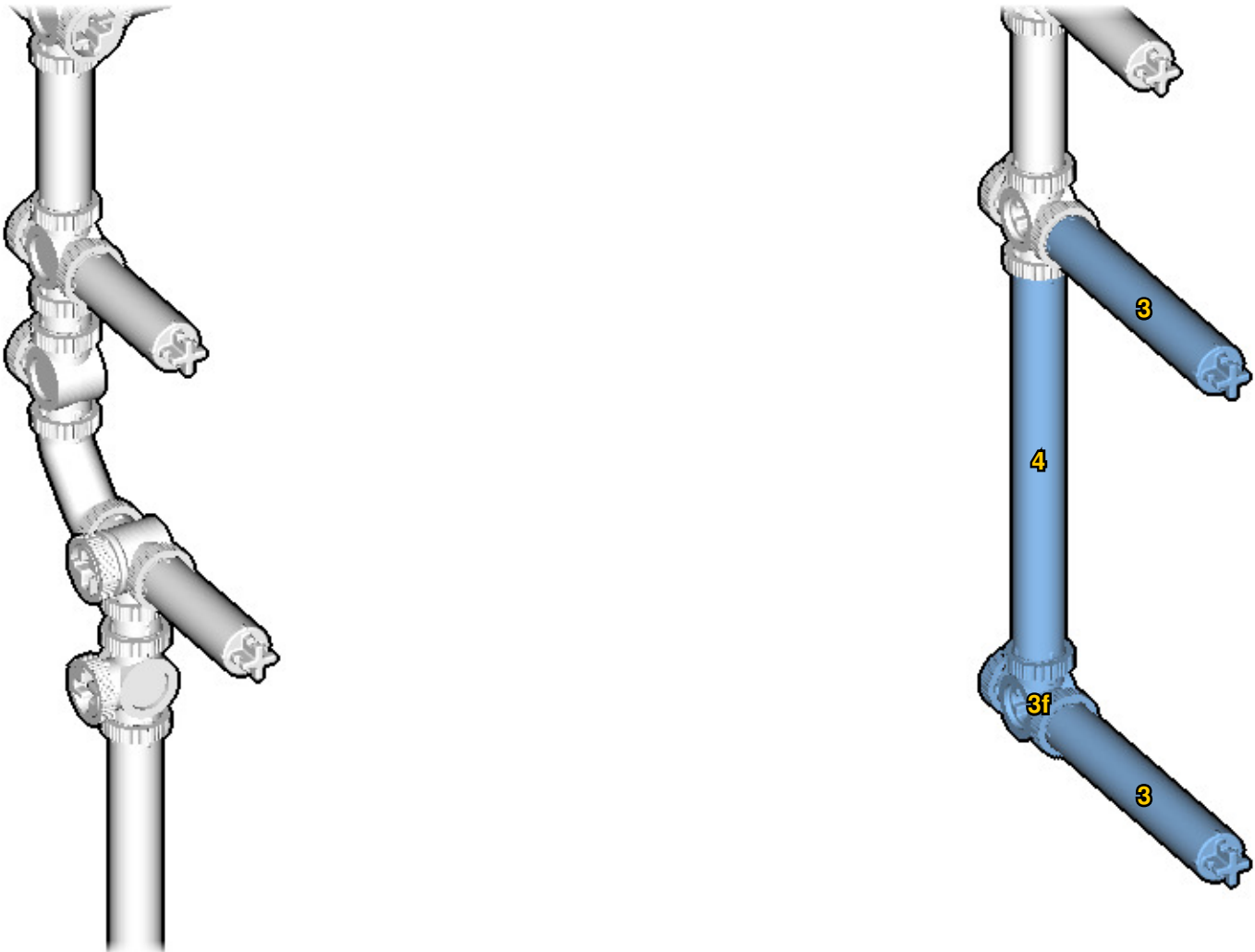
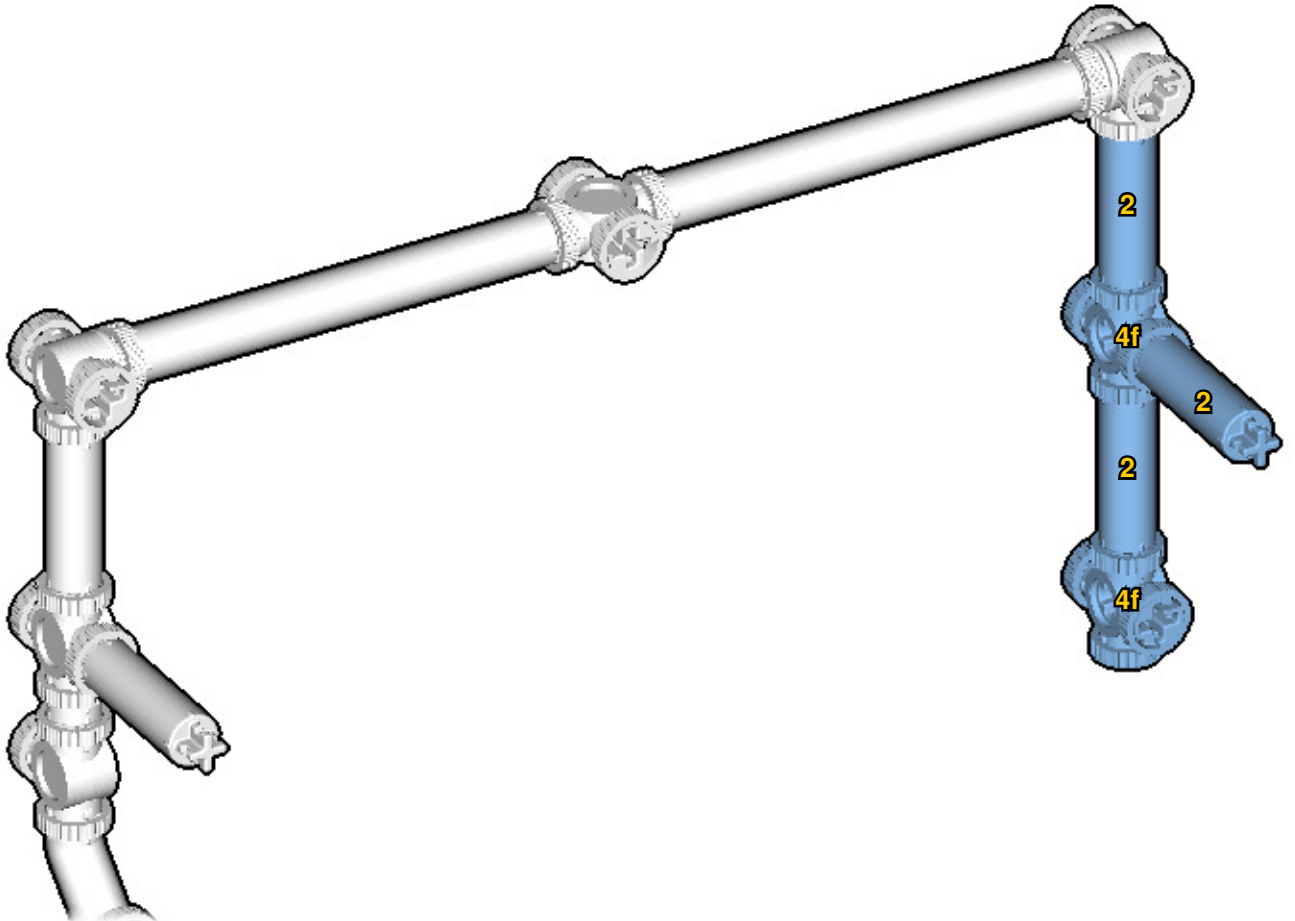


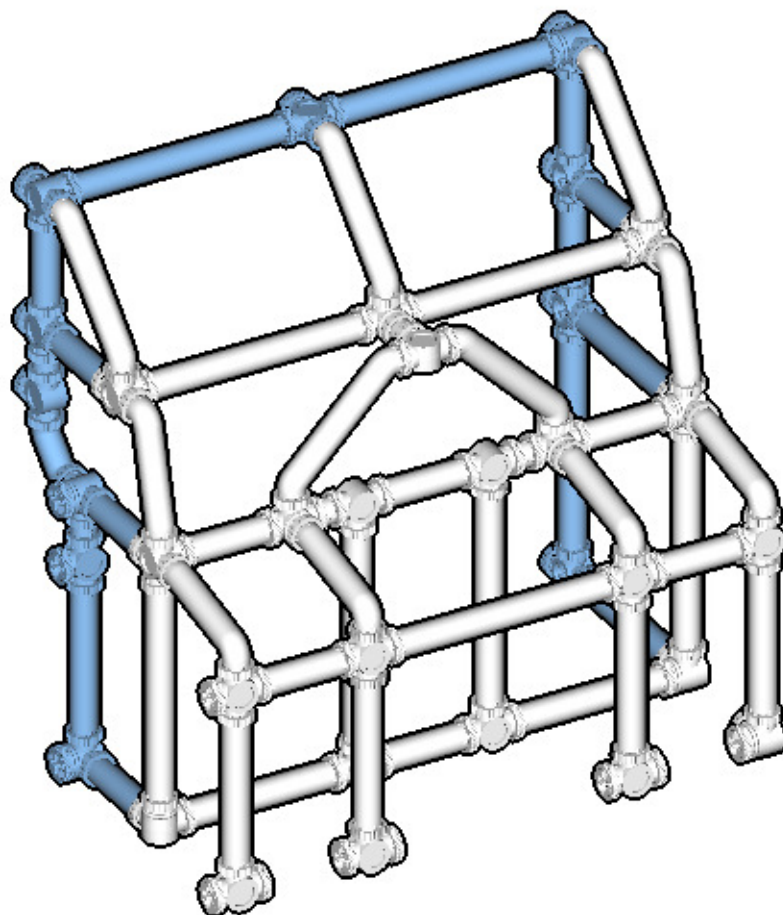
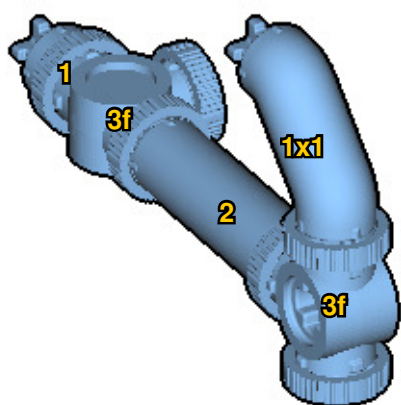
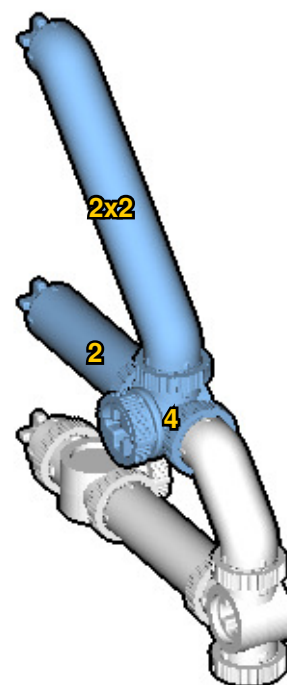
17



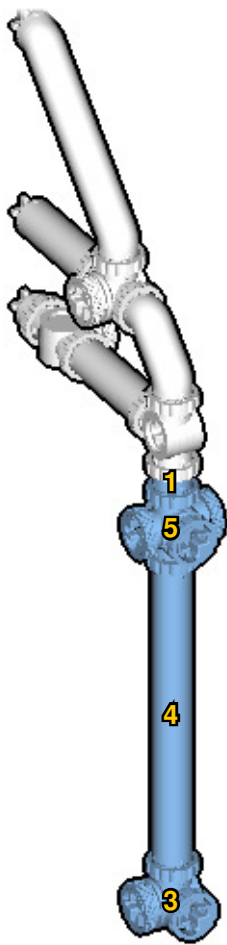
18



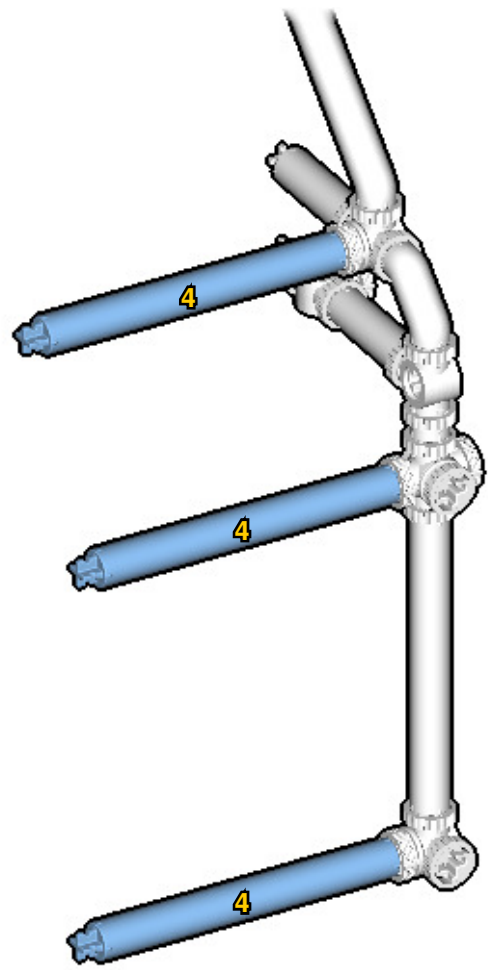


2223

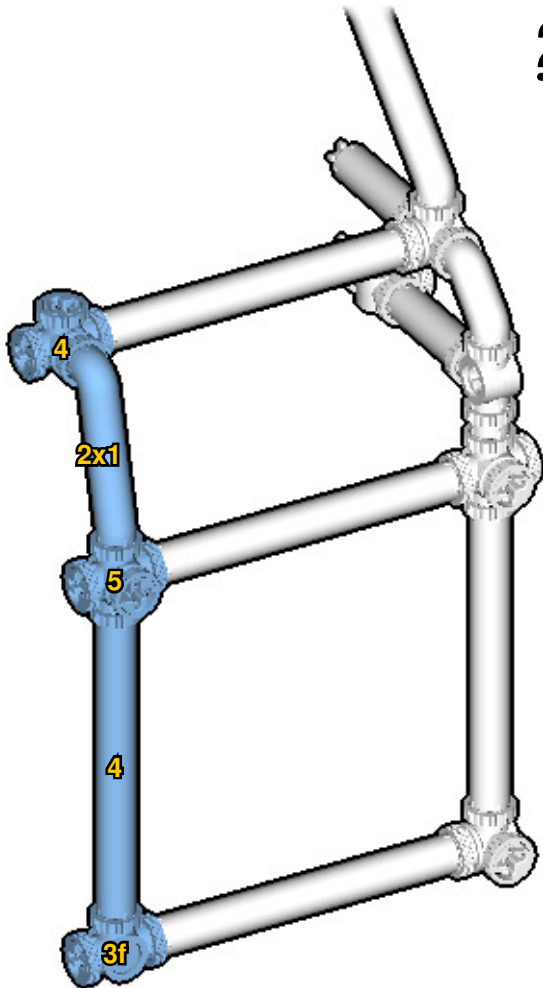
24



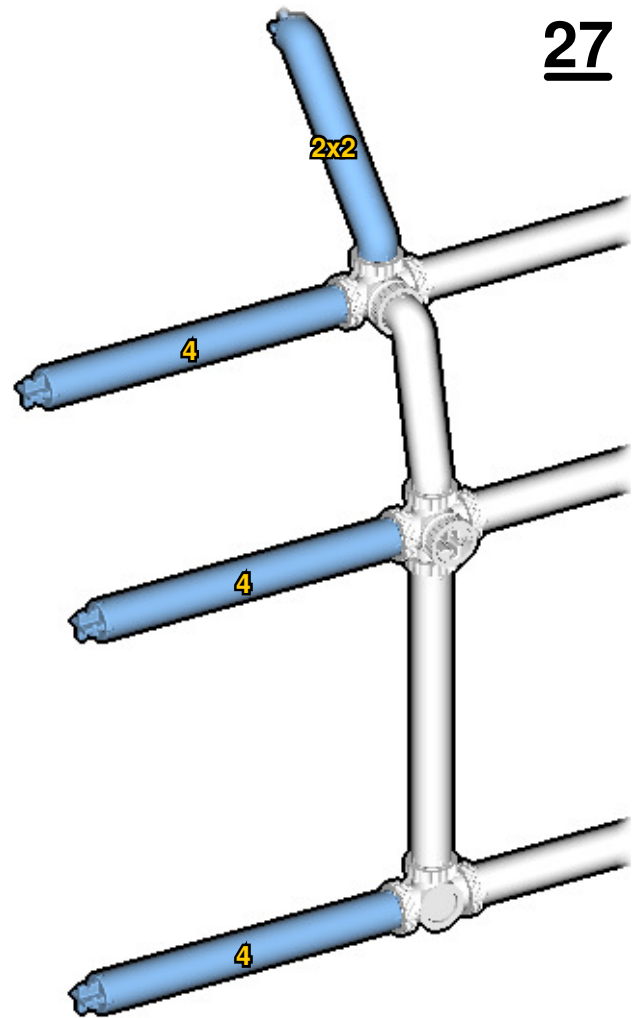
25



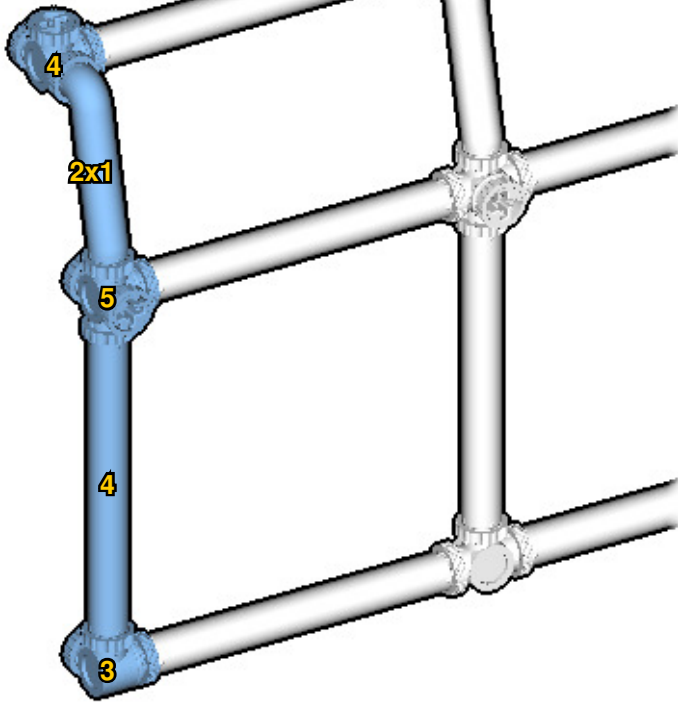
26



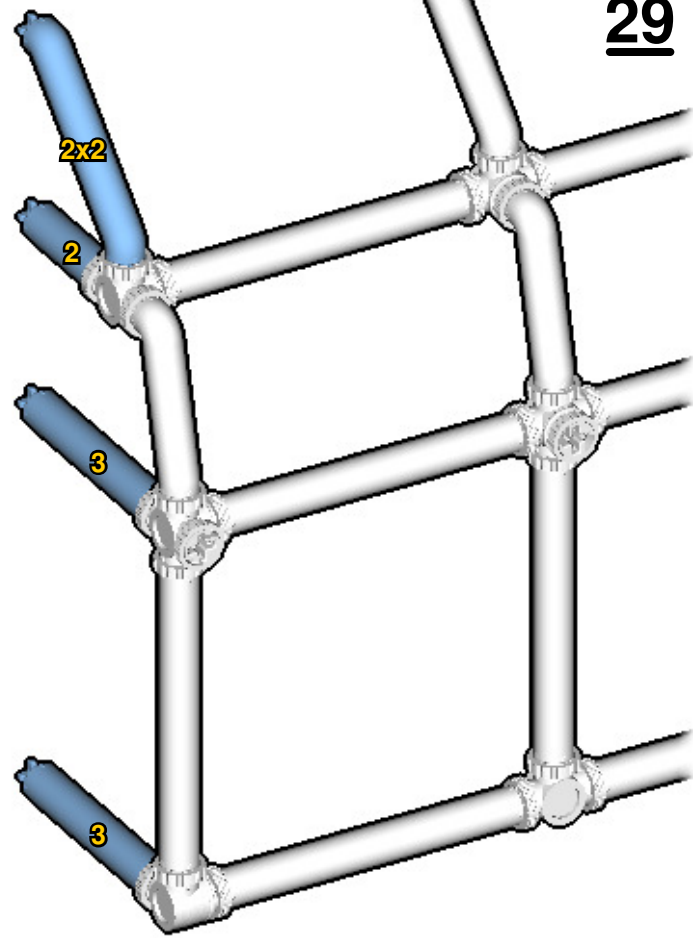
27



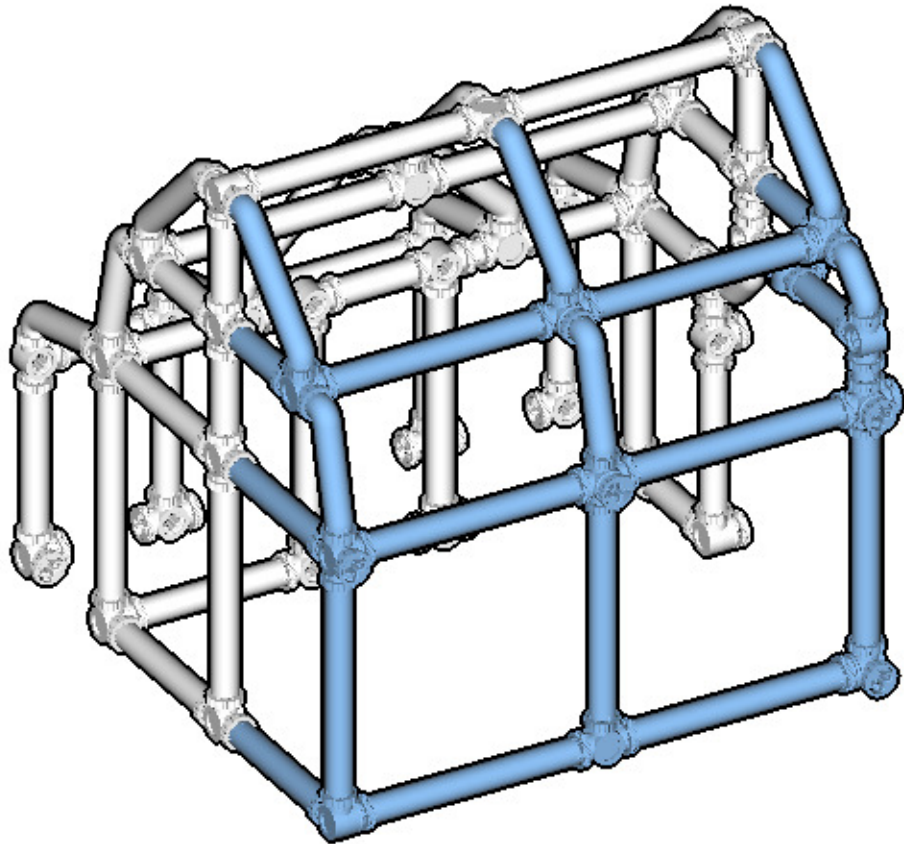
28



29



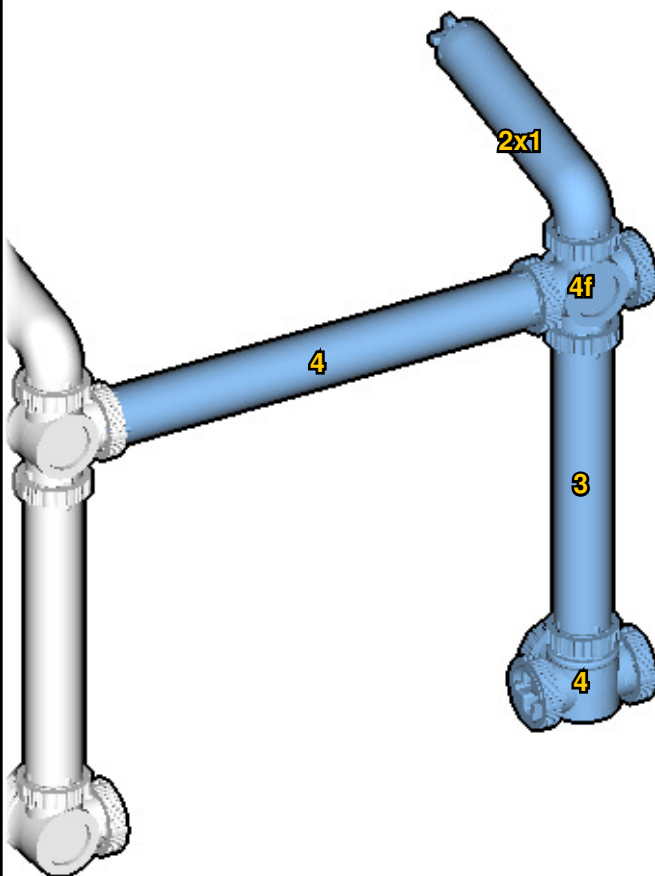
30



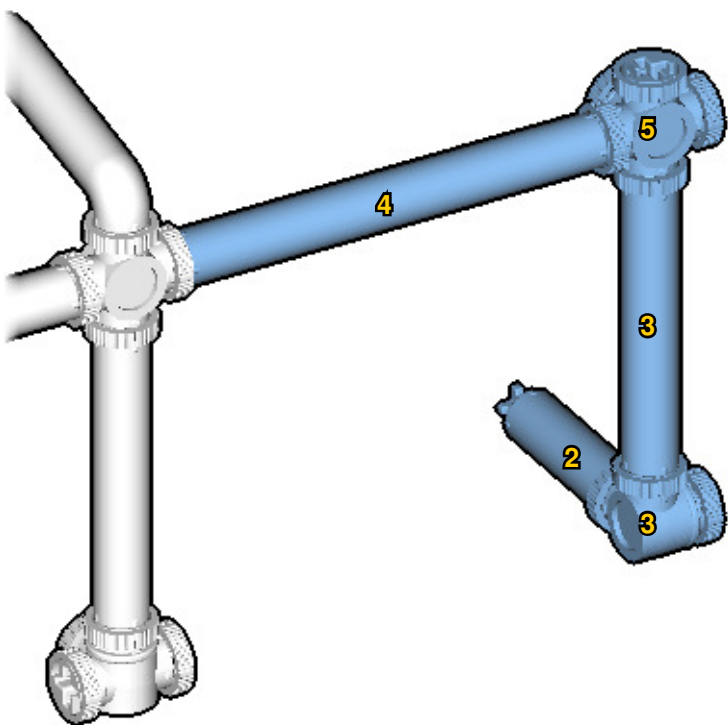
31



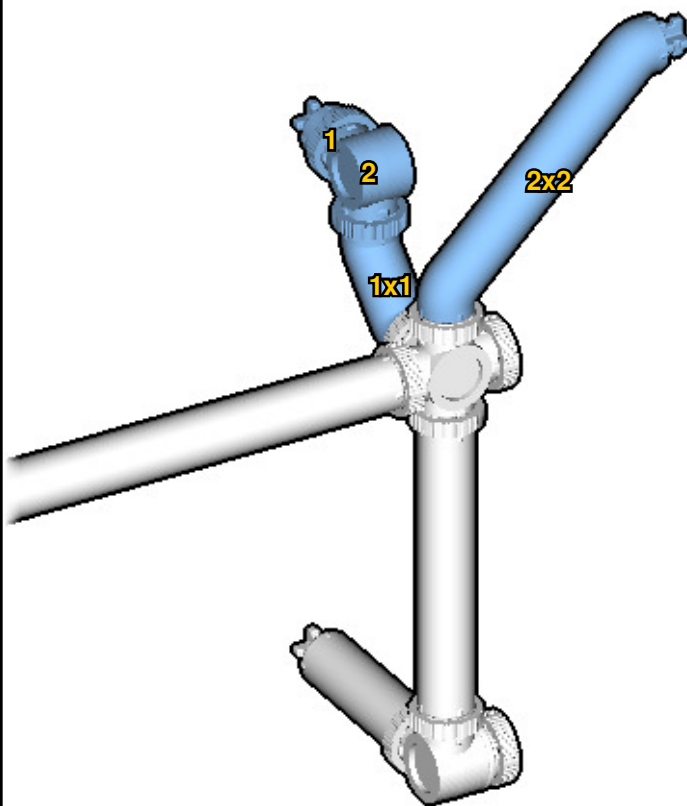
32

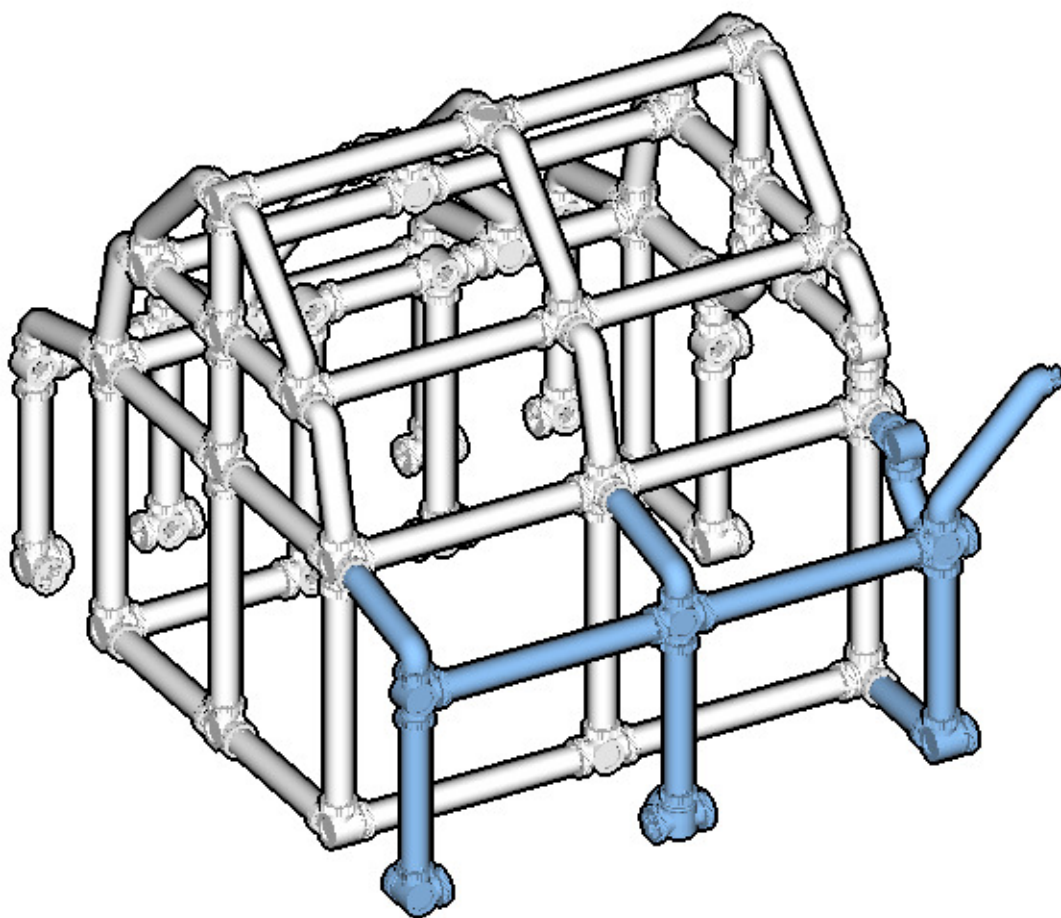


33

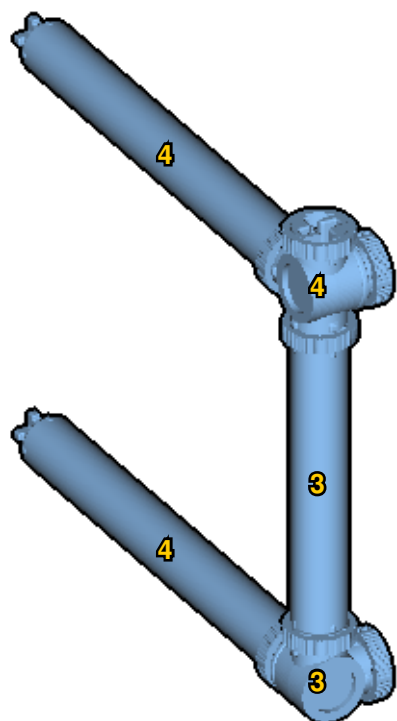


34

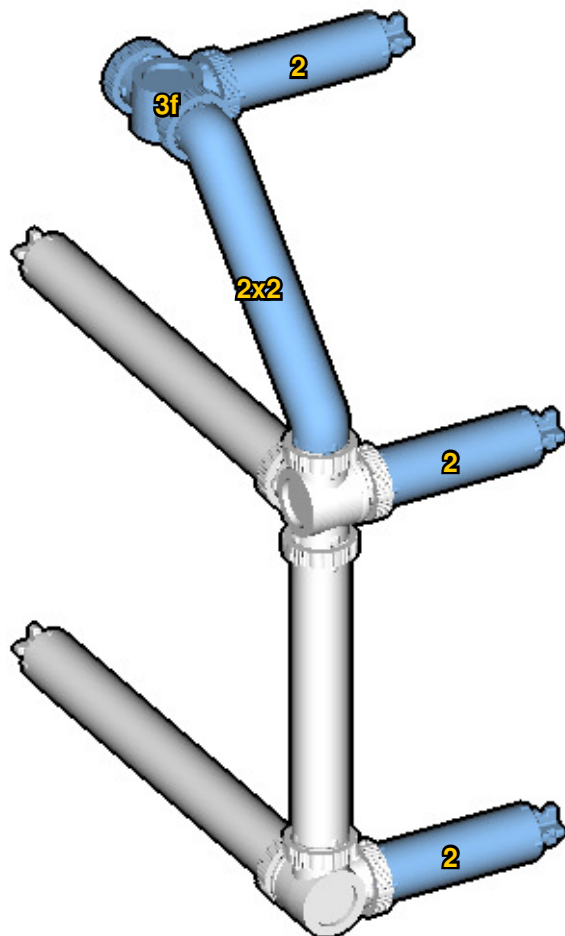




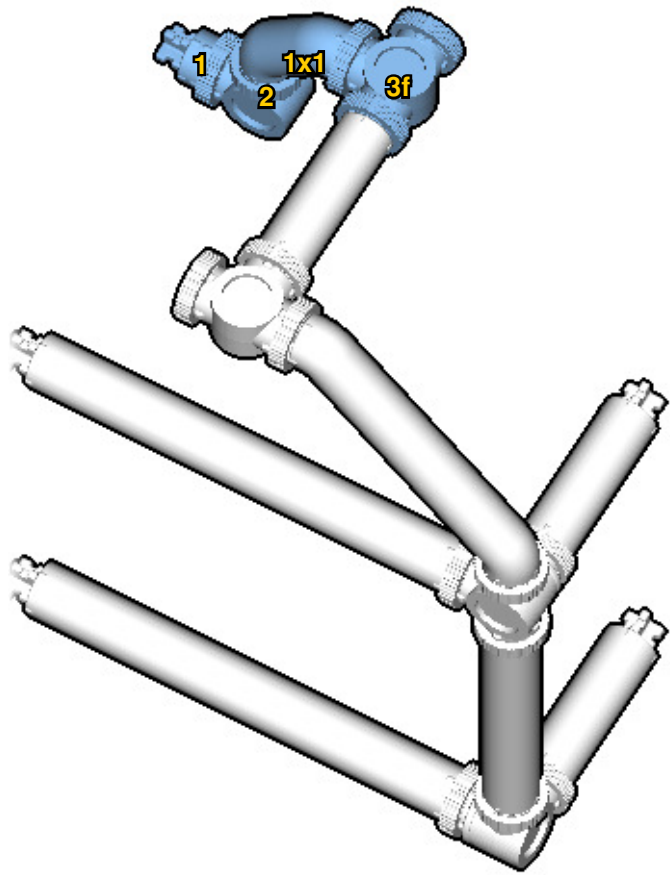
36



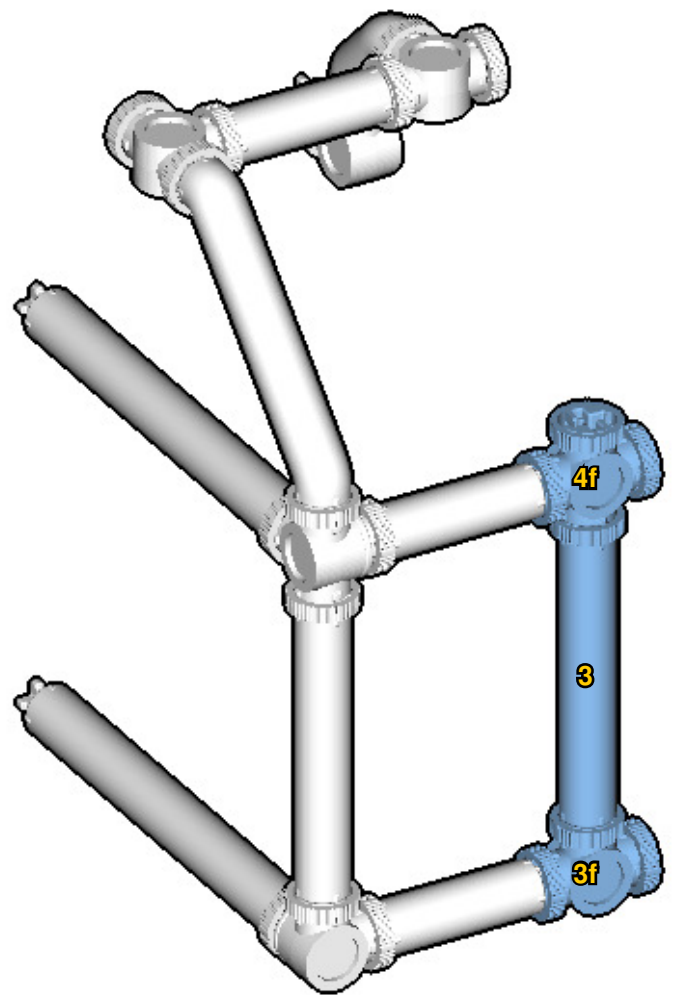
37



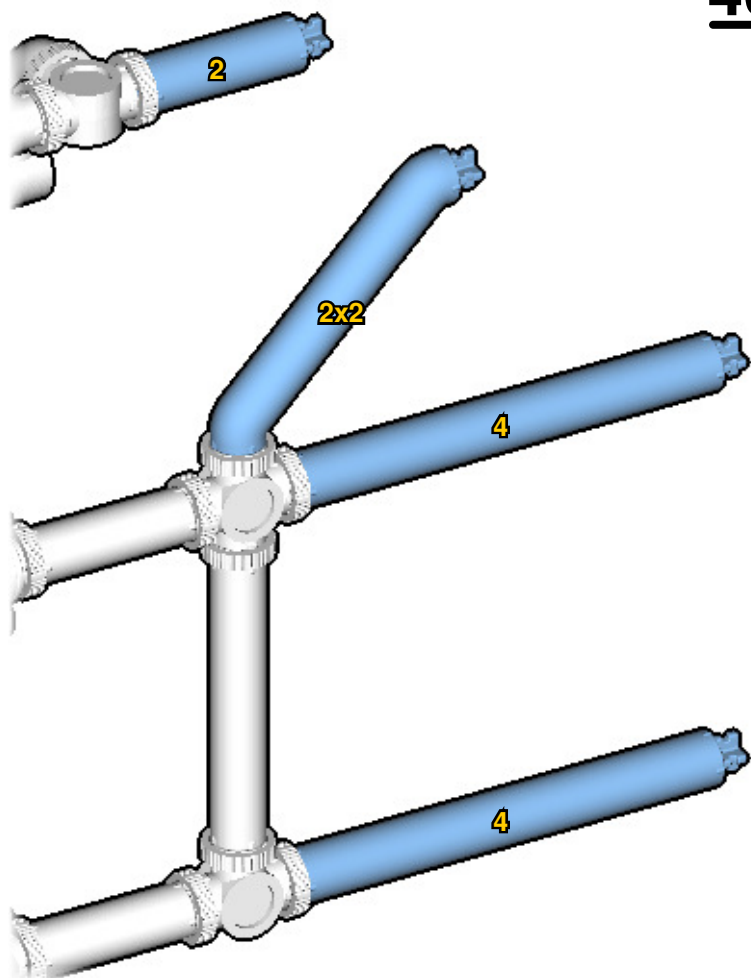
38



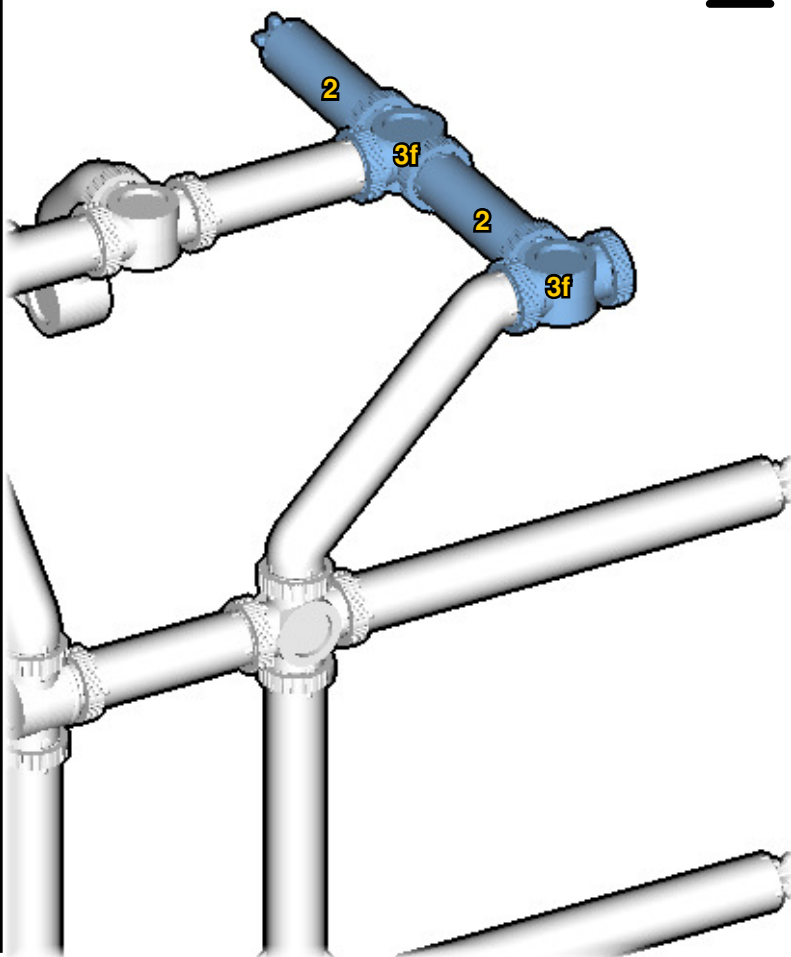
39

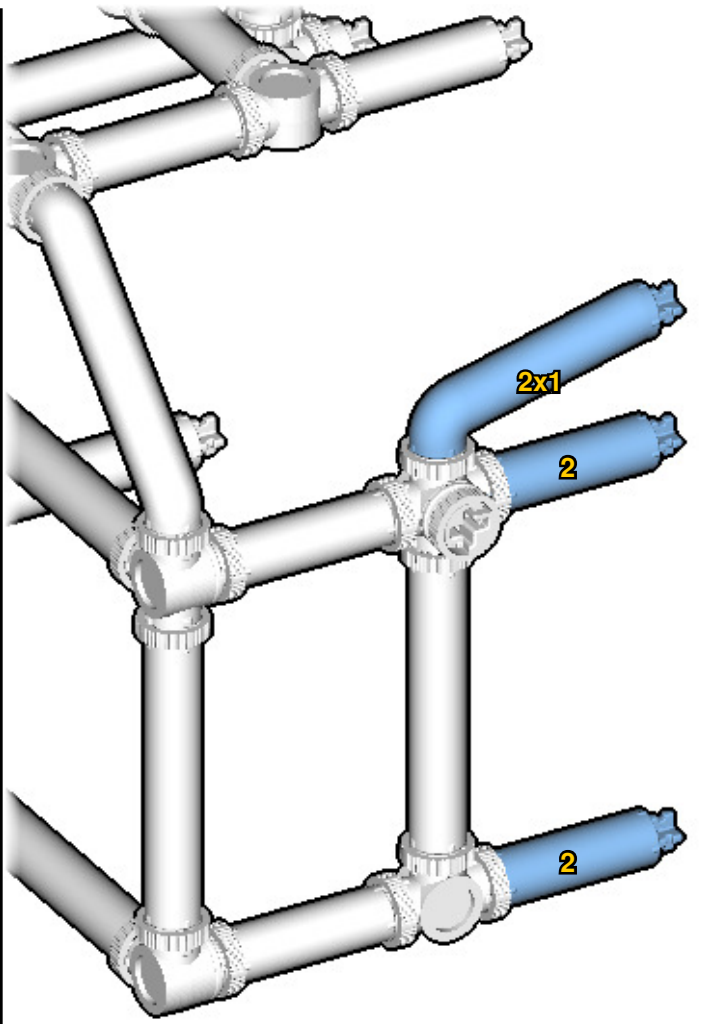
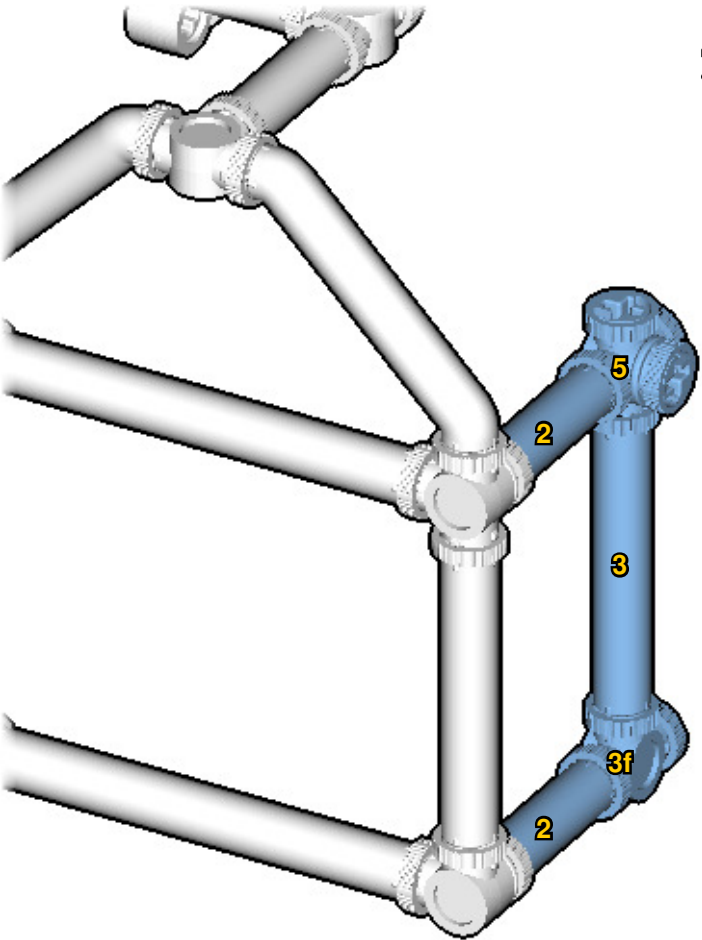
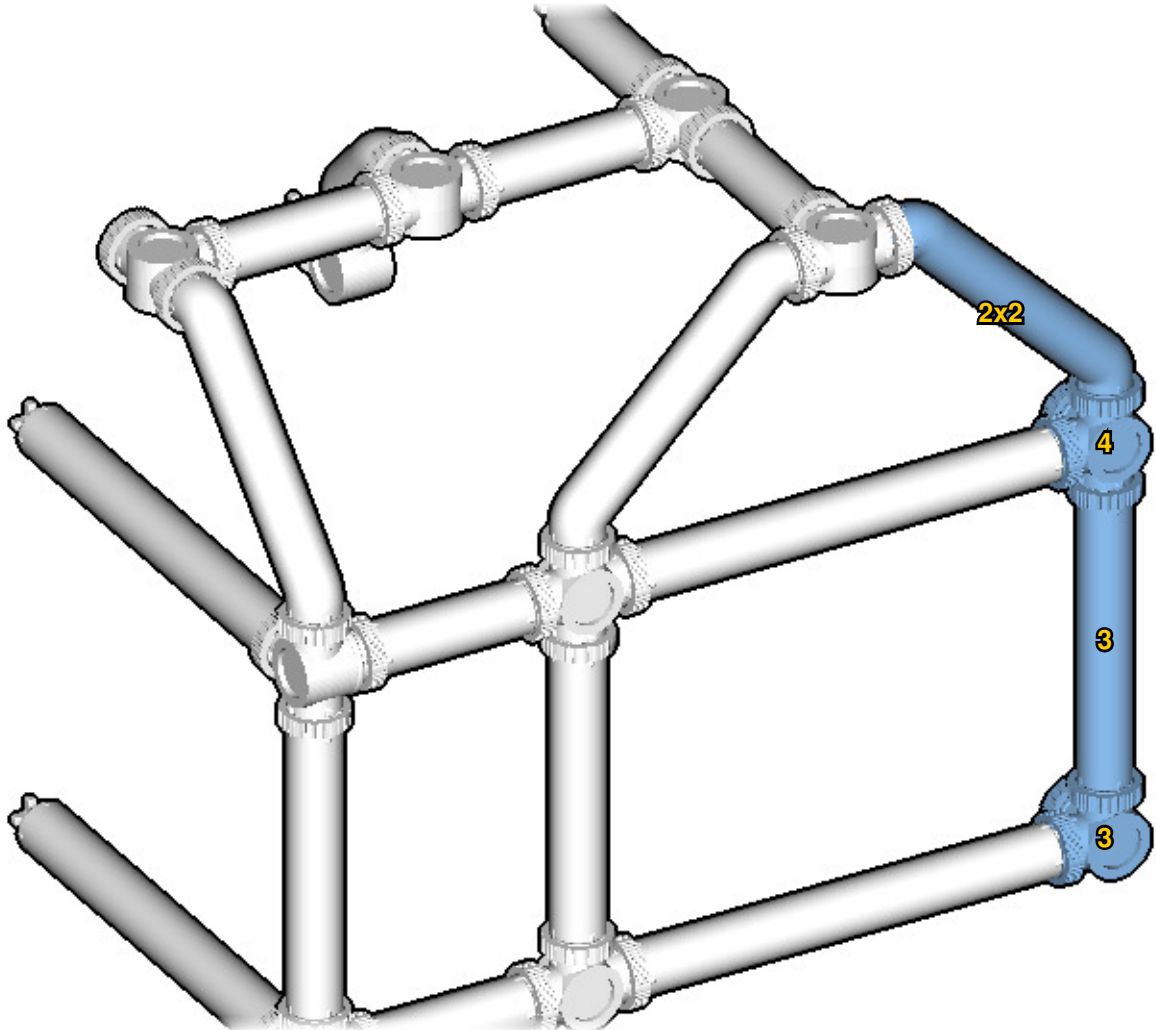


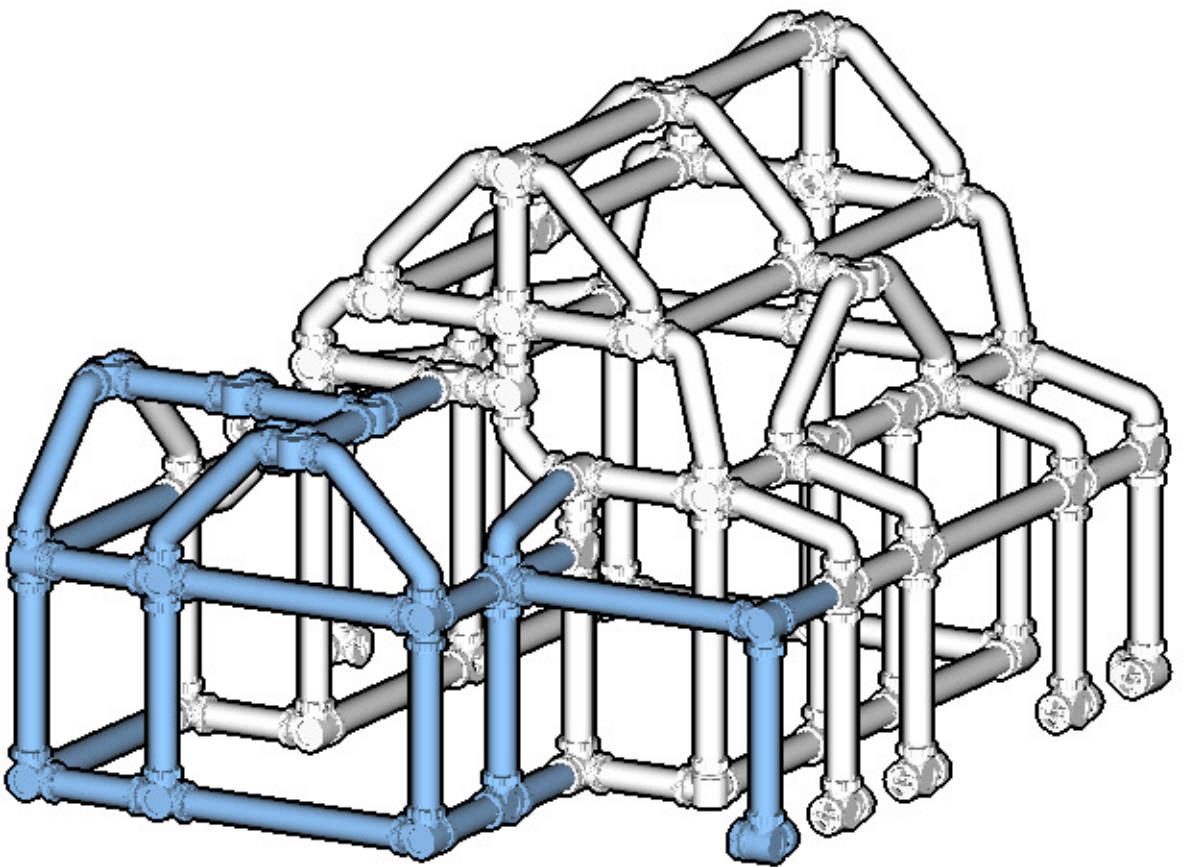
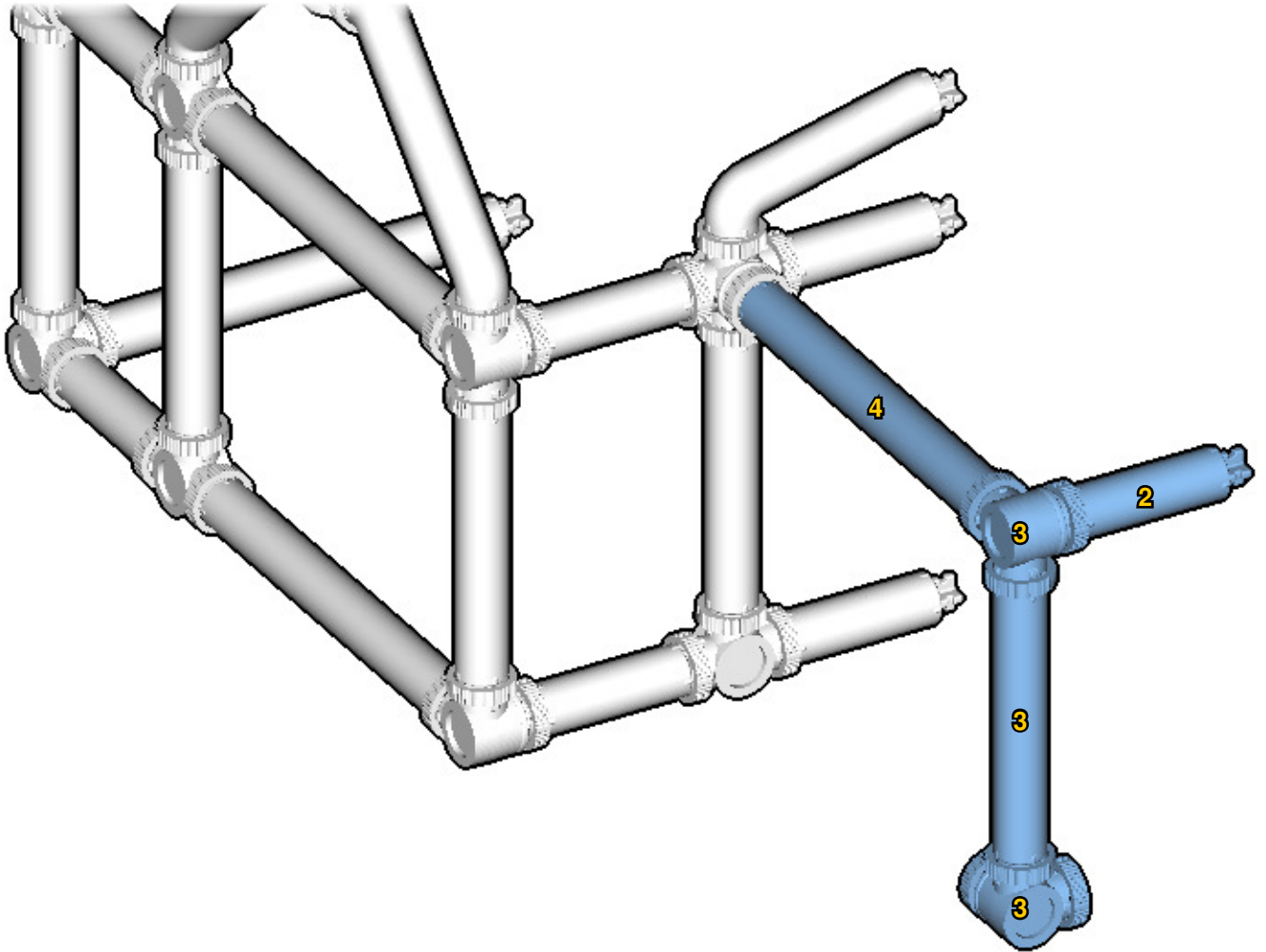
40



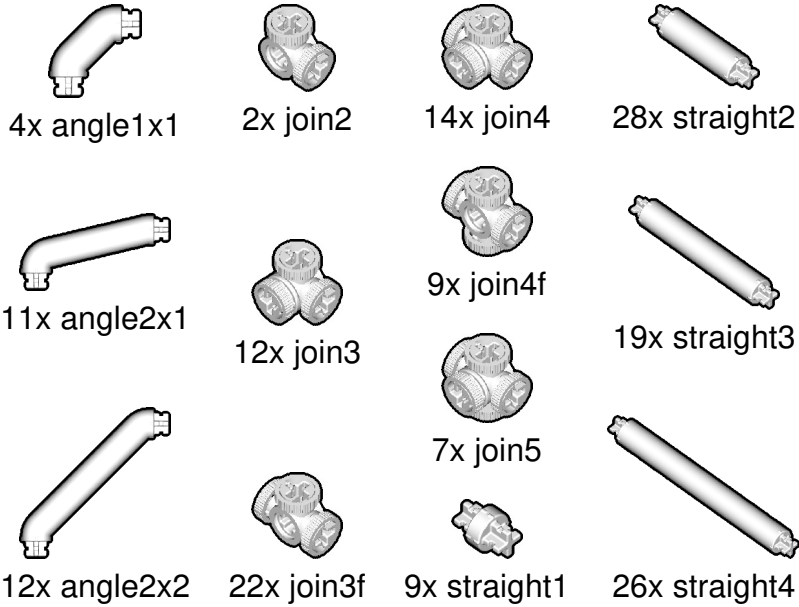
41







INVENTORY



ACTUAL SIZE

