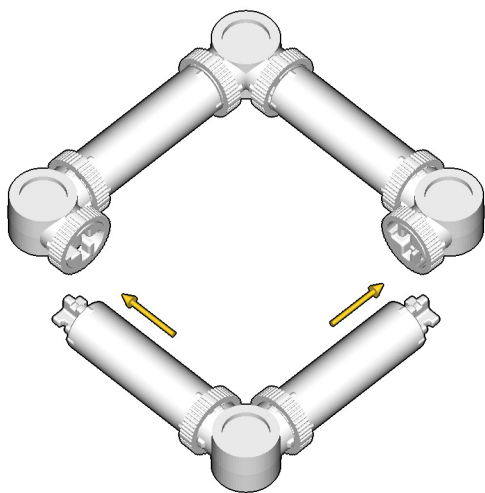


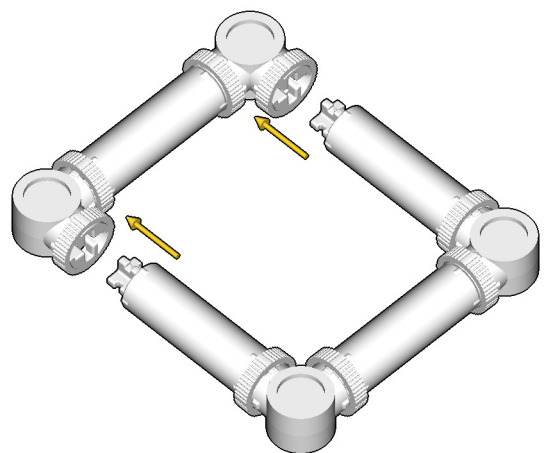
SIZE	0.9ft x 0.7ft x 0.5ft	PIECES	186
DESIGNER	Mary Bell	MADE IN	U.S.A.

COLONIAL HOUSE

⚠ WARNING: Small parts. Age 12+. Handle responsibly. U.S. Patent 9,086,087.

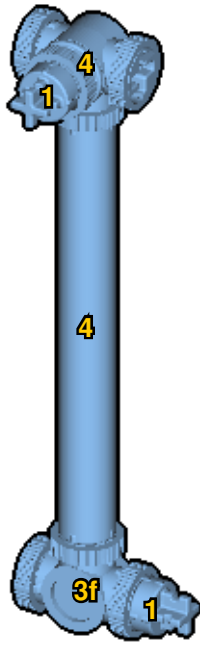


Wrong
Connecting/Disconnecting Two Directions



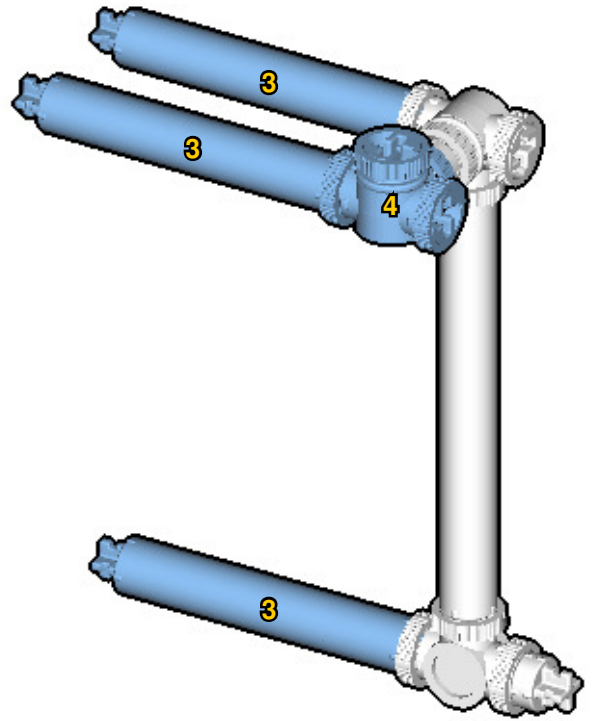
Right
Connecting/Disconnecting One Direction

1



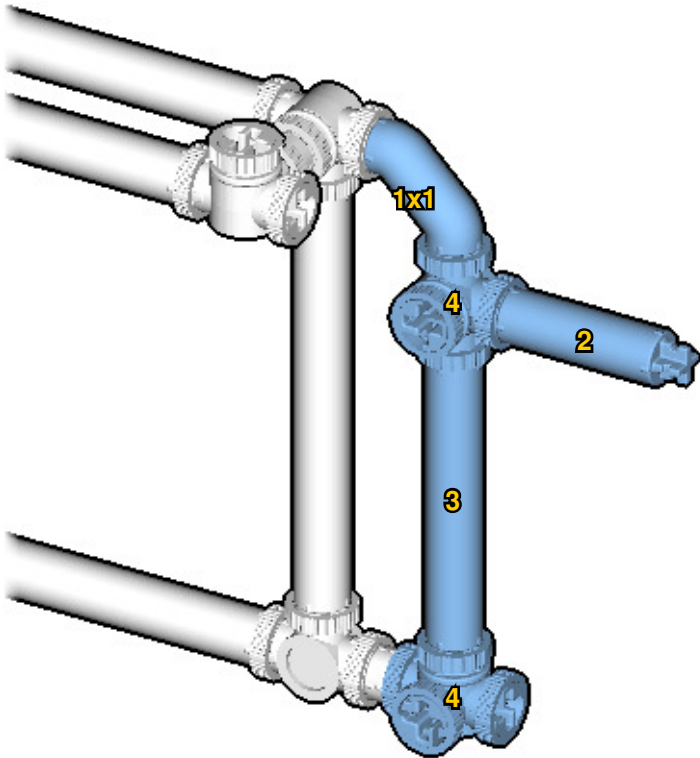
New pieces are drawn blue. Old pieces are drawn white.
See back for piece names.

2

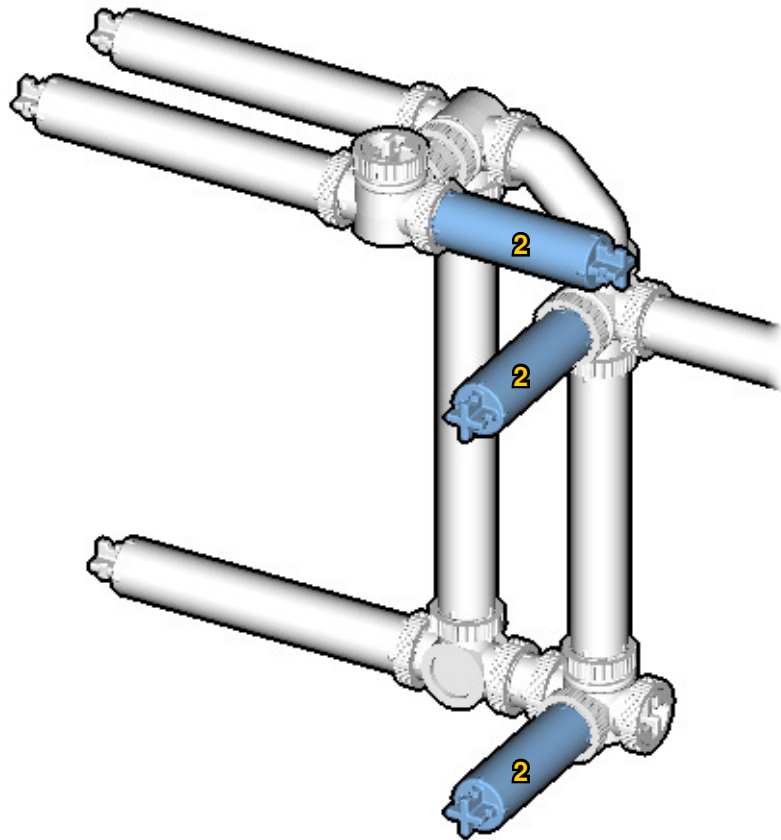


Connect new pieces together before connecting to old pieces.

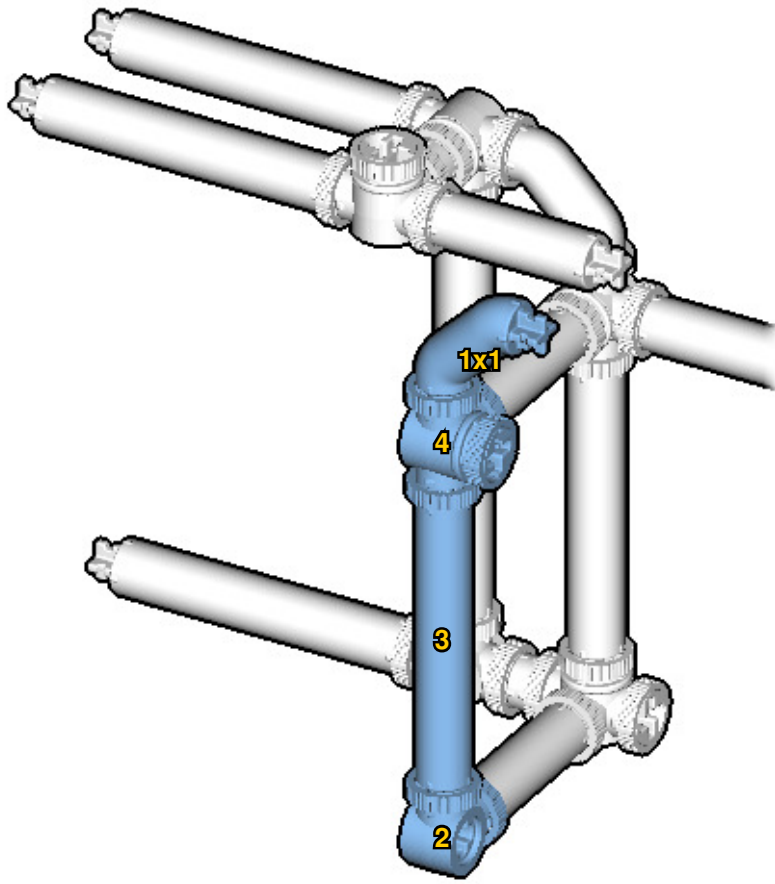
3



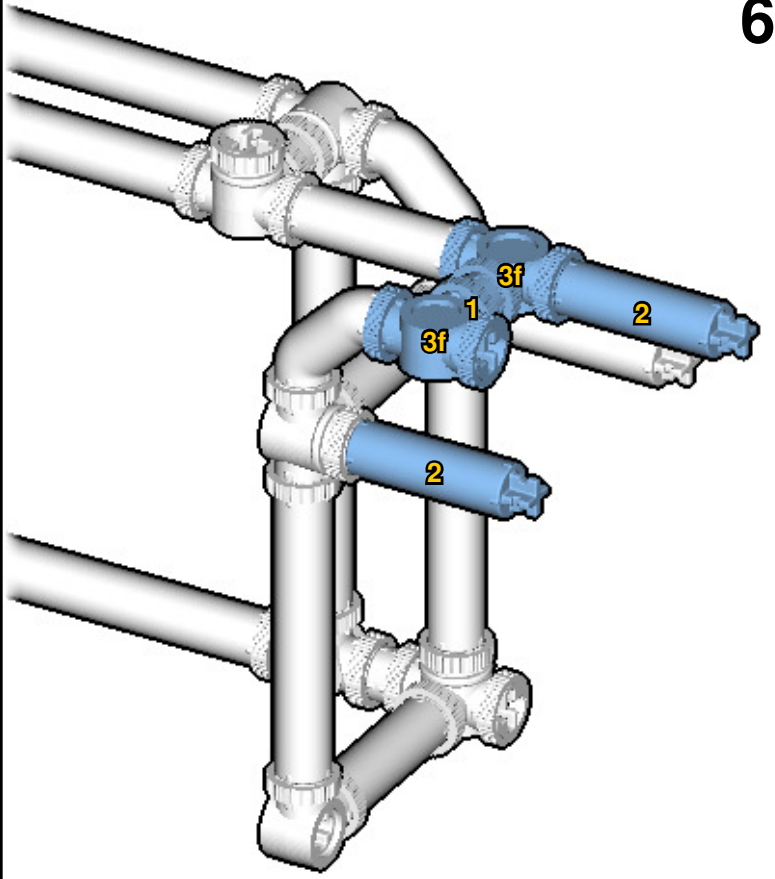
4



5



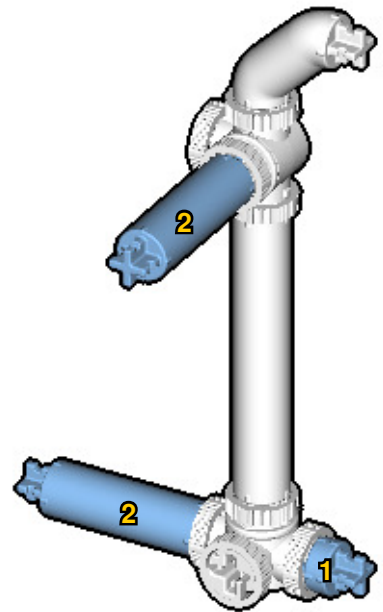
6



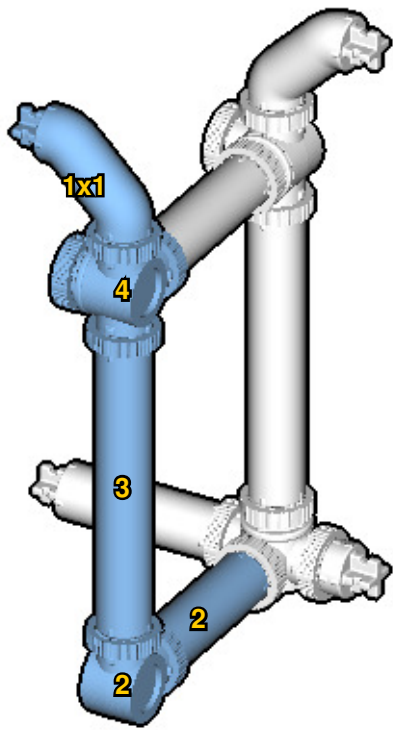
Submodel begins → 7



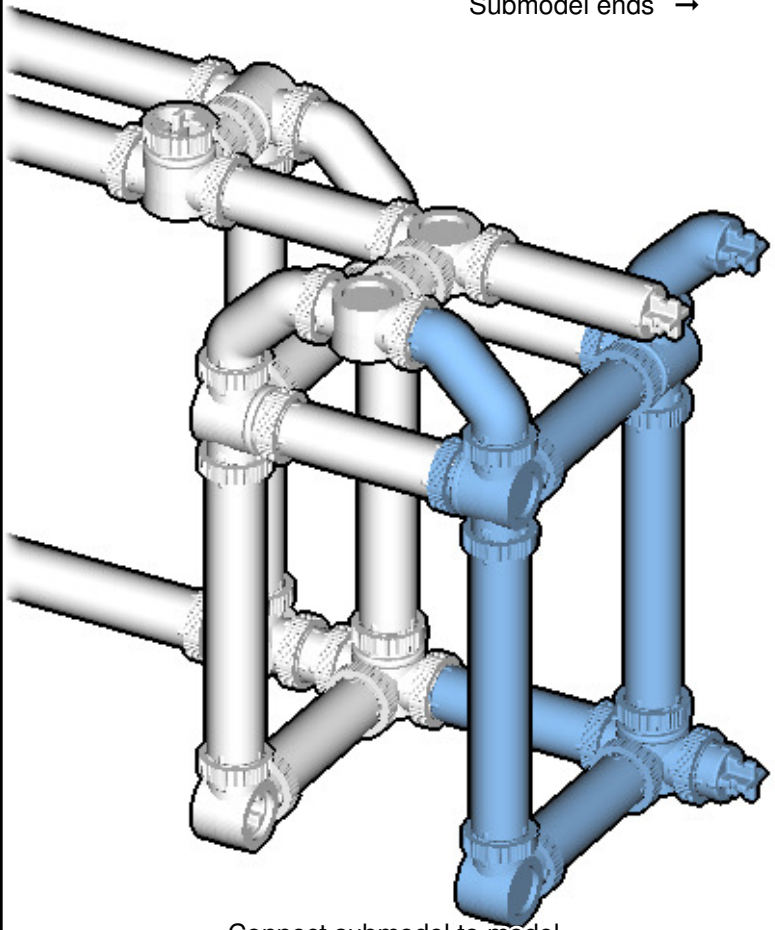
8



9

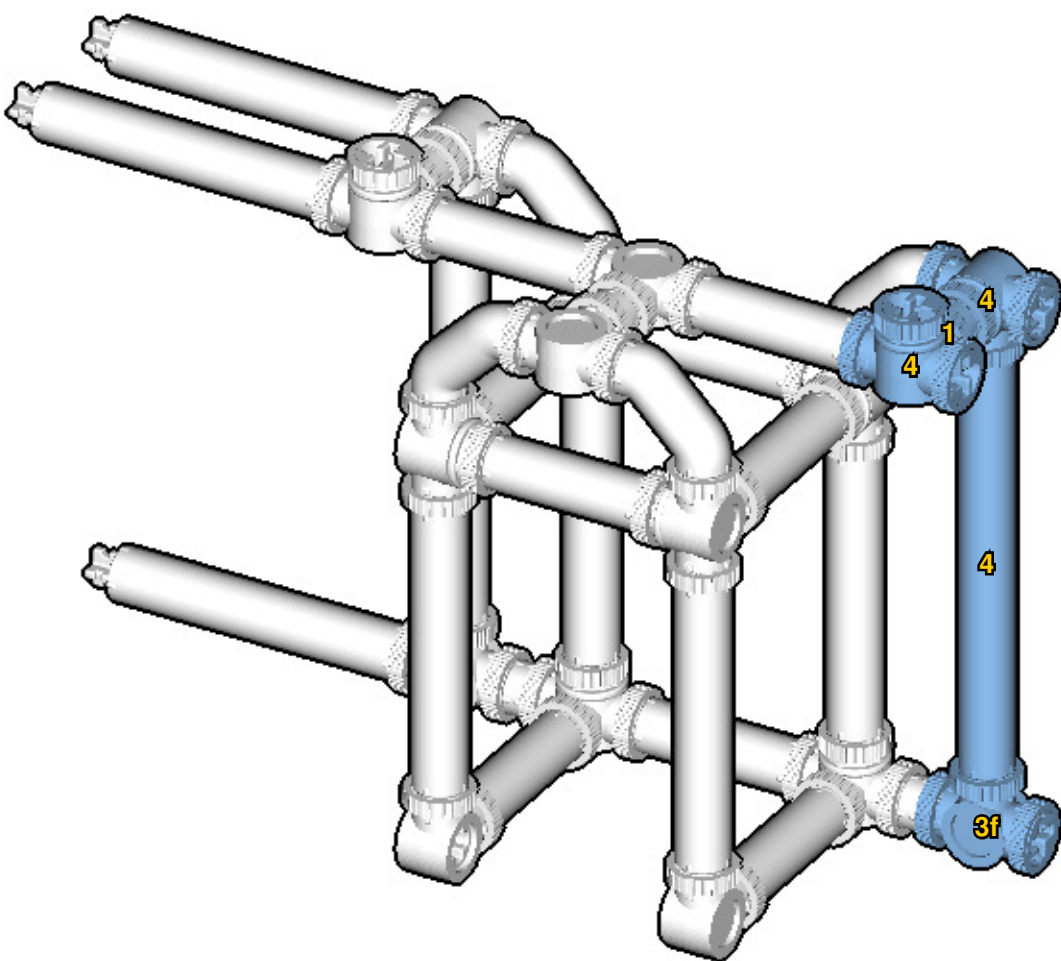


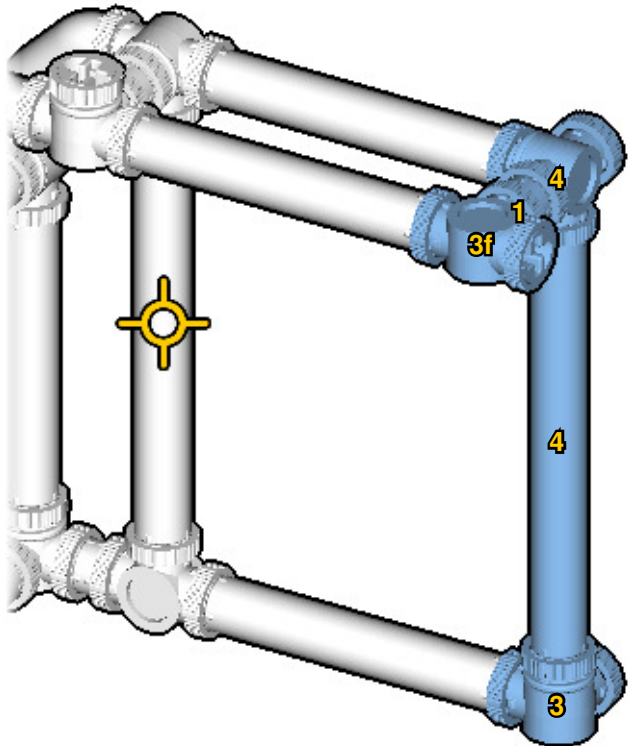
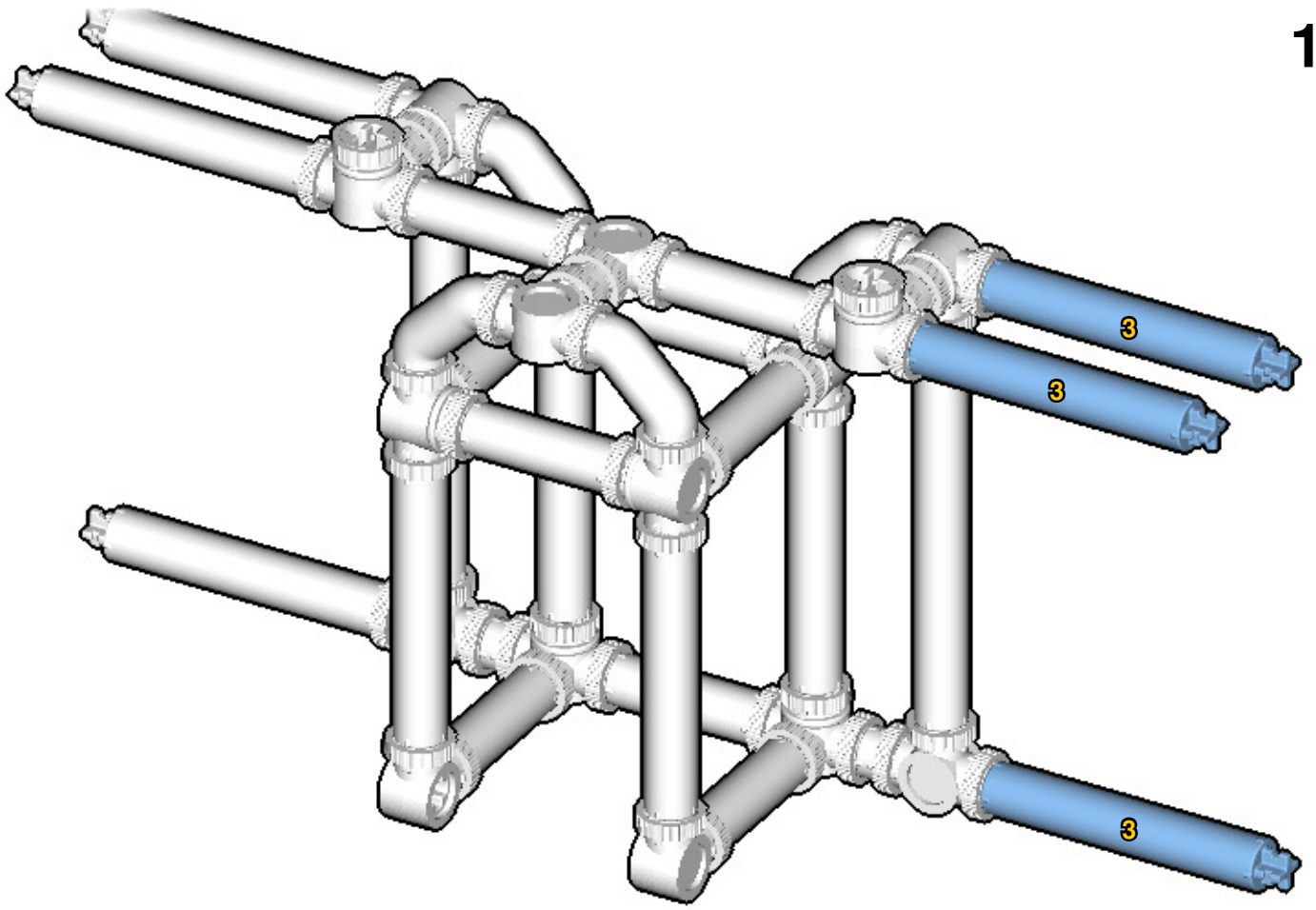
Submodel ends → 10



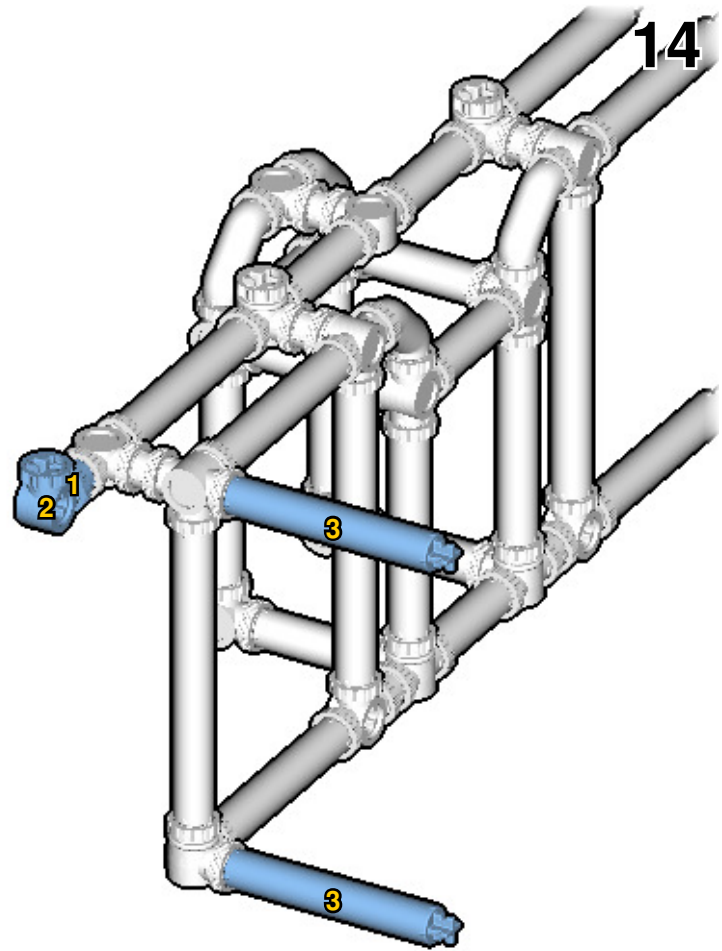
Connect submodel to model.

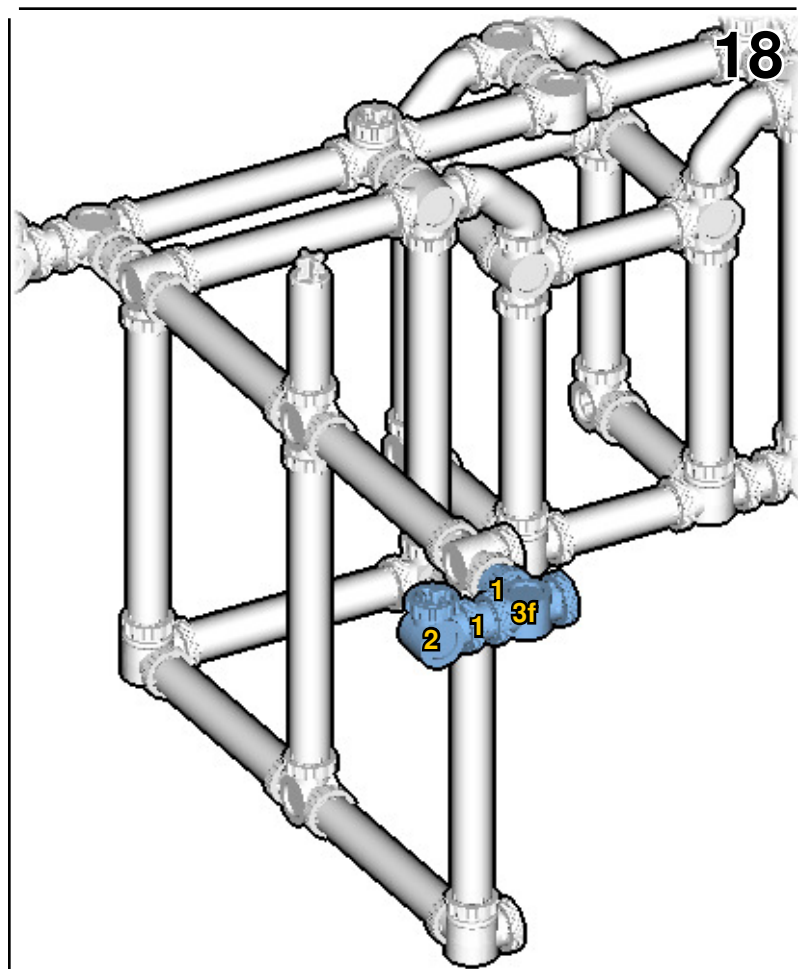
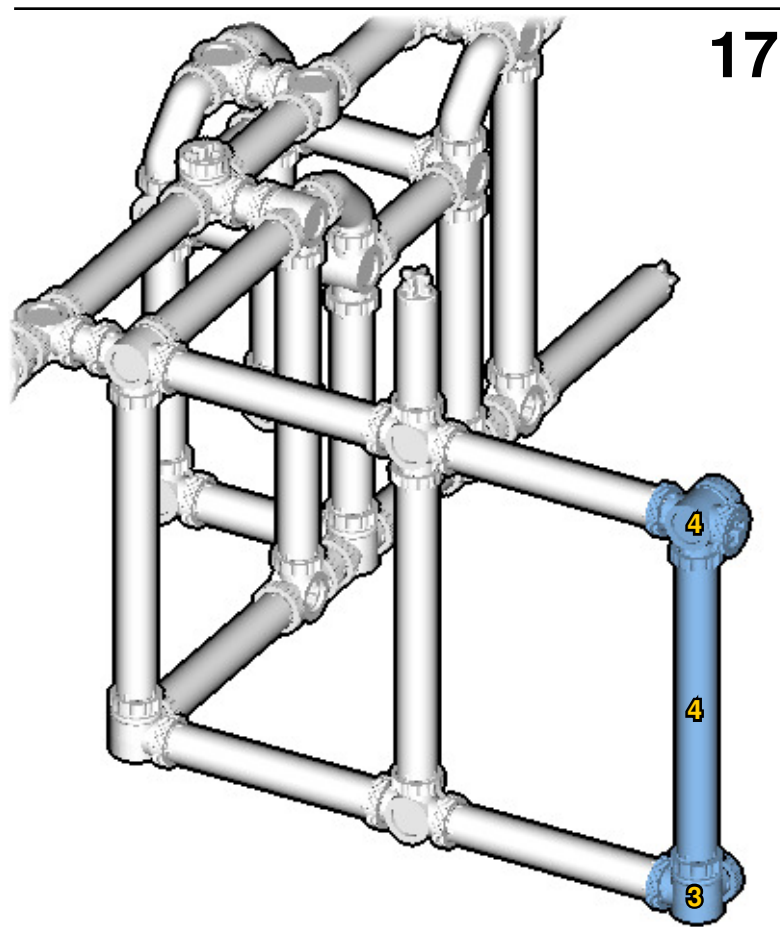
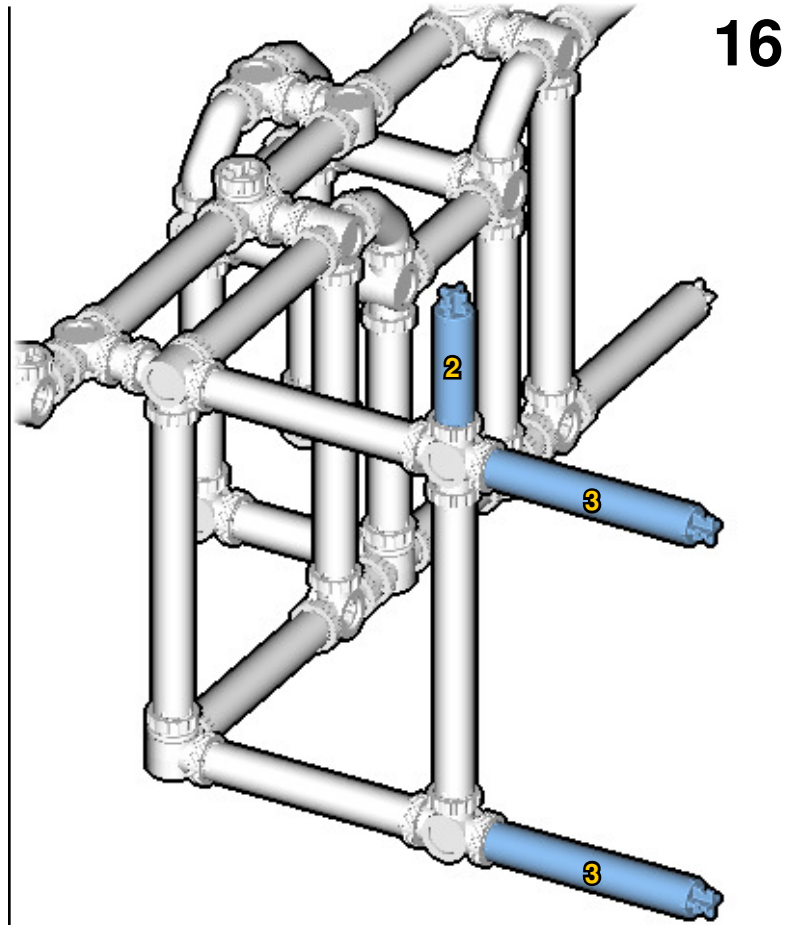
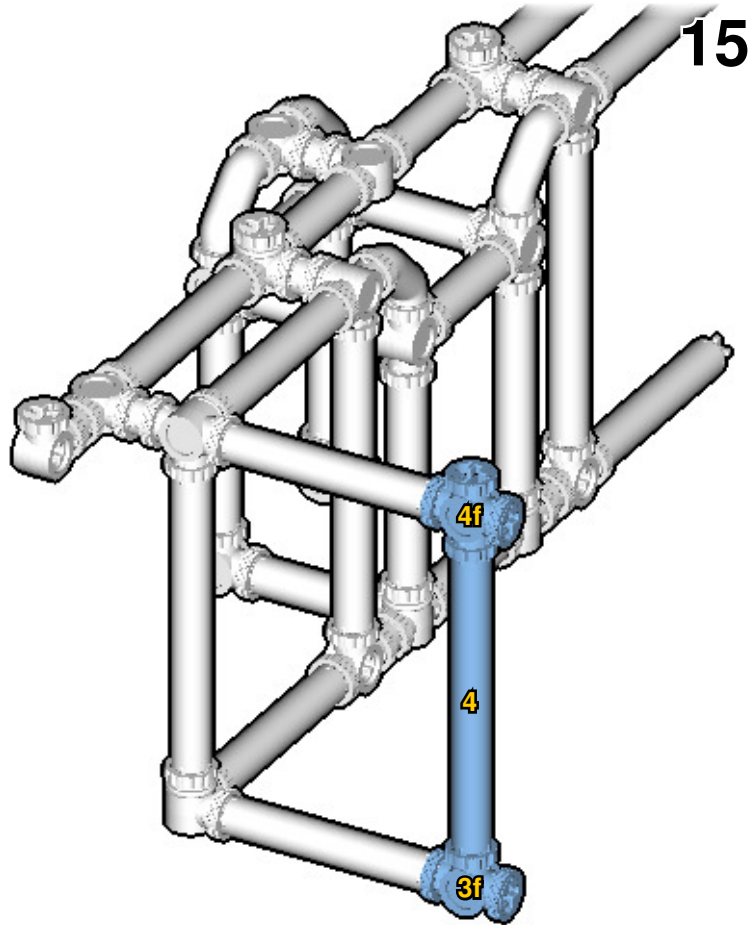
11

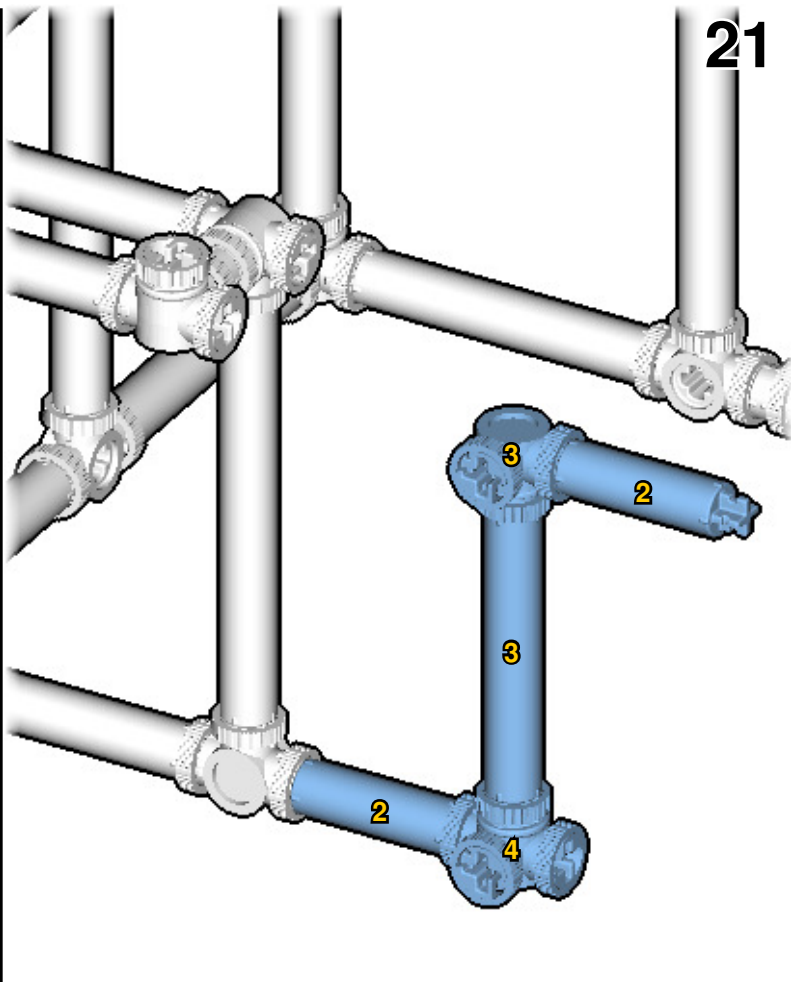
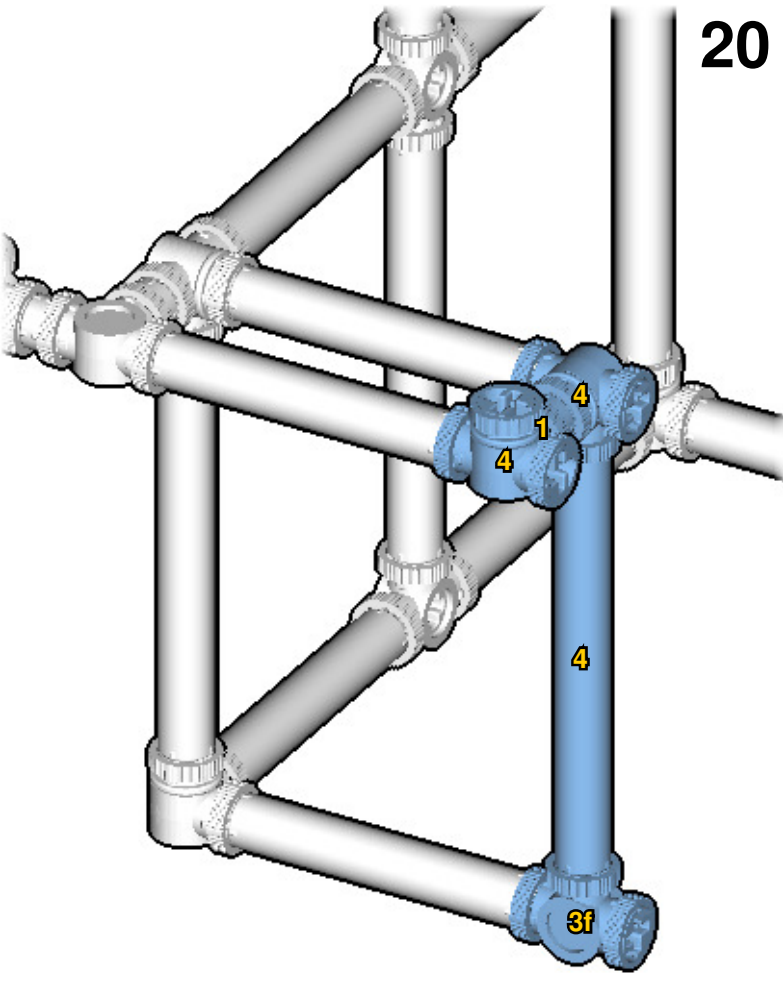
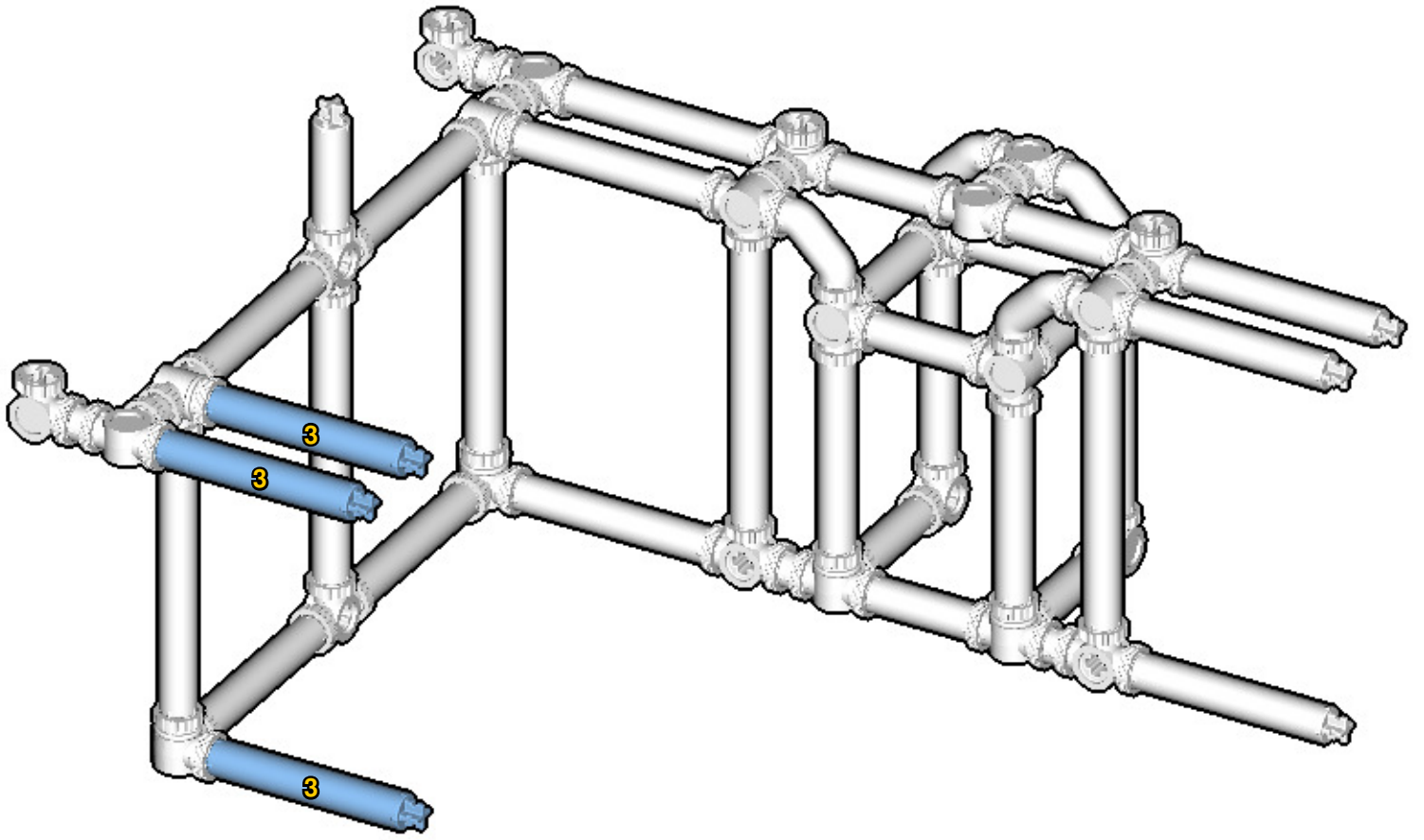




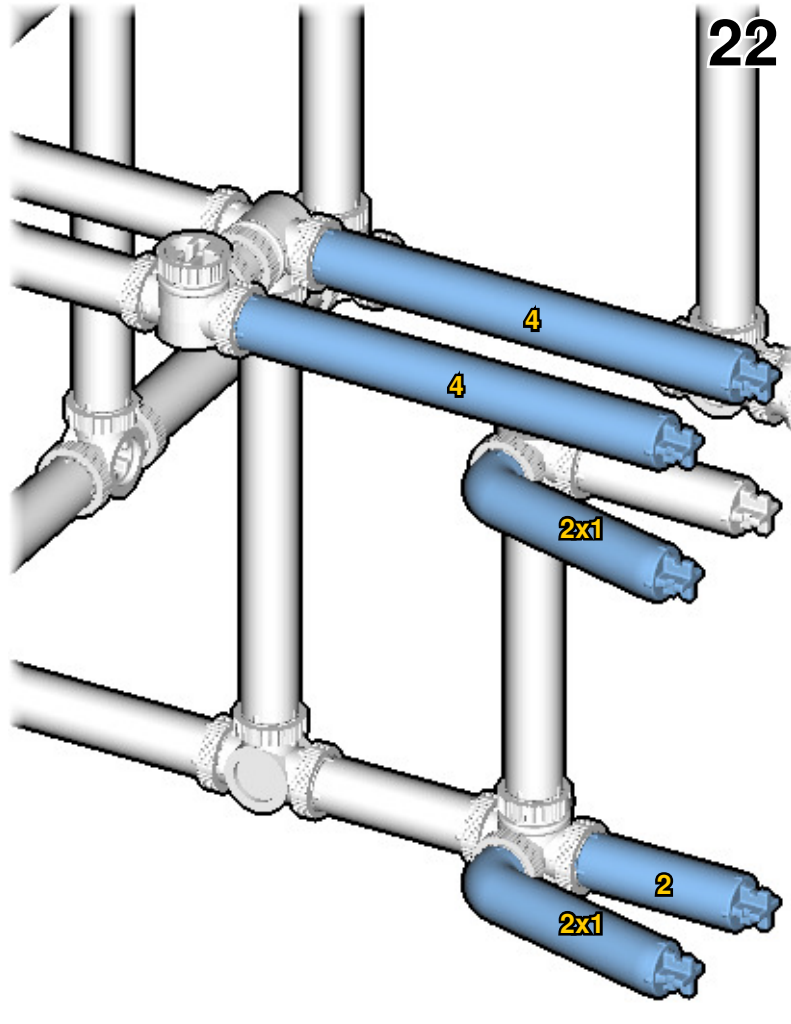
✚ : The next frame is centered on this piece.



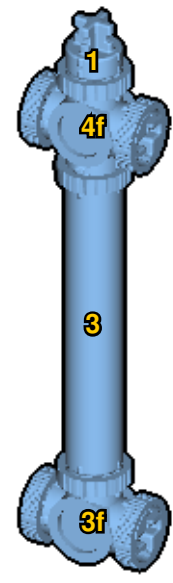




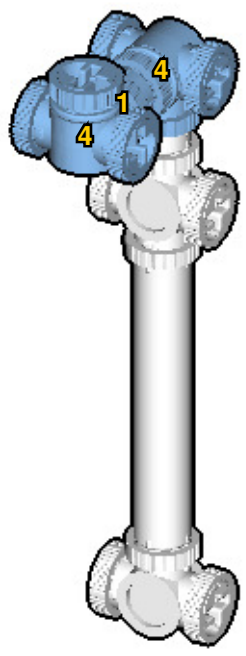
22



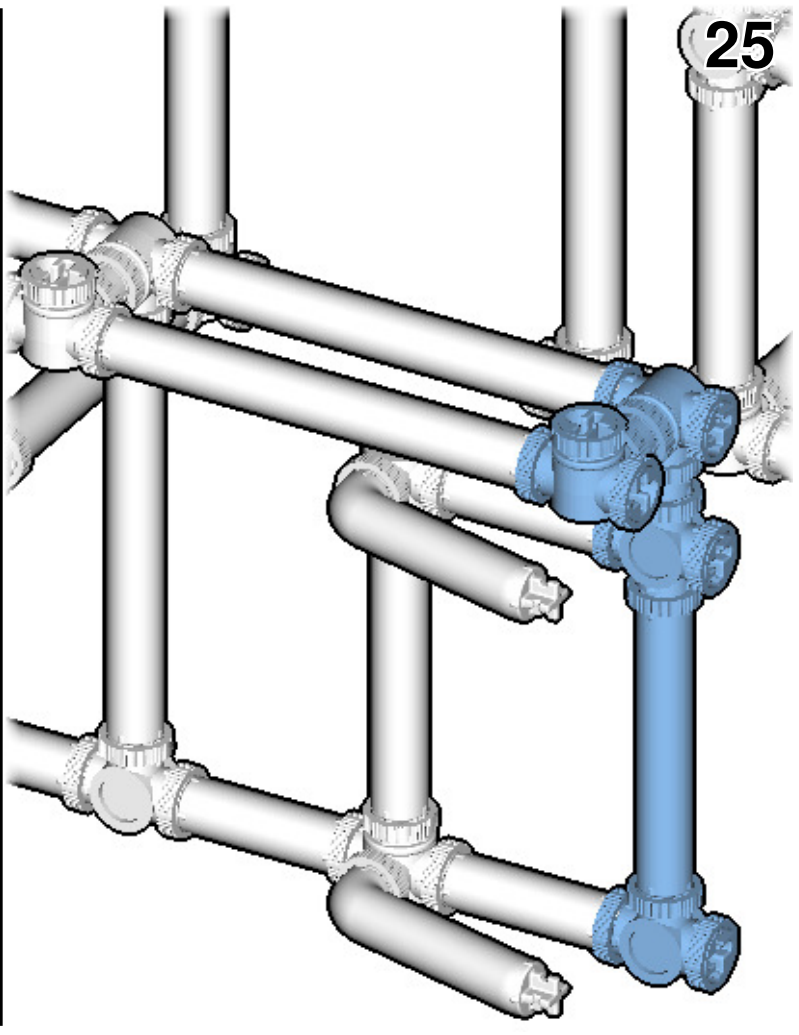
23



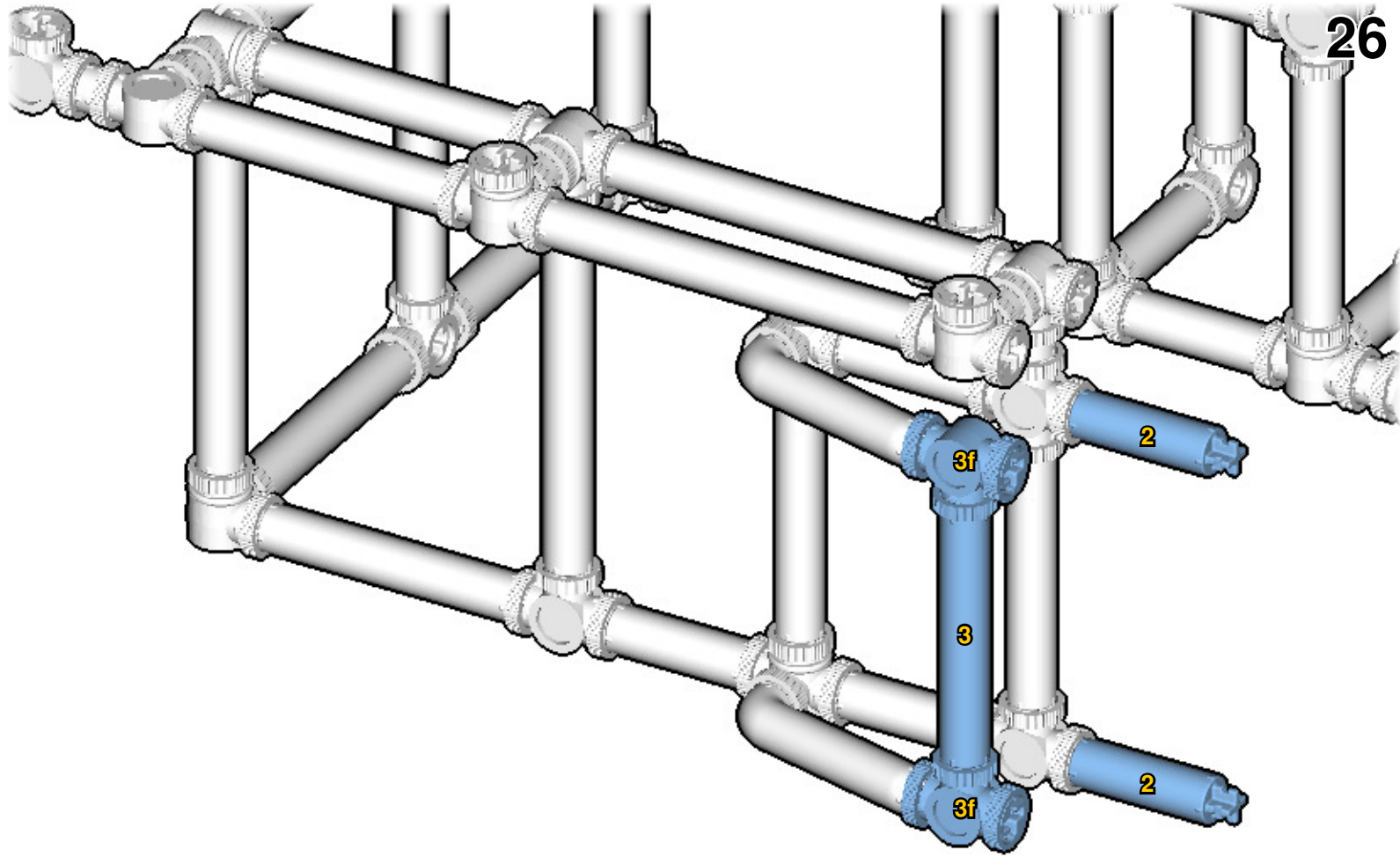
24



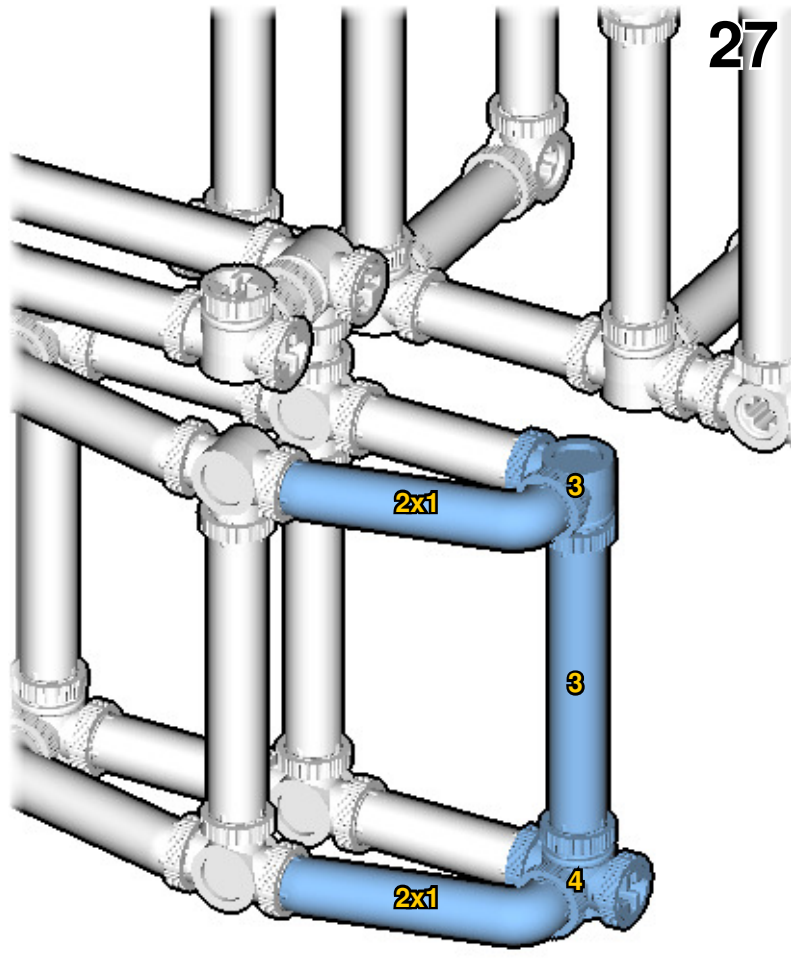
25



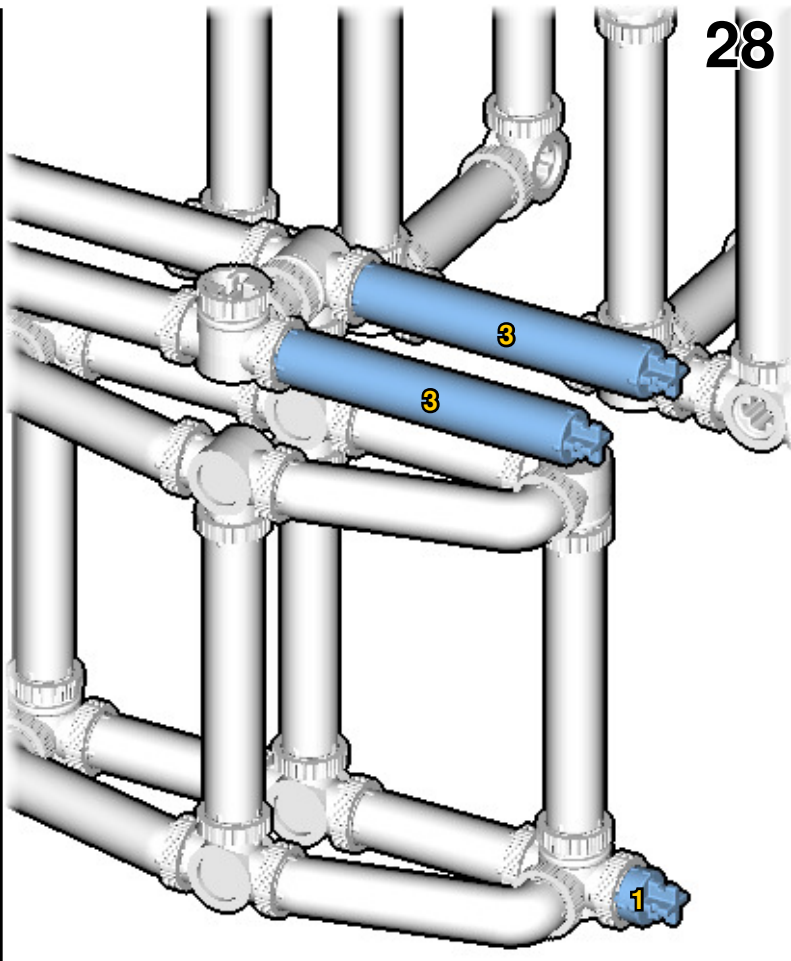
26



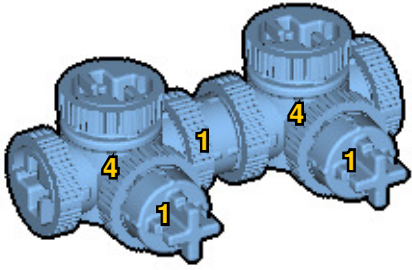
27



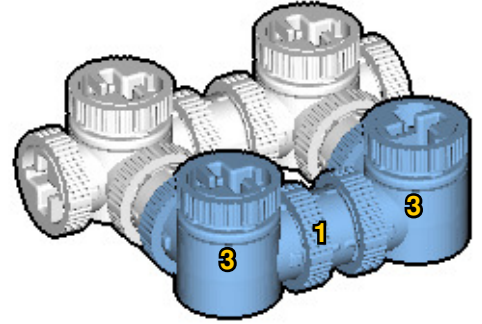
28



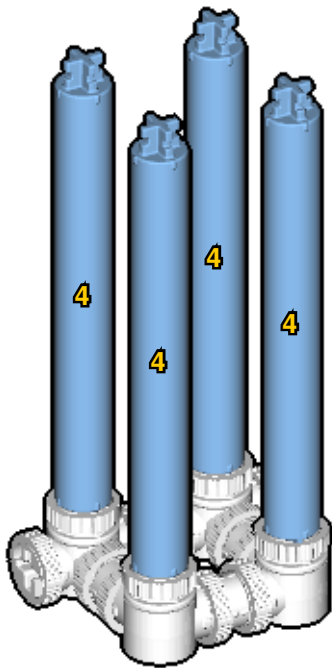
29



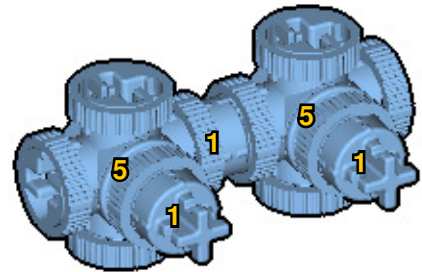
30



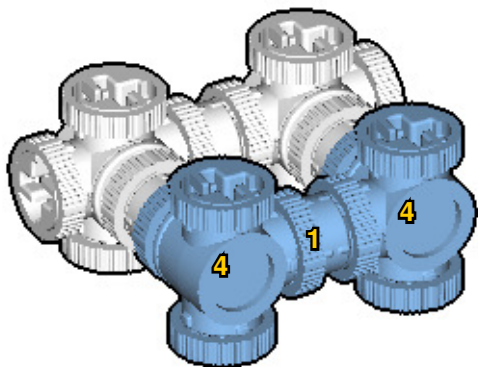
31



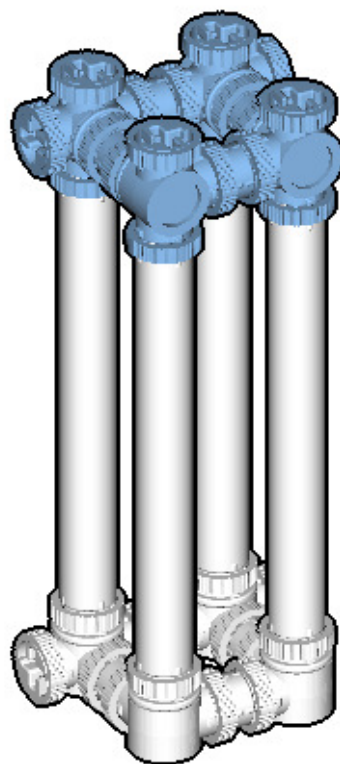
32



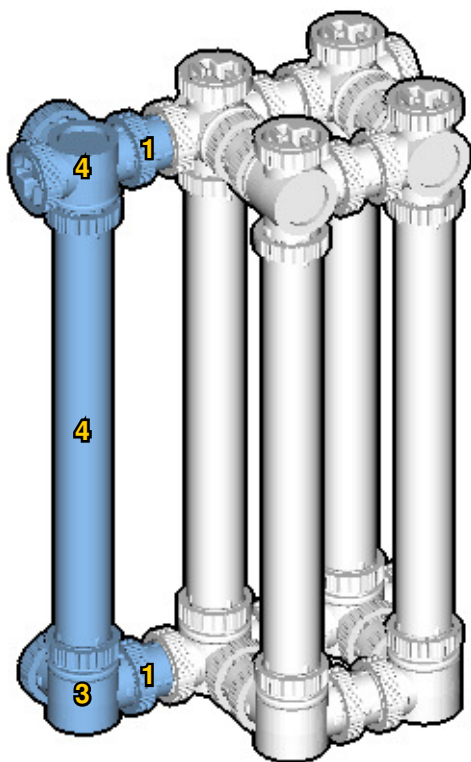
33



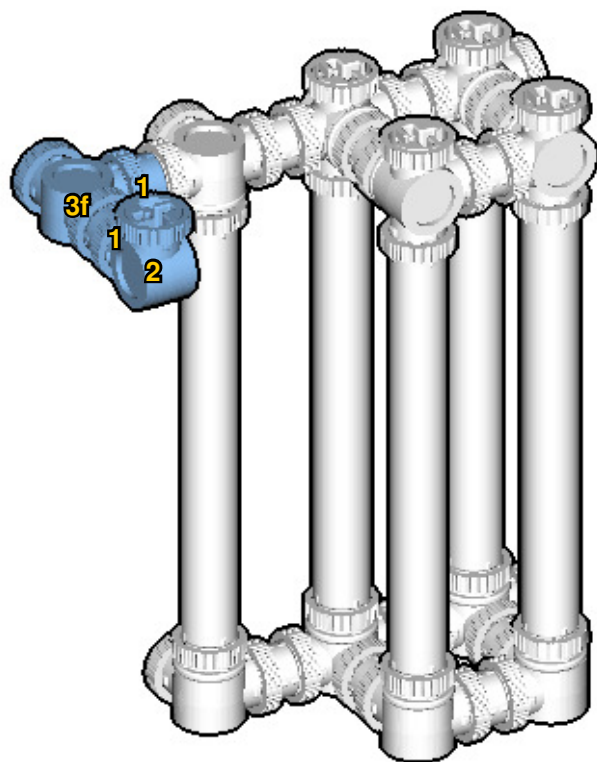
34



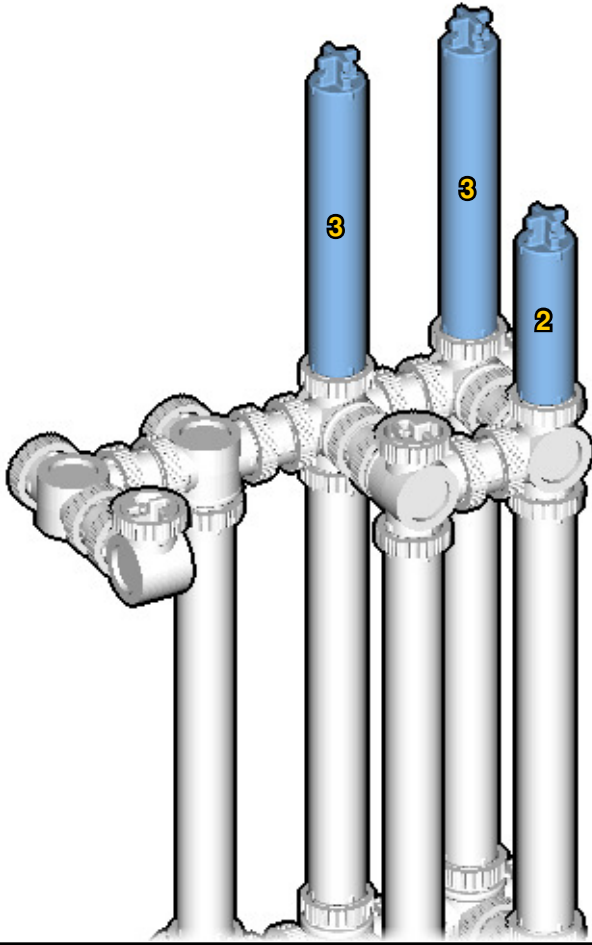
35



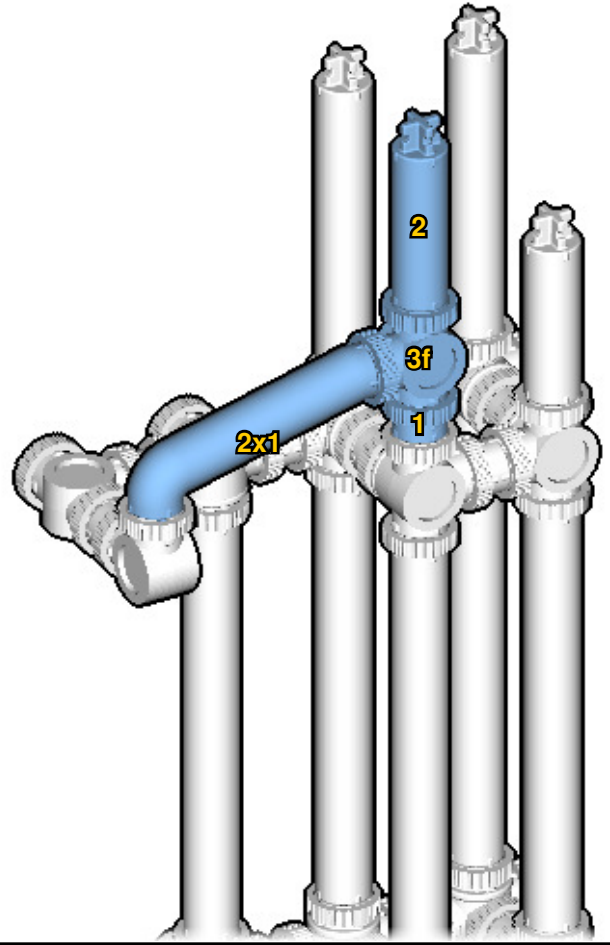
36



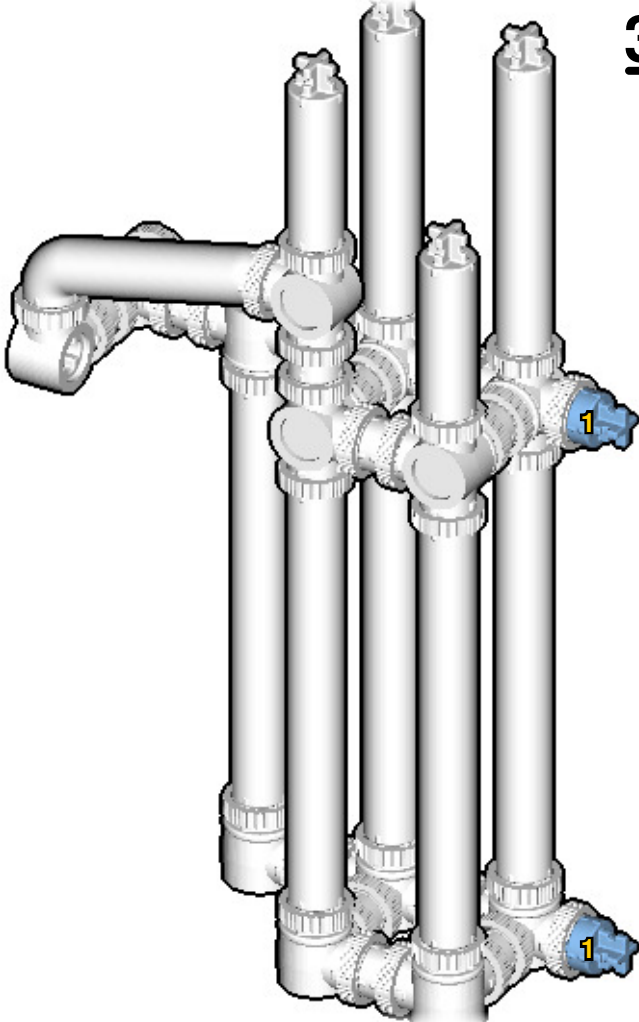
37



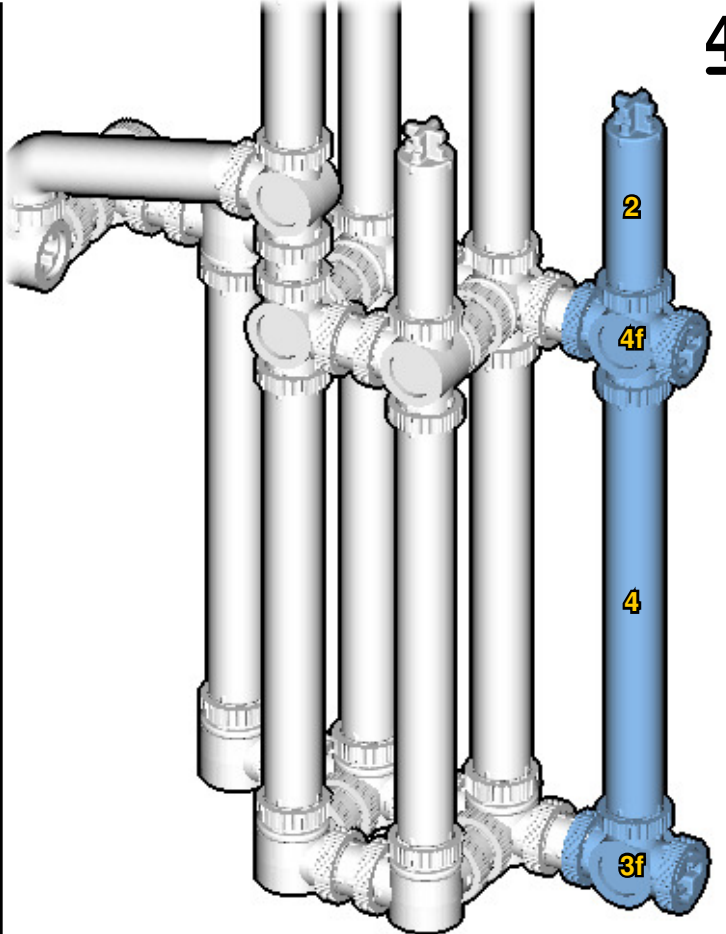
38



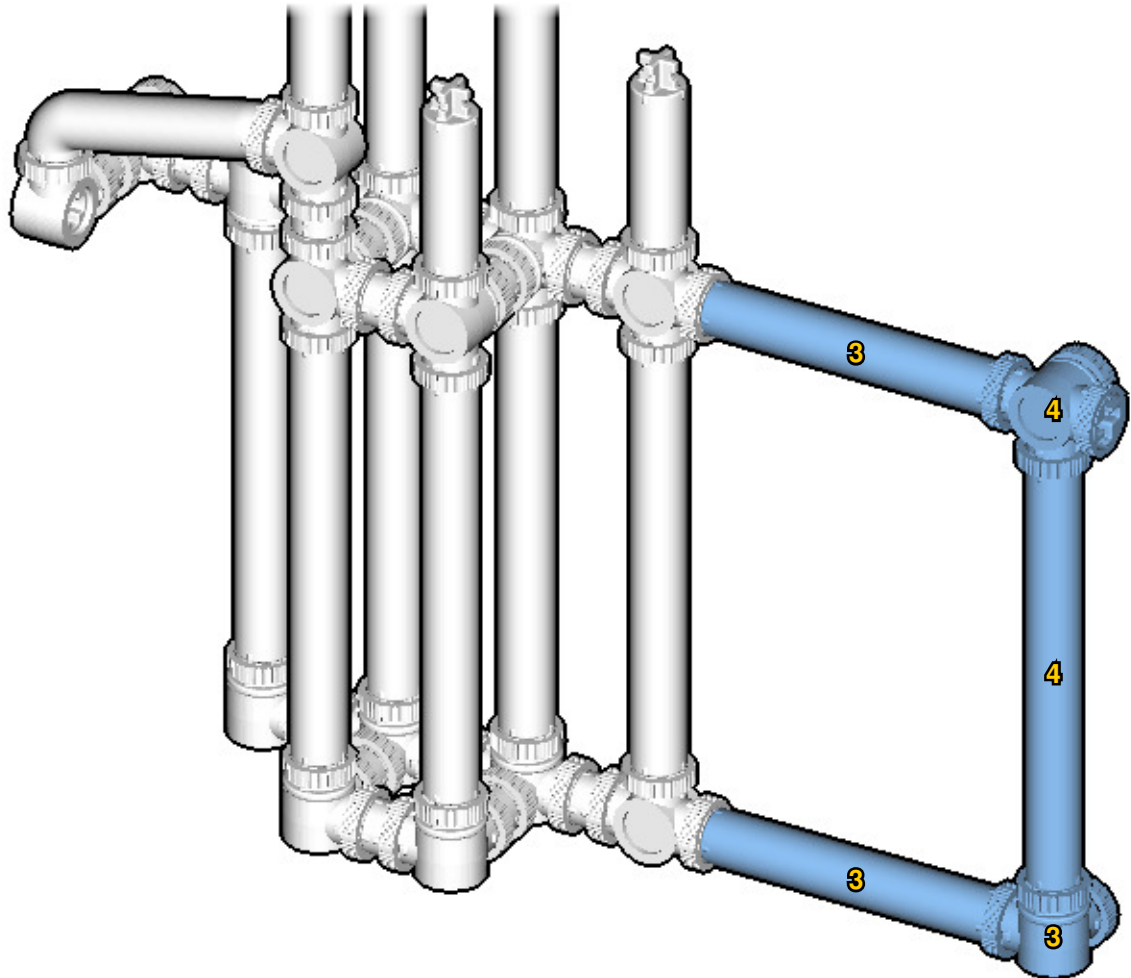
39



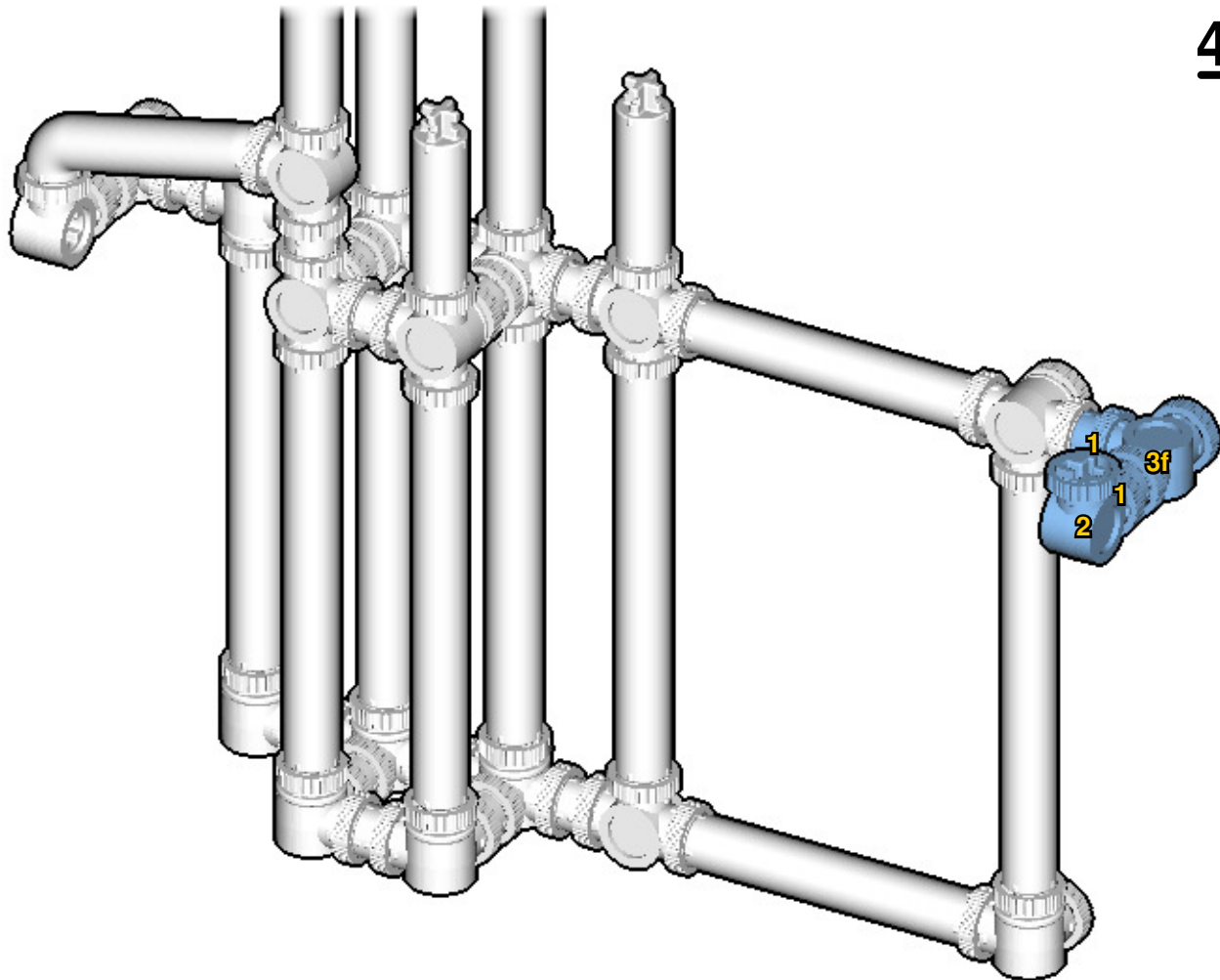
40



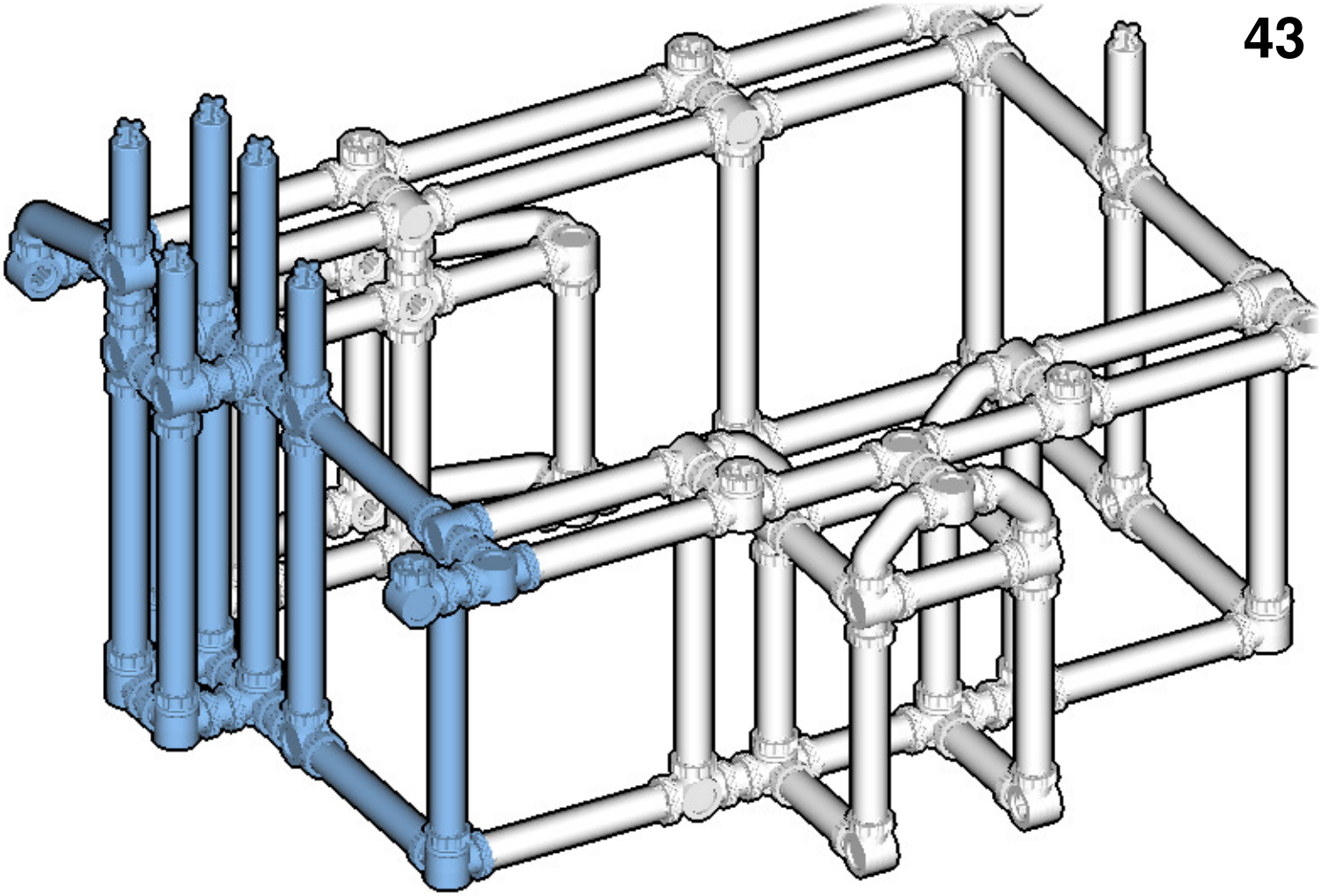
41



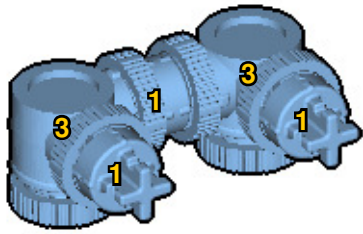
42



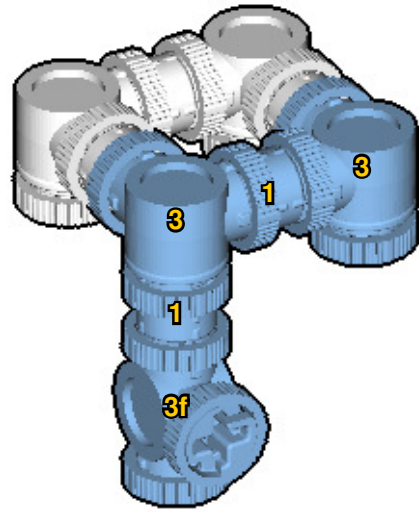
43



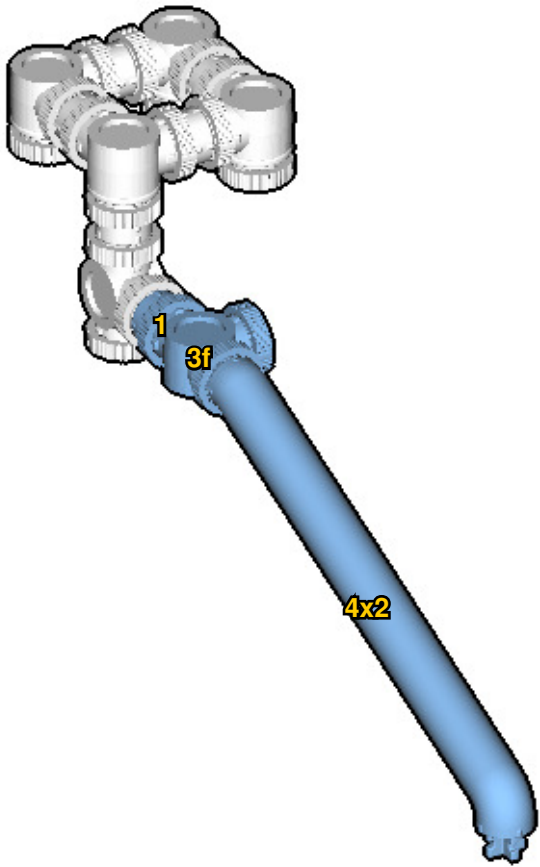
44



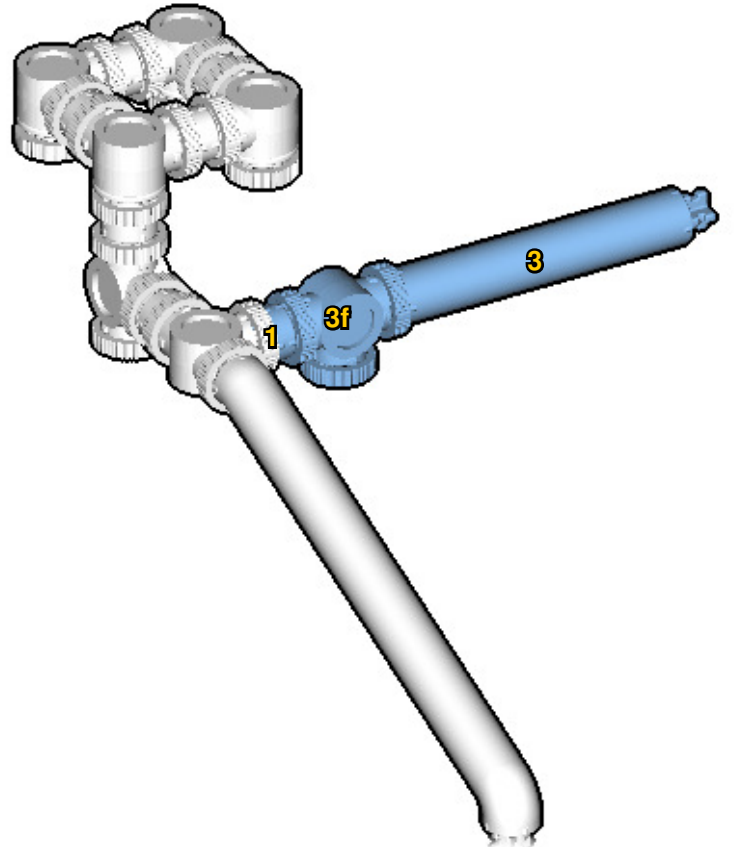
45



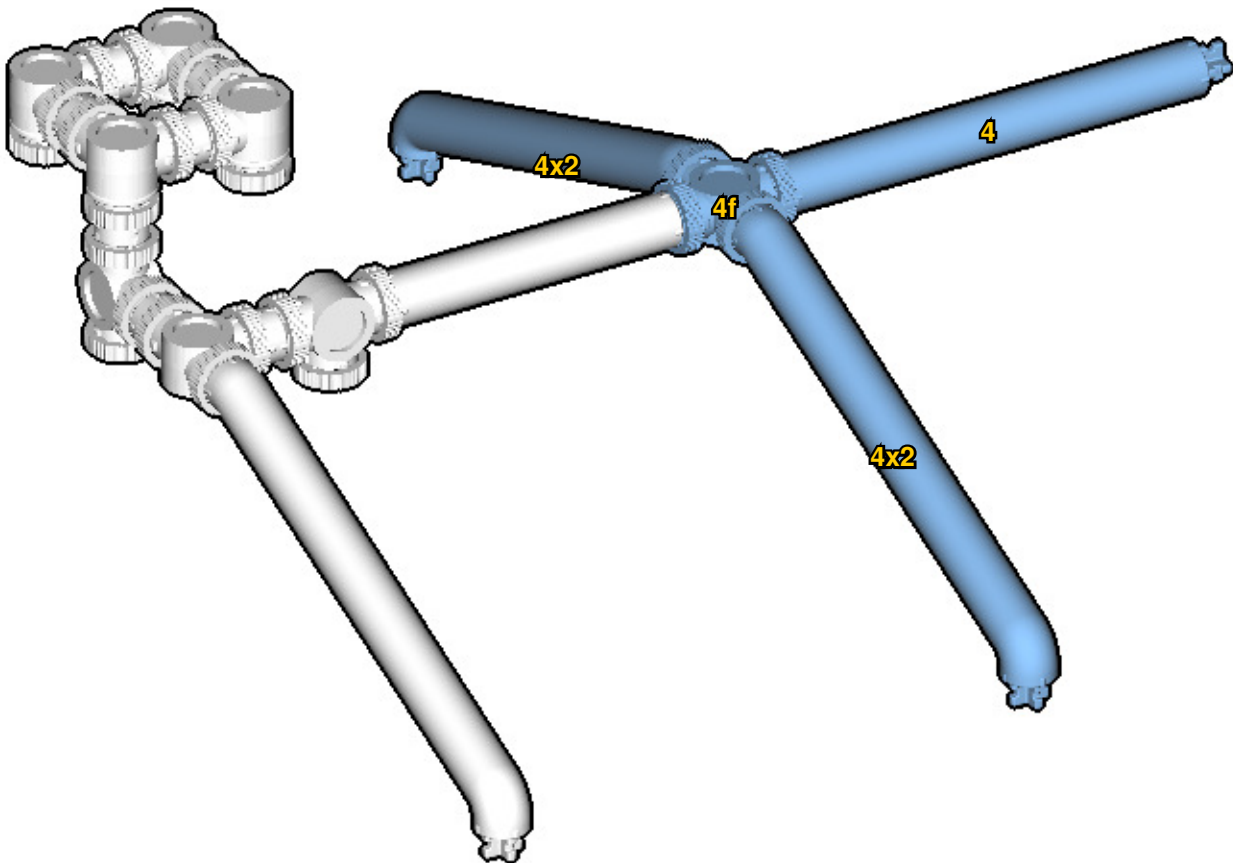
46

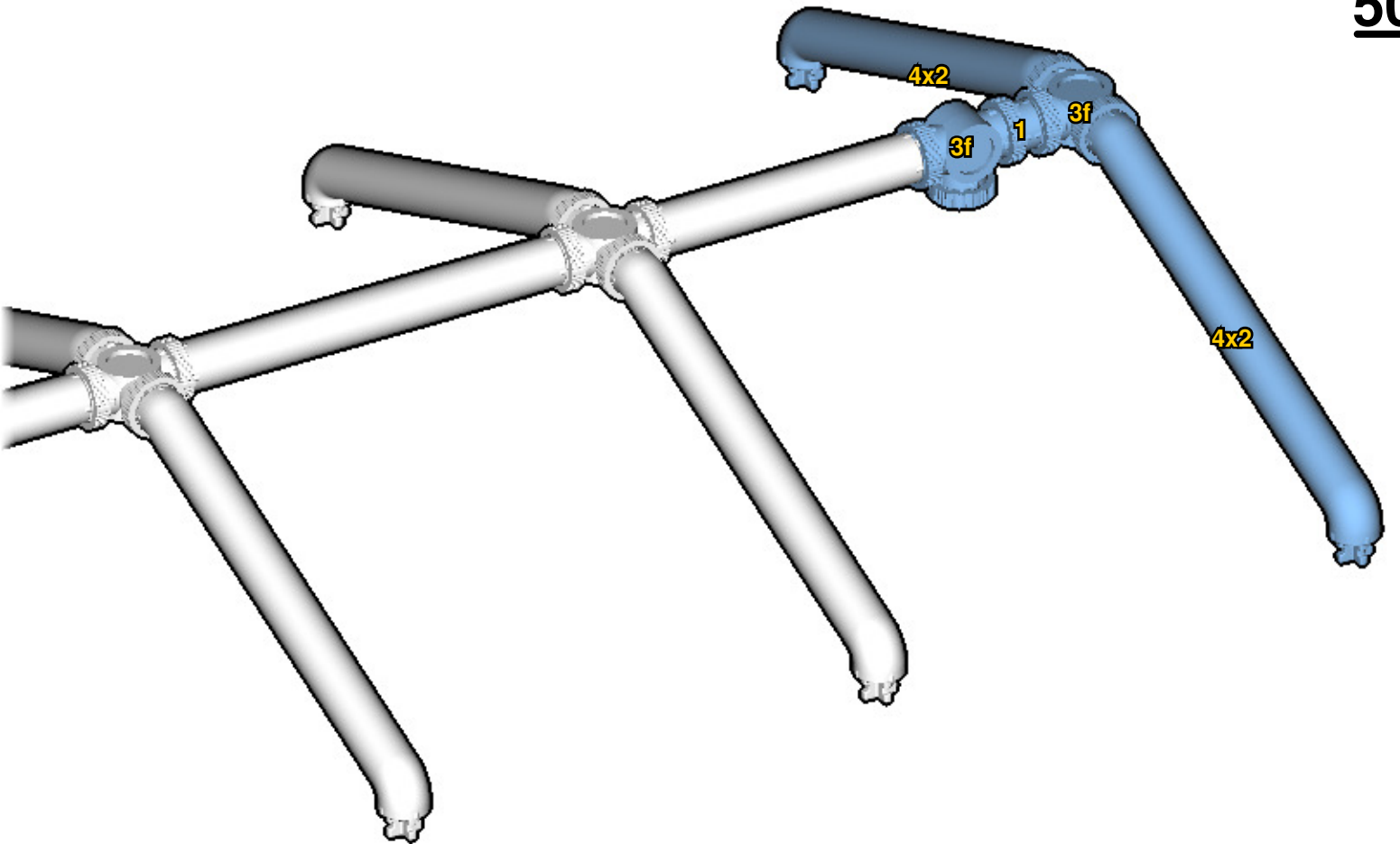
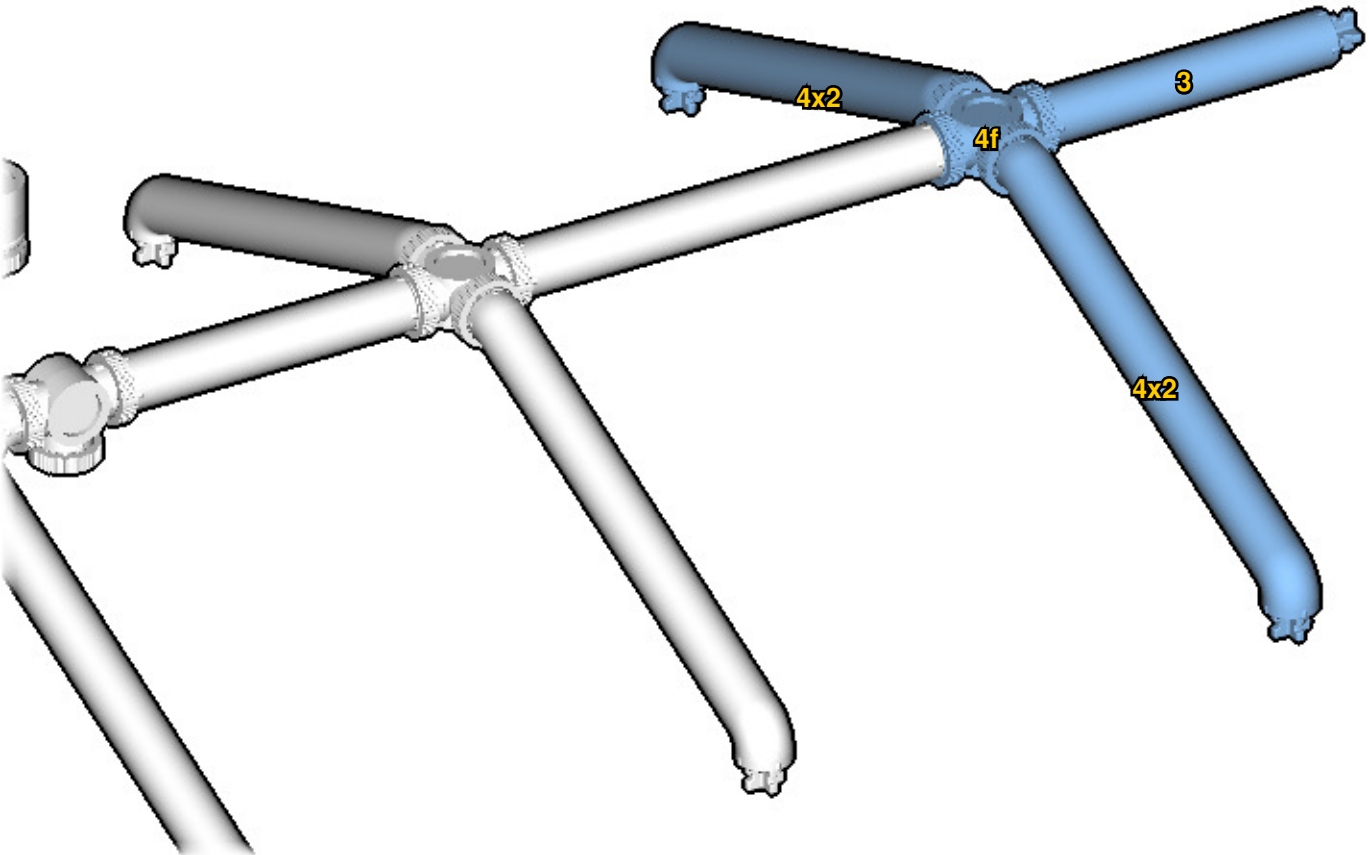


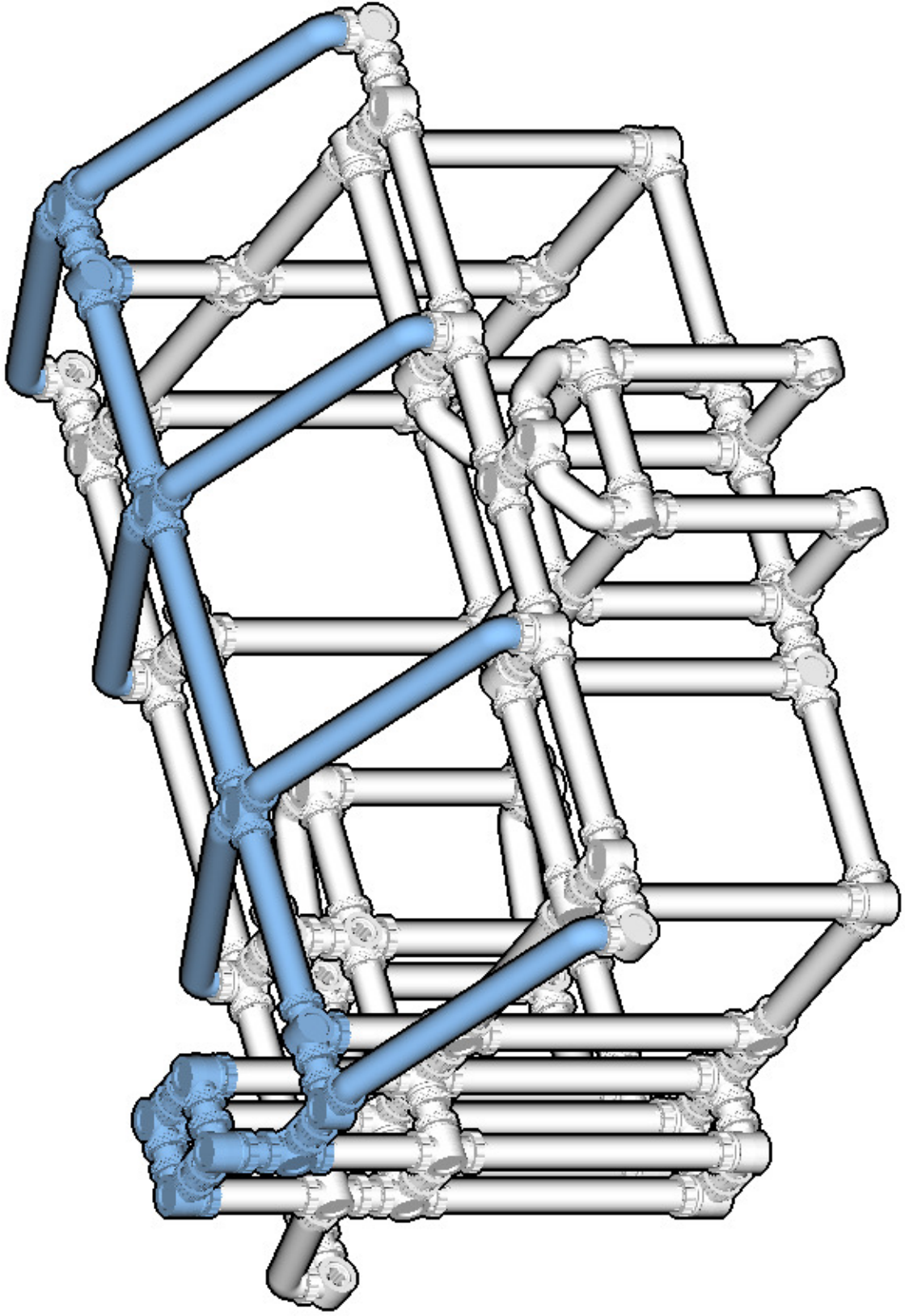
47



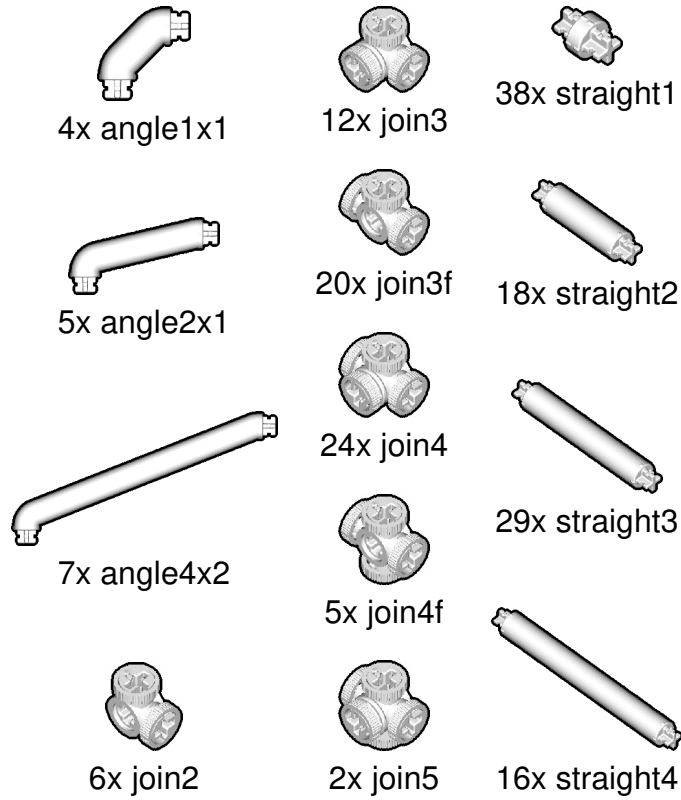
48







INVENTORY



ACTUAL SIZE

