

SIZE	2.8ft x 2.8ft x 0.9ft	PIECES	359
DESIGNER	Derek Sharman	MADE IN	U.S.A.

# JET AIRLINER

⚠ WARNING: Small parts. Age 14+. Not a toy. Handle responsibly. U.S. Patent 9,086,087.

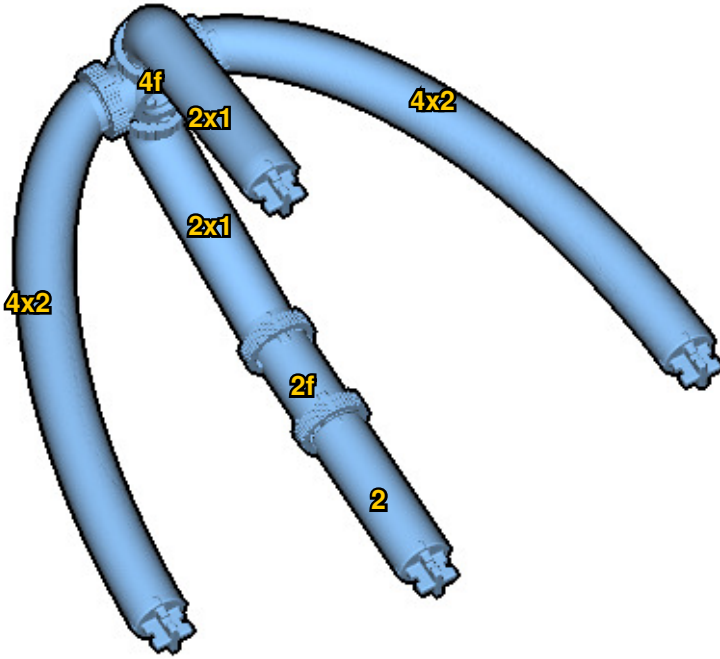


Wrong  
Connecting/Disconnecting Two Directions



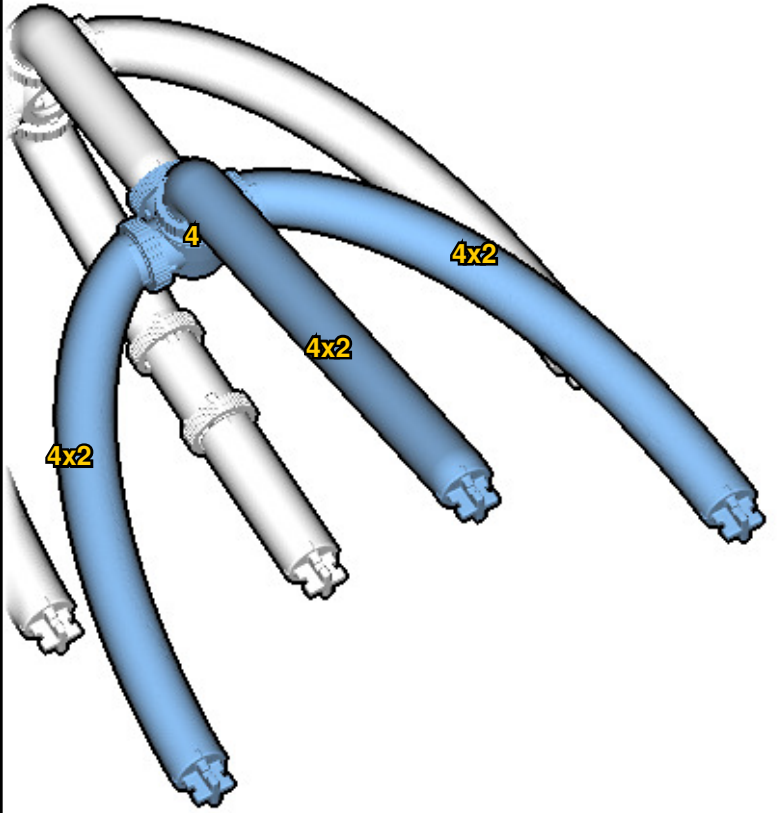
Right  
Connecting/Disconnecting One Direction

1



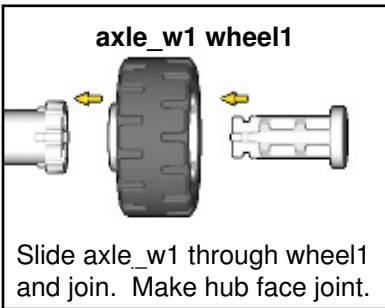
New pieces are drawn blue. Old pieces are drawn white.  
See back for piece names.

2

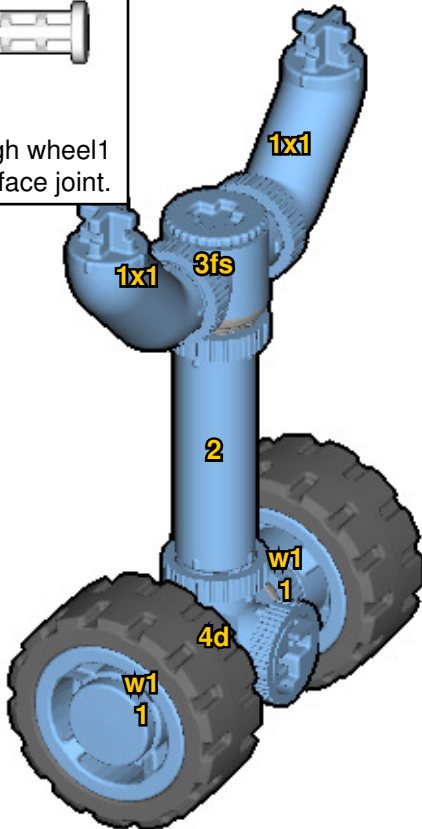


Connect new pieces together before connecting to old pieces.

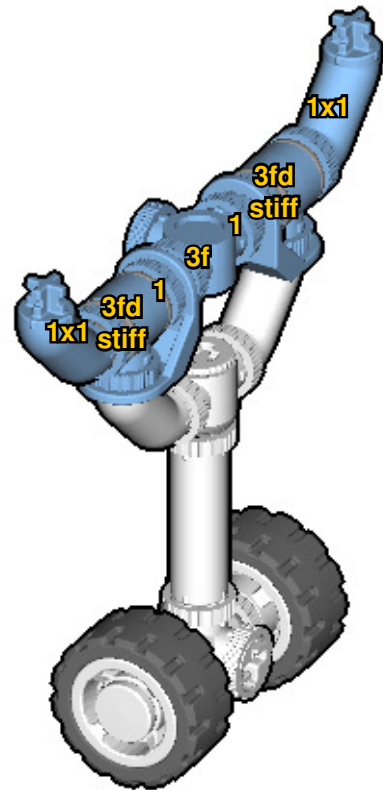
3



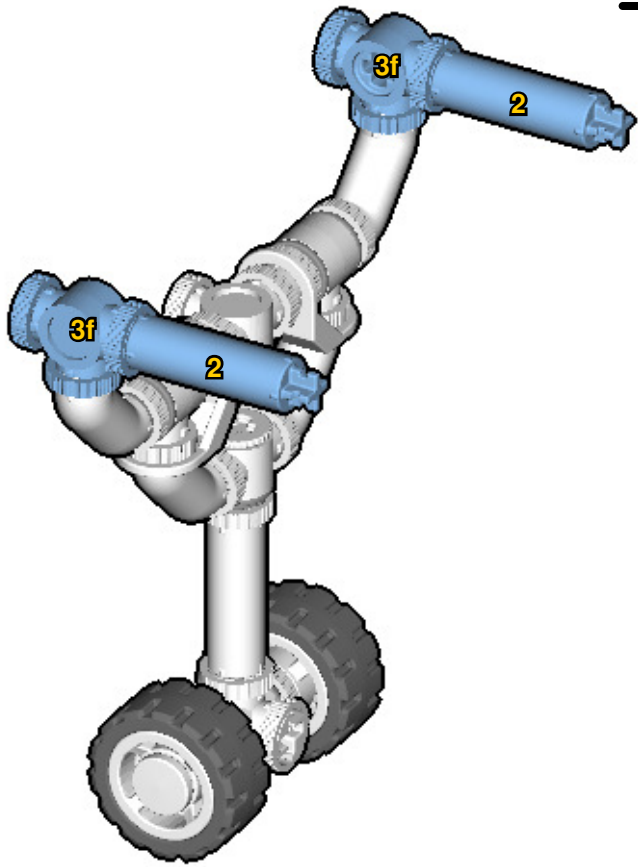
Submodel begins →



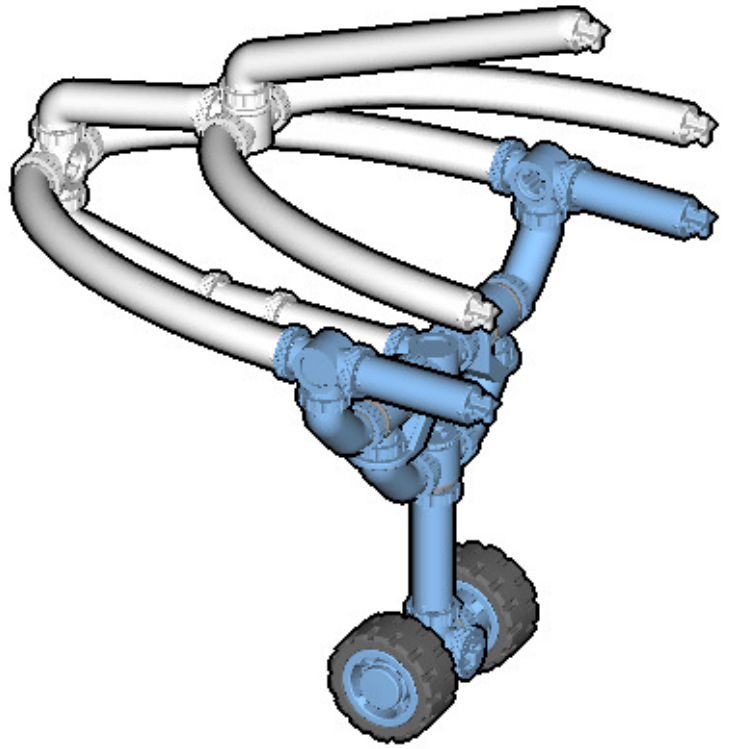
4



5

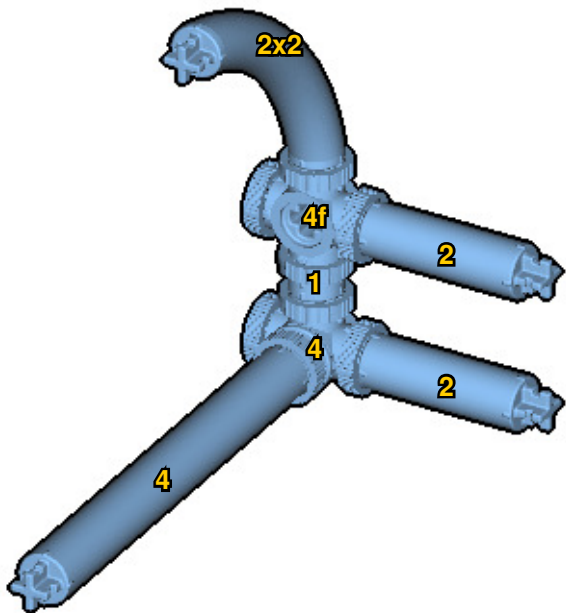


Submodel ends → 6

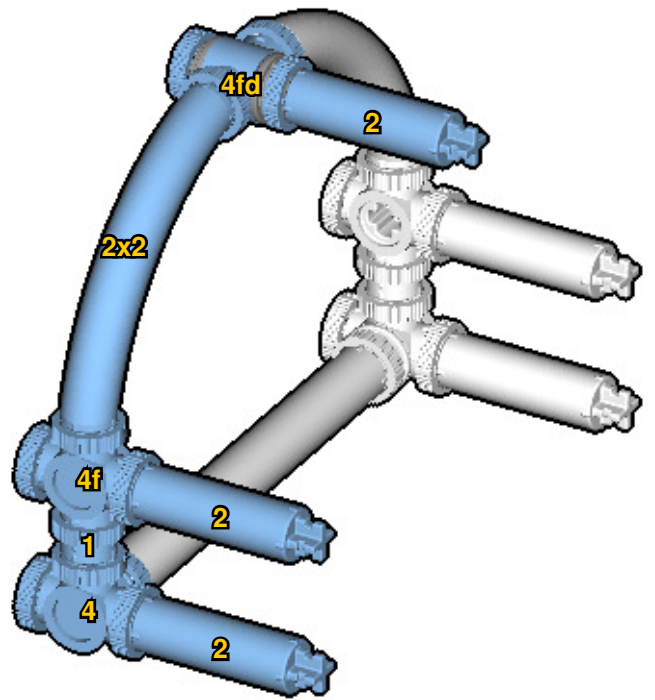


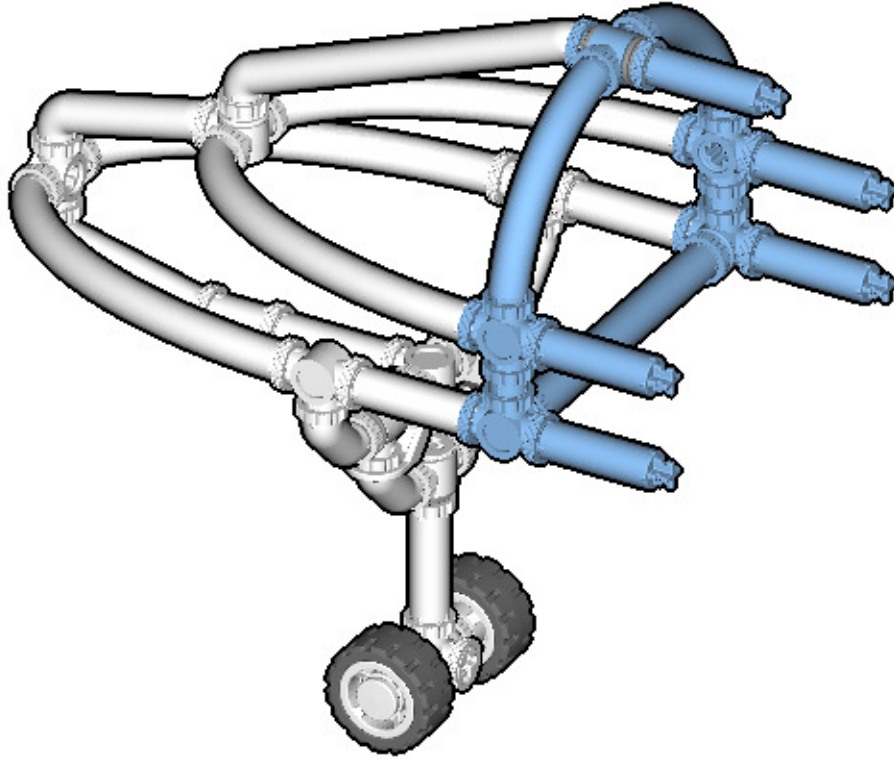
Connect submodel to model.

7



8

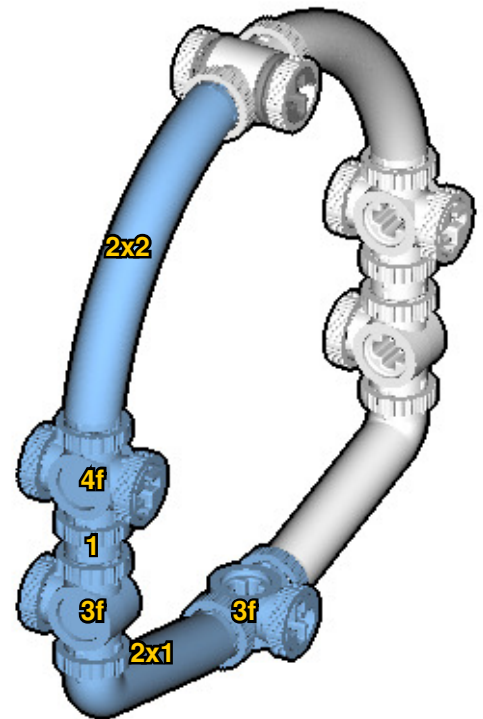


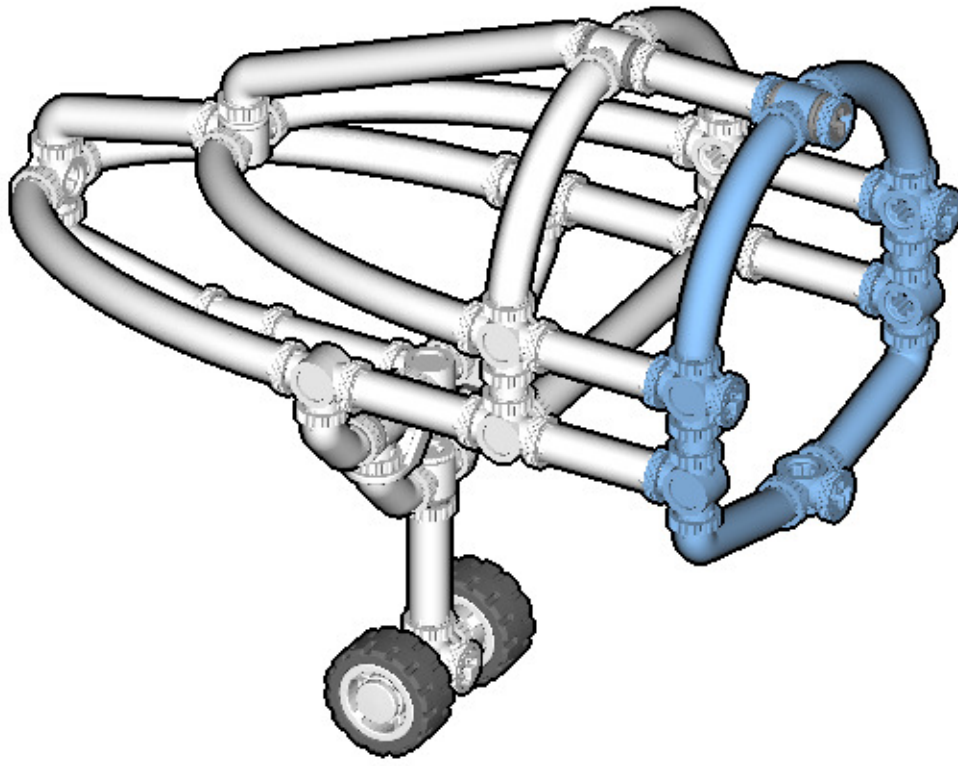


10

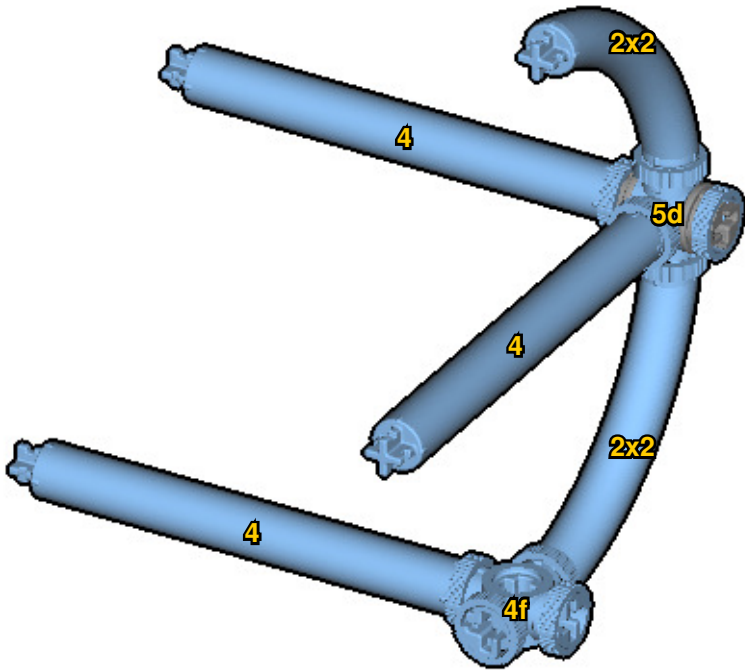


11

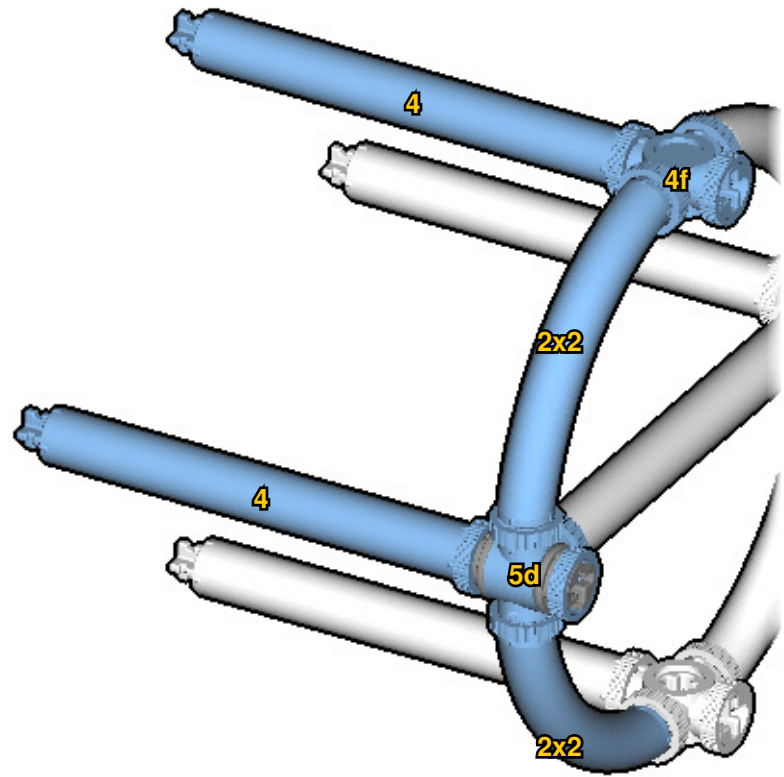


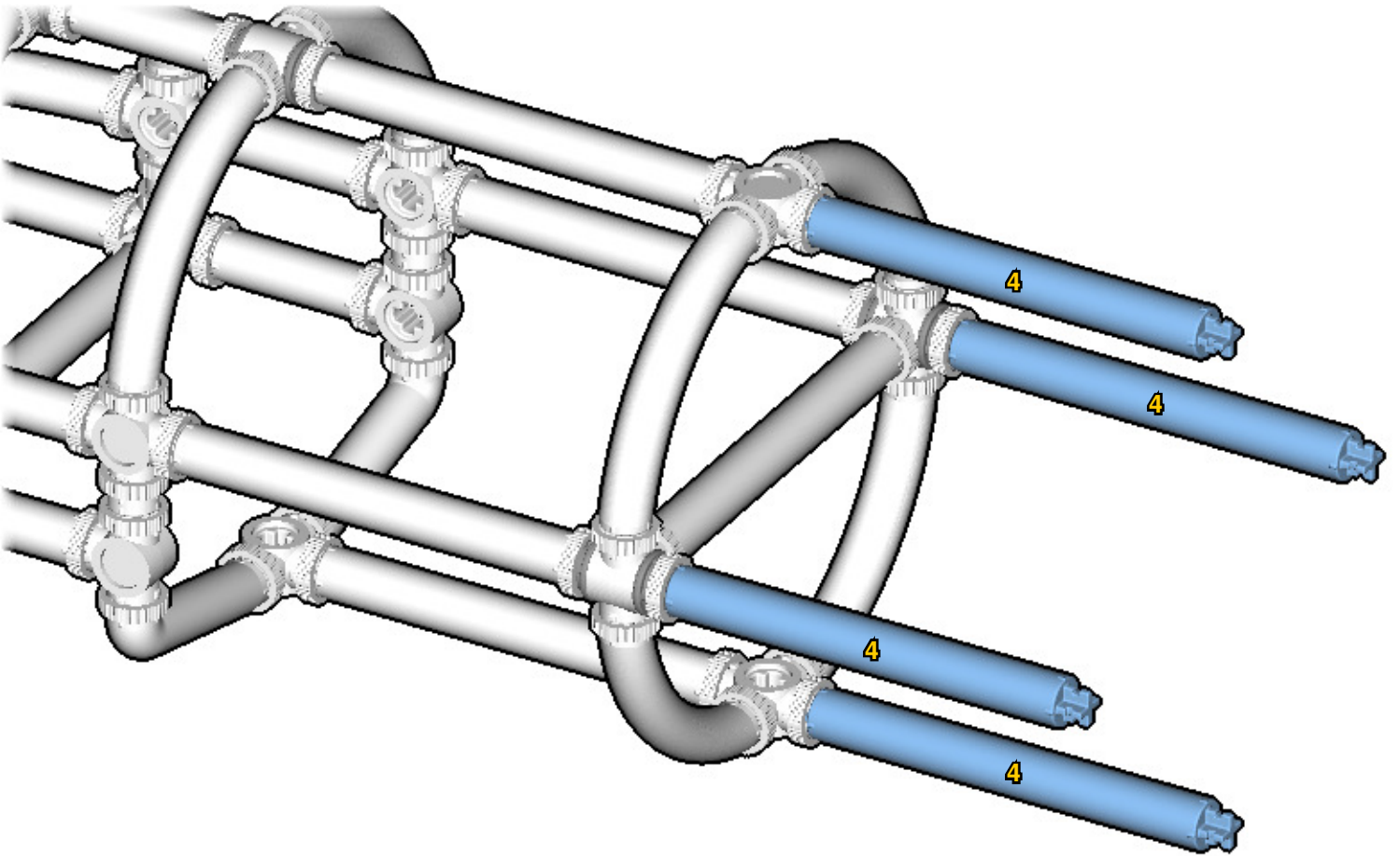
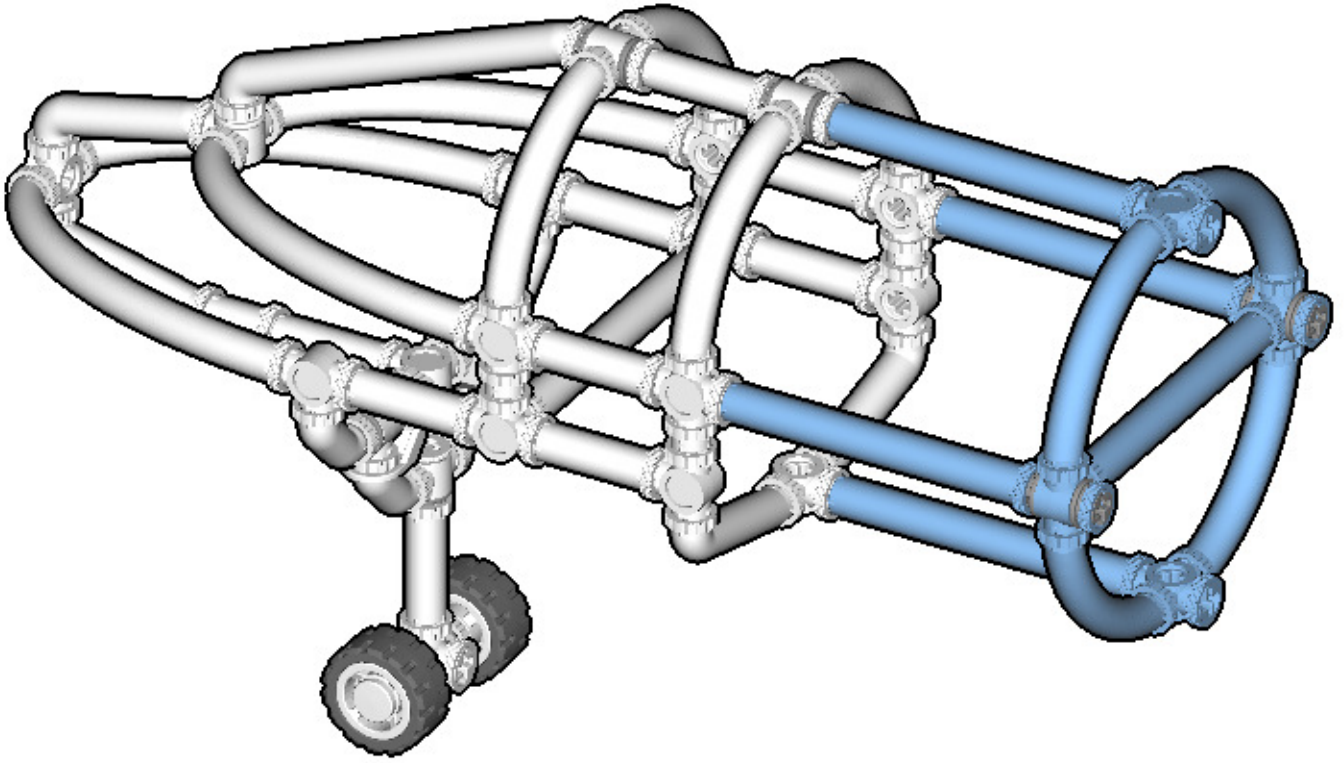


13

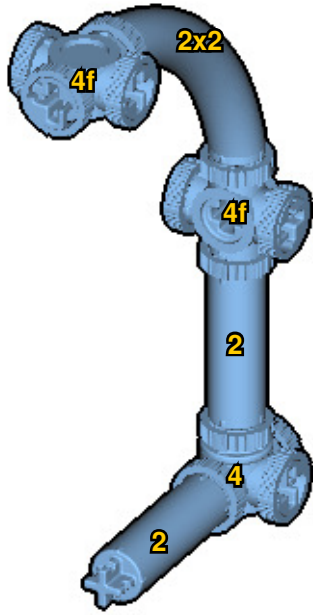


14

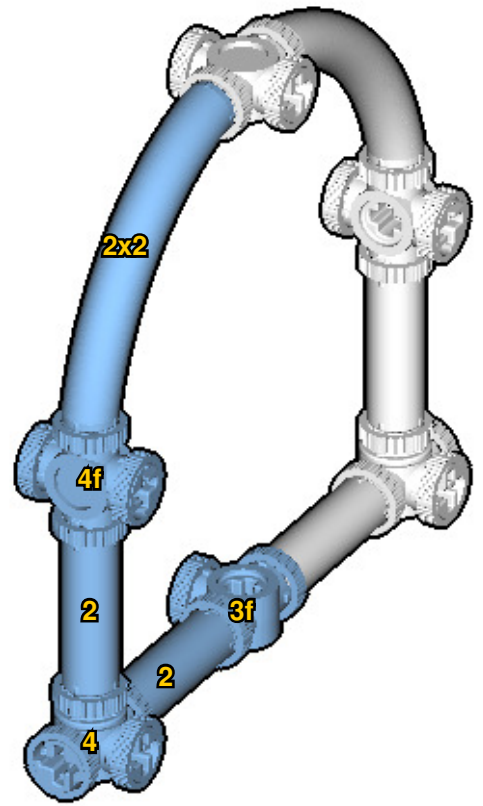




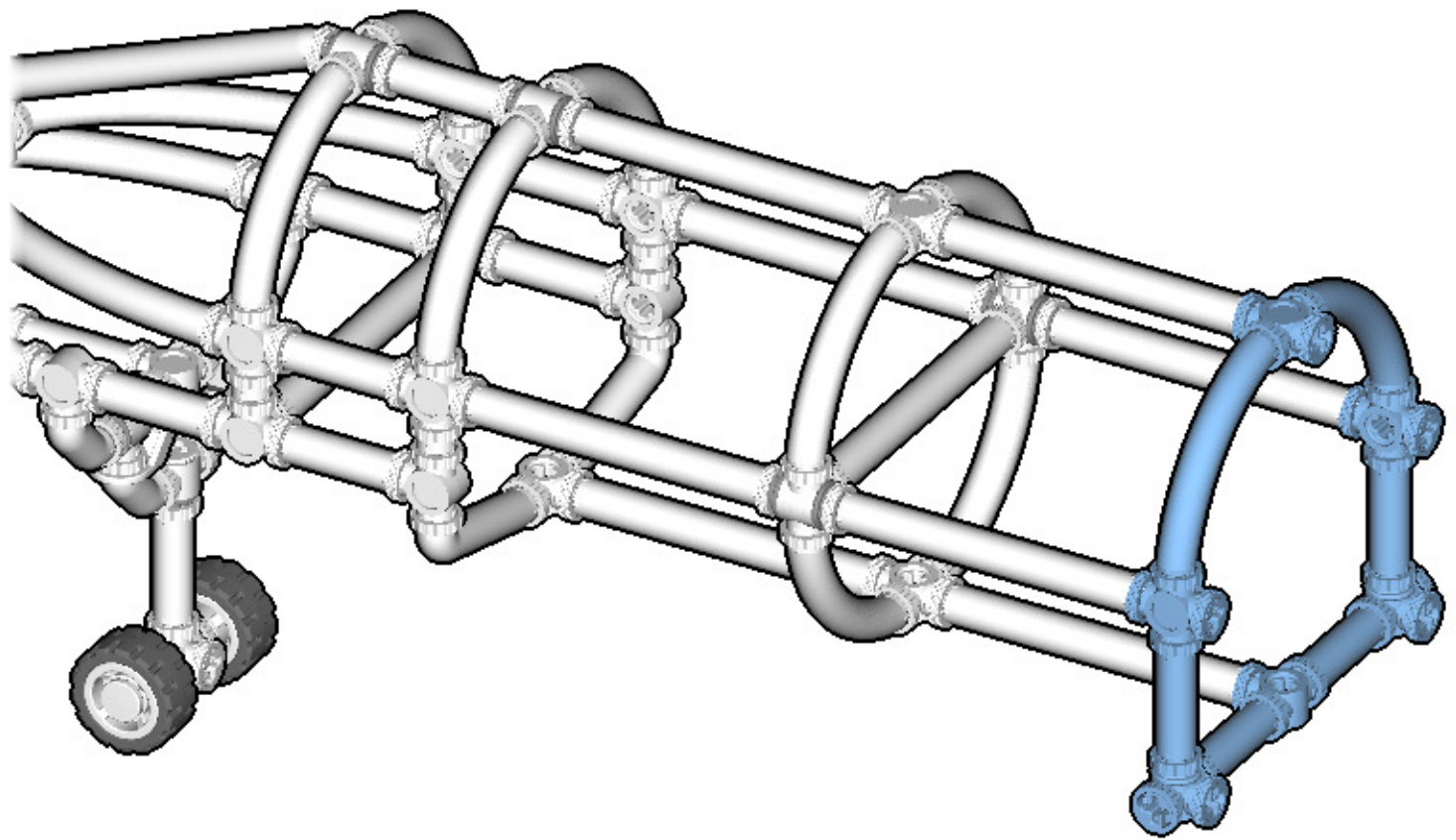
17



18

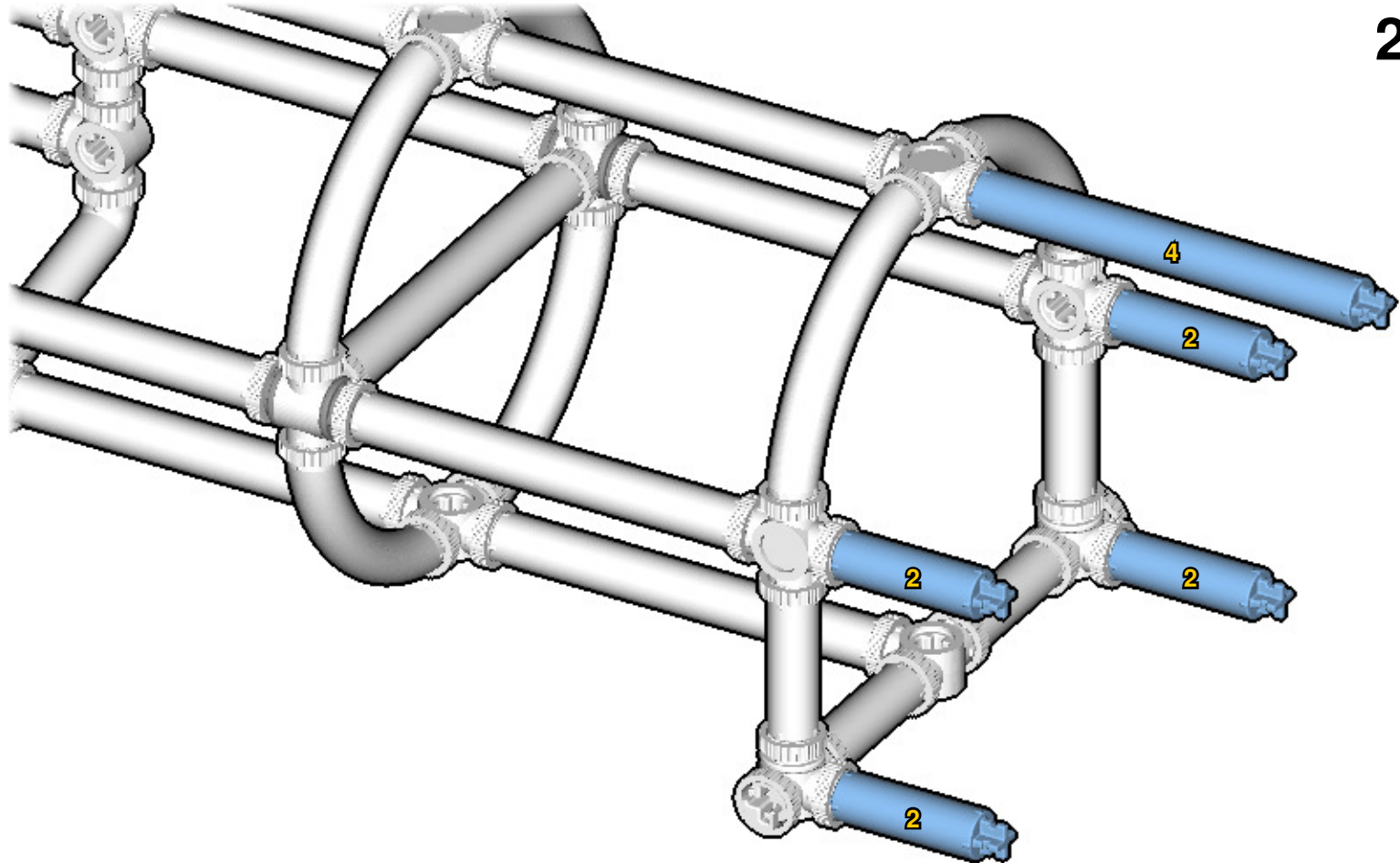


19

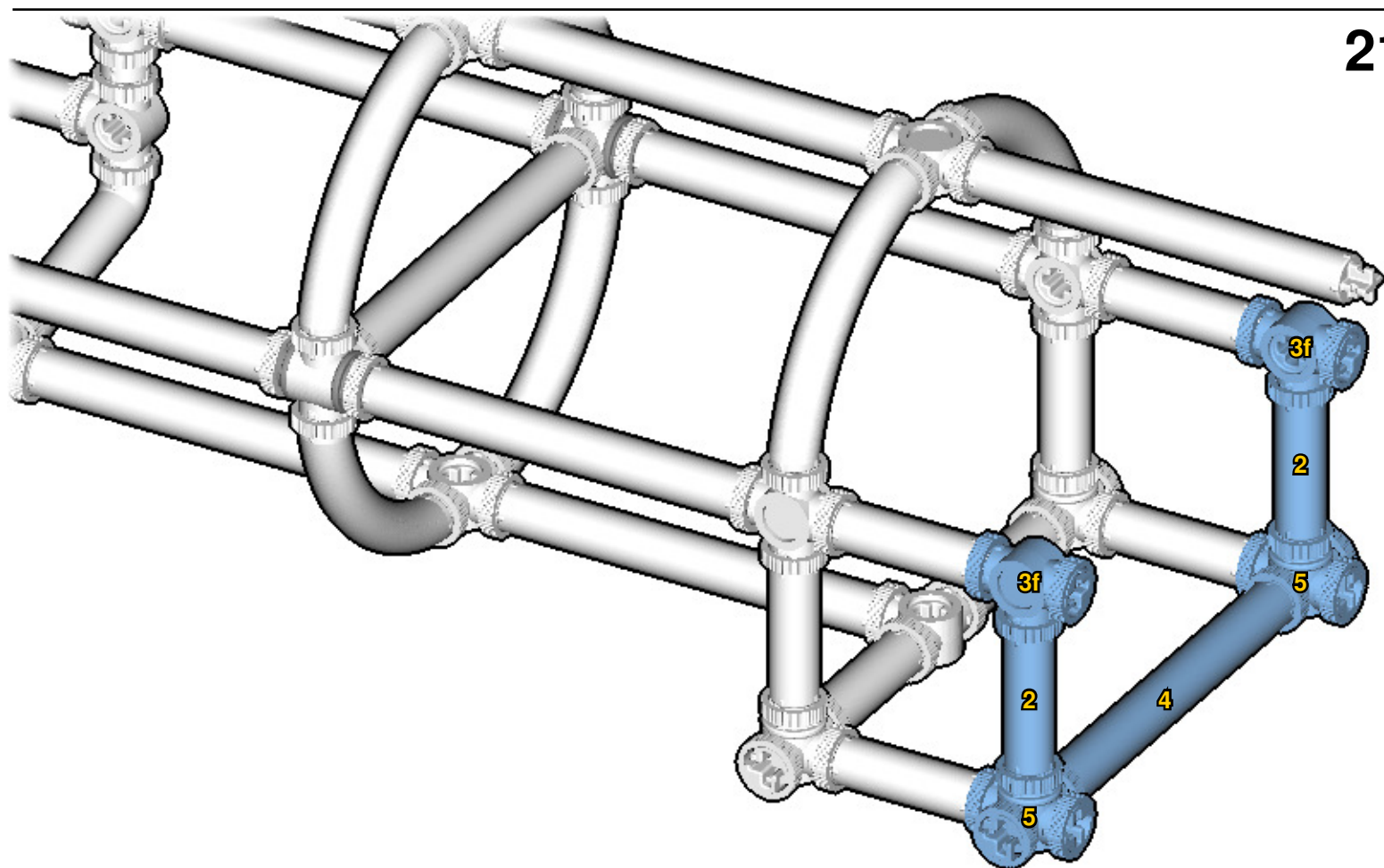


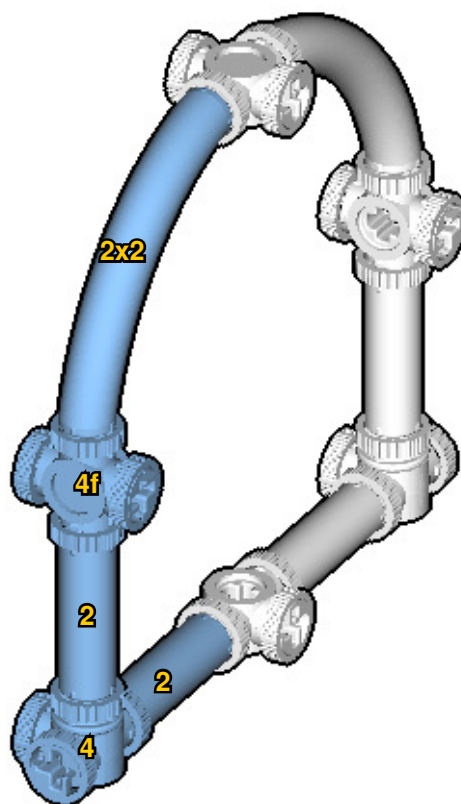
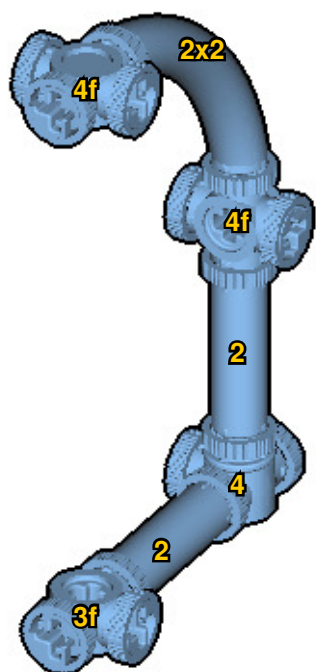
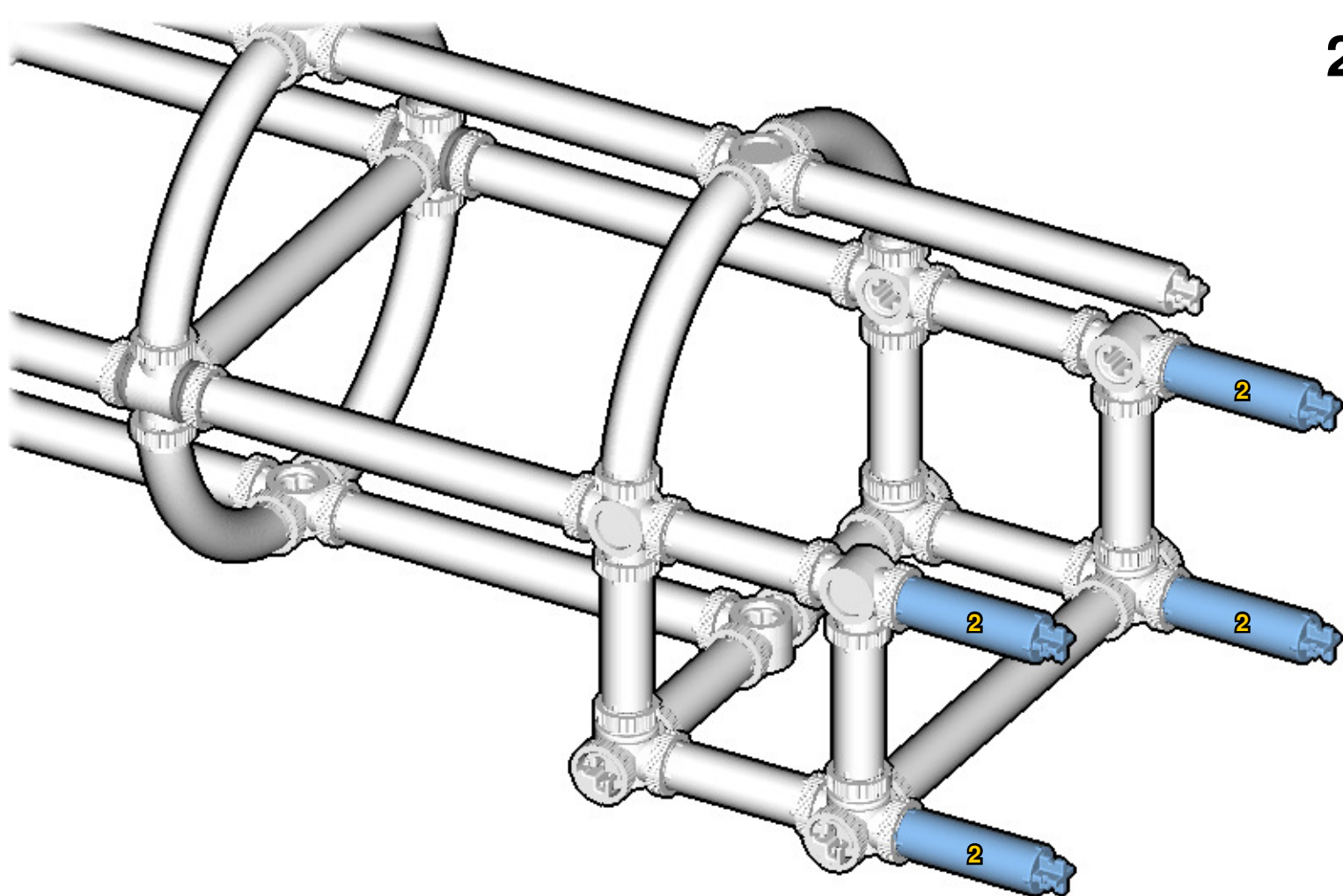


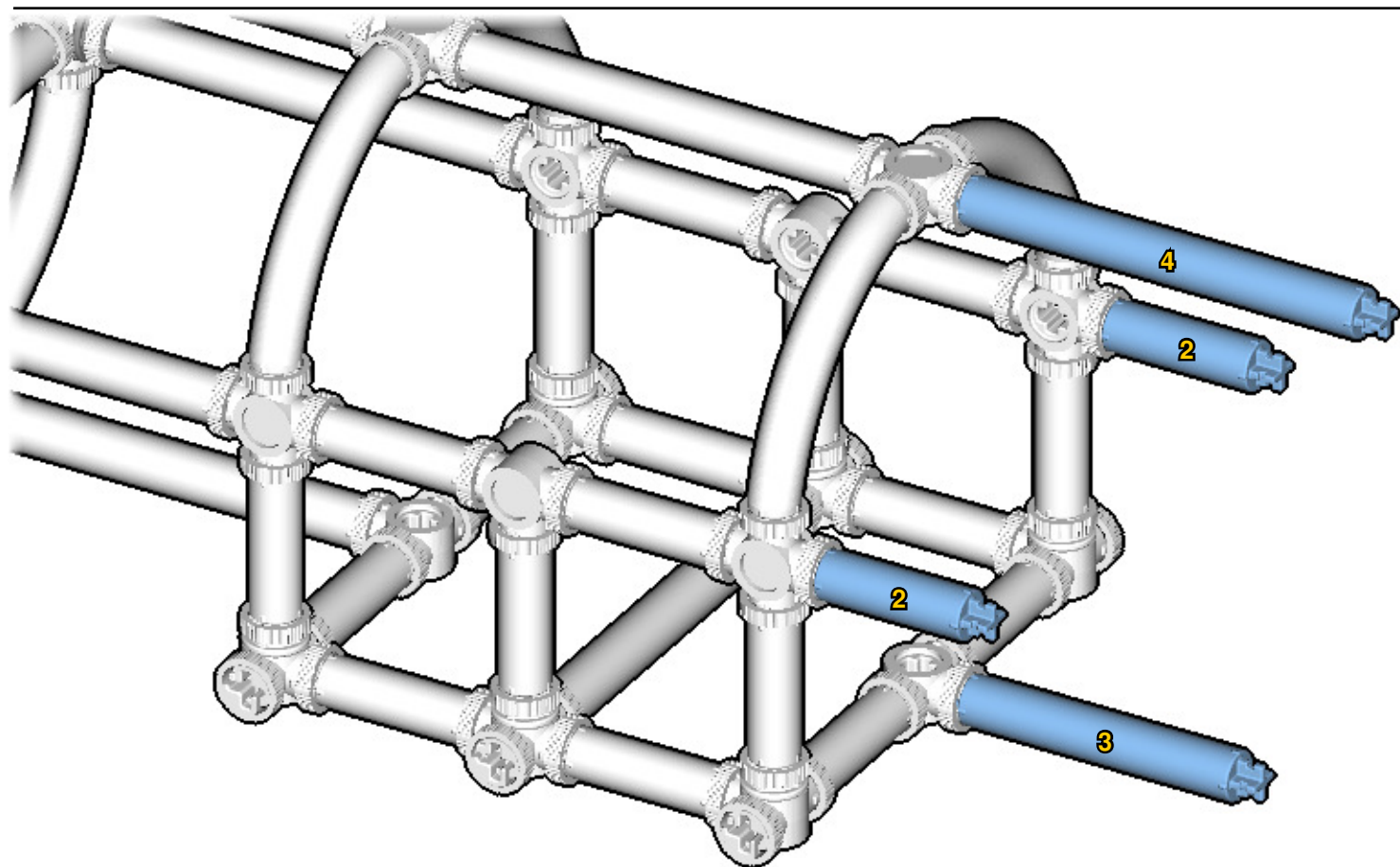
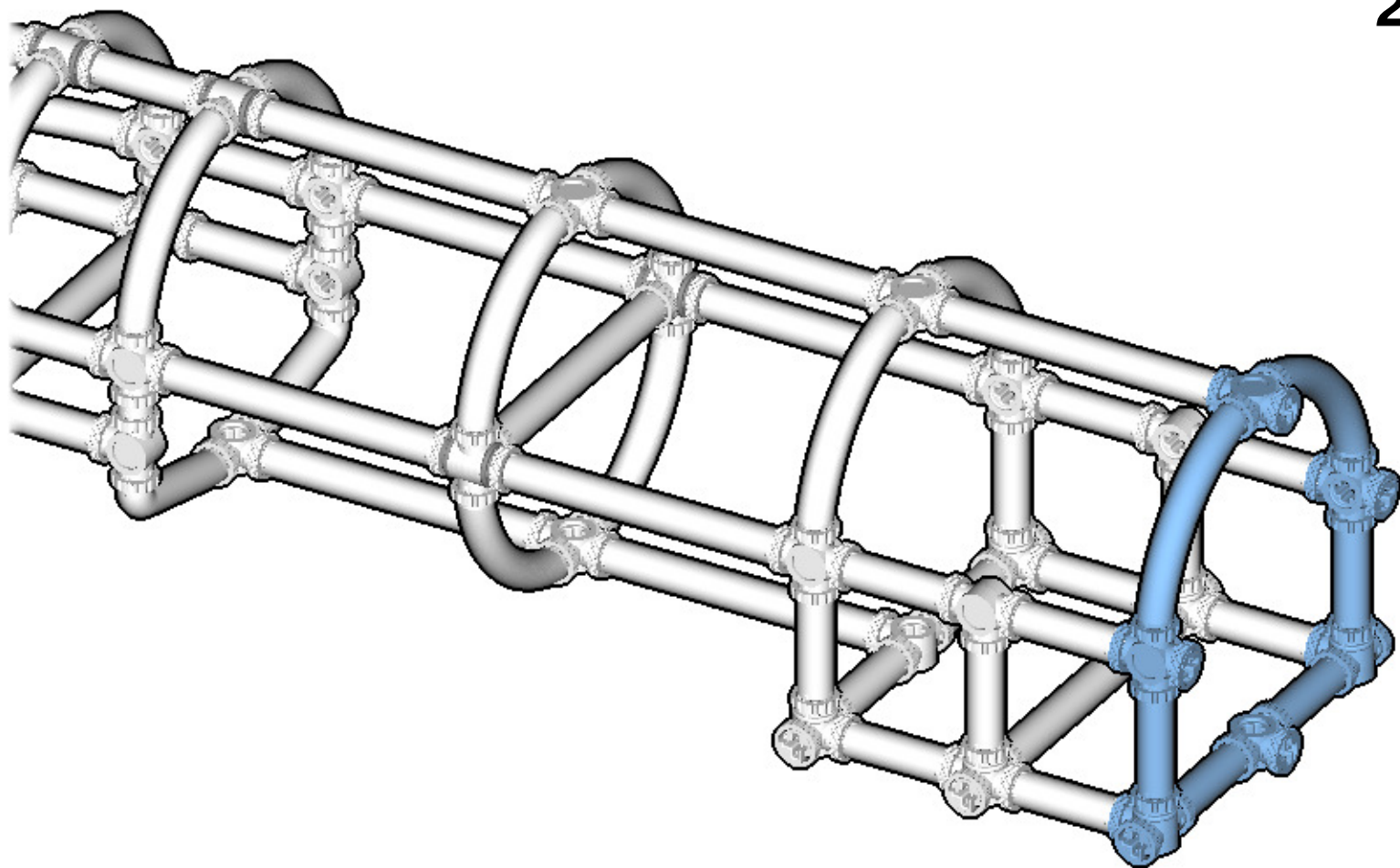
20



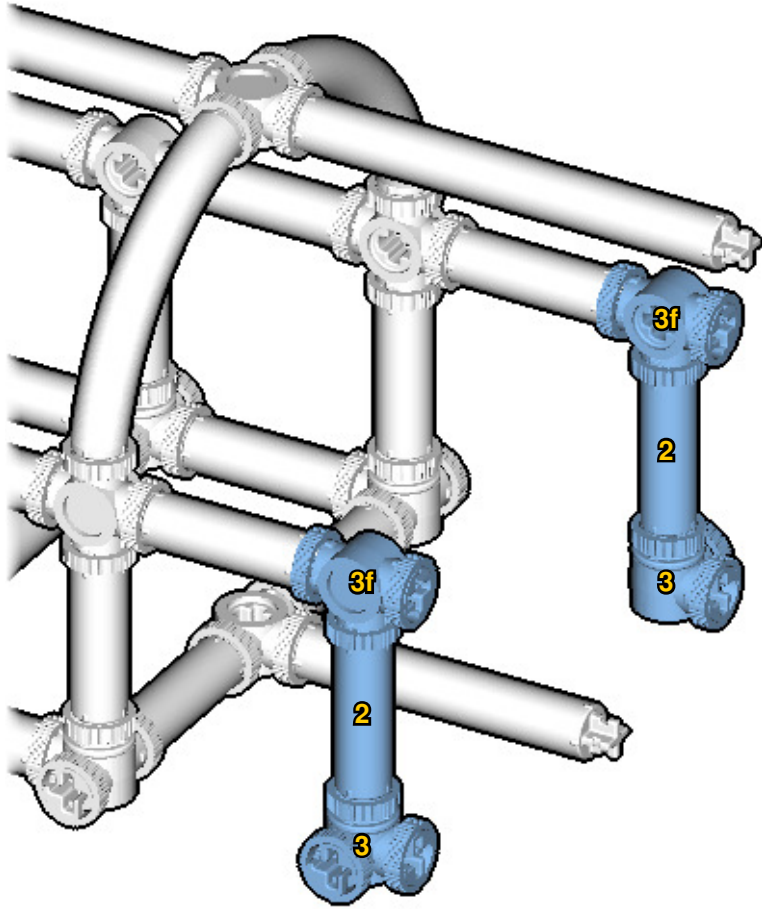
21



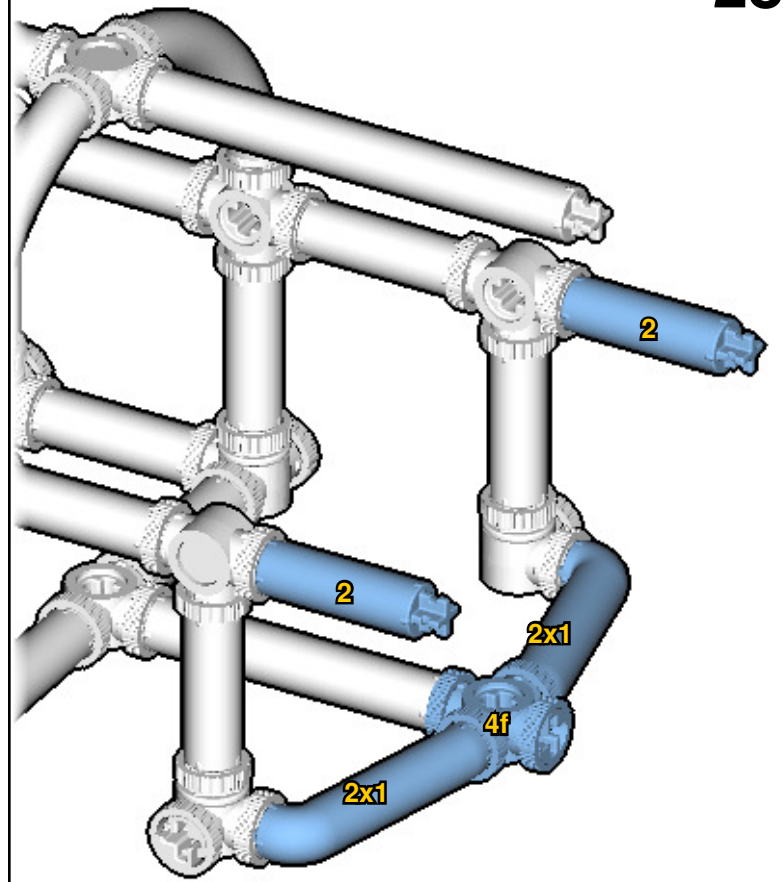




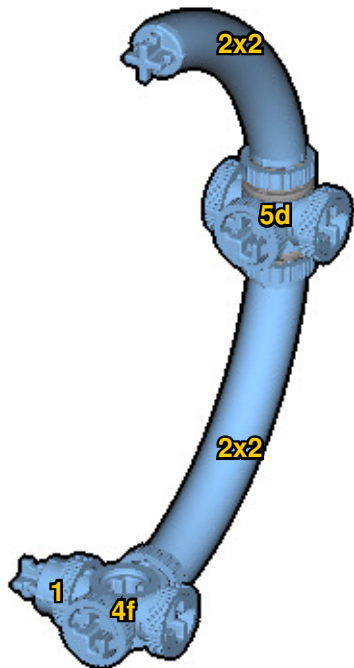
27



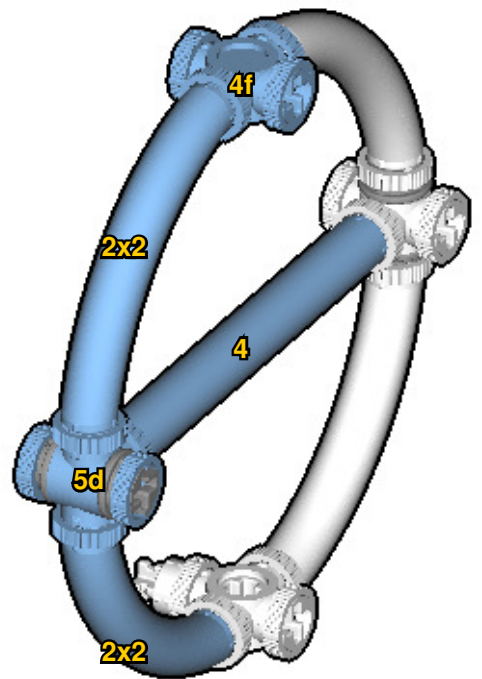
28

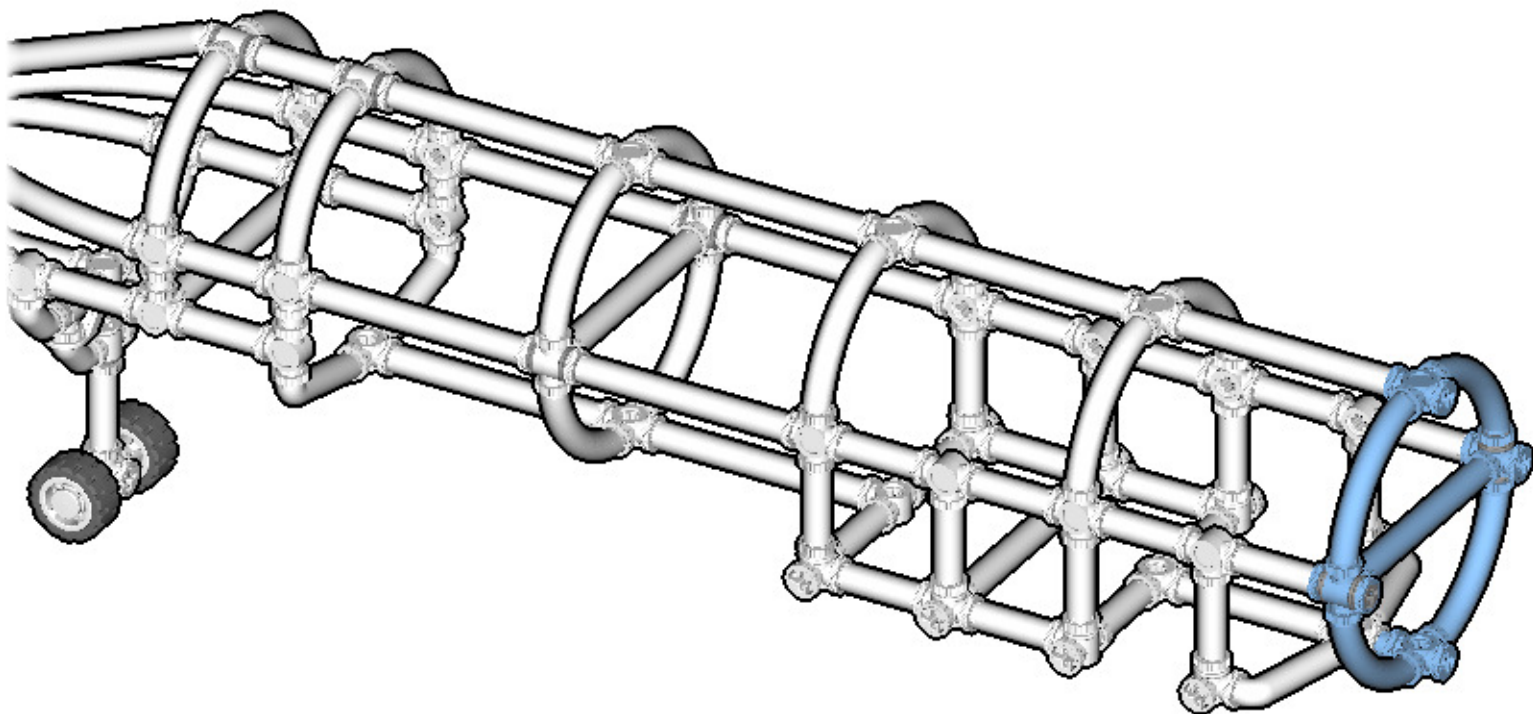
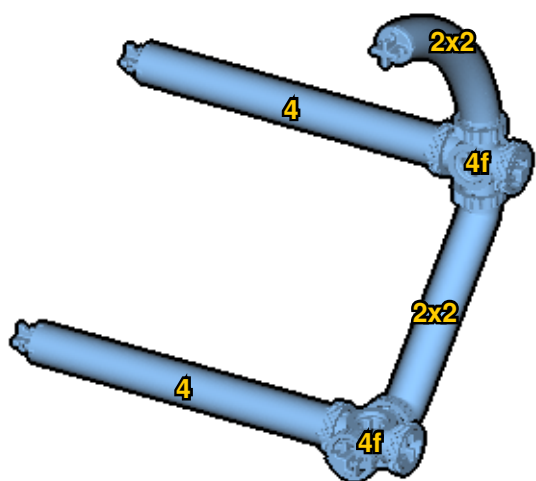
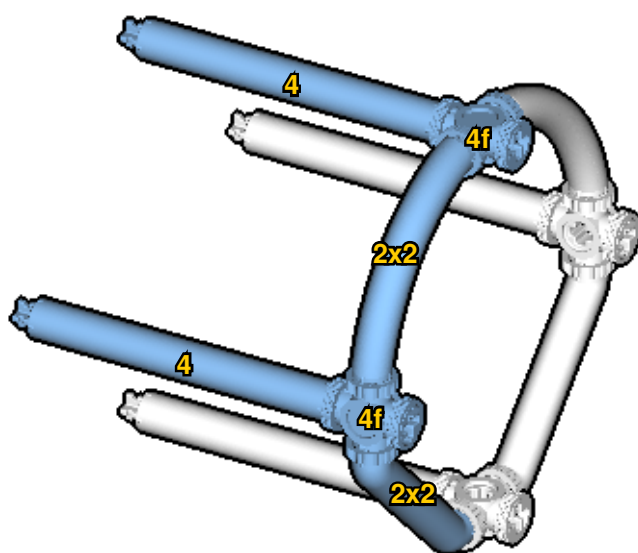


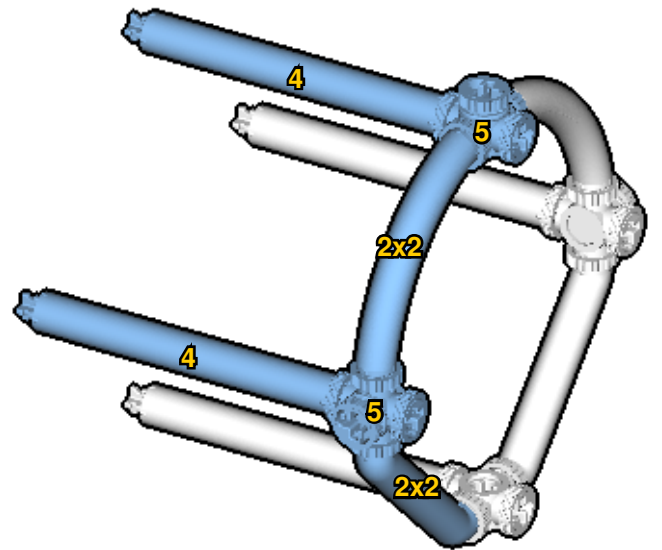
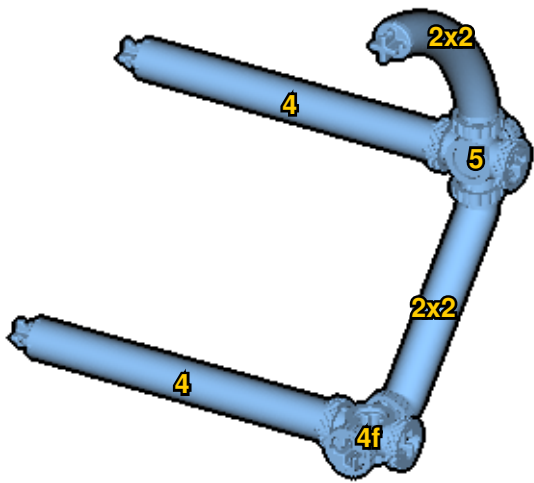
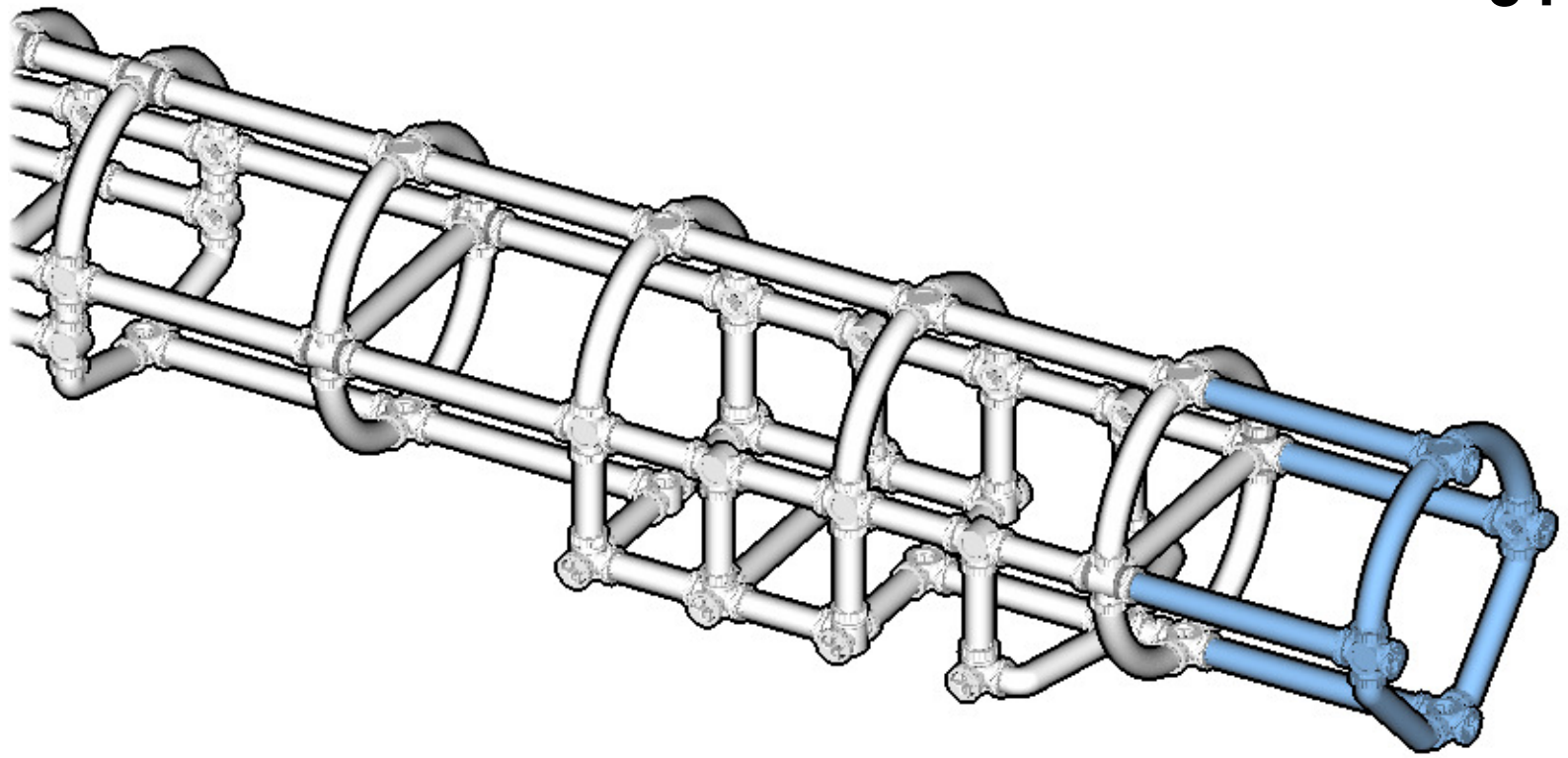
29

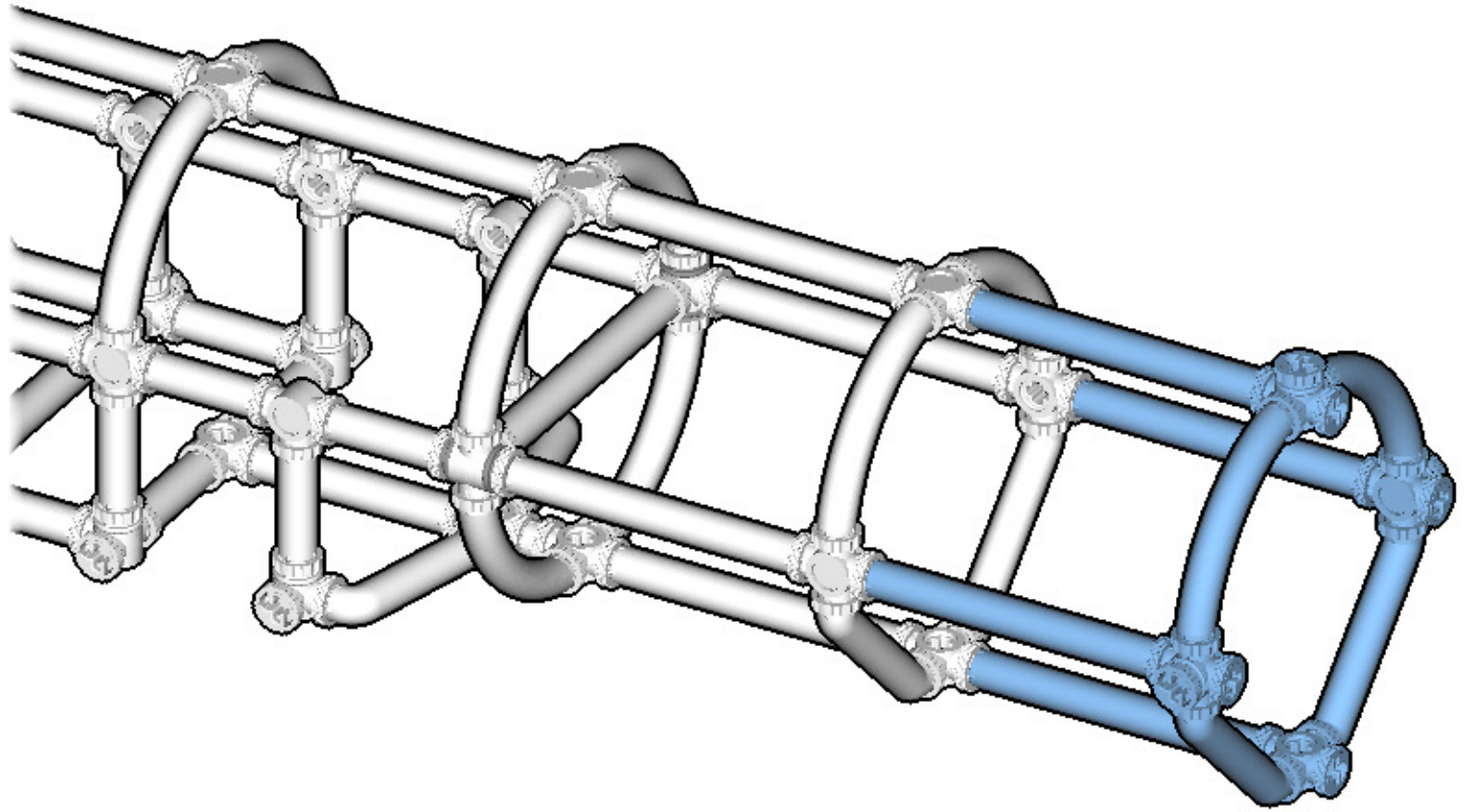


30

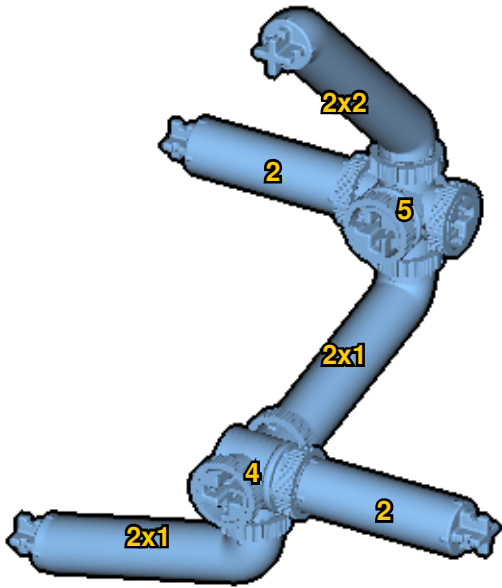


3233

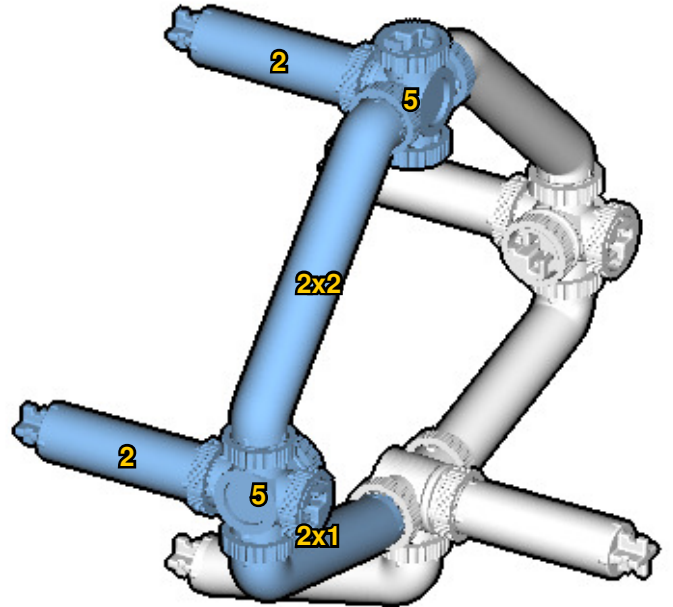


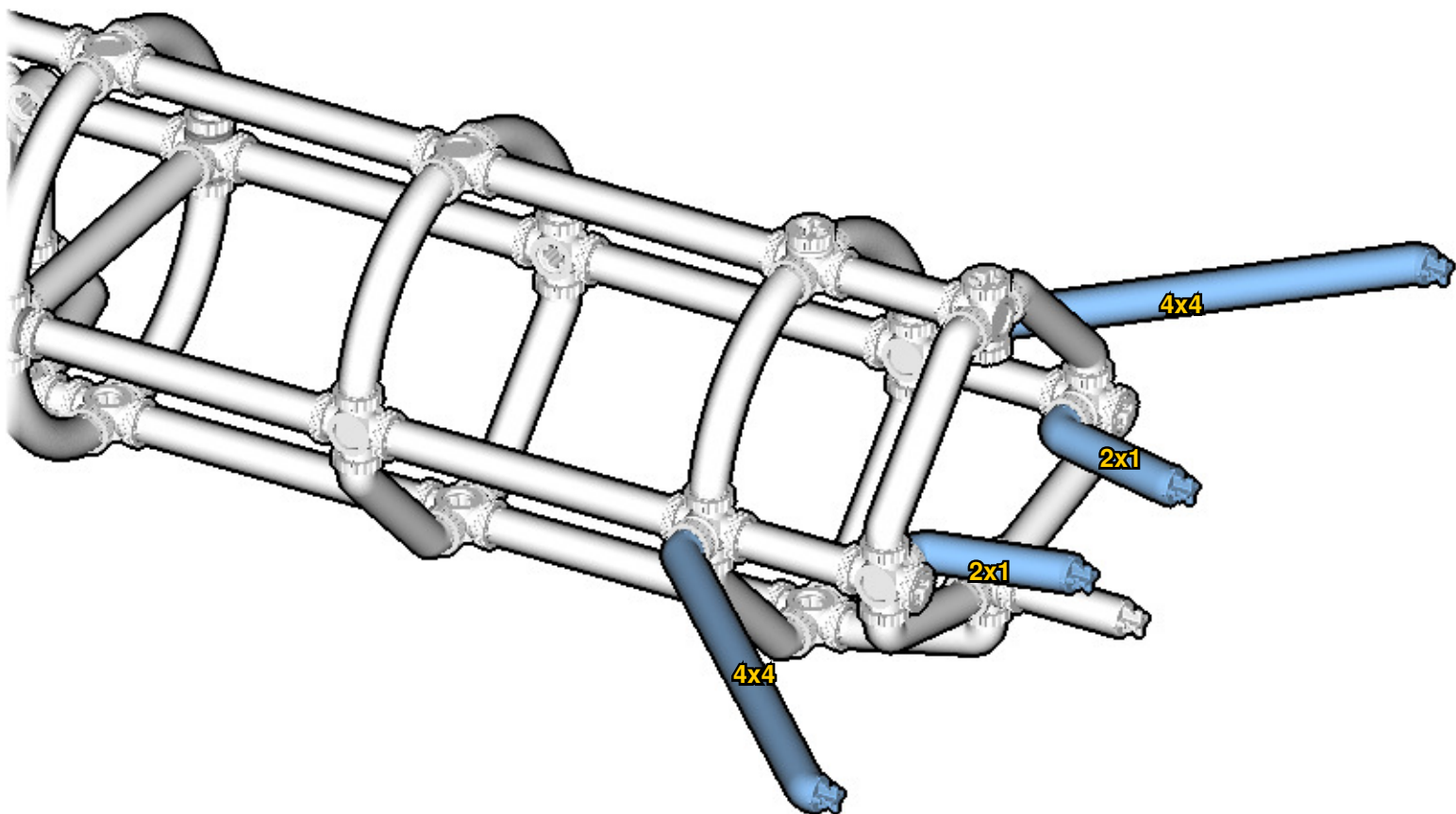
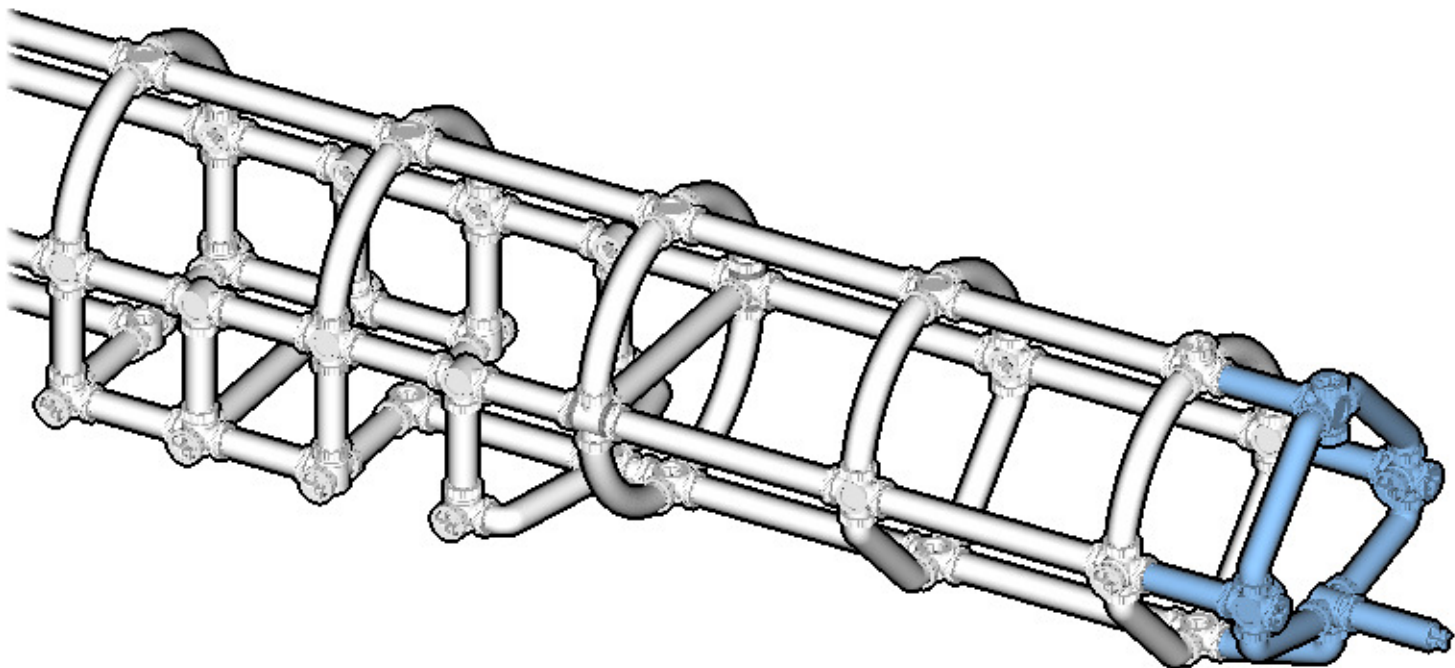


38

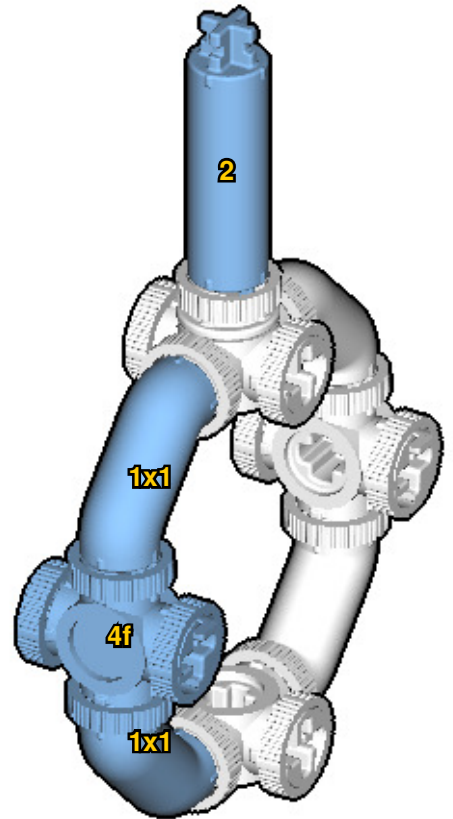
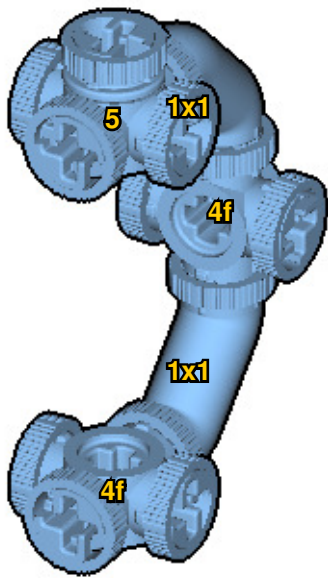
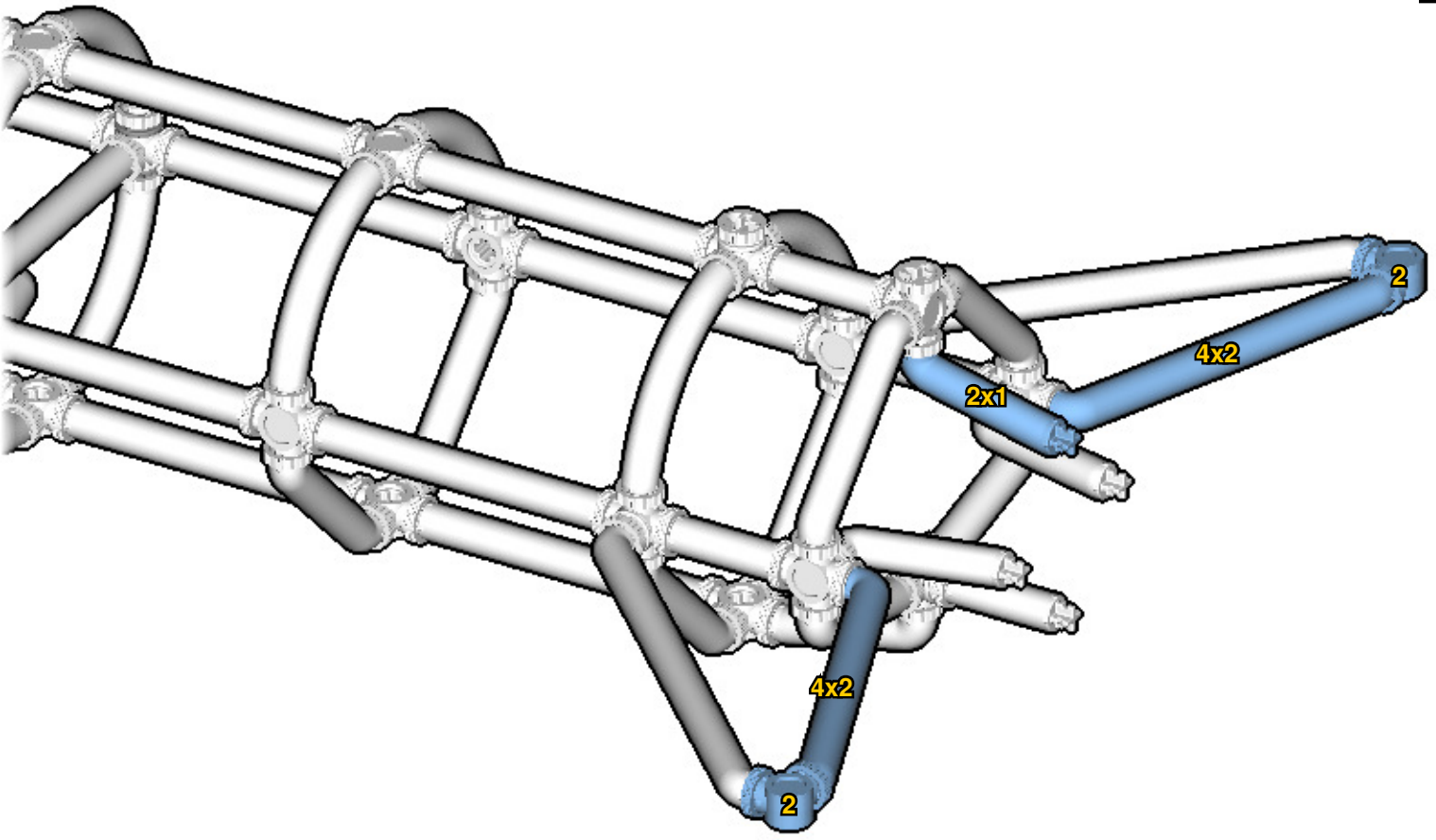


39

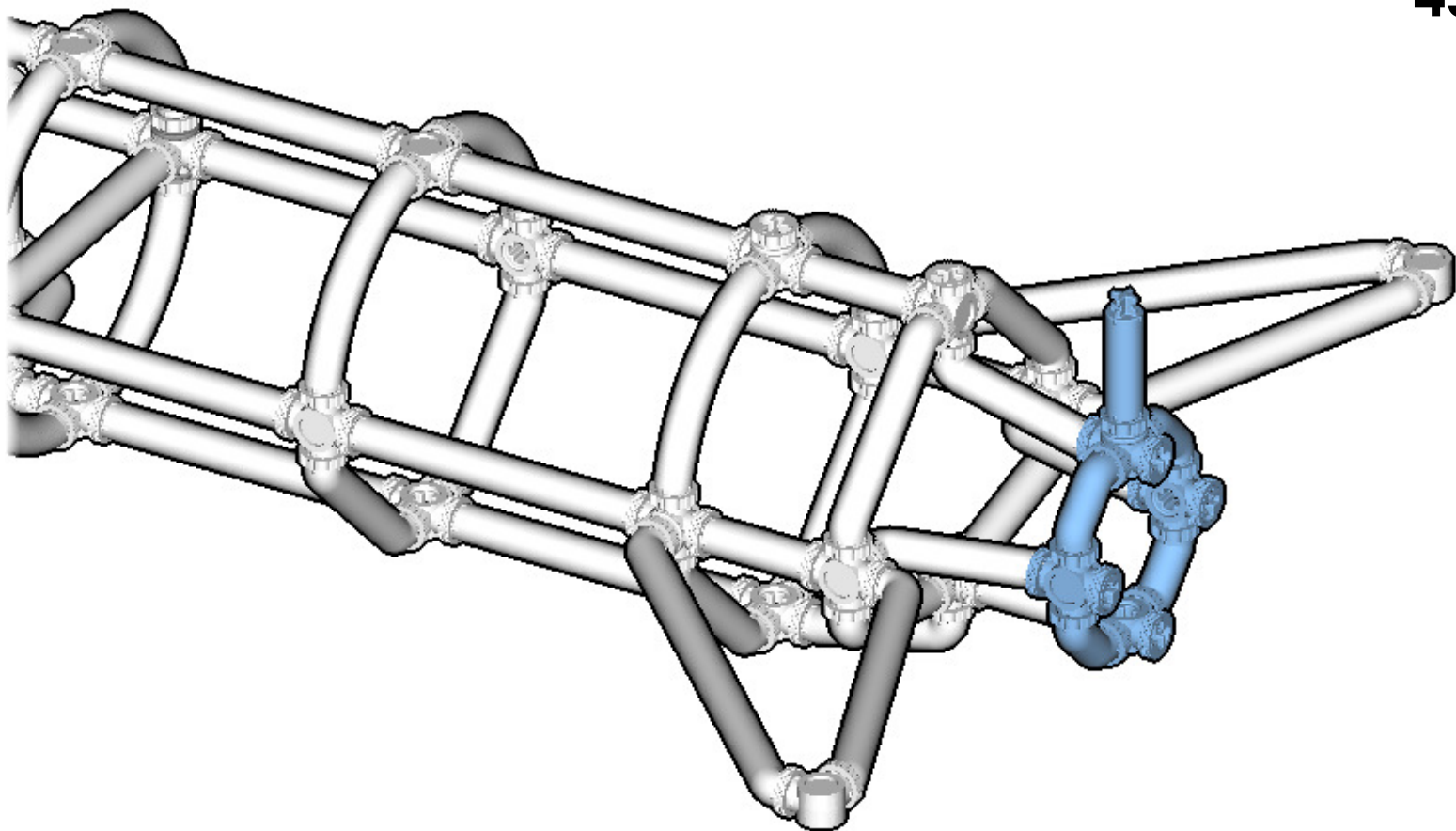




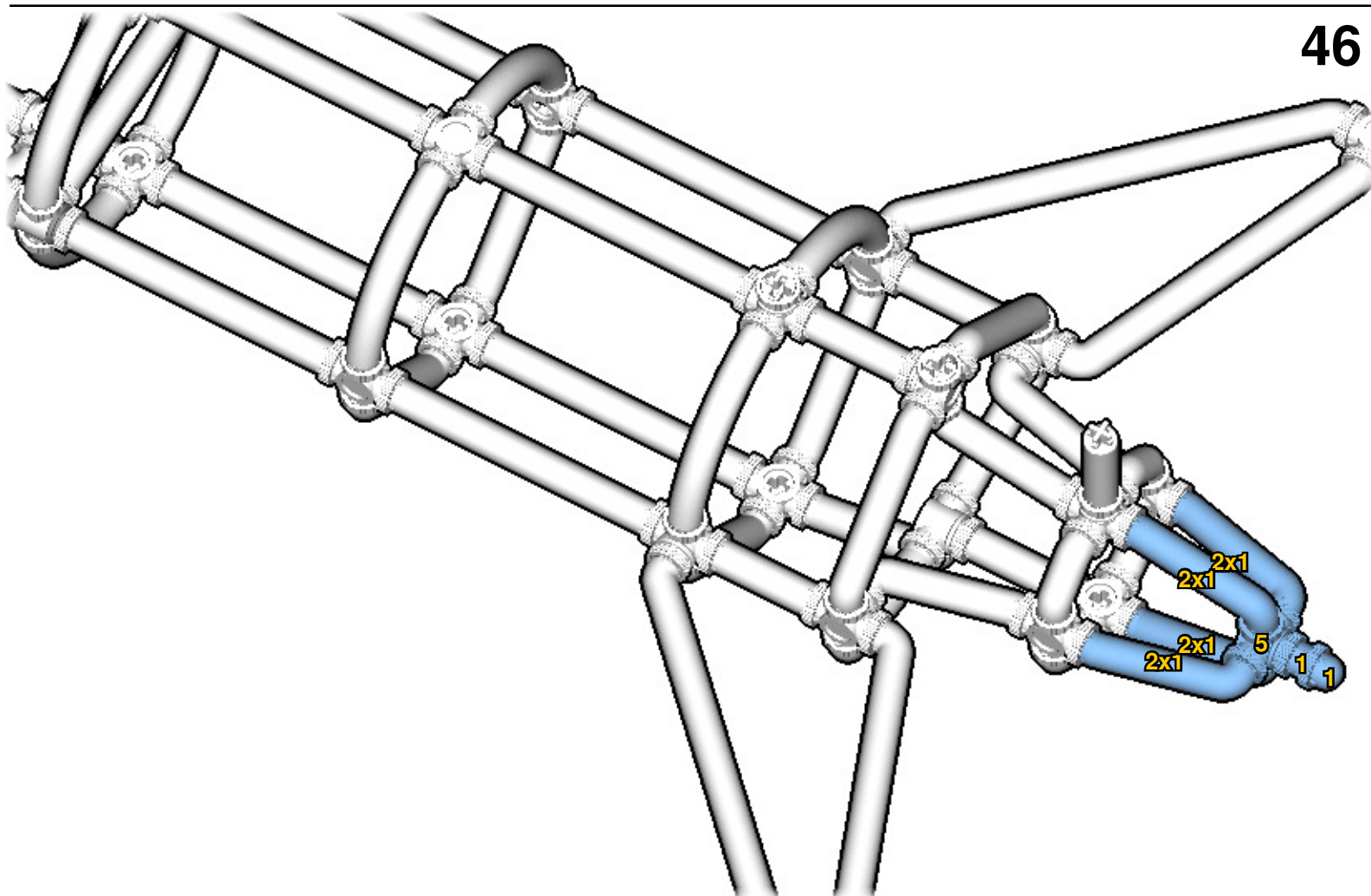




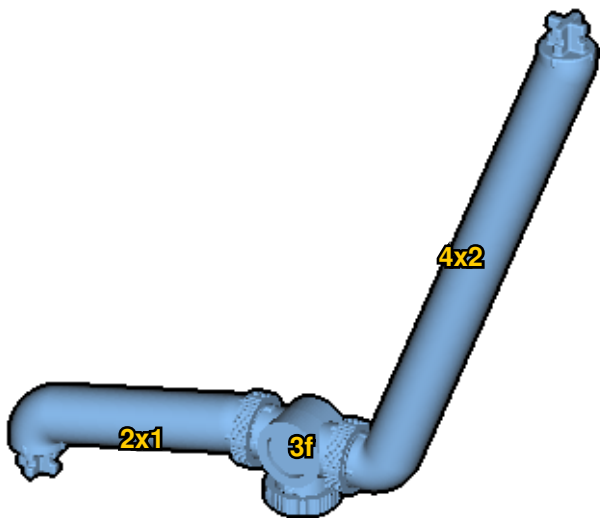
45



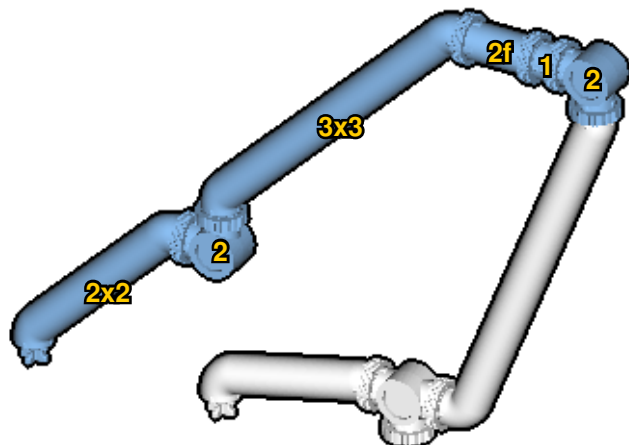
46



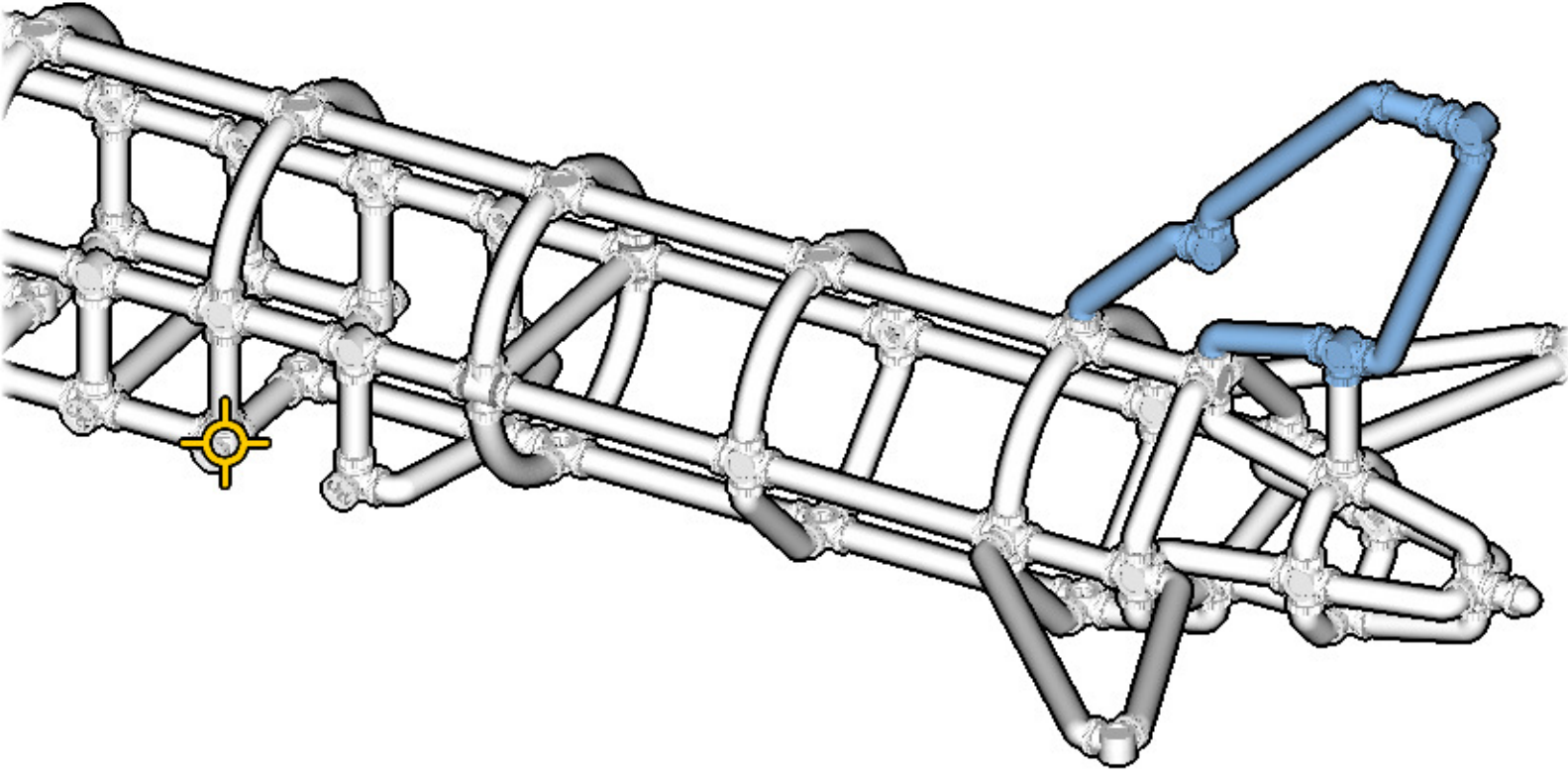
47



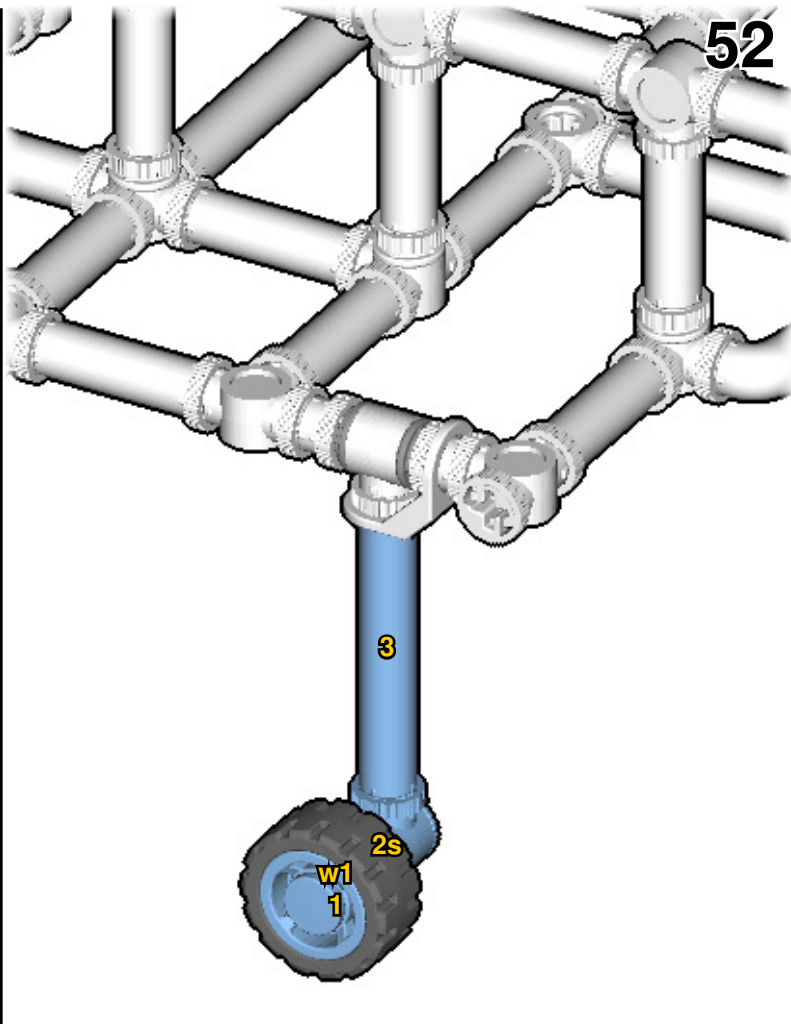
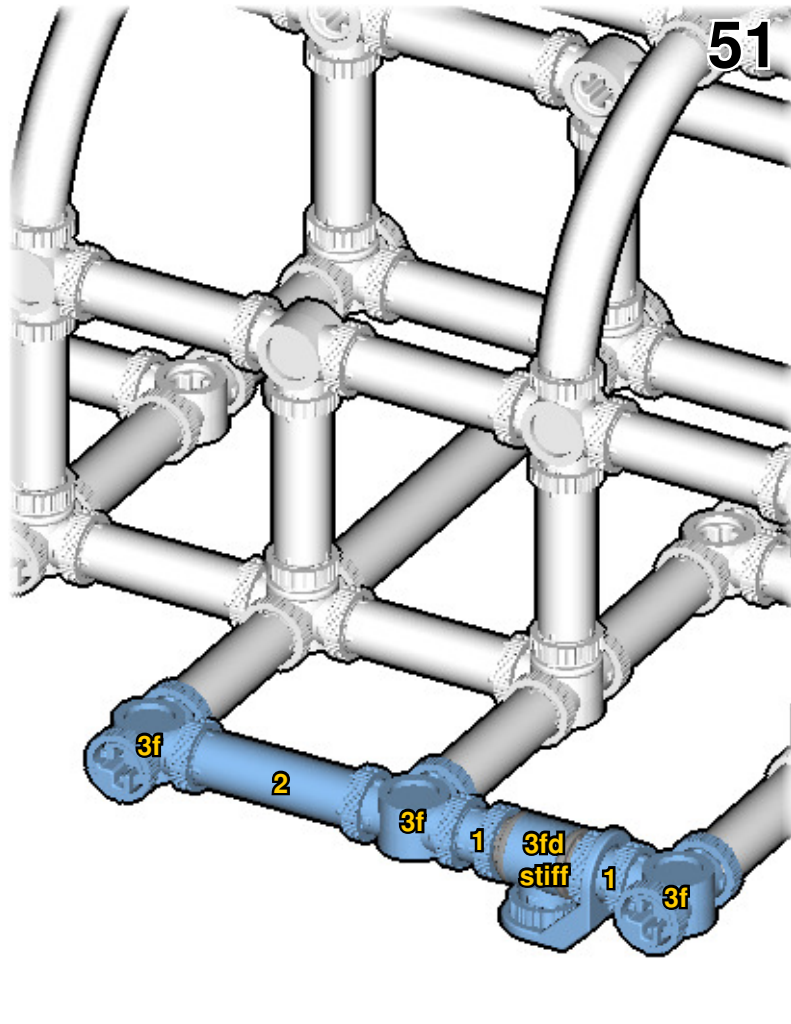
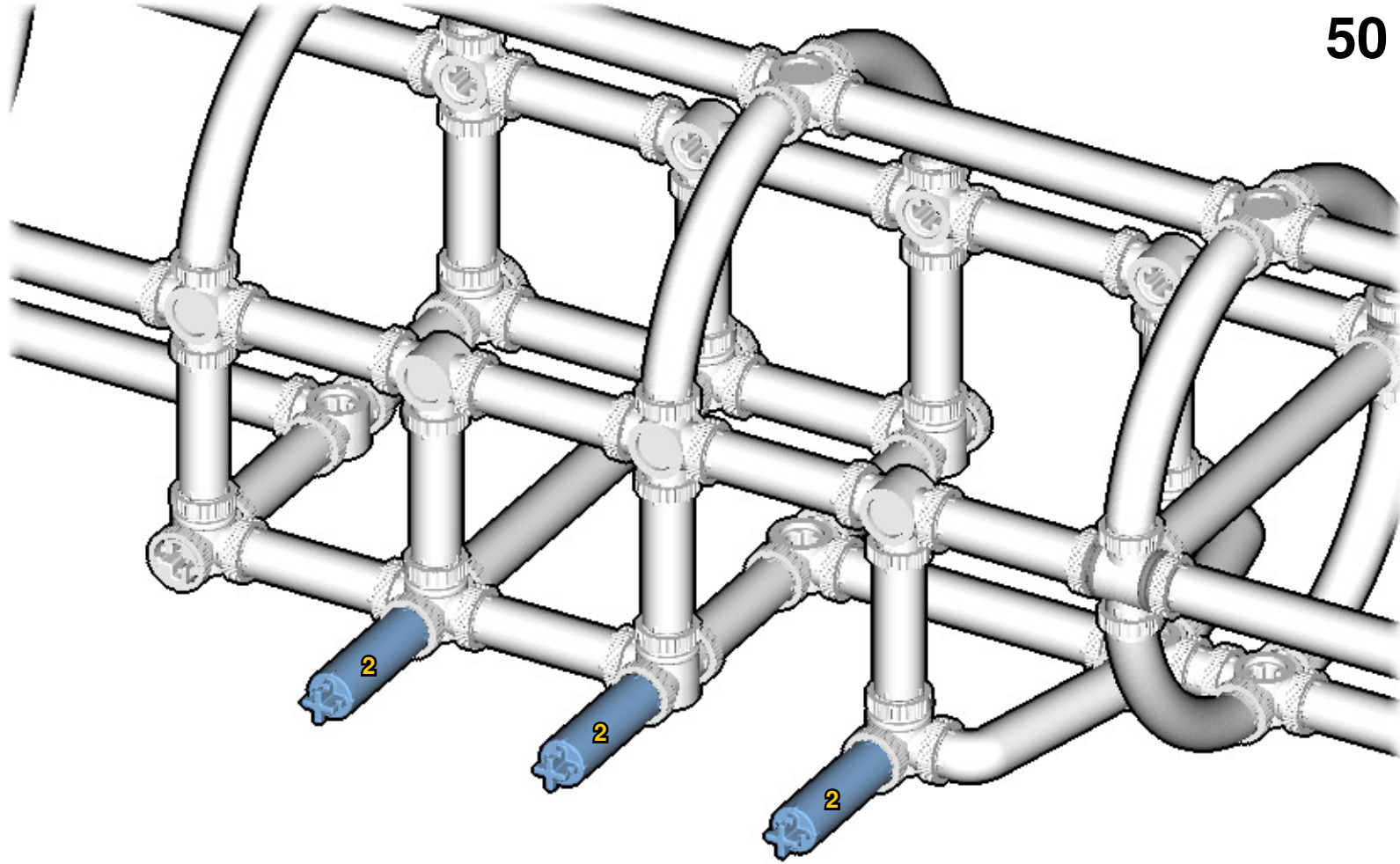
48



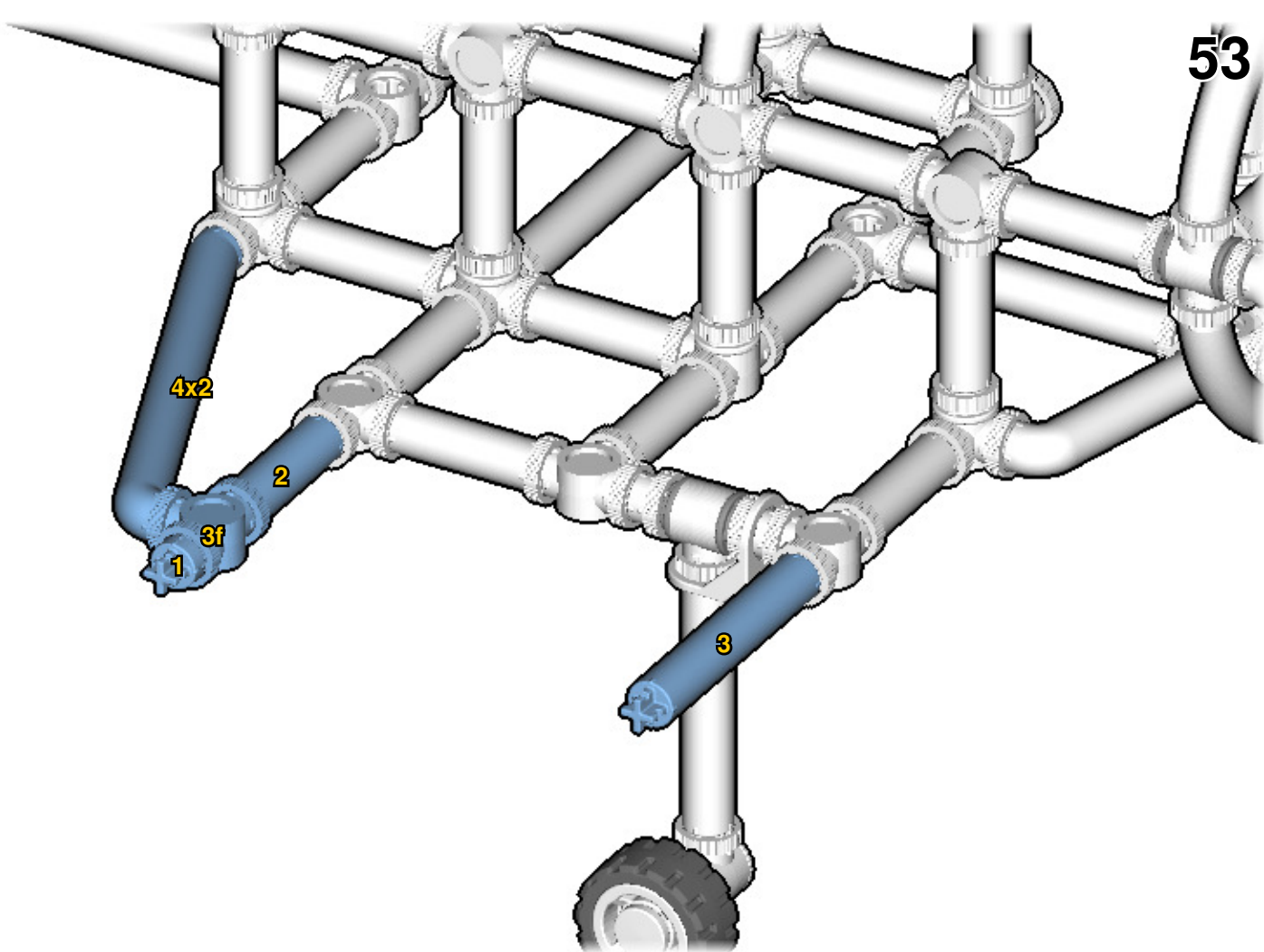
49



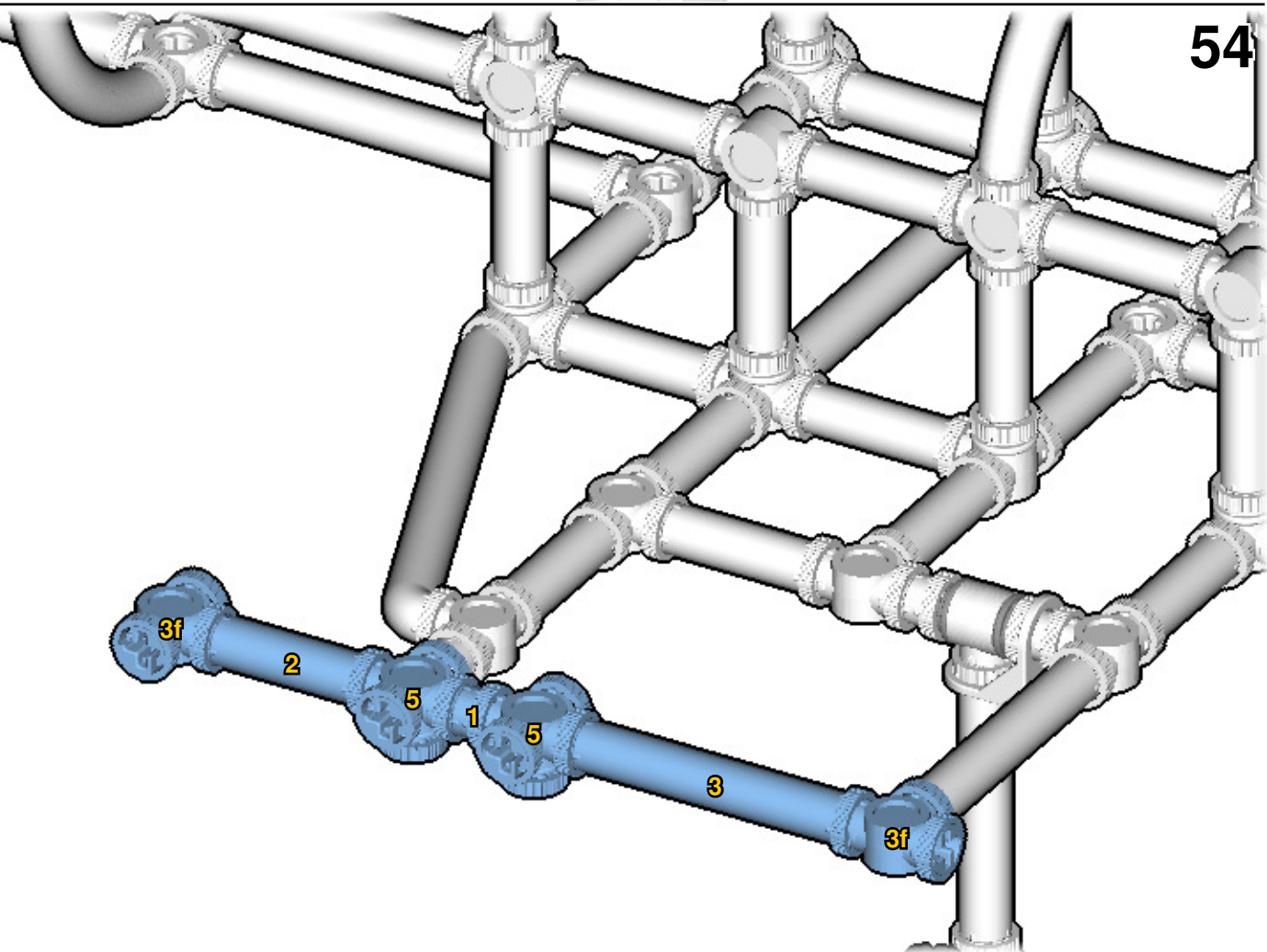
✦ : The next frame is centered on this piece.



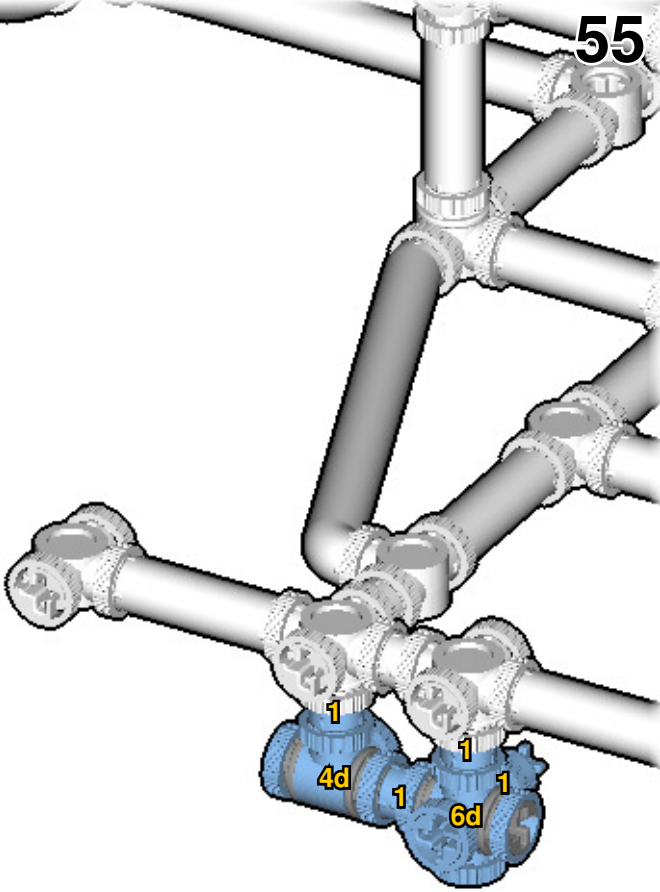
53



54



55

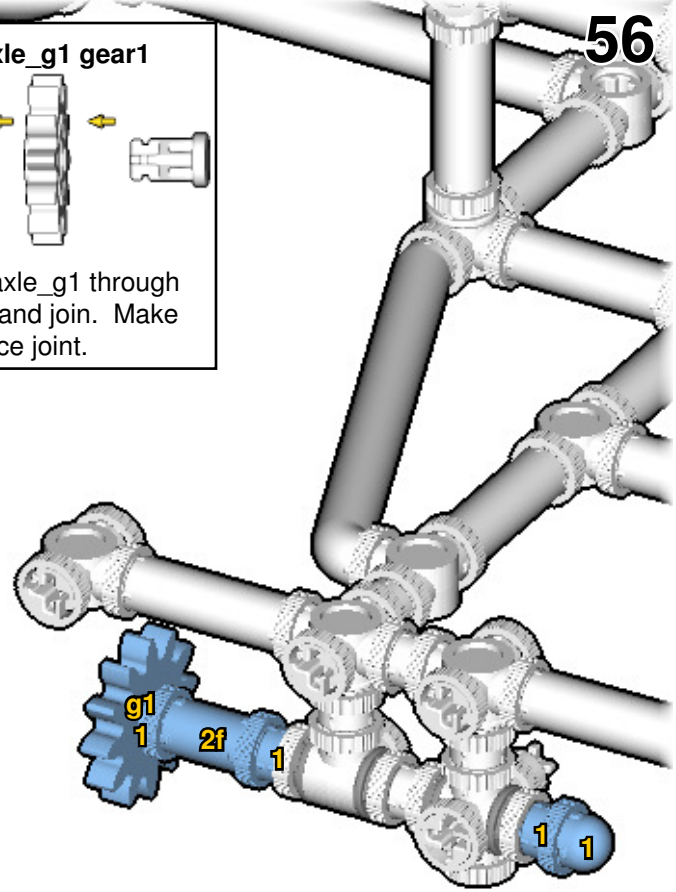


axle\_g1 gear1

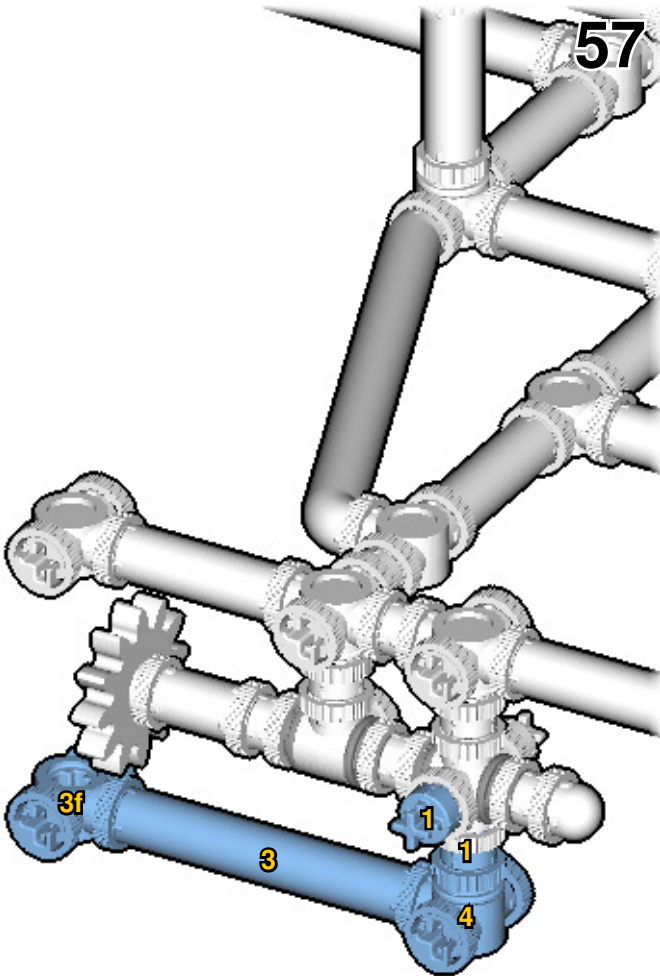
Slide axle\_g1 through gear1 and join. Make hub face joint.

The inset diagram shows a grey axle with a hole, a blue gear with a hole, and a grey axle with a hole. Yellow arrows indicate the axle being inserted into the gear. Below the inset, the text reads: "Slide axle\_g1 through gear1 and join. Make hub face joint."

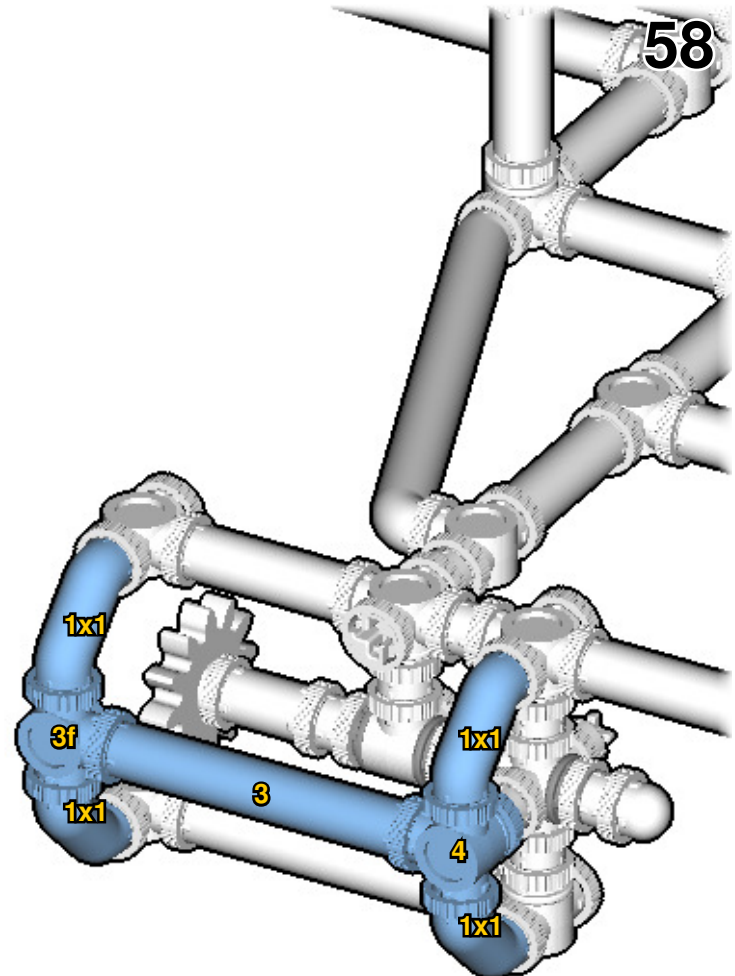
56

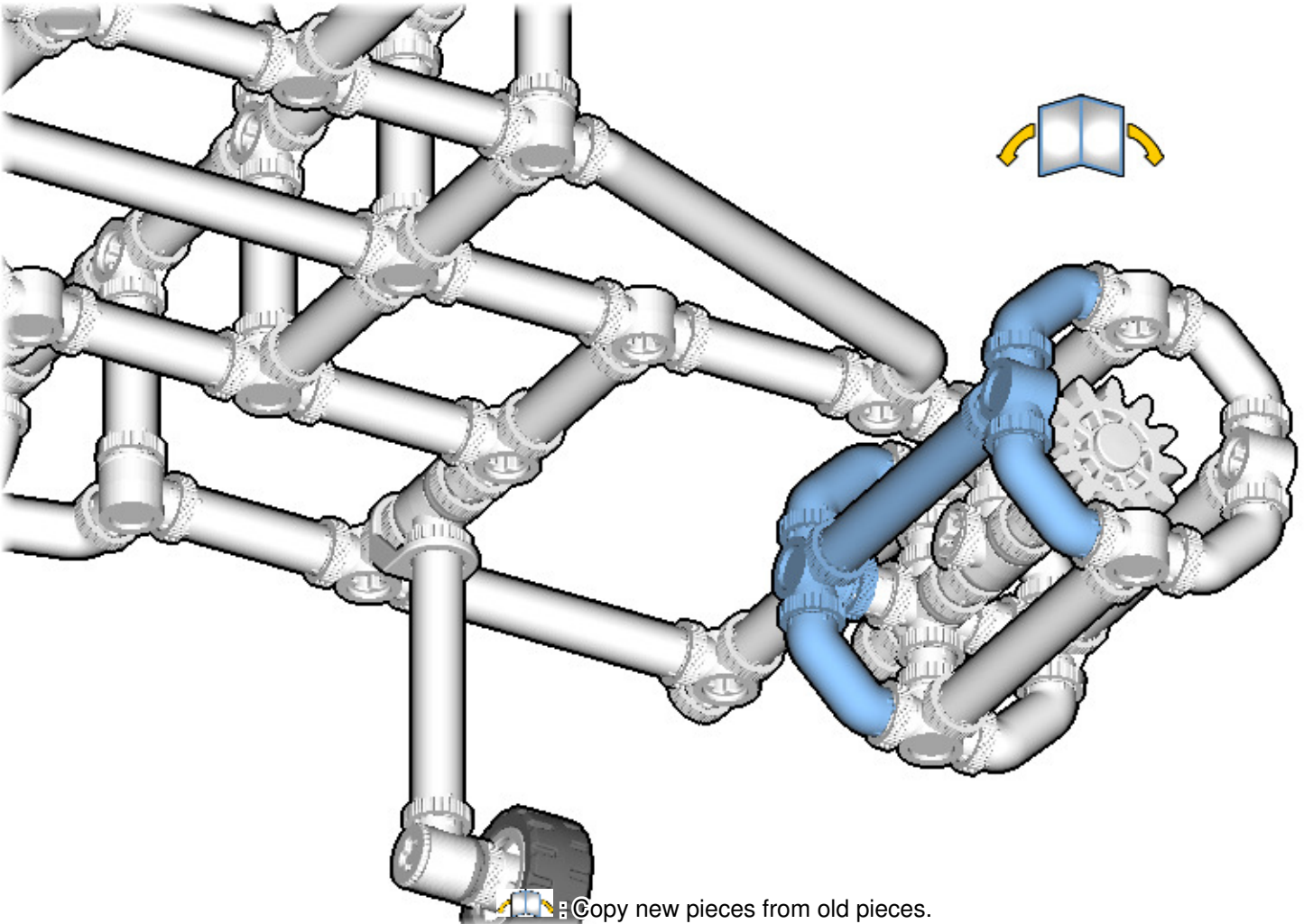


57

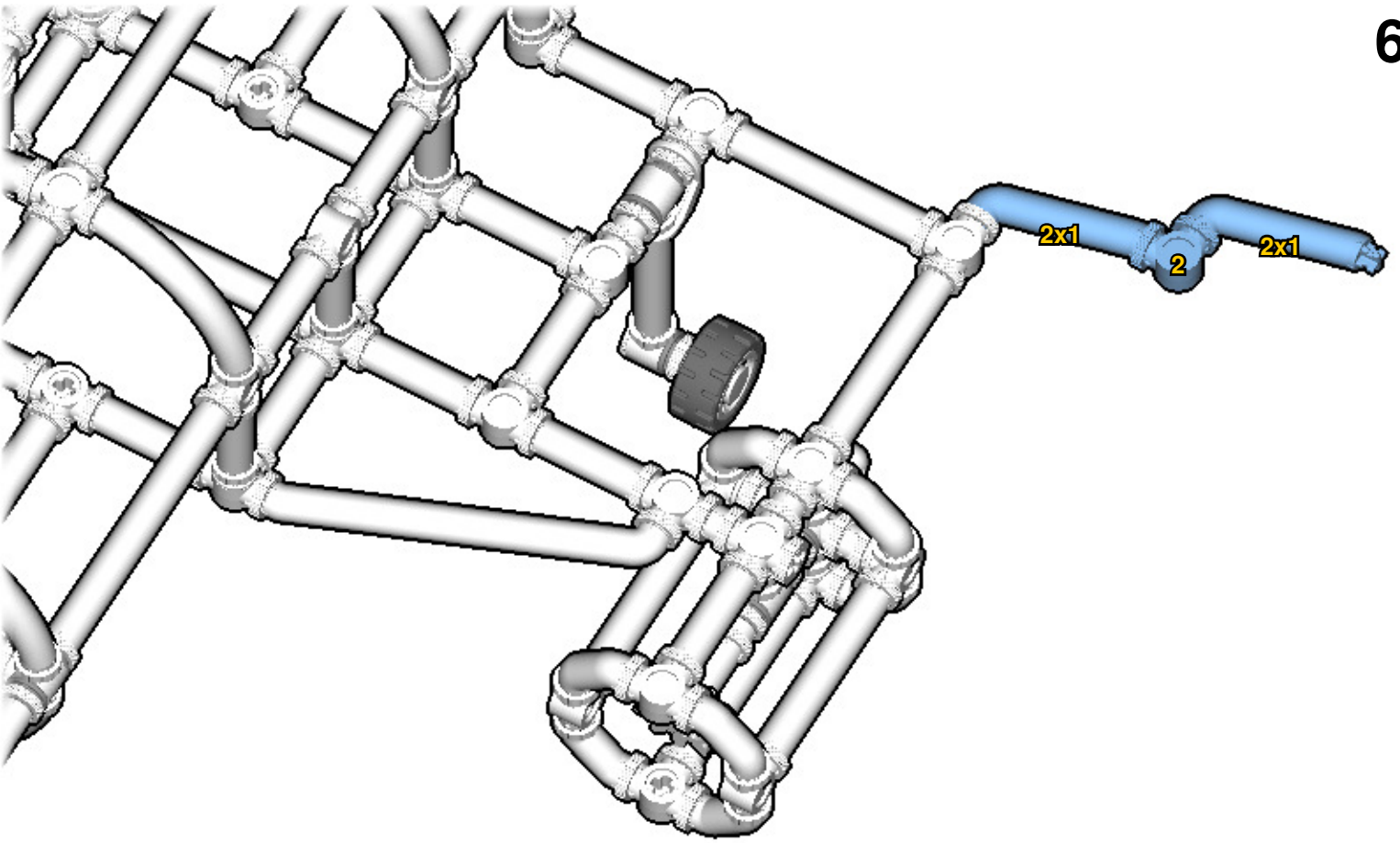


58

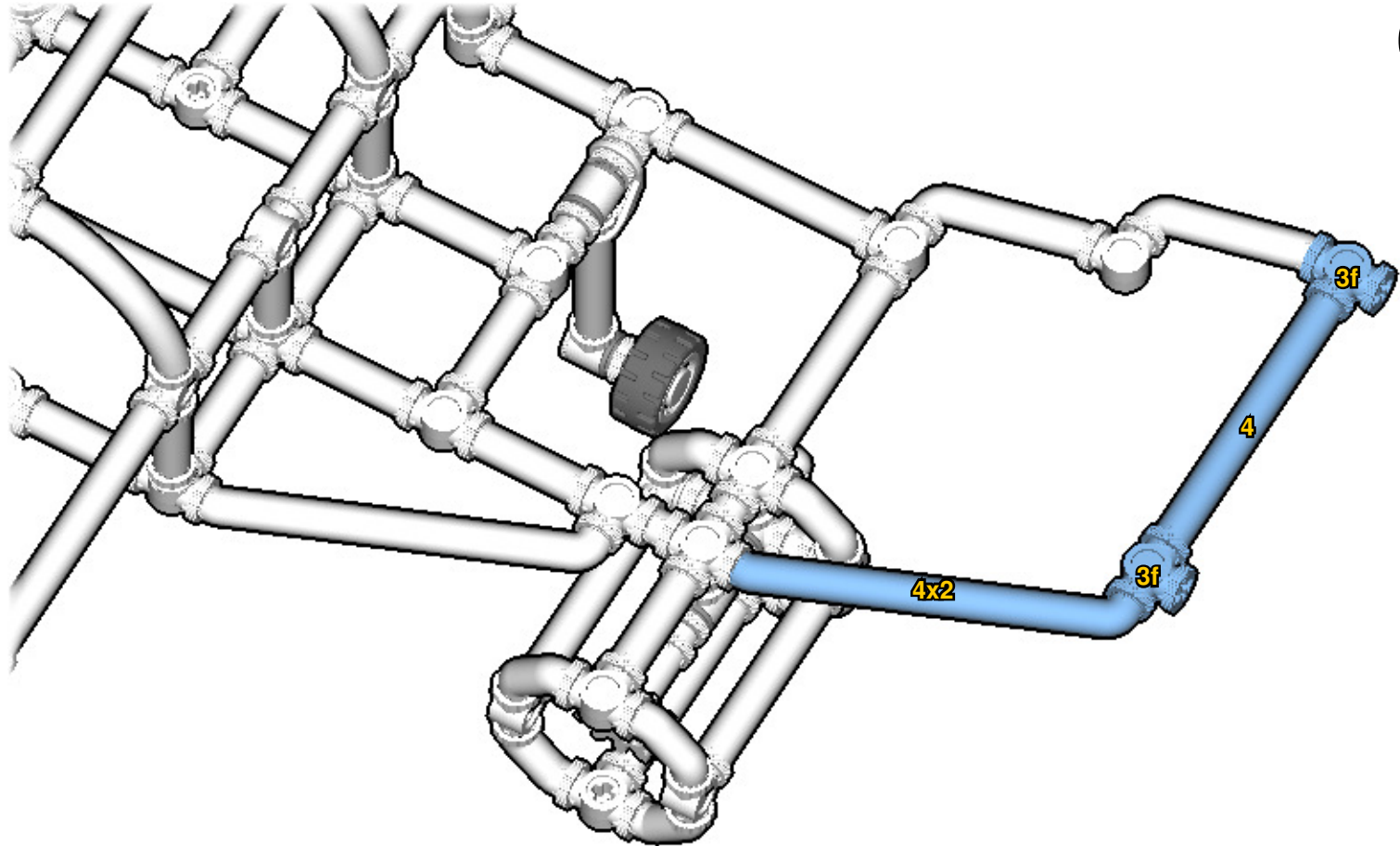




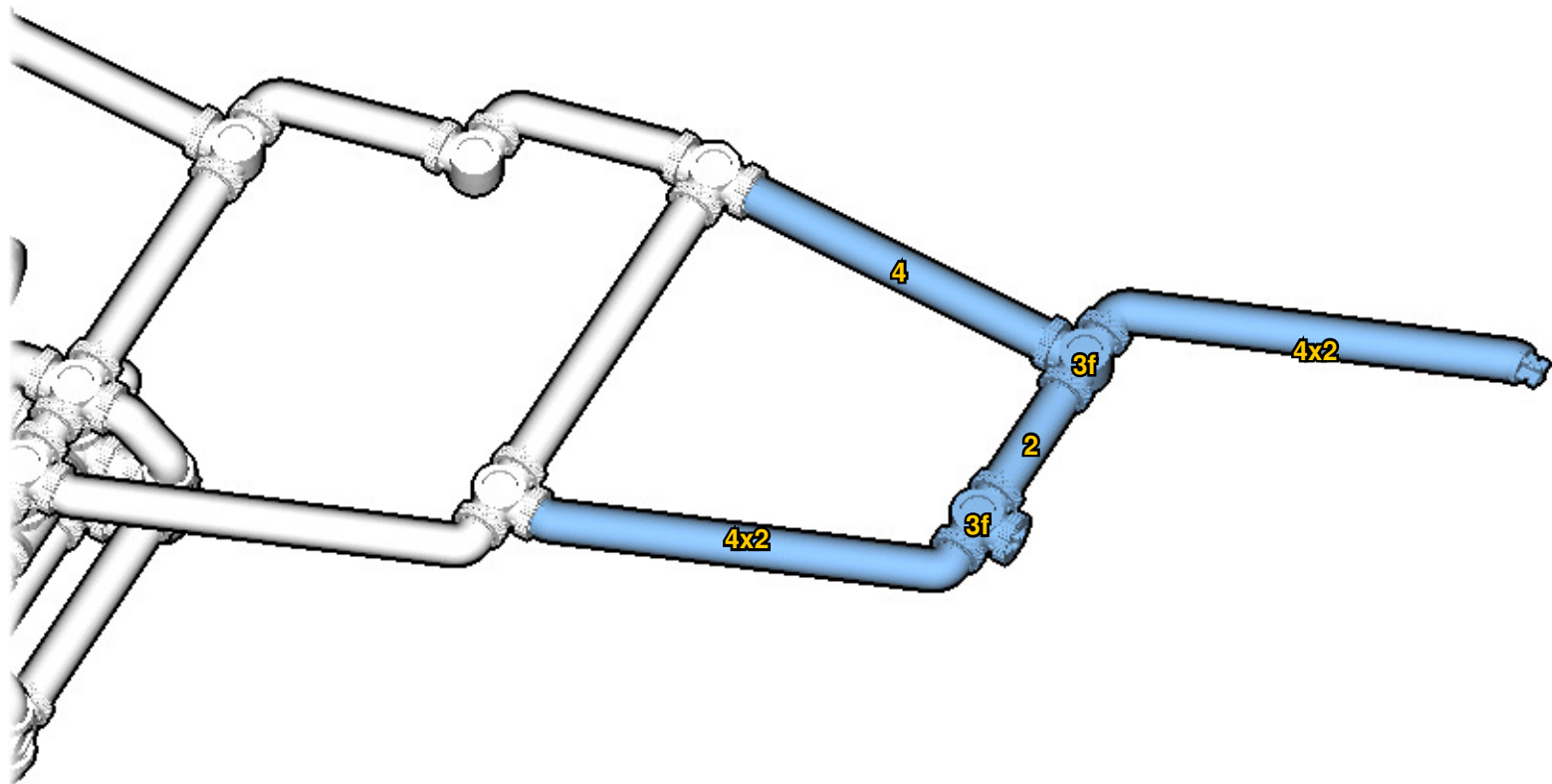
 Copy new pieces from old pieces.



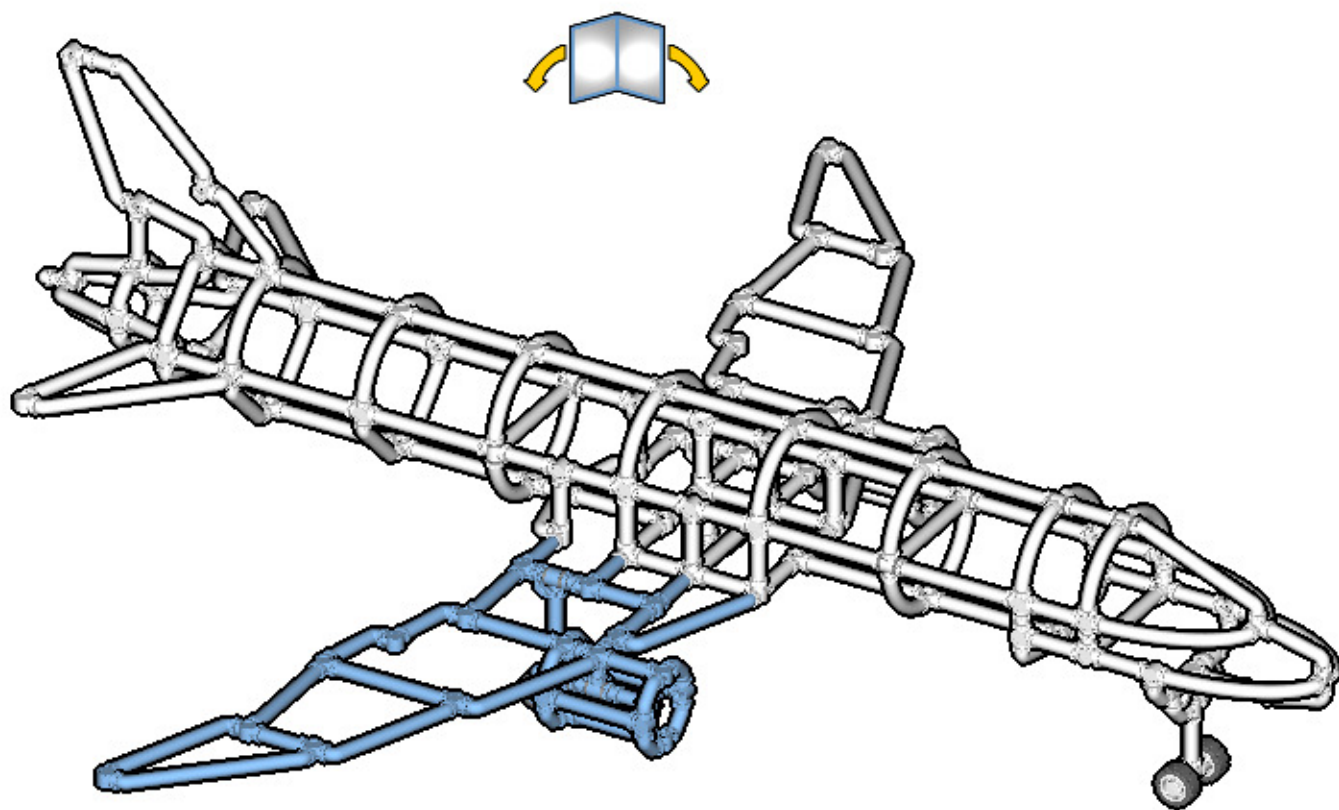
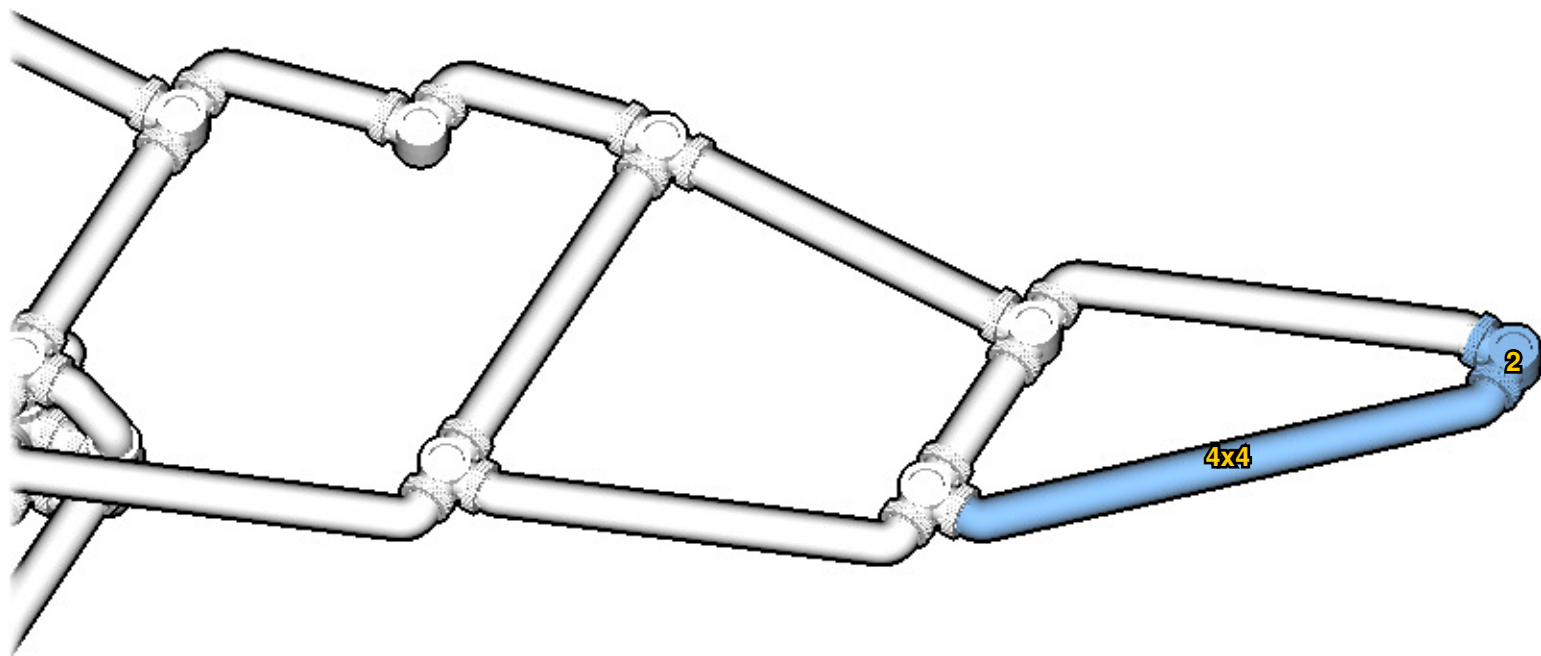
61



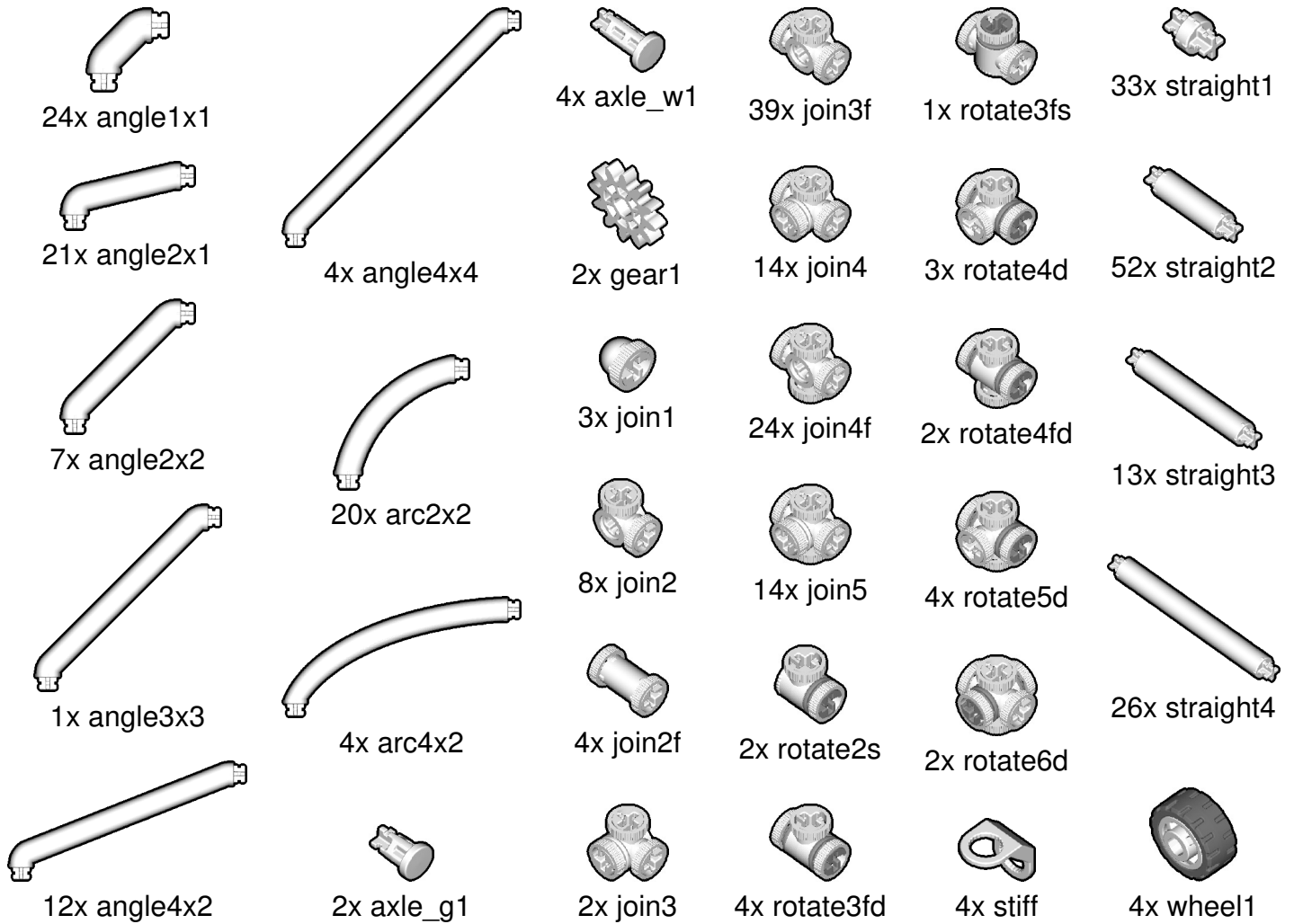
62







# INVENTORY



## ACTUAL SIZE

