

MARS ROVER

| | | | |
|----------|-----------------------|---------|--------|
| SIZE | 1.7ft x 1.0ft x 0.7ft | PIECES | 332 |
| DESIGNER | Charles Sharman | MADE IN | U.S.A. |

⚠ WARNING: Small parts. Age 14+. Not a toy. Handle responsibly. U.S. Patent 9,086,087.



Wrong
Connecting/Disconnecting Two Directions



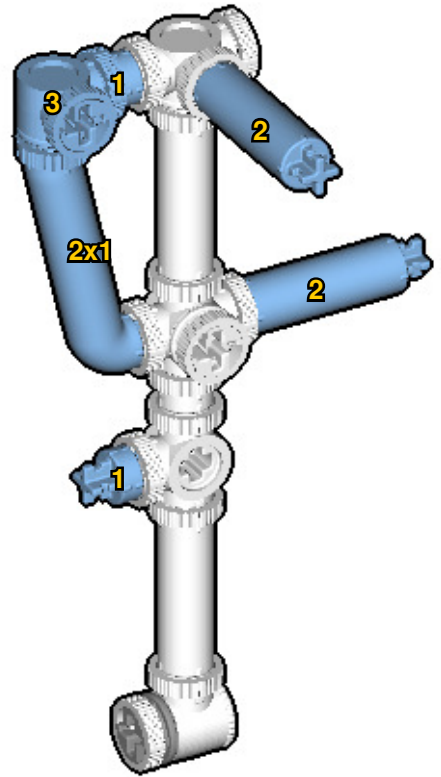
Right
Connecting/Disconnecting One Direction

1

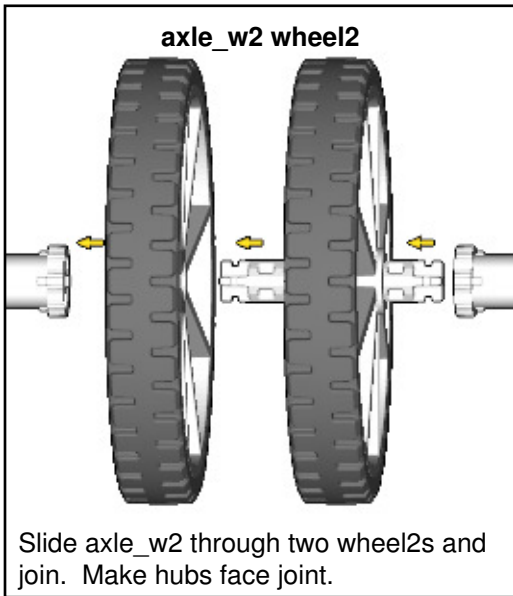


New pieces are drawn blue. Old pieces are drawn white.
See back for piece names.

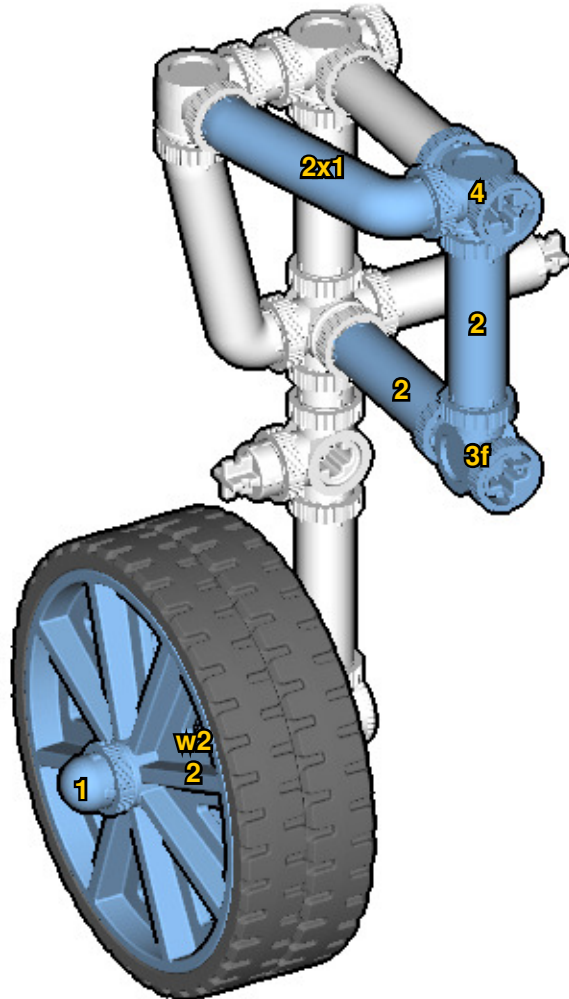
2



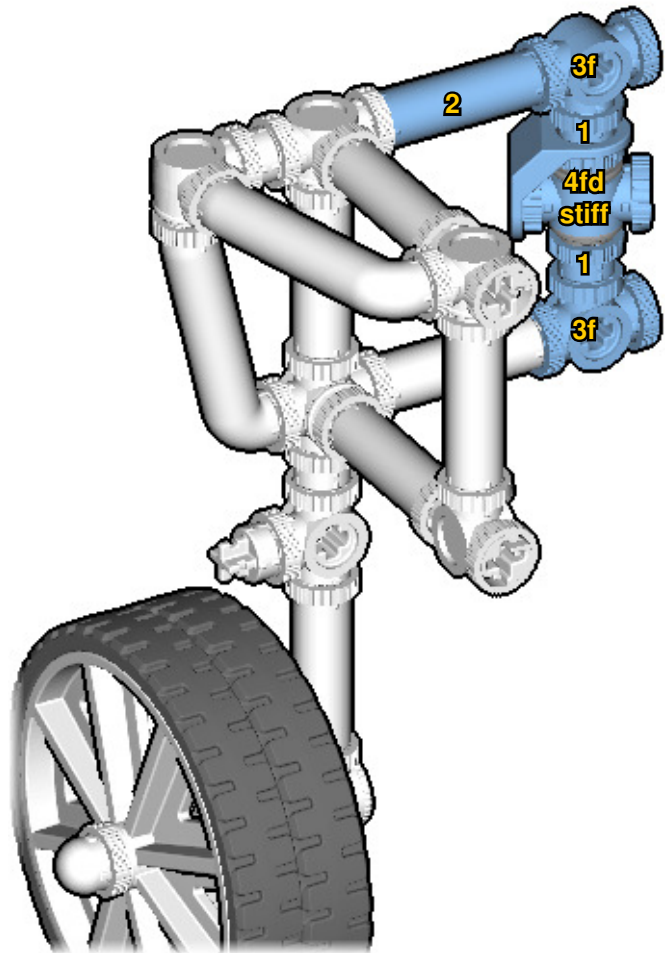
Connect new pieces together before connecting to old pieces.



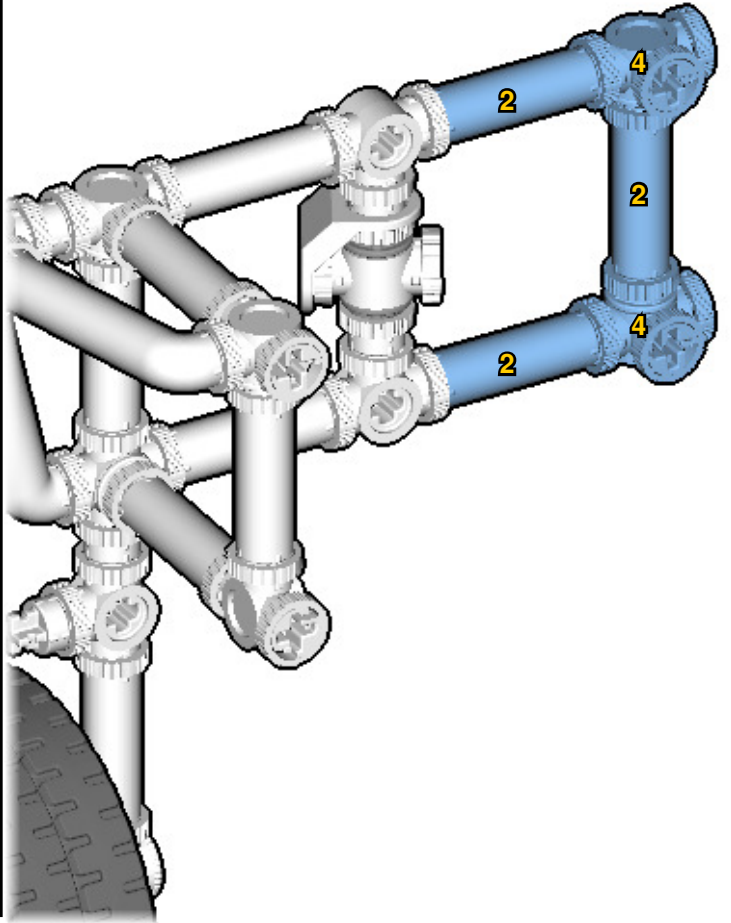
3



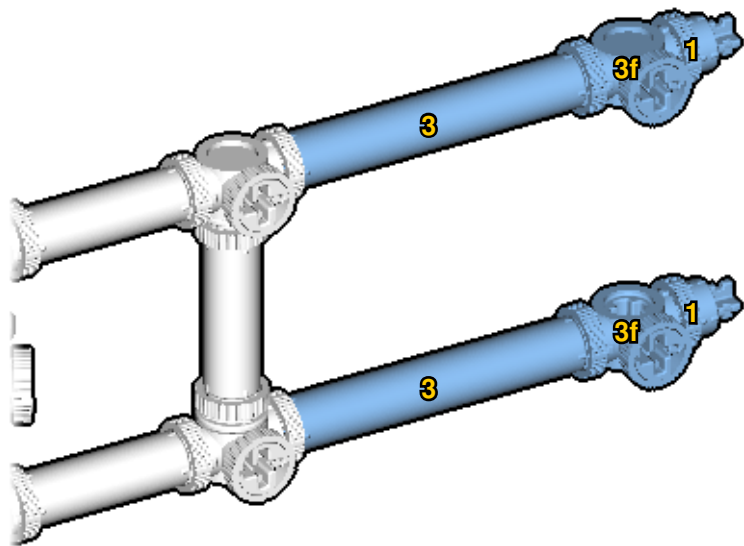
4



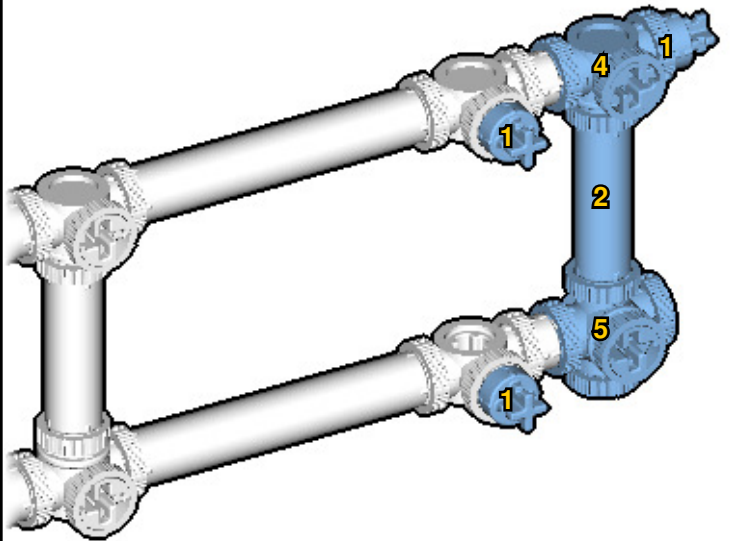
5



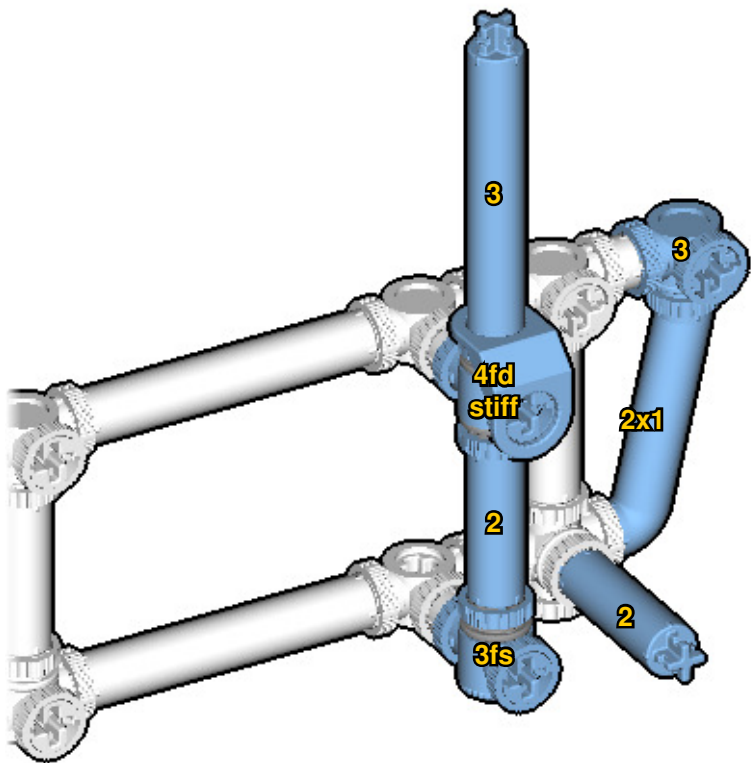
6



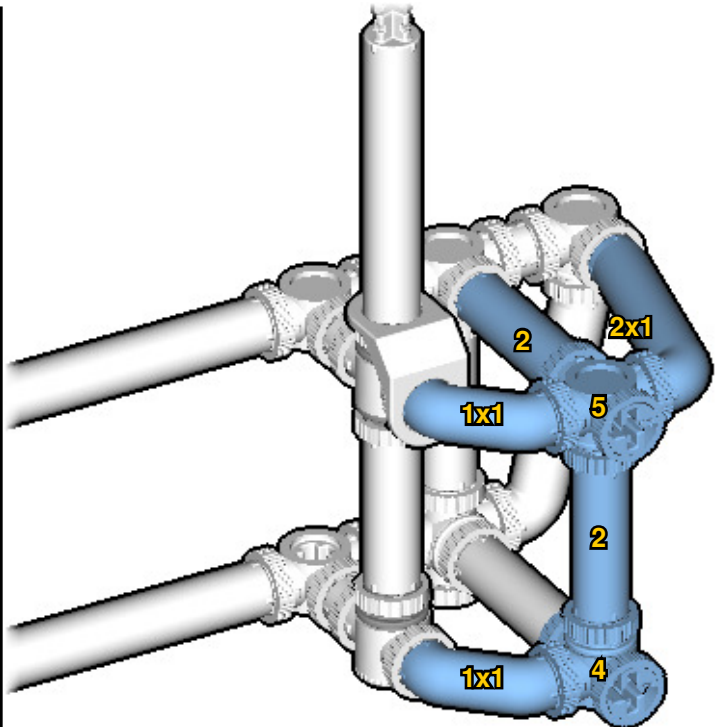
7



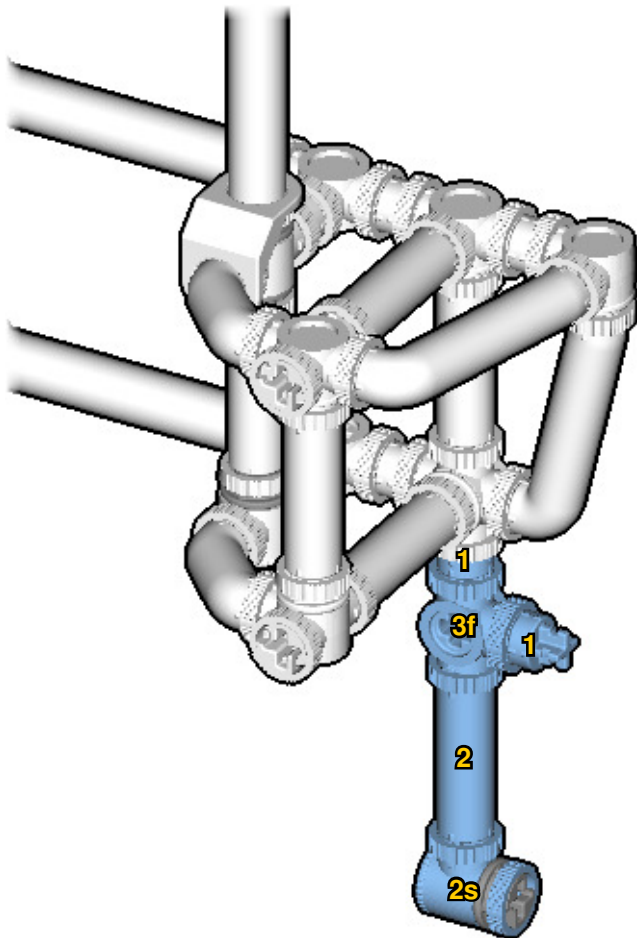
8



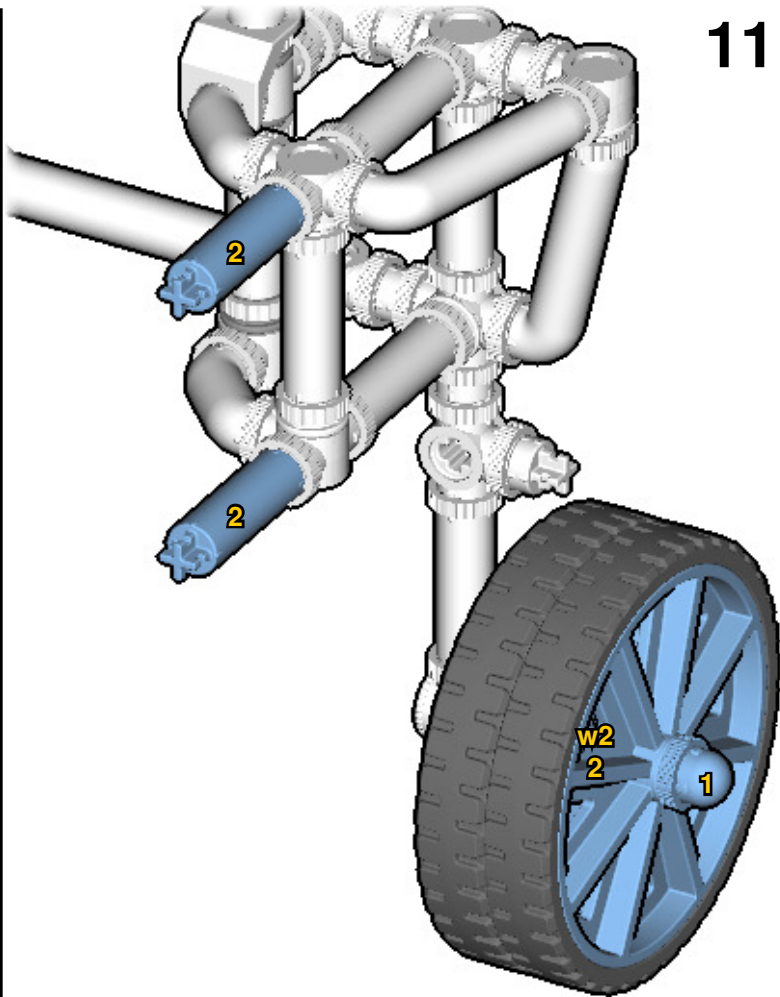
9

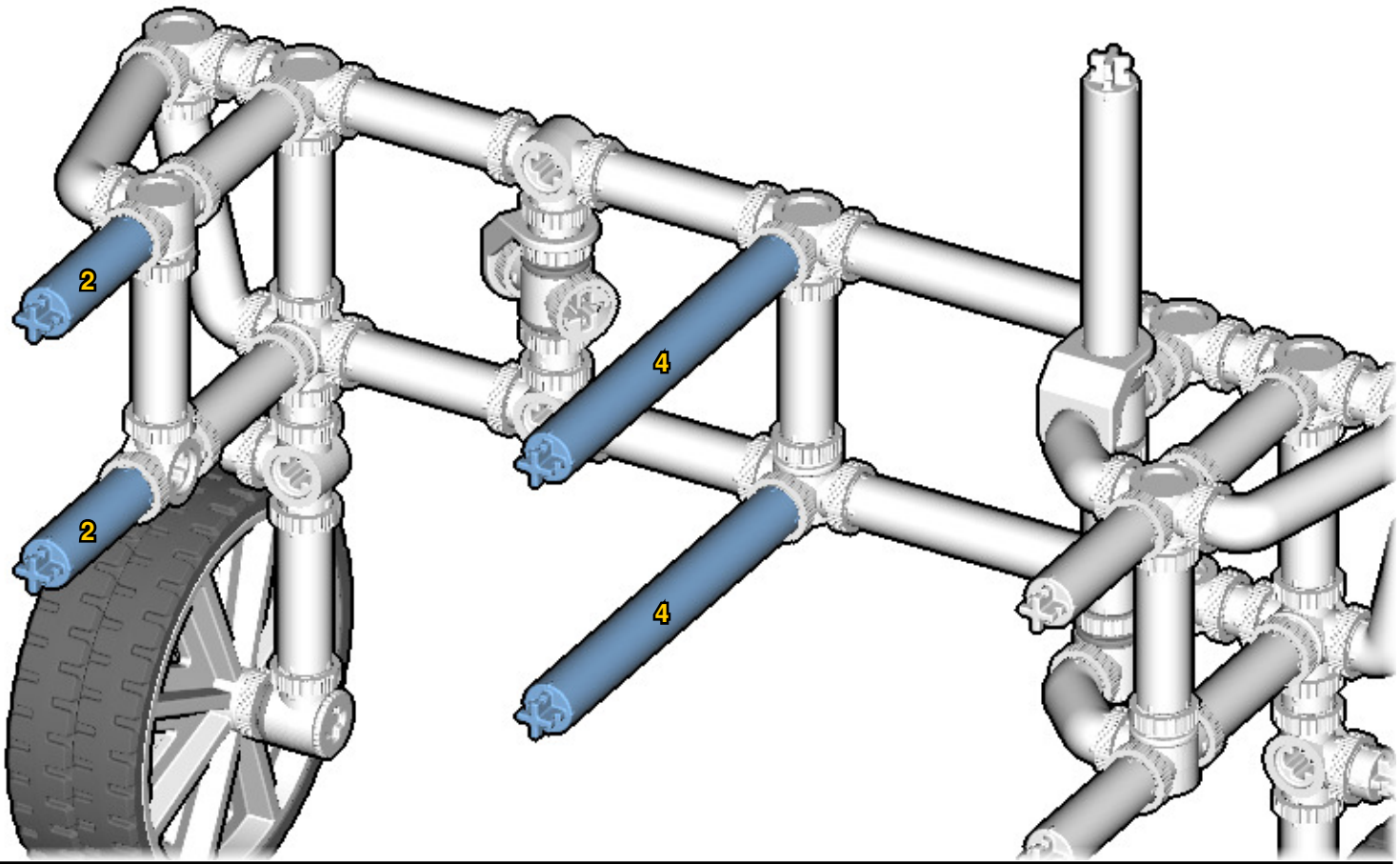


10

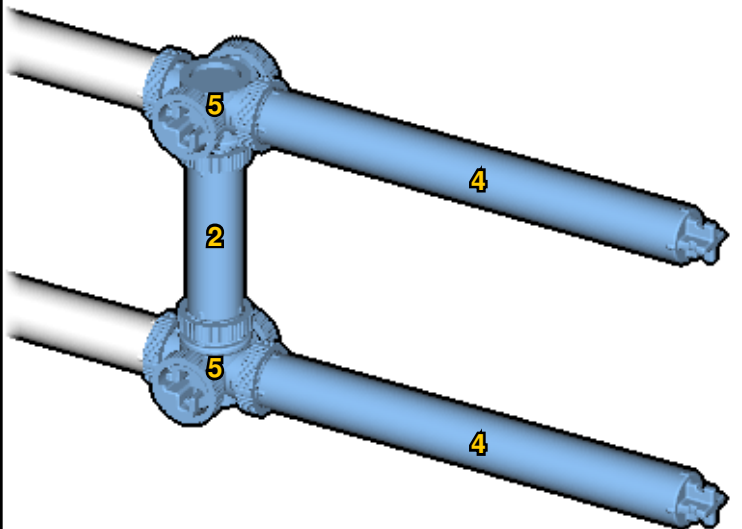
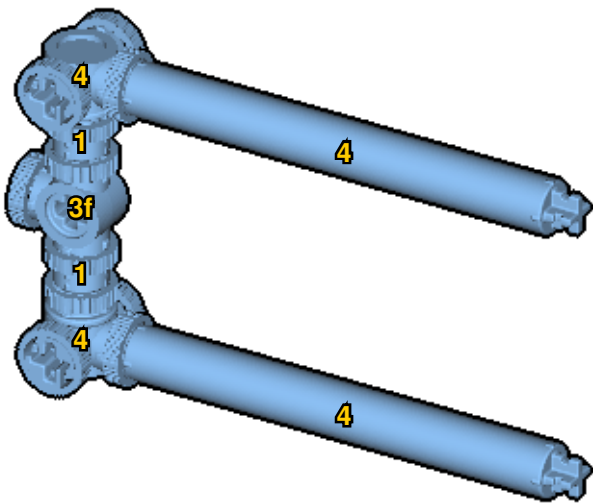


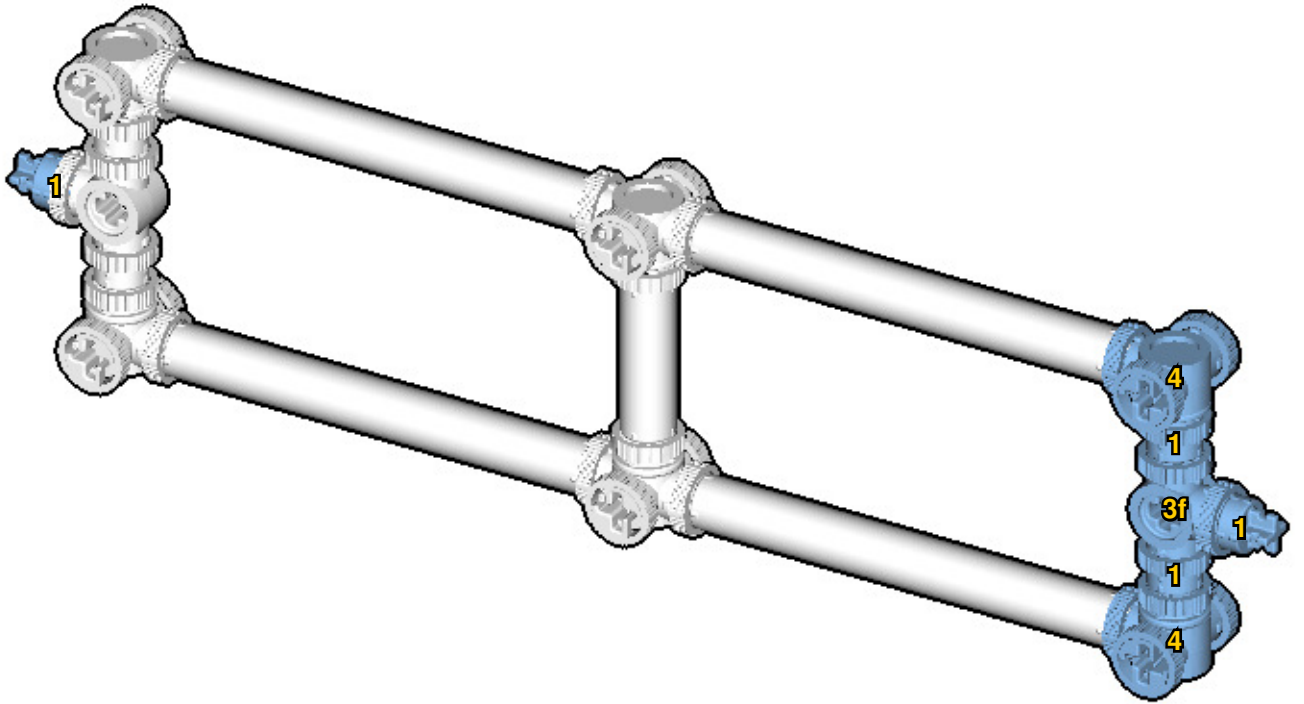
11



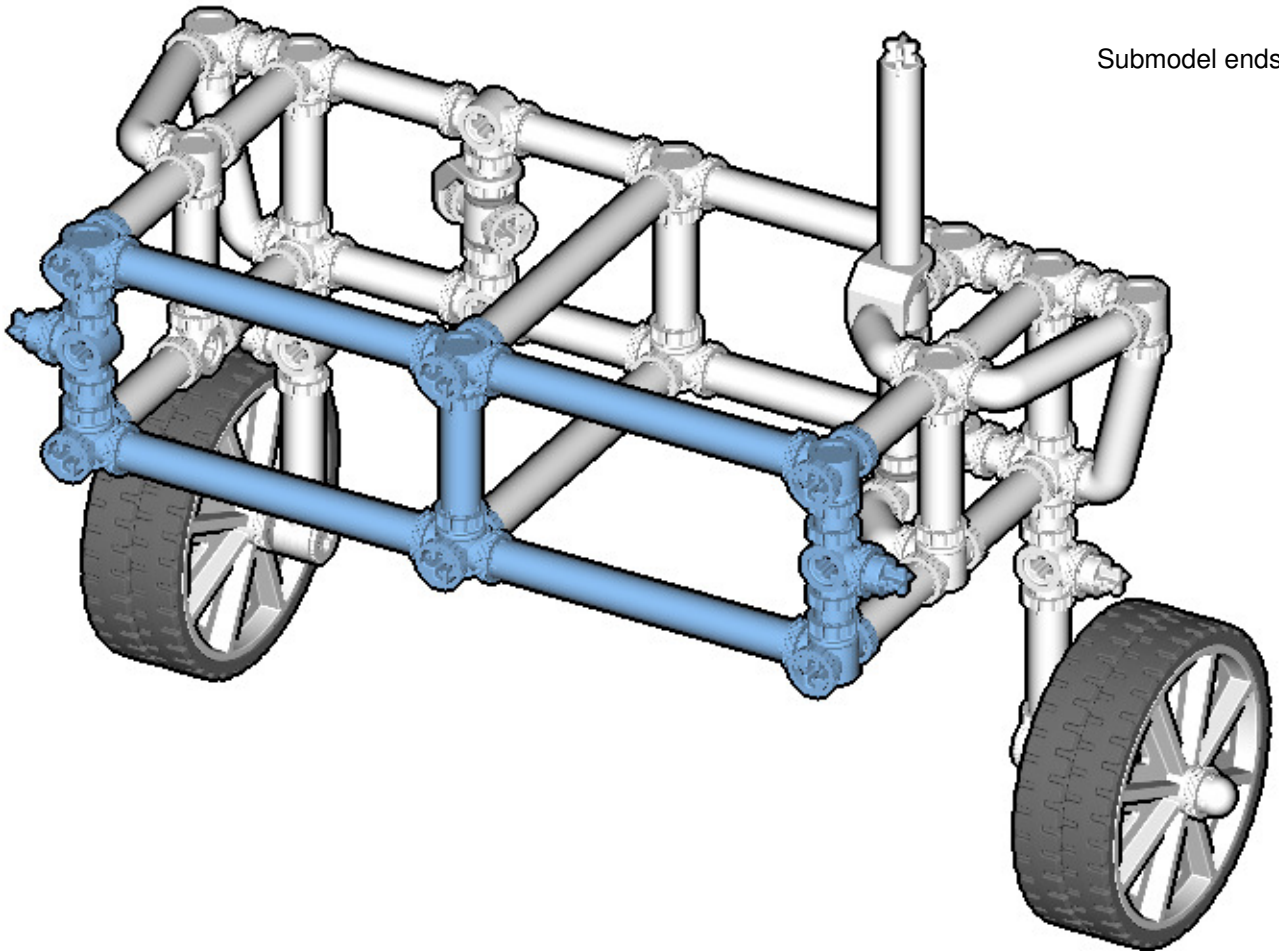


Submodel begins → **13**

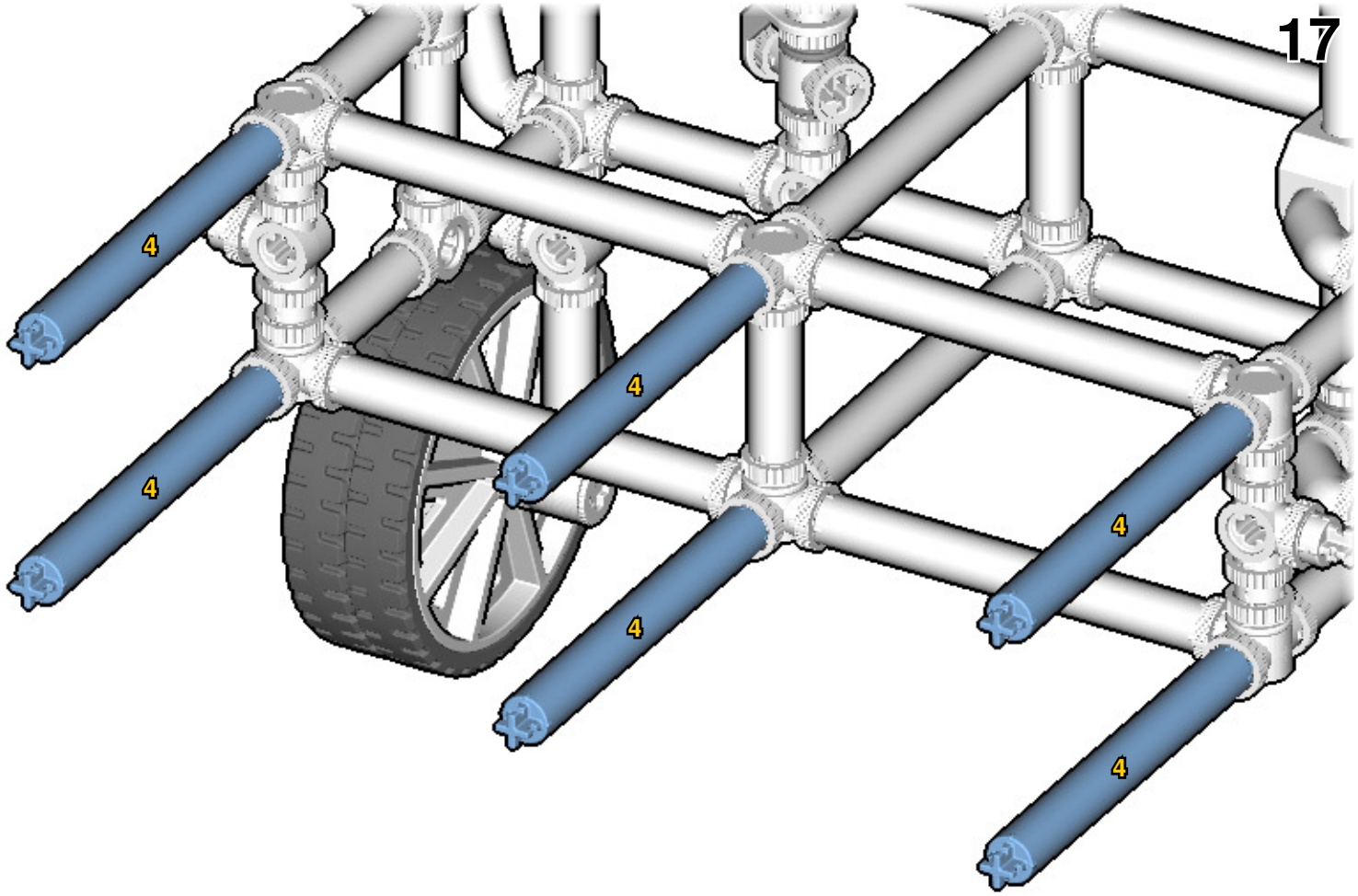




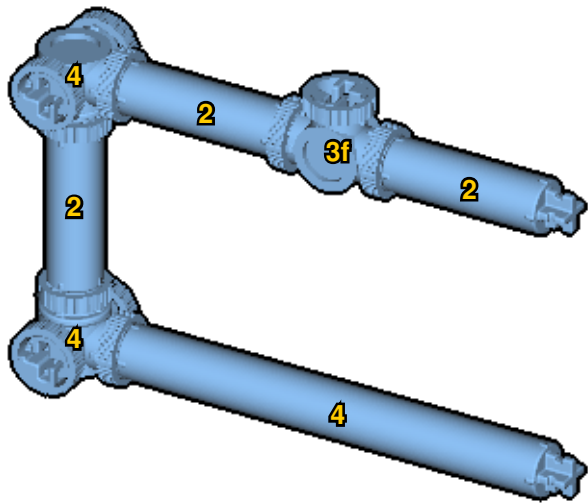
Submodel ends → **16**



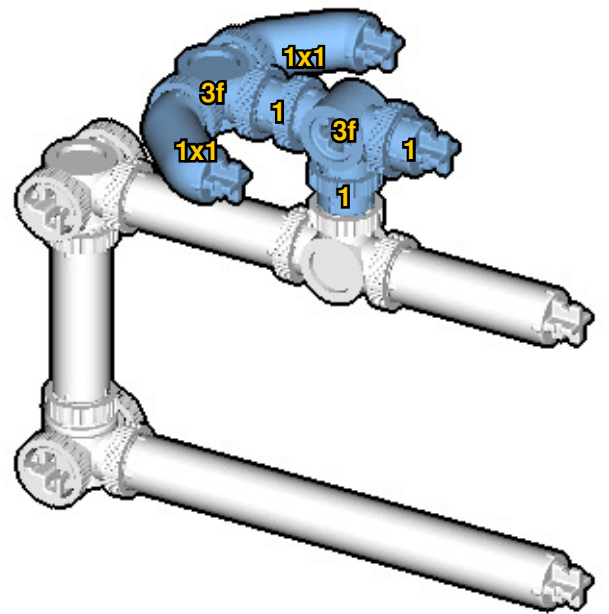
Connect submodel to model.



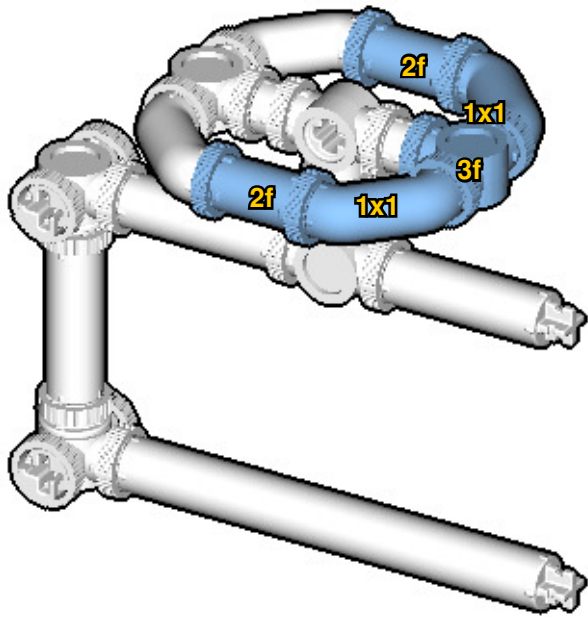
18



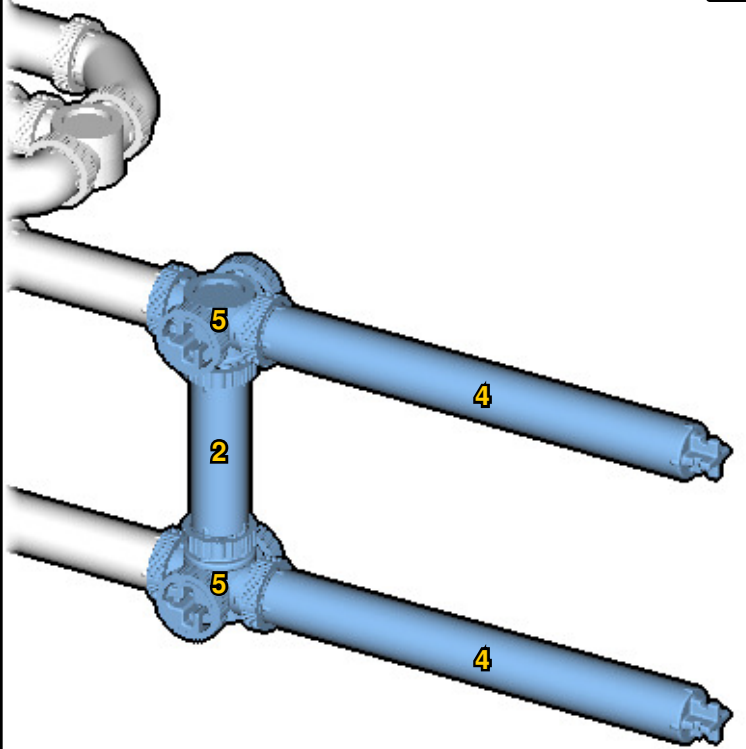
19



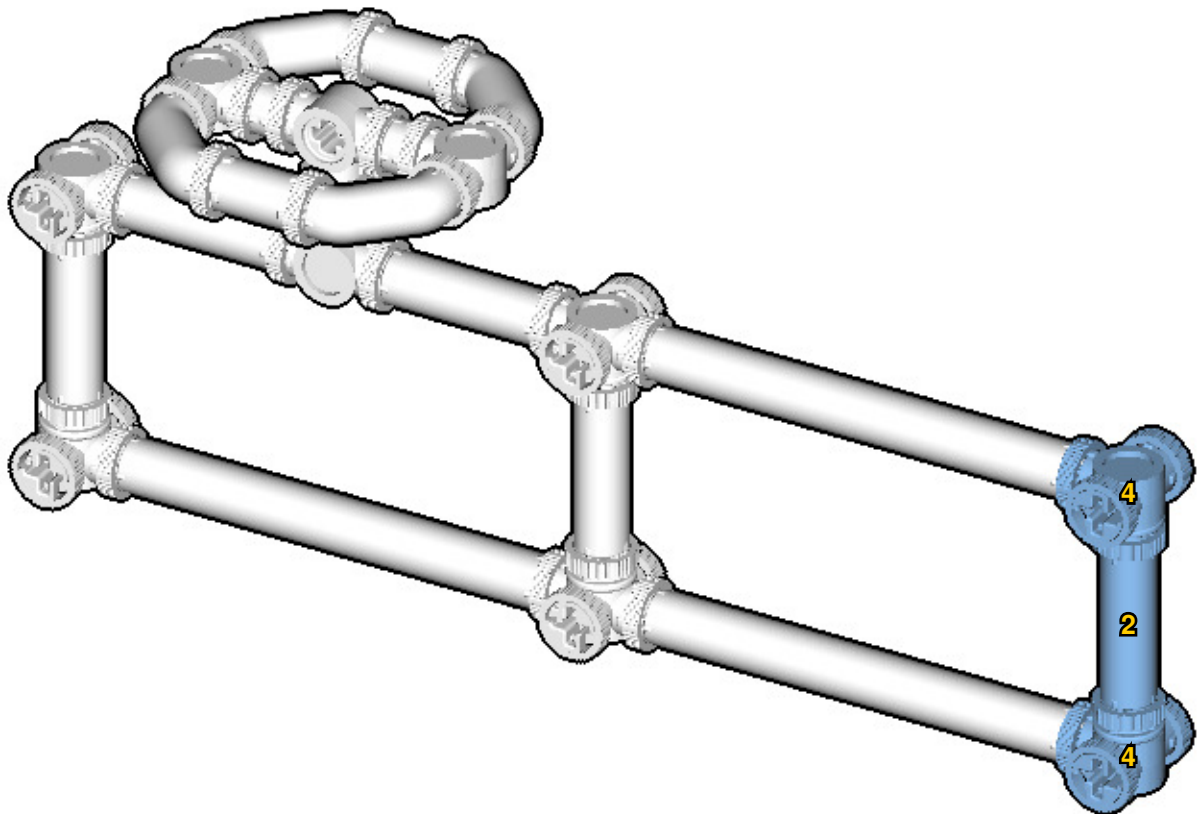
20

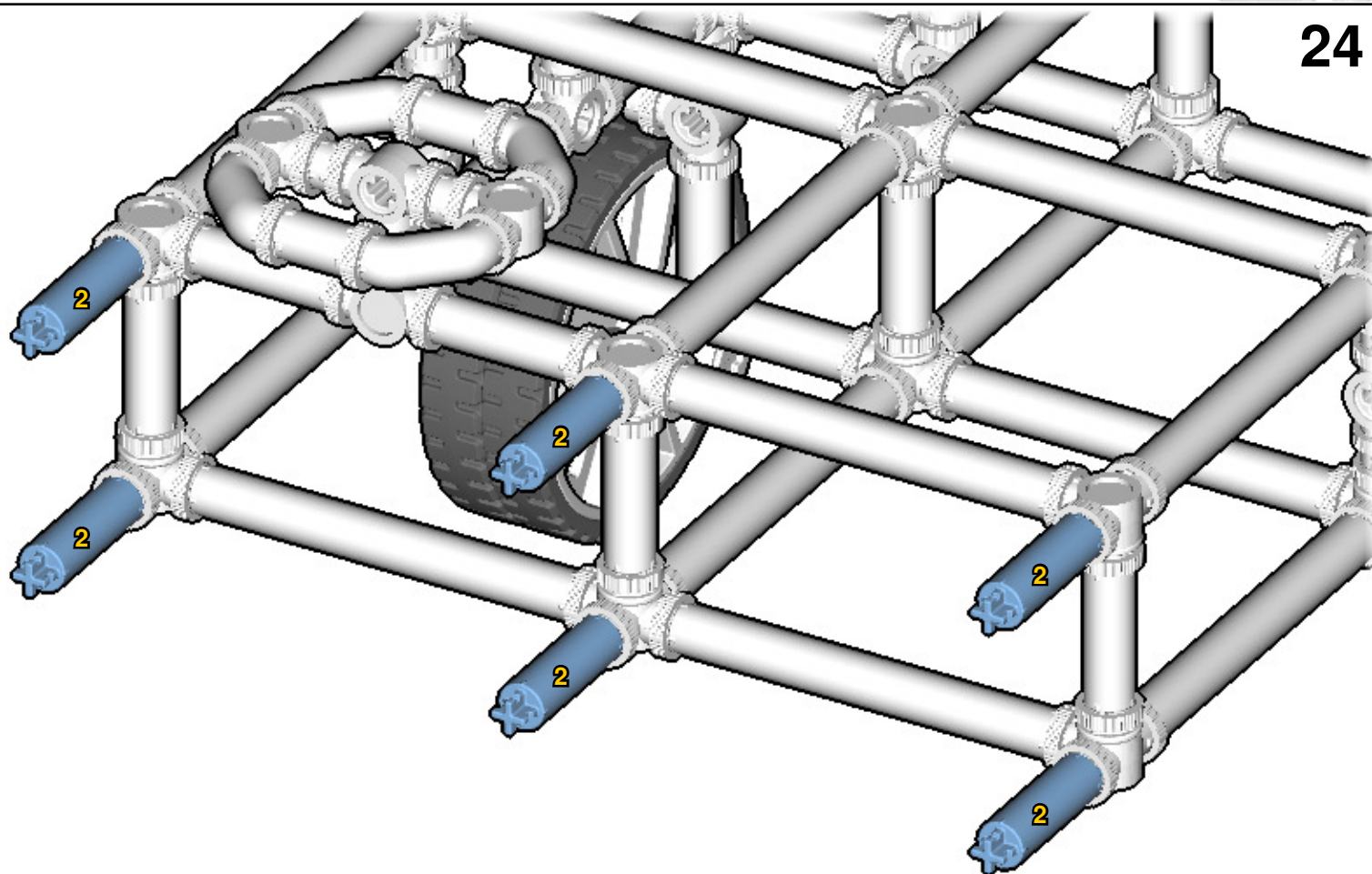
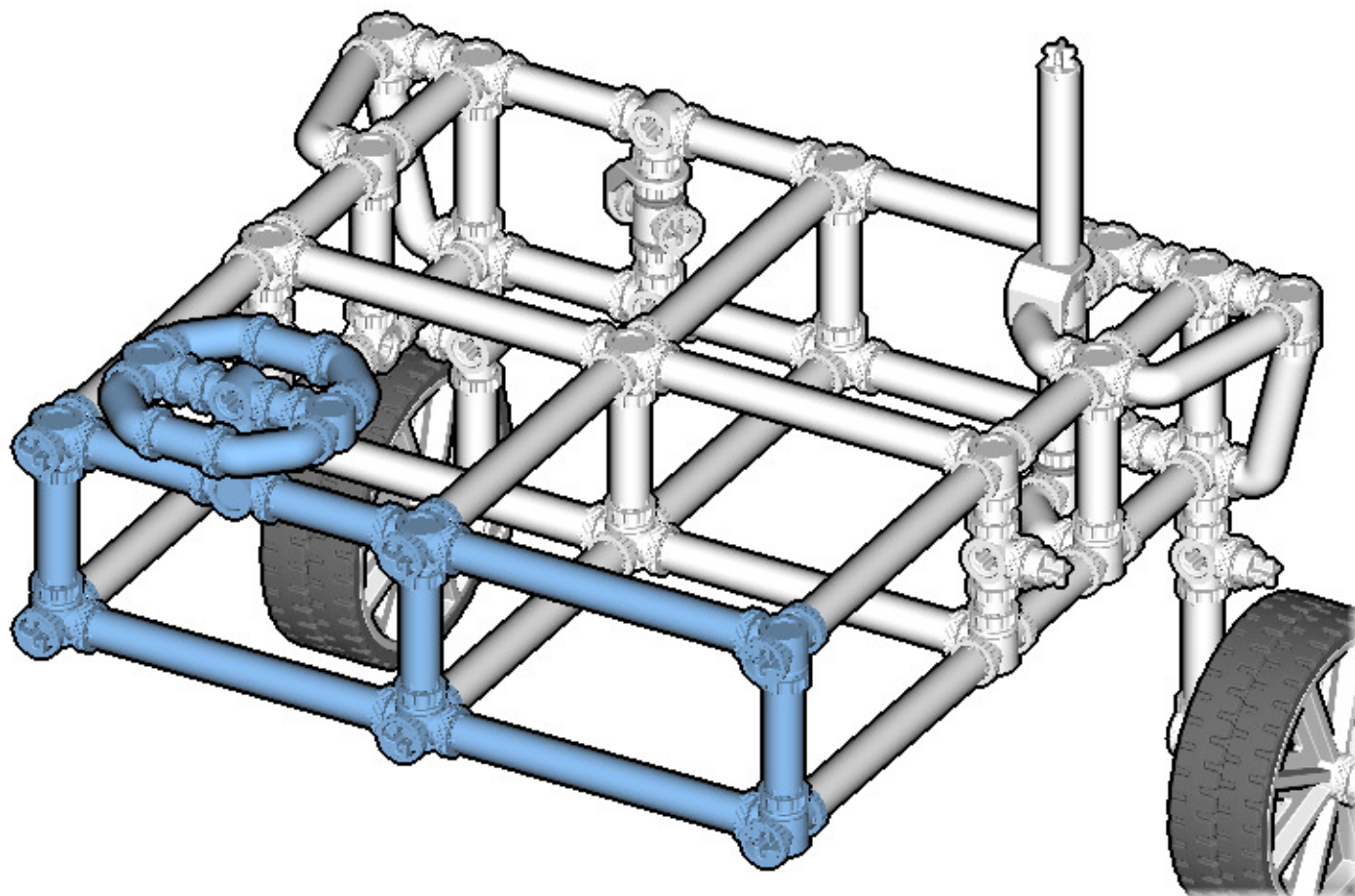


21

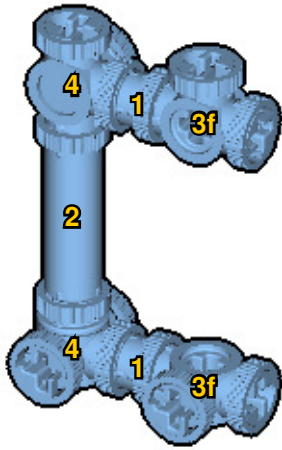


22

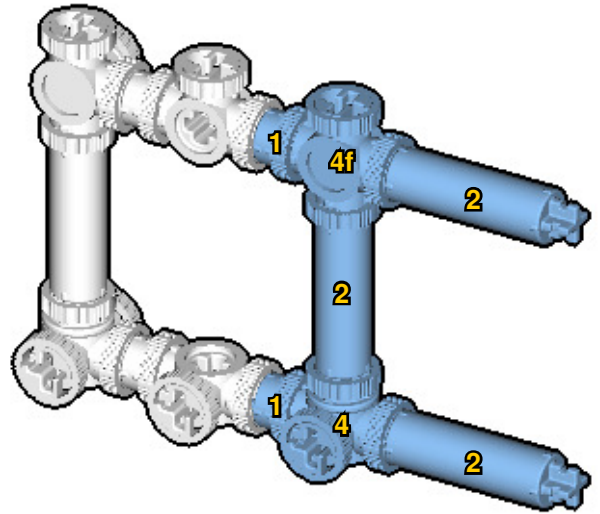




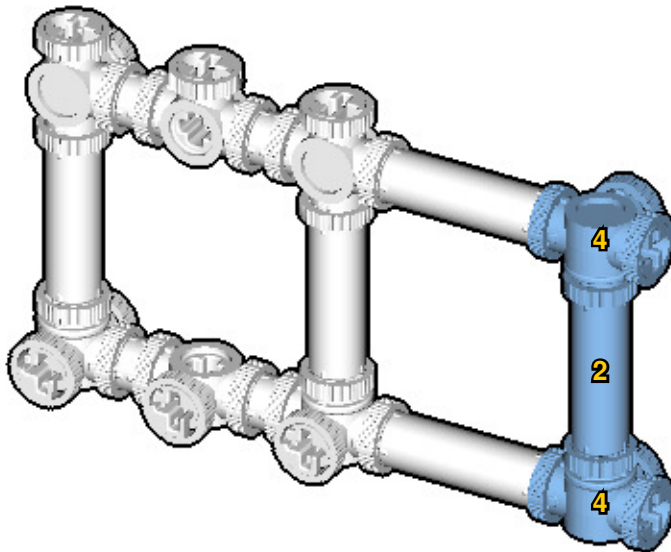
25

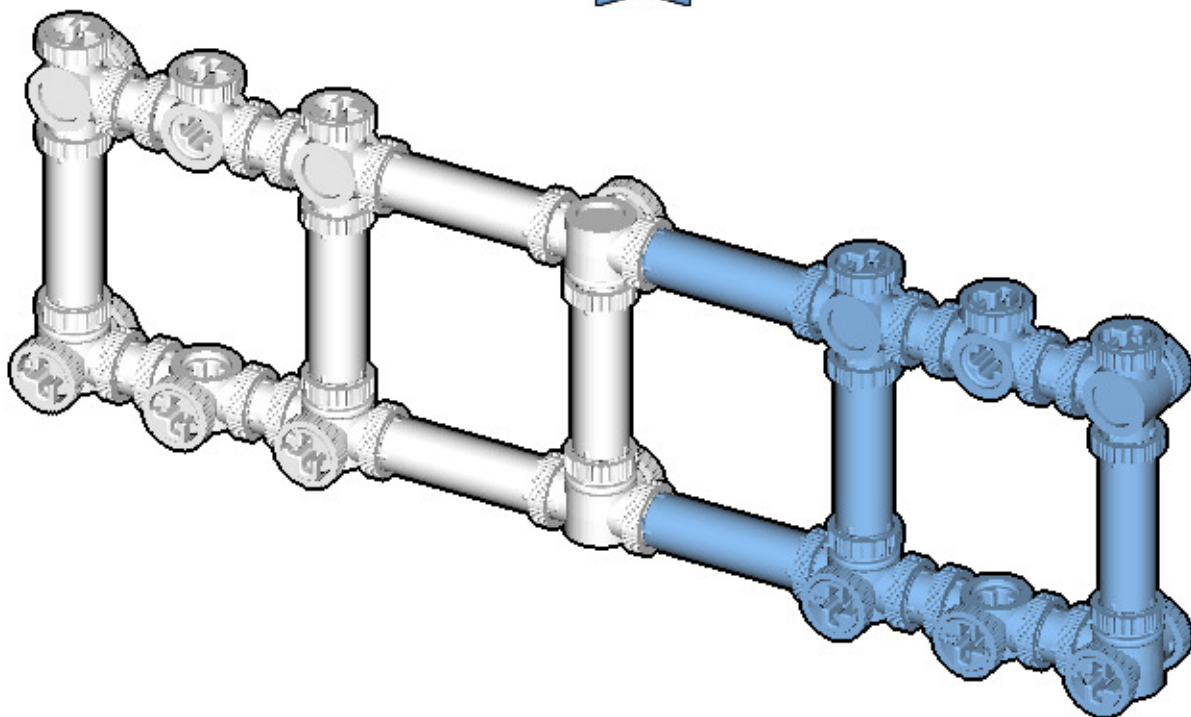


26

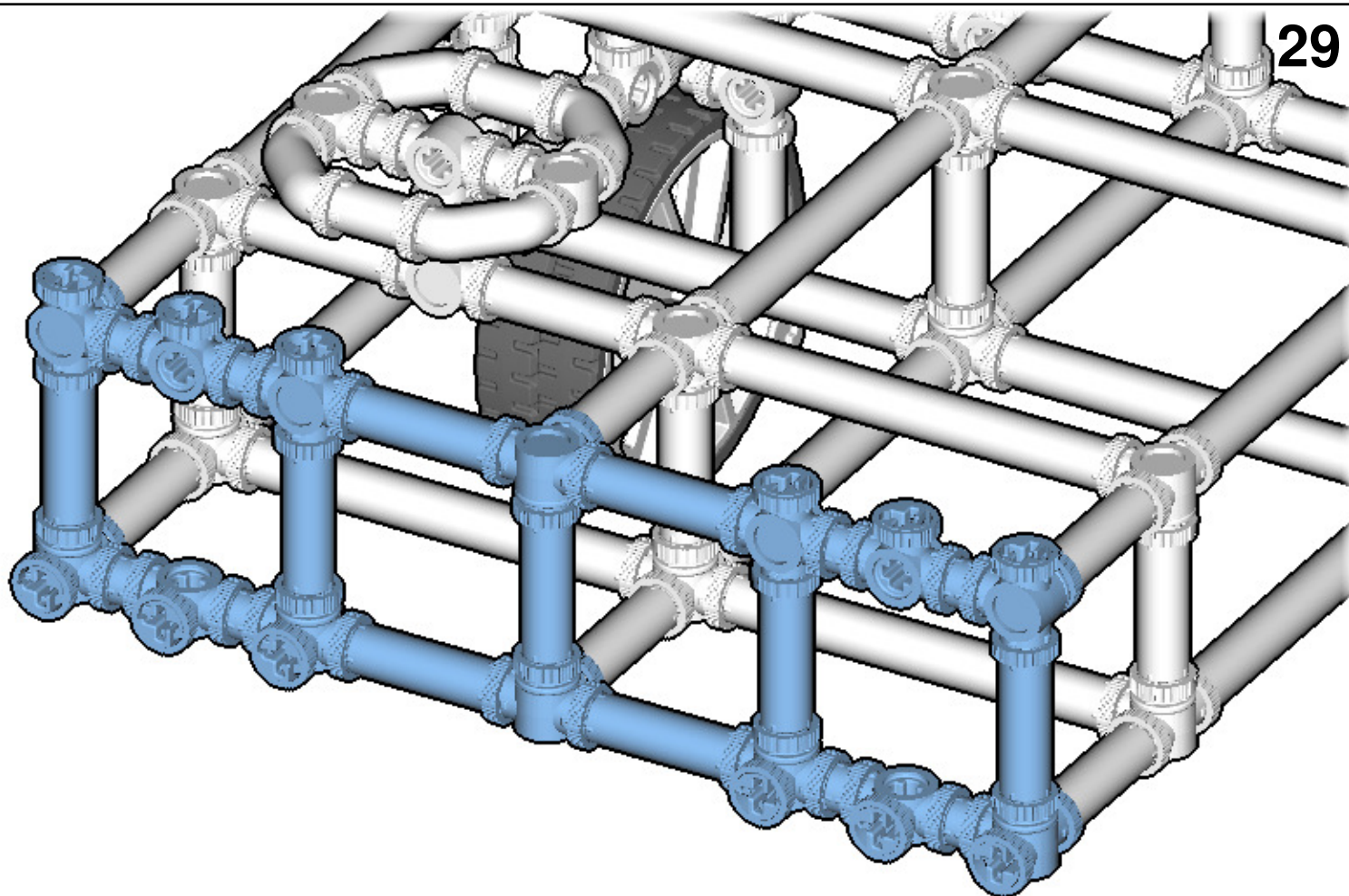


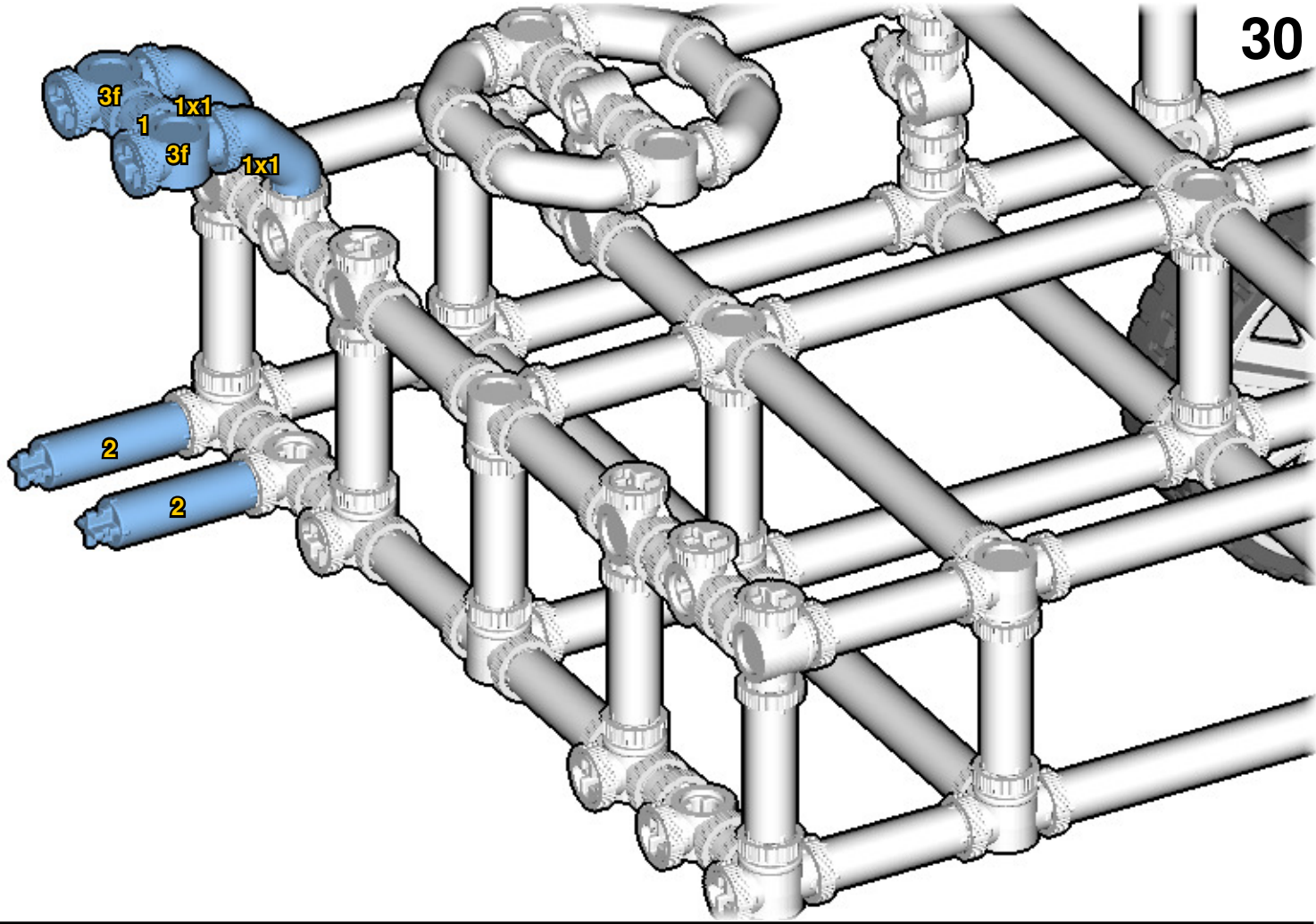
27





 : Copy new pieces from old pieces.

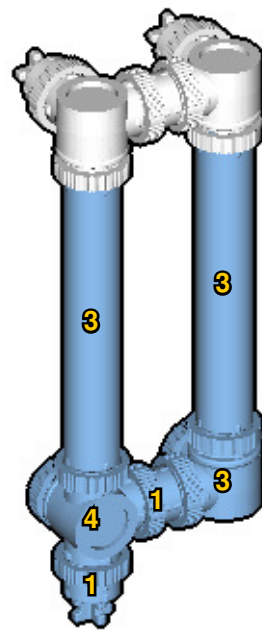




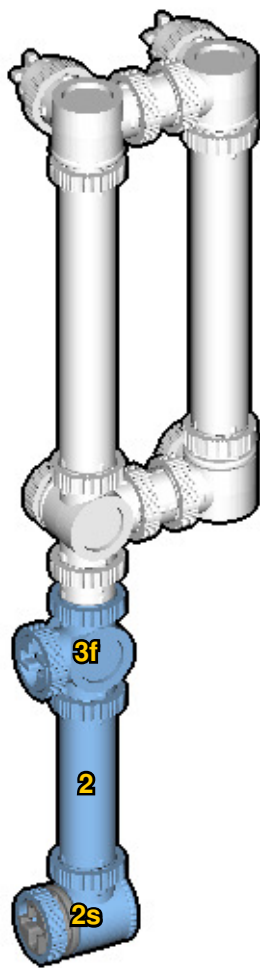
31



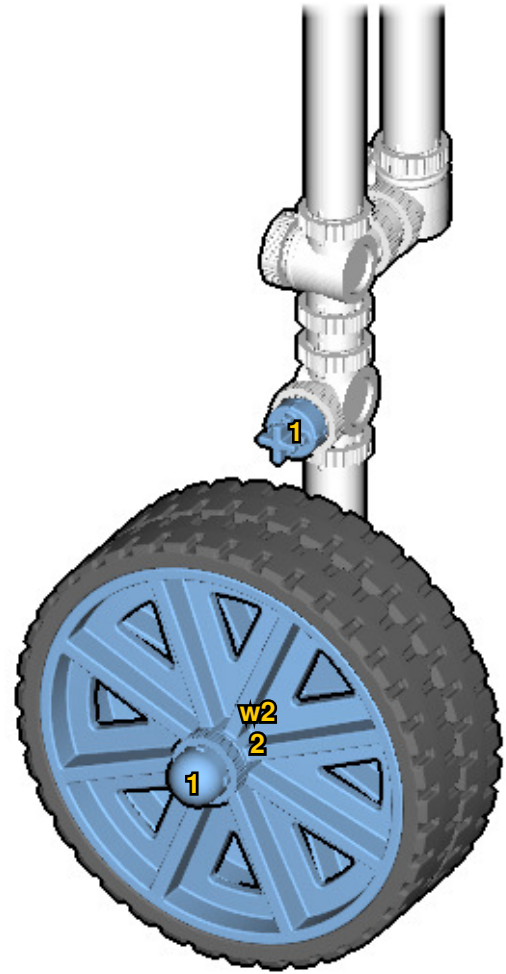
32



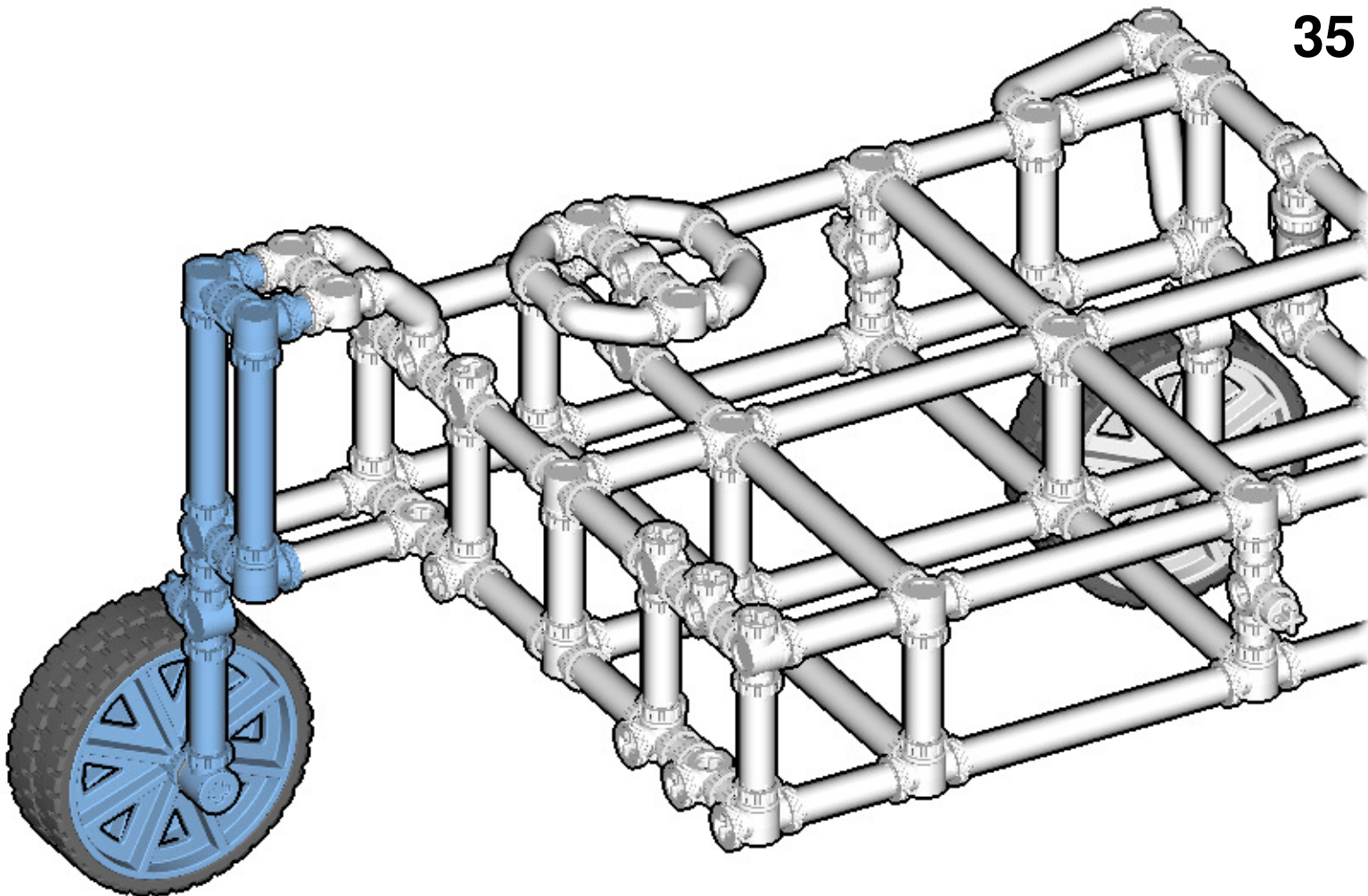
33

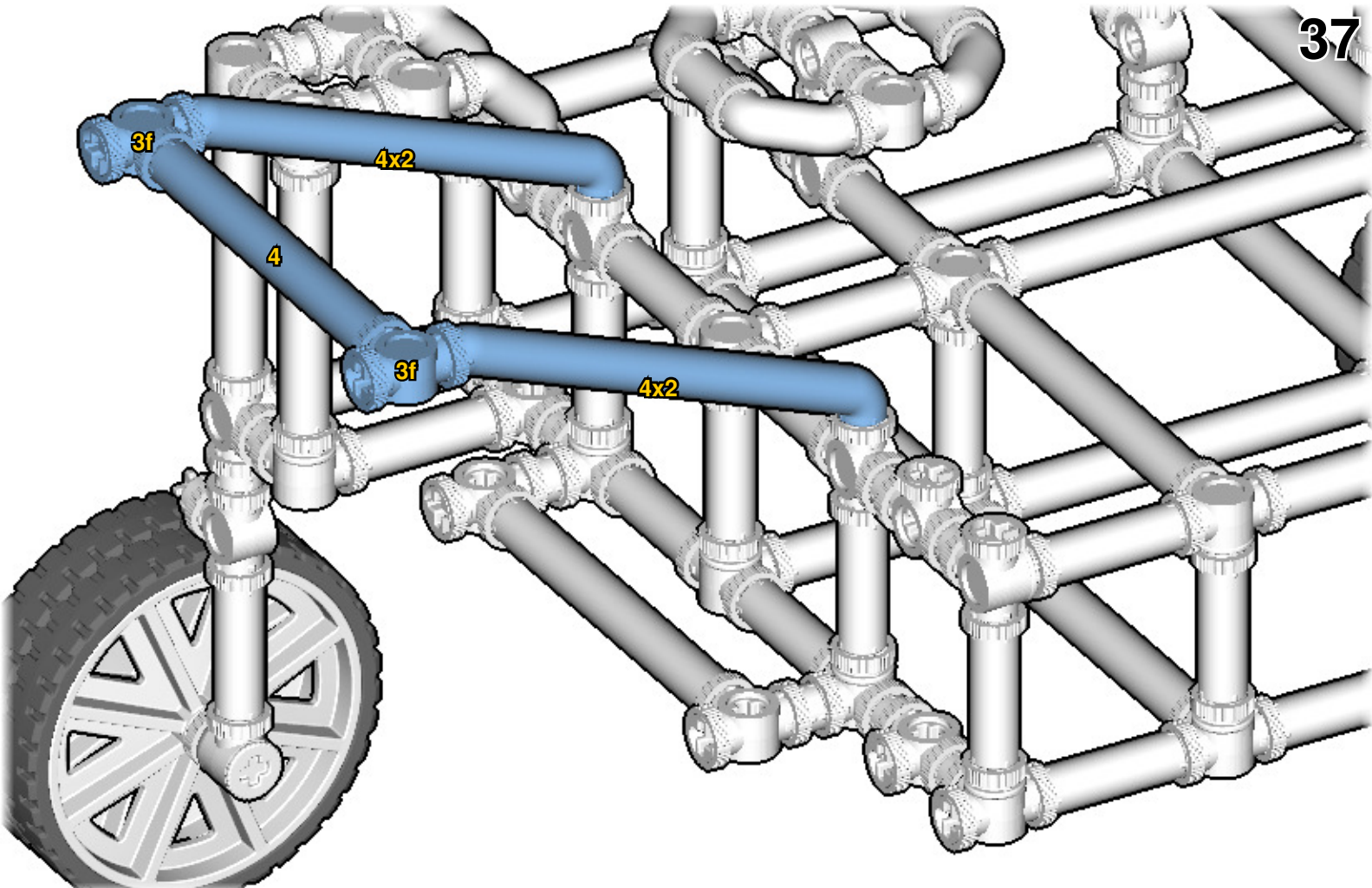
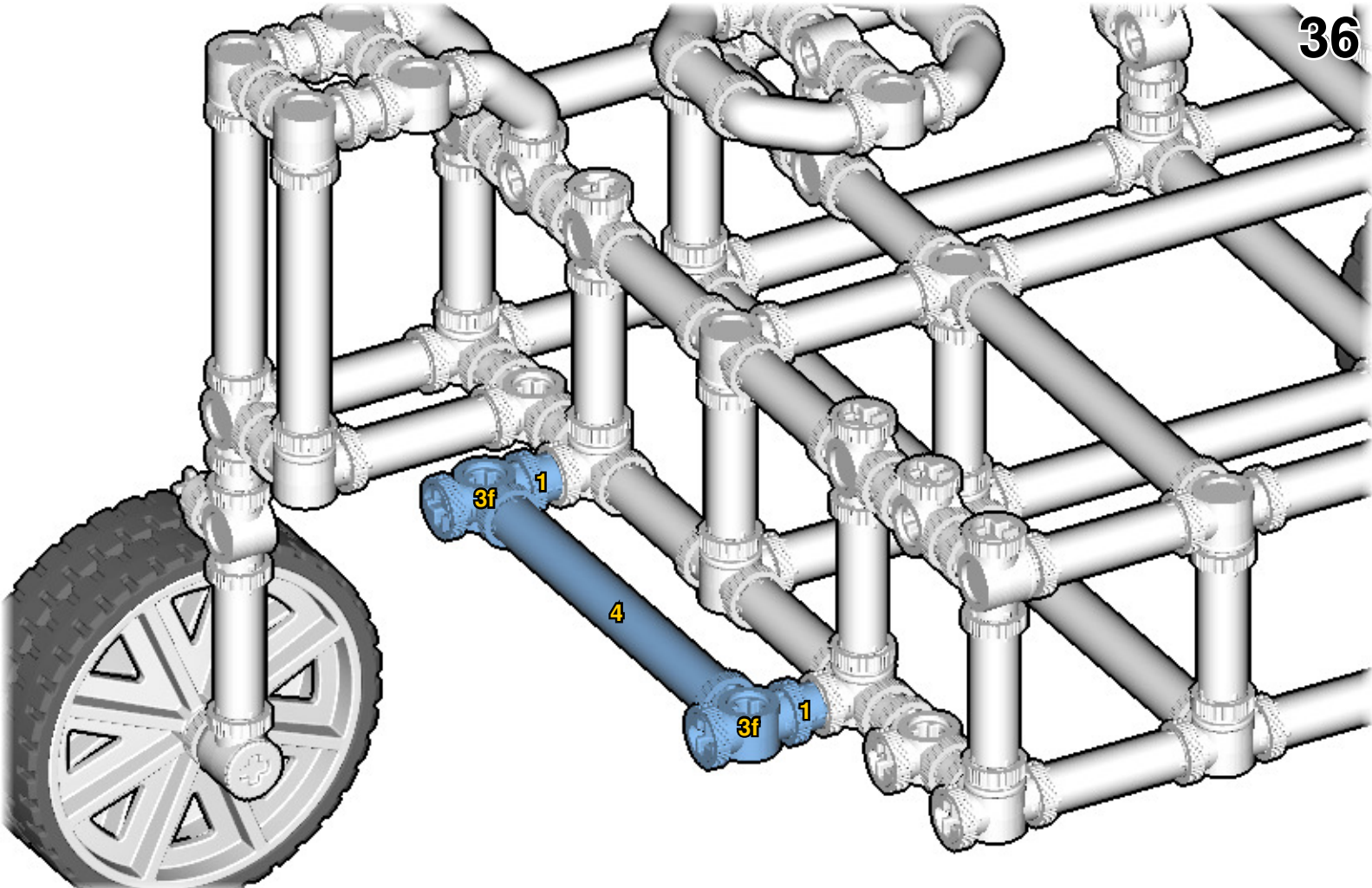


34

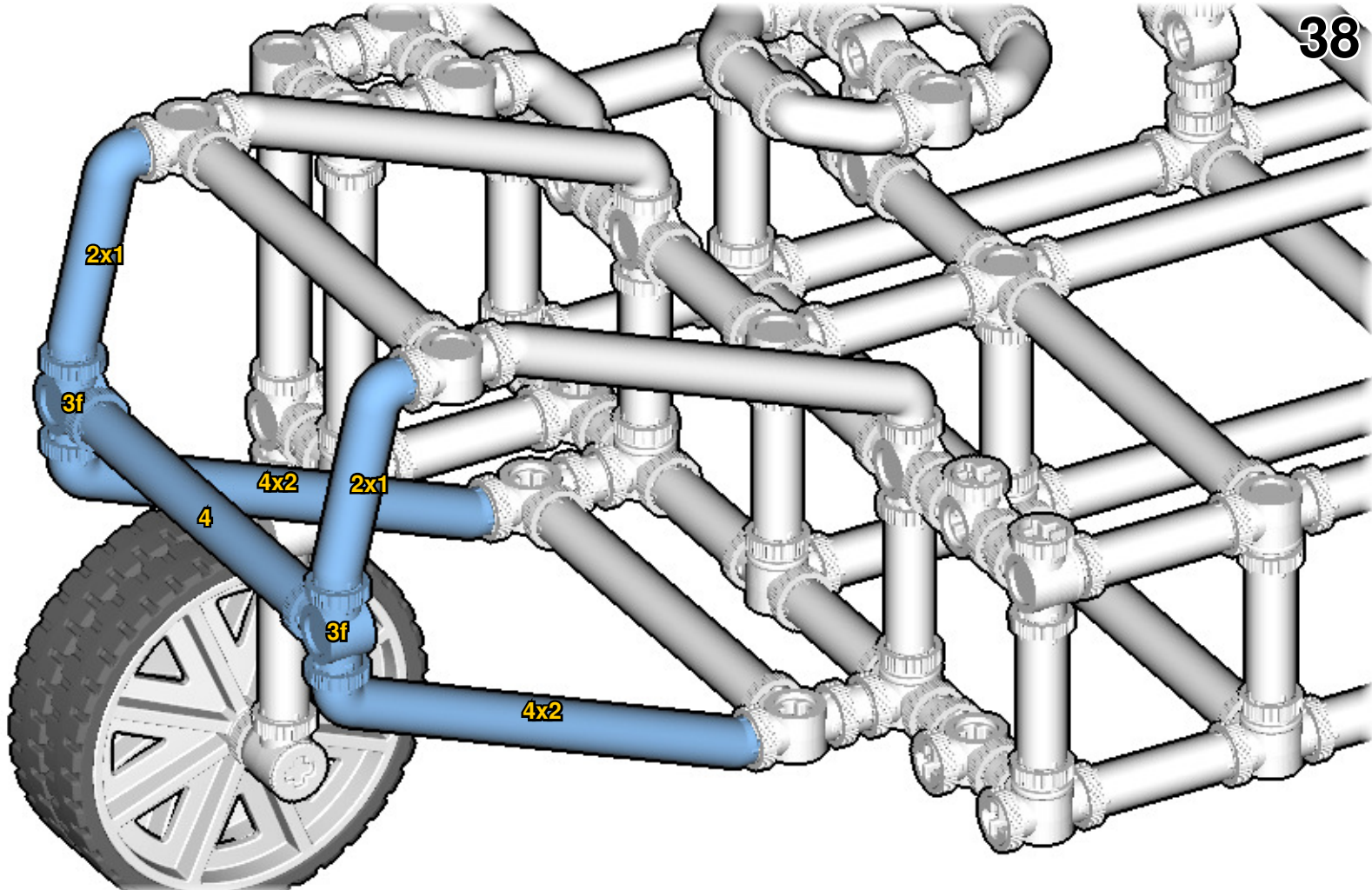


35

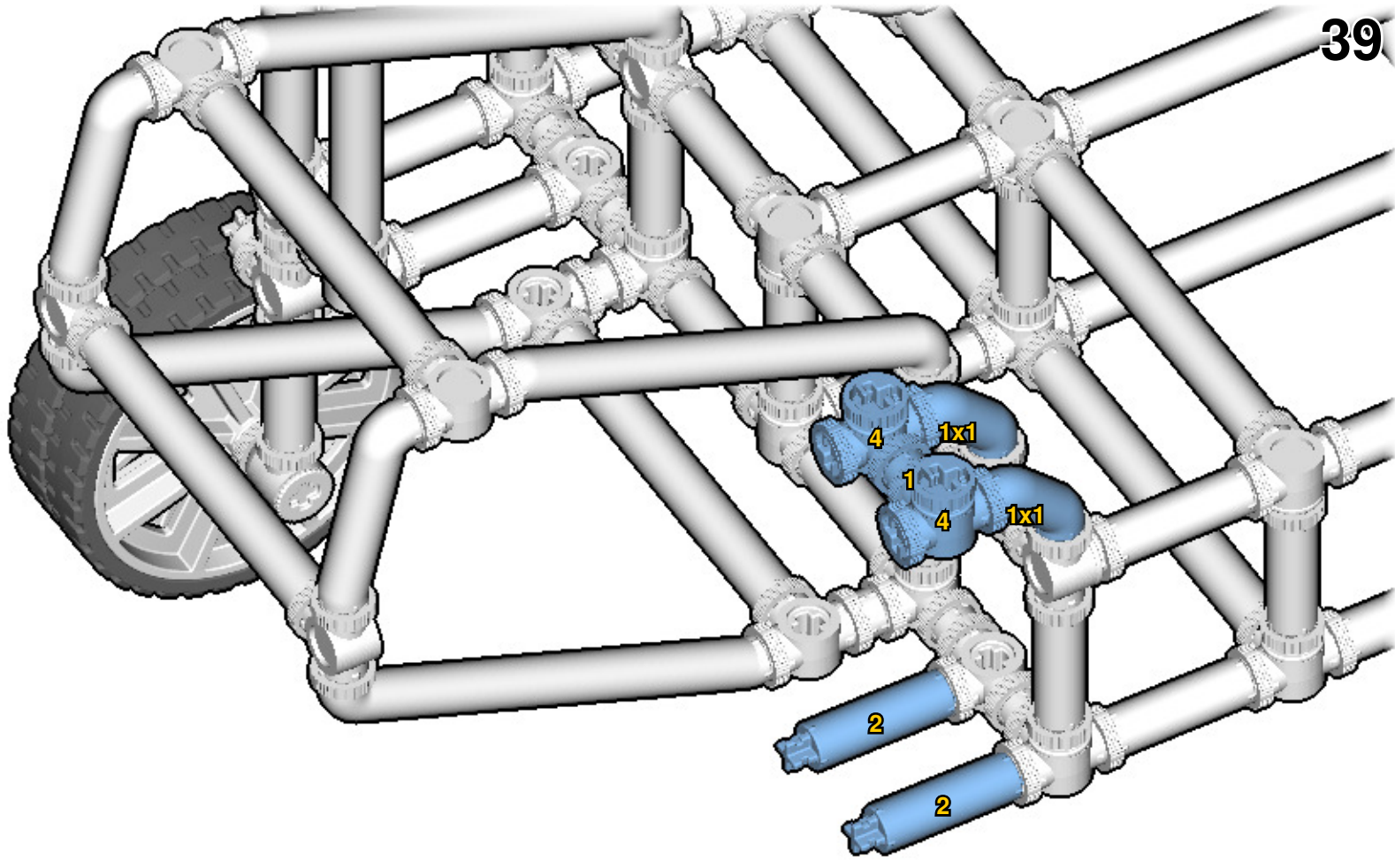




38



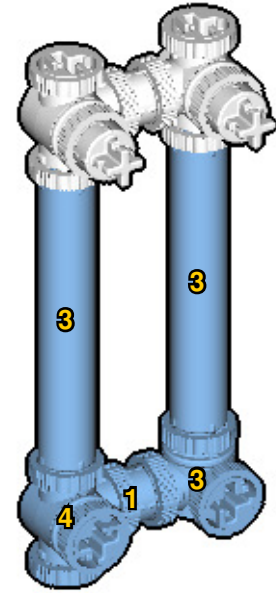
39



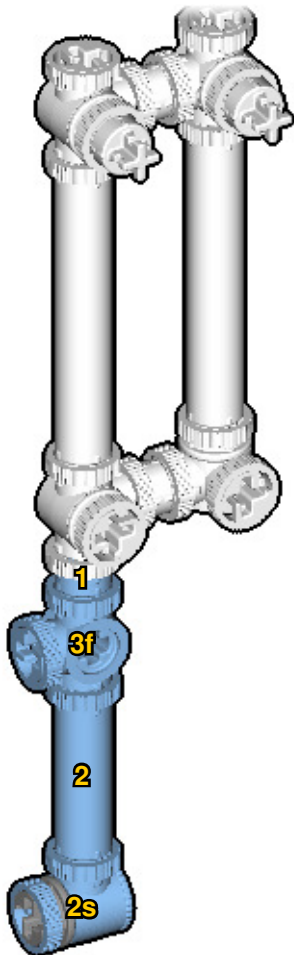
40



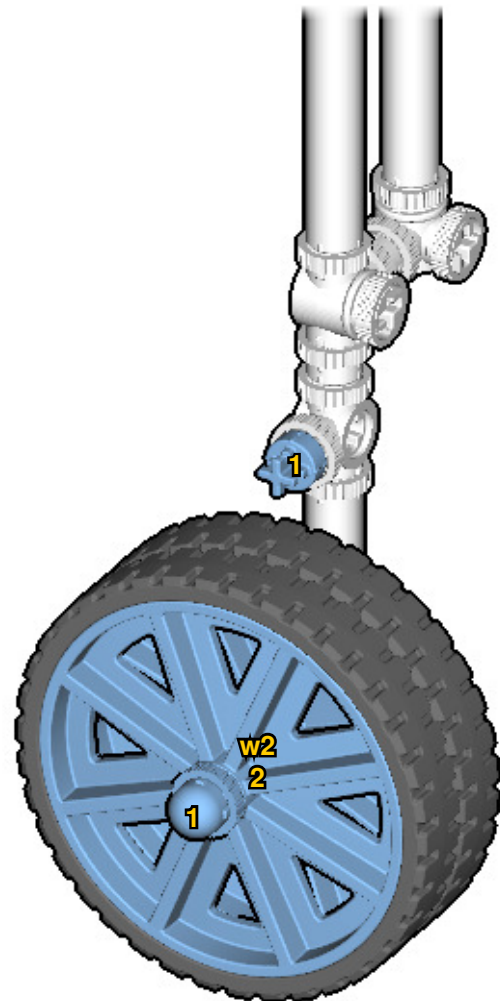
41

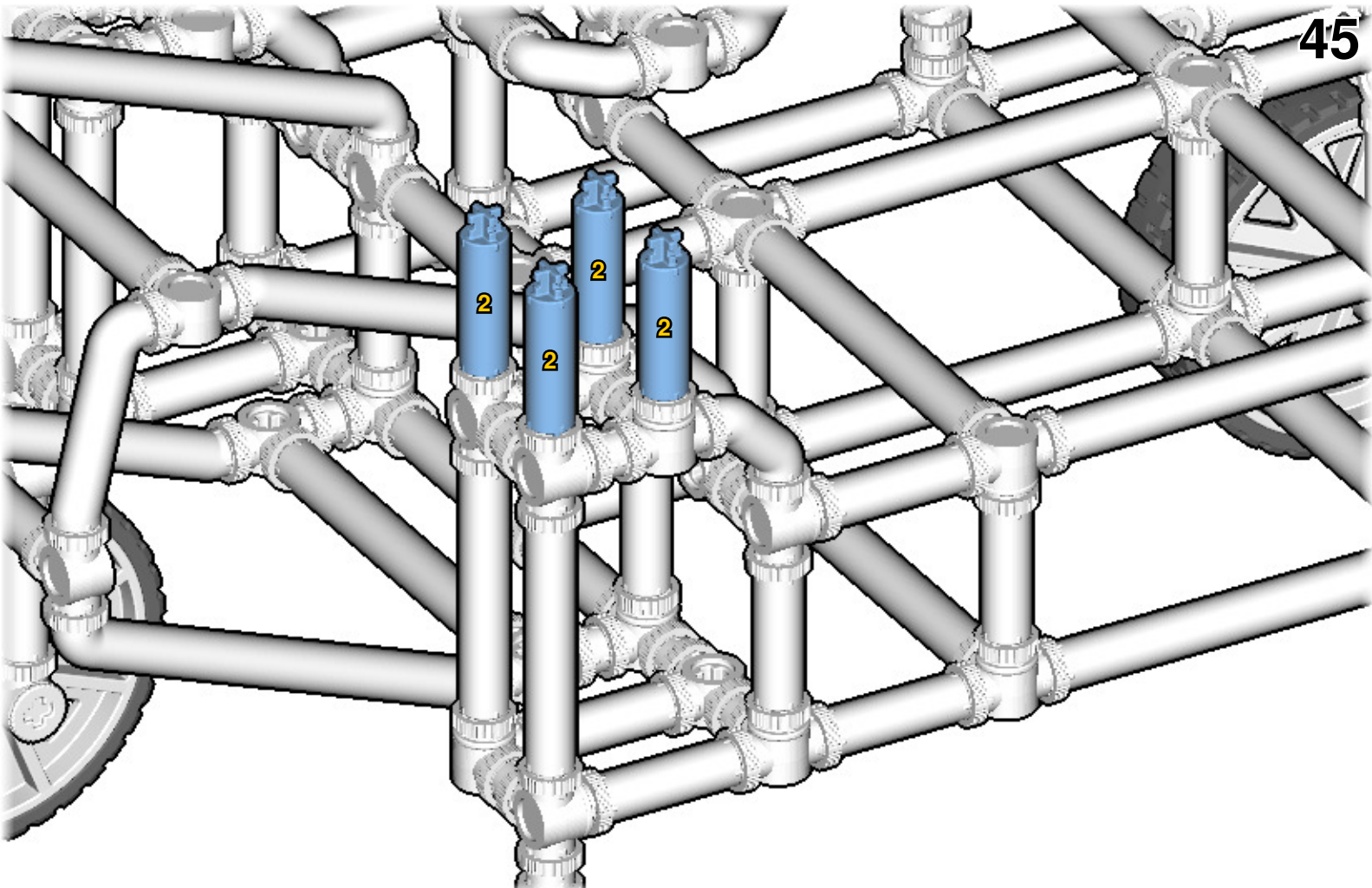
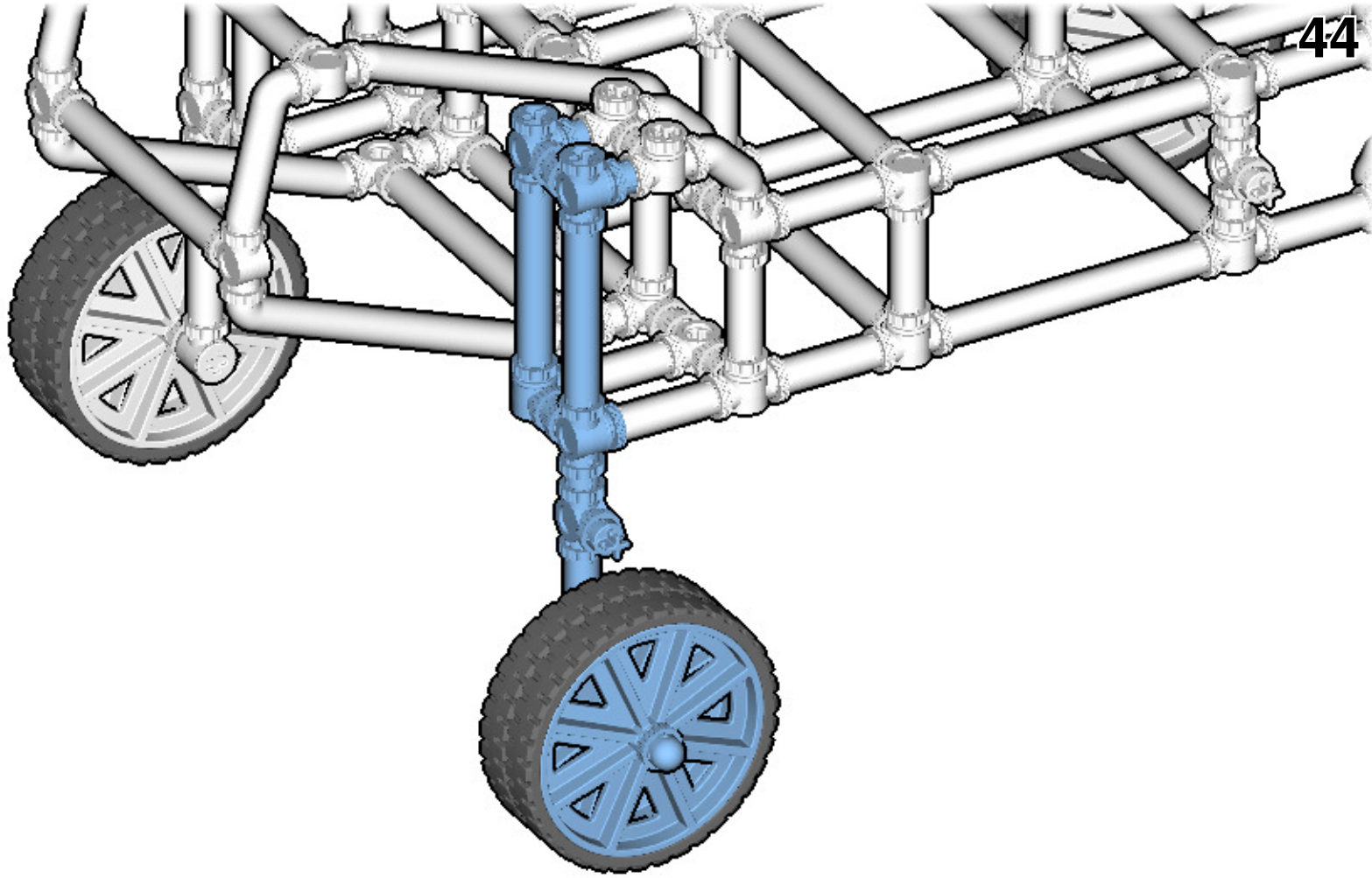


42

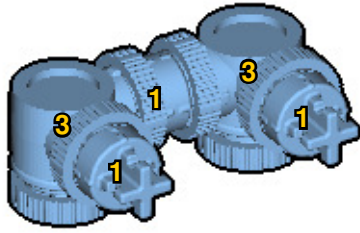


43

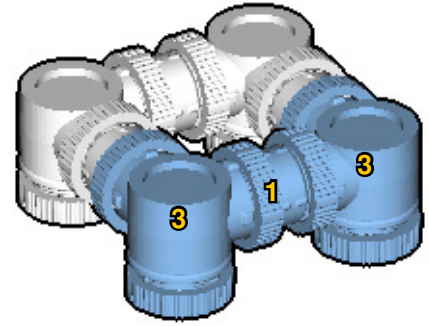




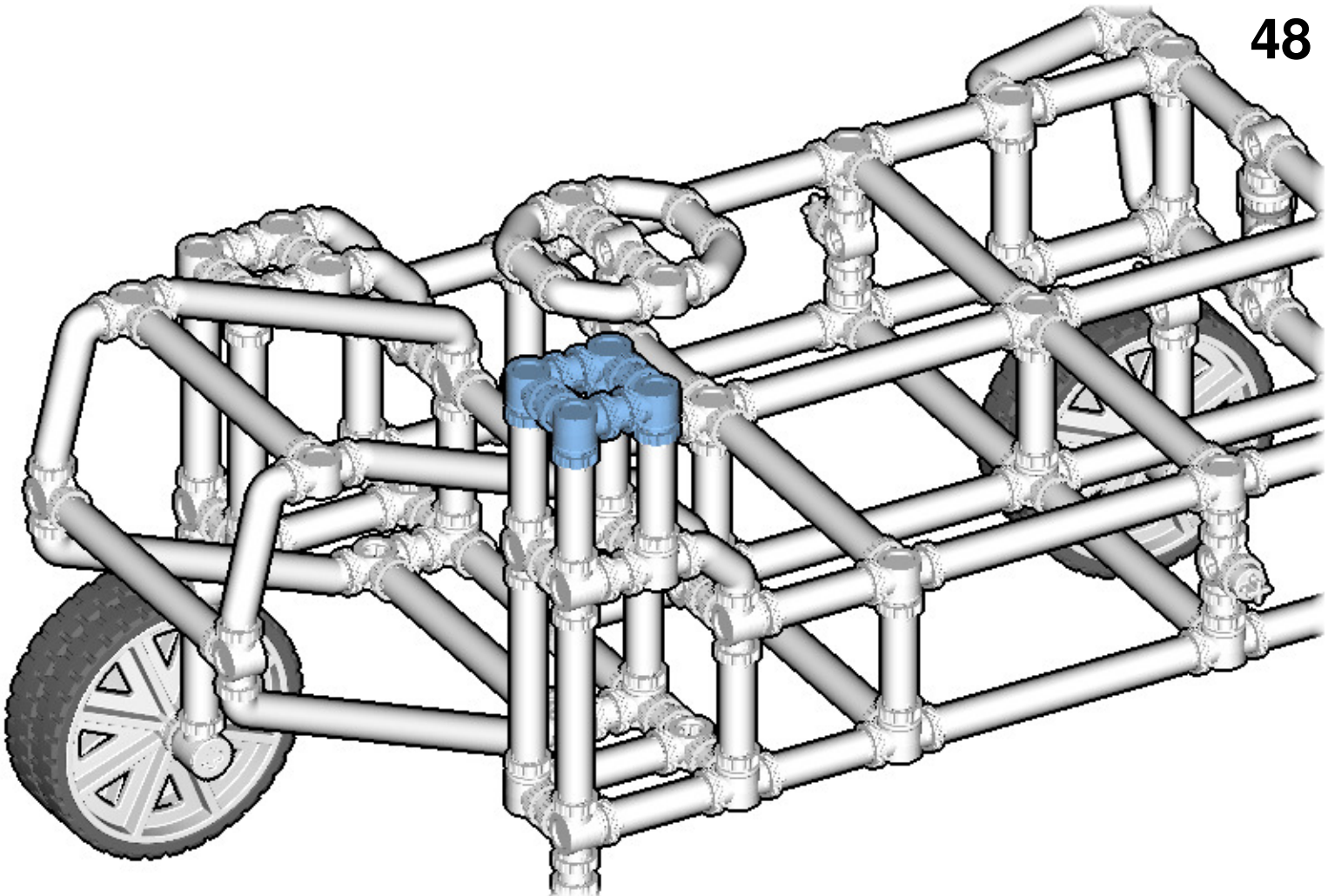
46

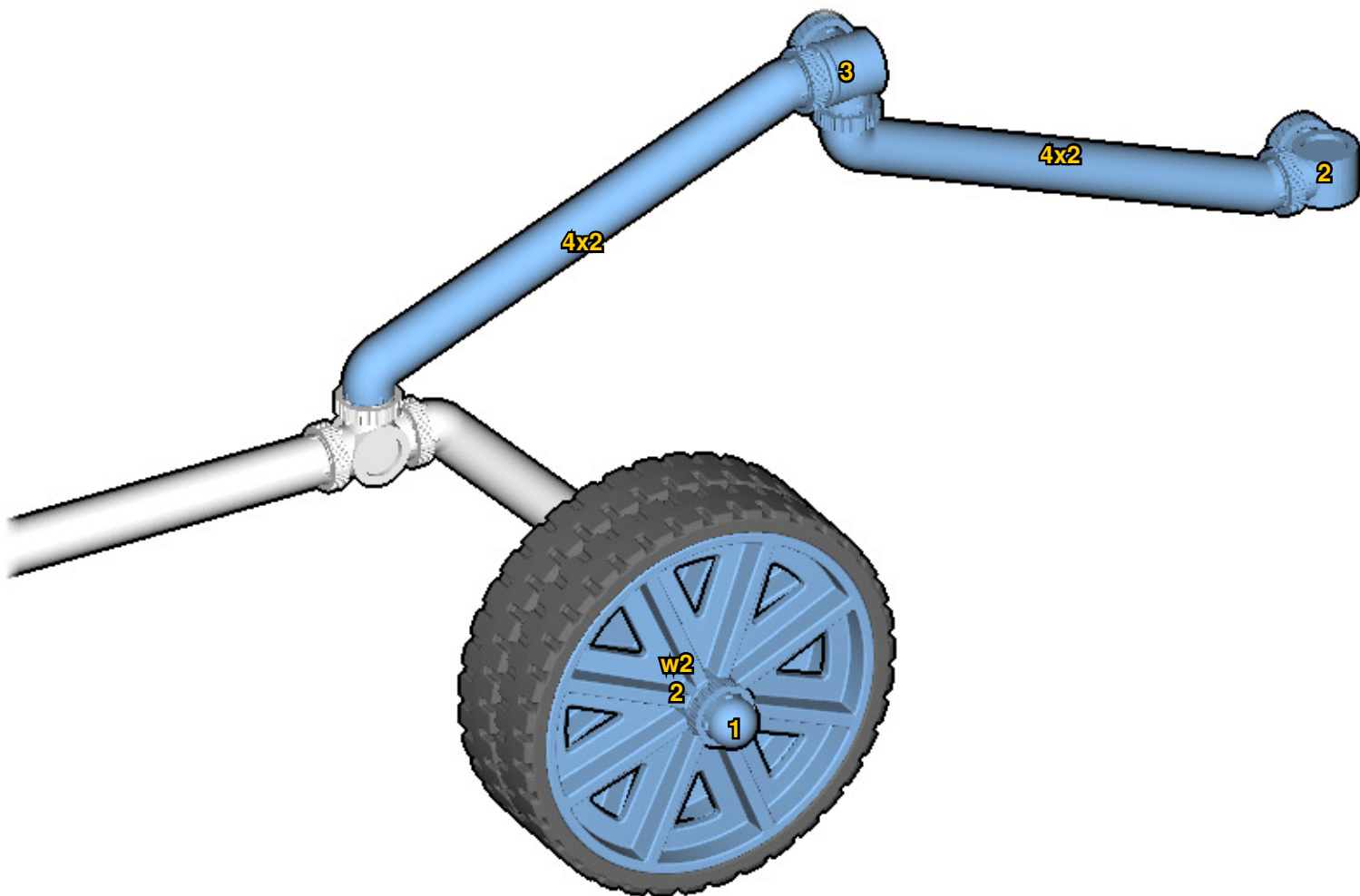
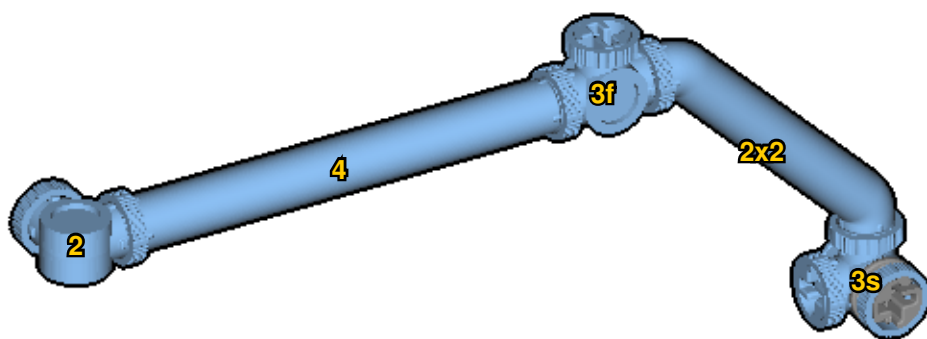


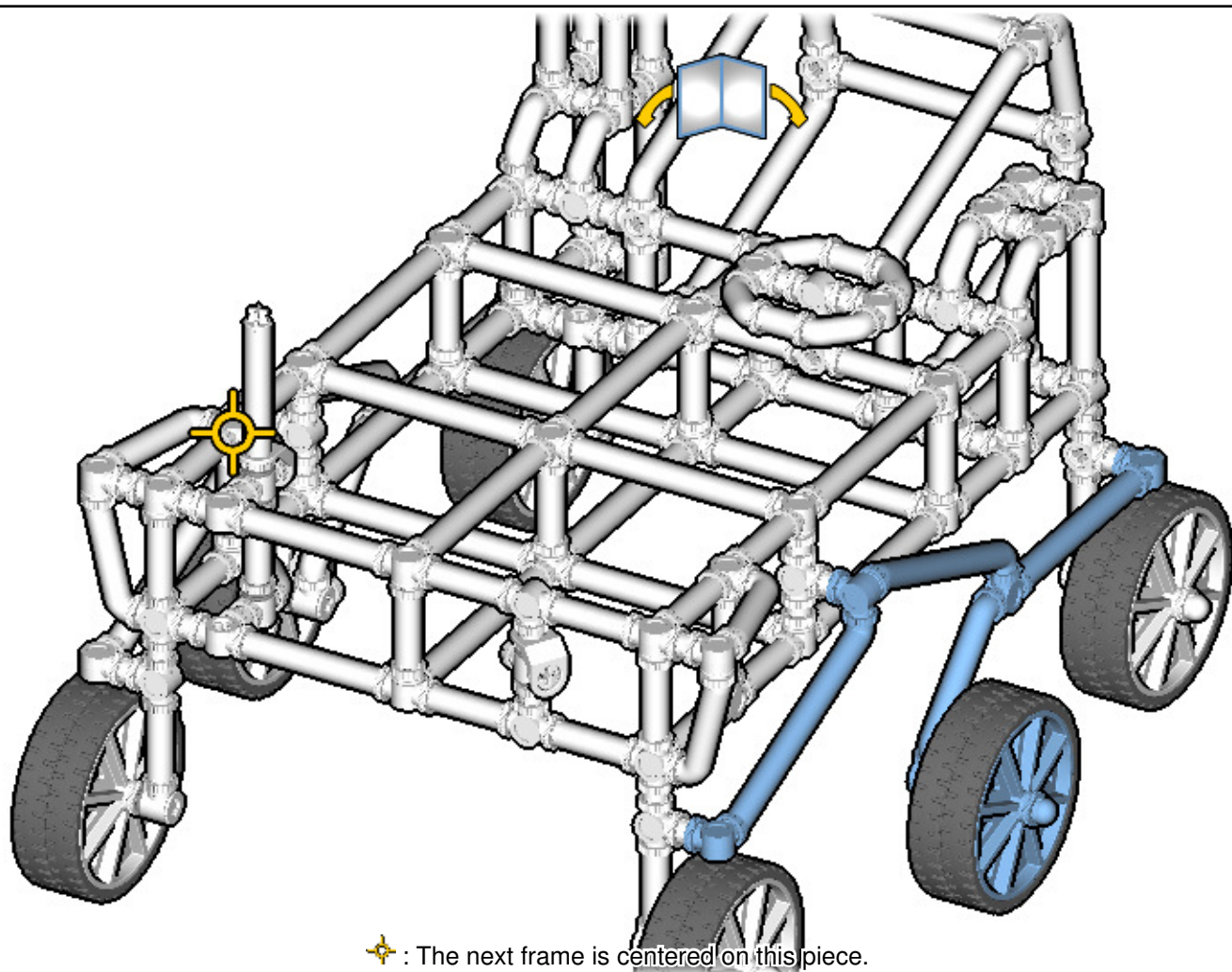
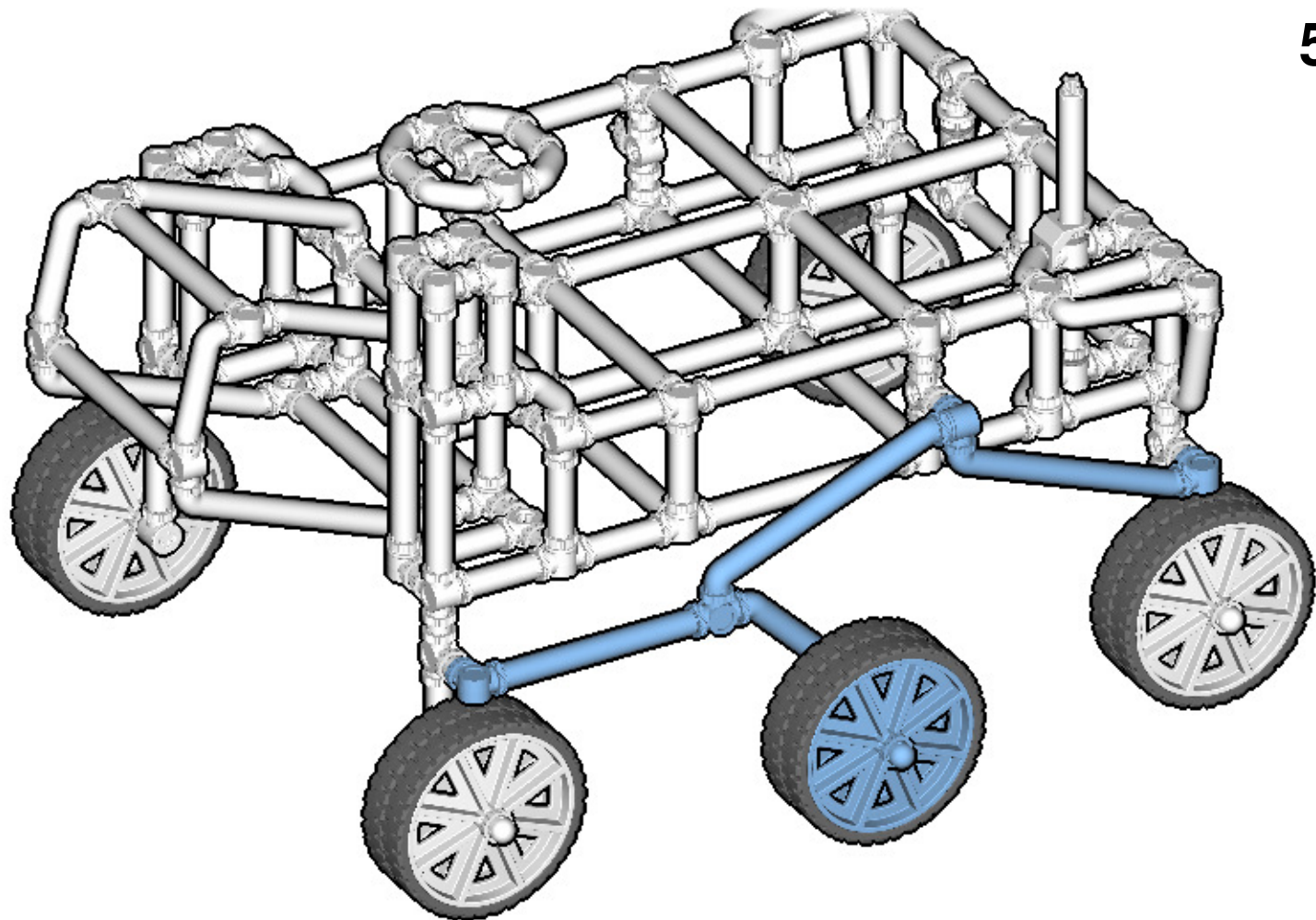
47



48

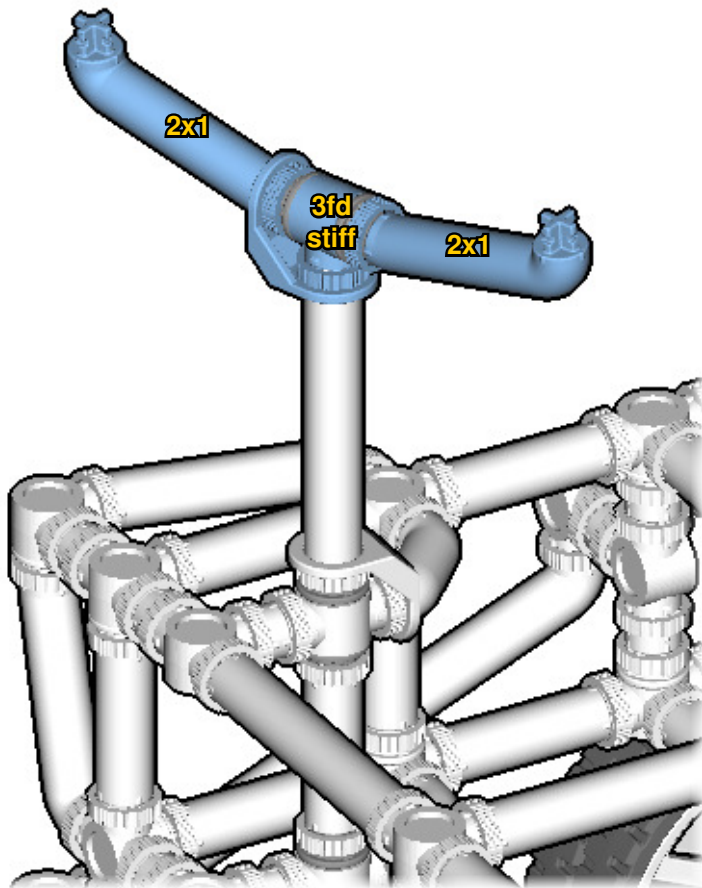




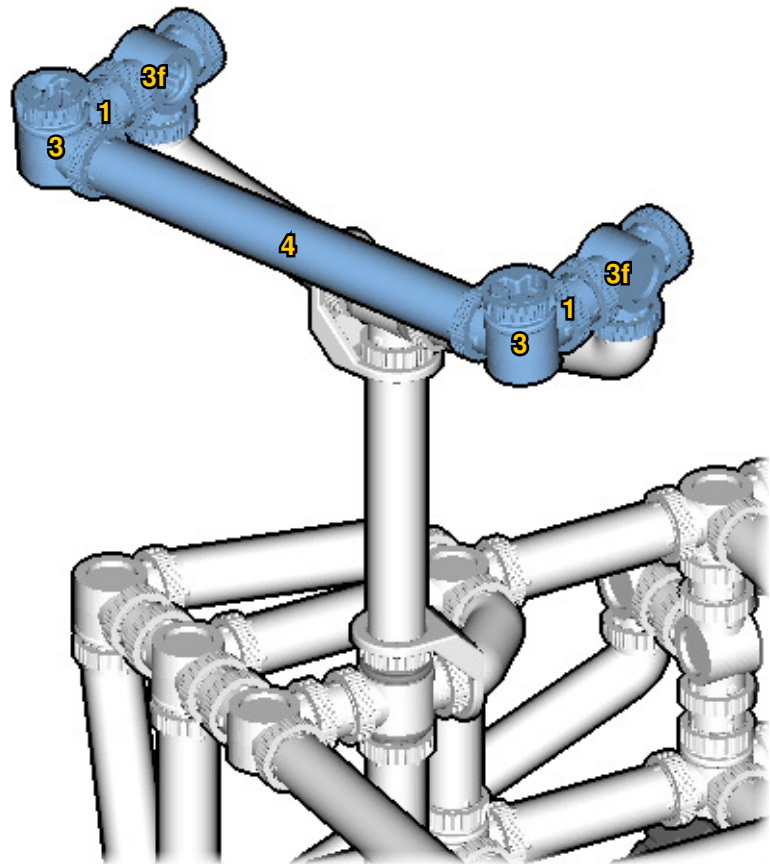


✦ : The next frame is centered on this piece.

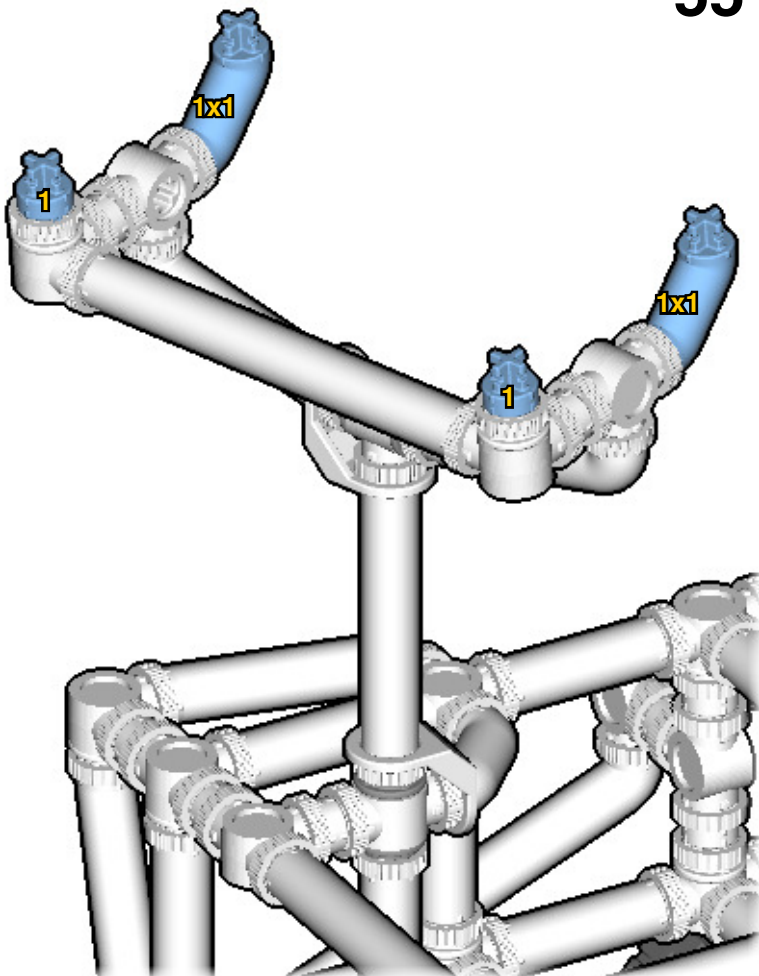
53



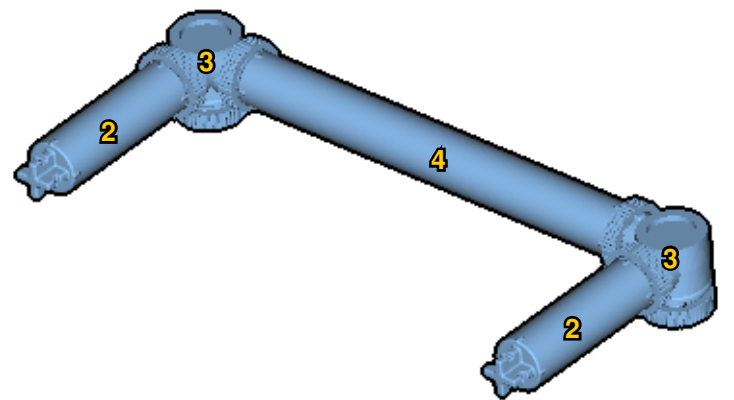
54



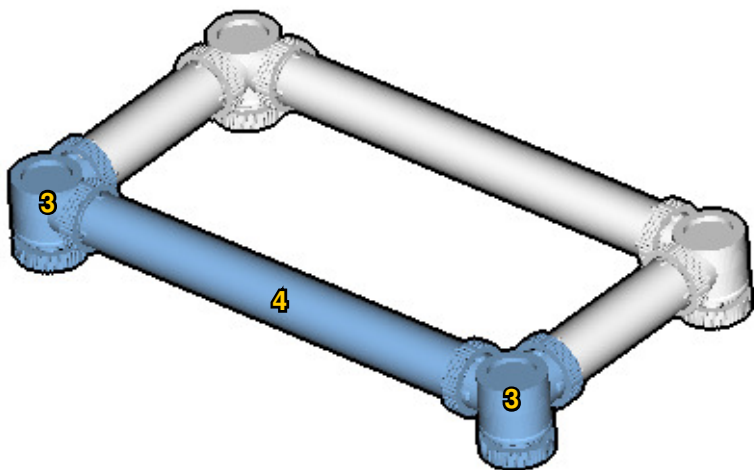
55



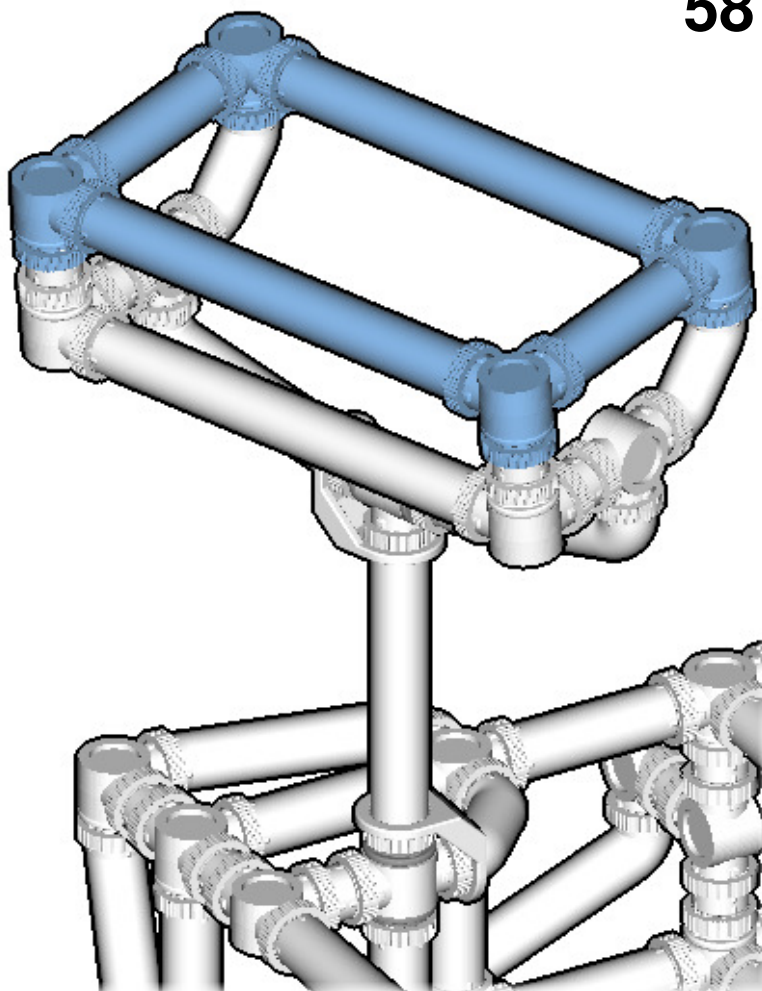
56



57



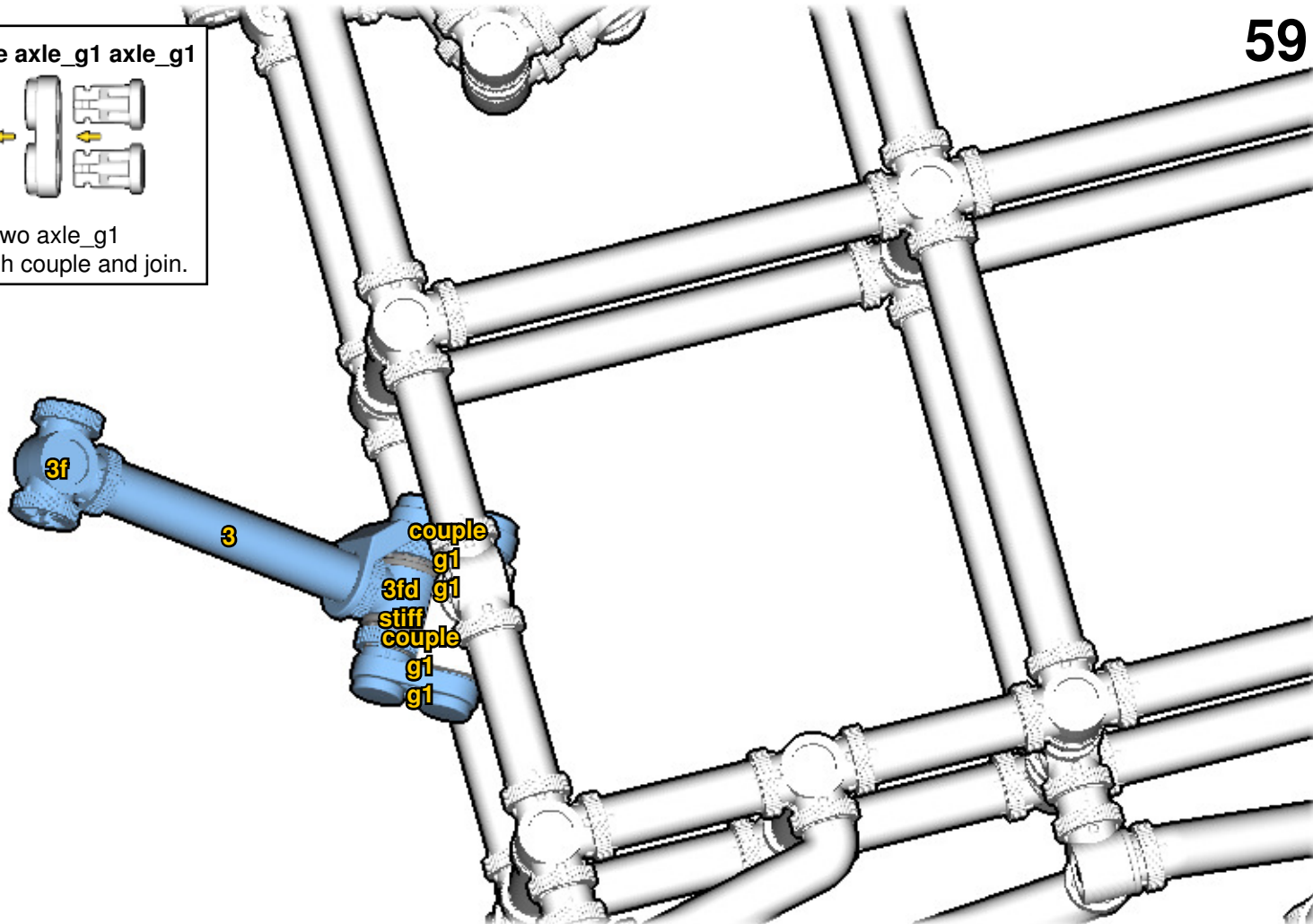
58

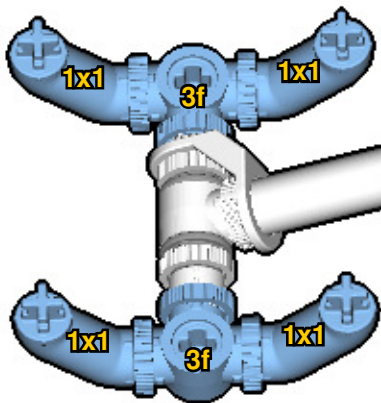
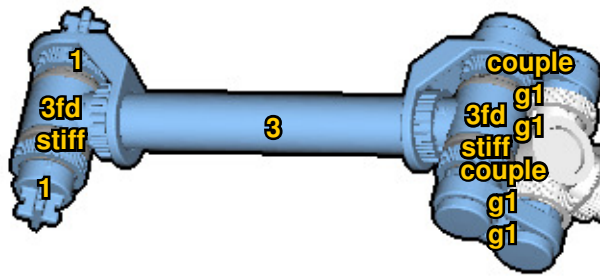


59

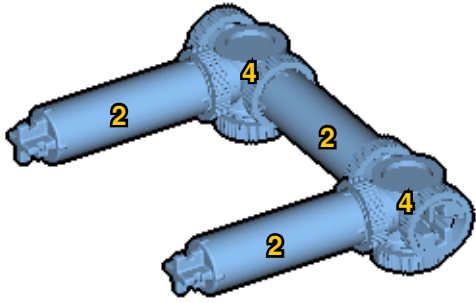
couple axle_g1 axle_g1

Slide two axle_g1 through couple and join.

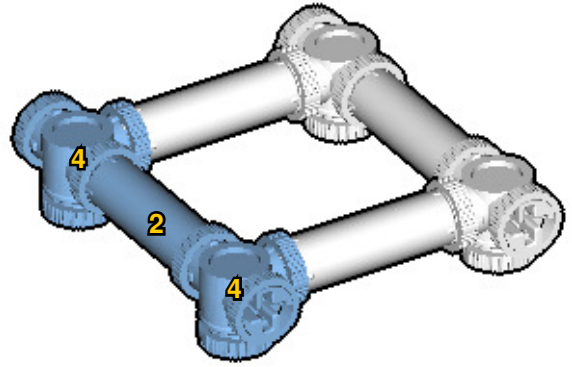




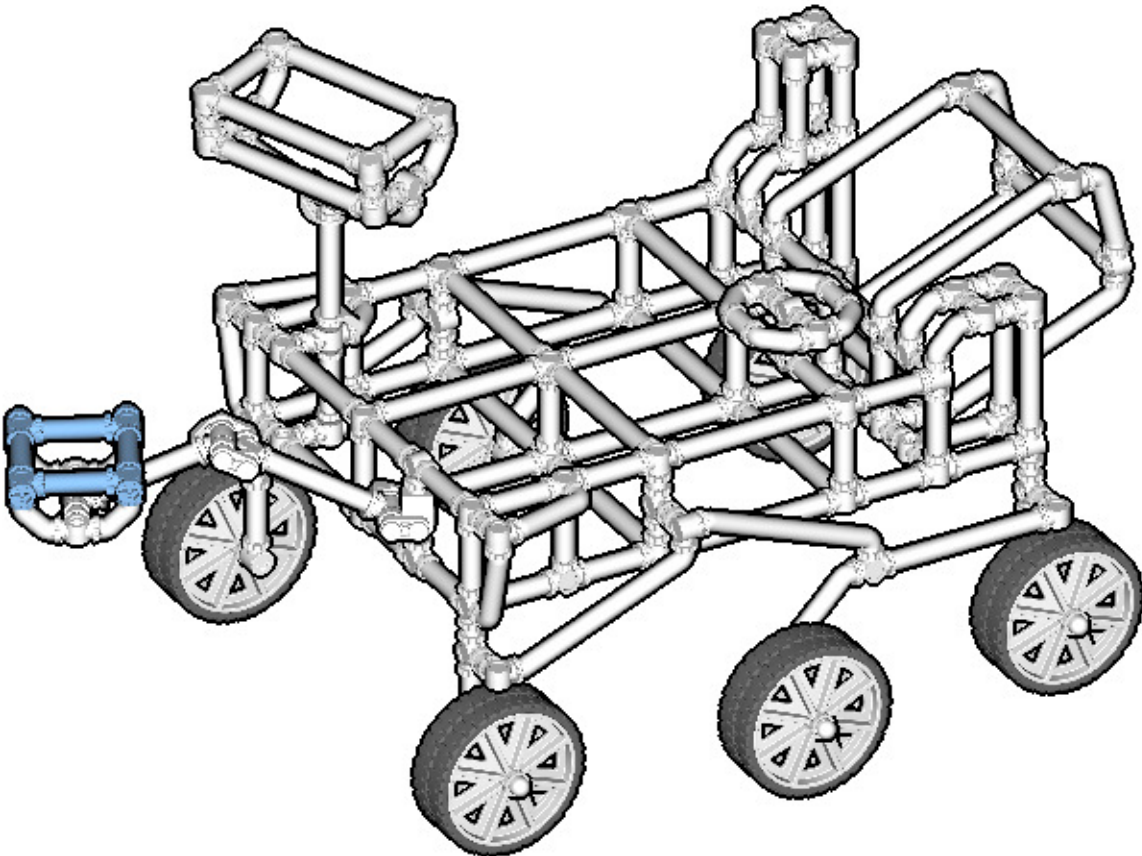
62

















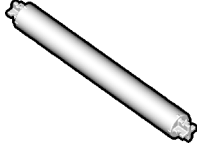
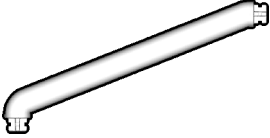










63



64



INVENTORY

| | | | | |
|---|---|--|--|---|
|  16x angle1x1 |  6x axle_w2 |  34x join3f |  4x rotate3fd |  57x straight2 |
|  8x angle2x1 |  4x couple |  32x join4 |  1x rotate3fs |  9x straight3 |
|  2x angle2x2 |  6x join1 |  2x join4f |  2x rotate3s |  23x straight4 |
|  8x angle4x2 |  4x join2 |  7x join5 |  2x rotate4fd |  6x stiff |
|  8x axle_g1 |  2x join2f |  18x join3 |  4x rotate2s |  55x straight1 |
| | | | |  12x wheel2 |

ACTUAL SIZE

