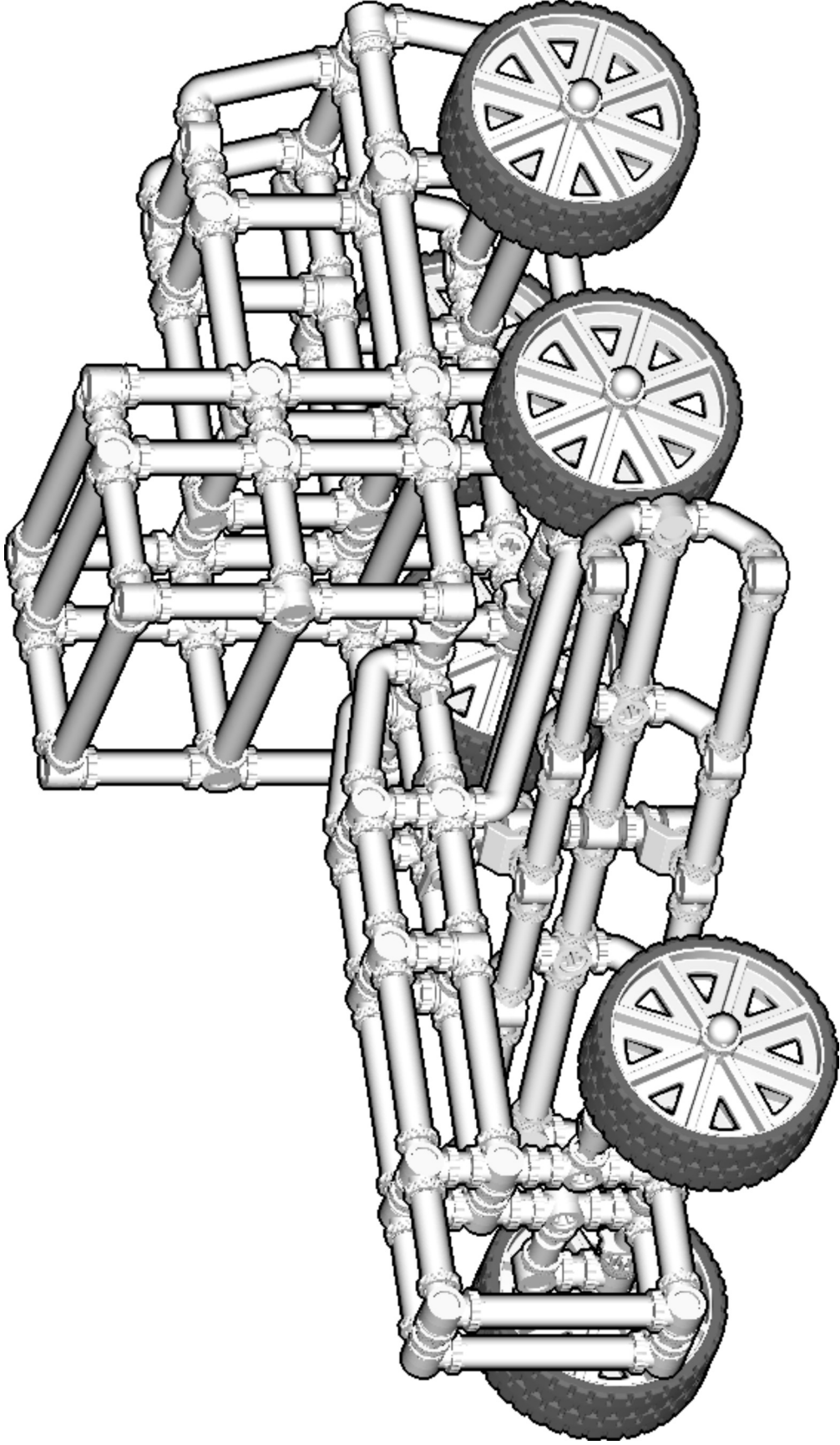


**CROSS  
BEAMS™**



SIZE

1.2ft x 0.7ft x 0.5ft

PIECES

271

DESIGNER

Charles Sharman

MADE IN

U.S.A.

# ROAD GRADER

⚠ WARNING: Small parts. Age 14+. Not a toy. Handle responsibly. U.S. Patent 9,086,087.

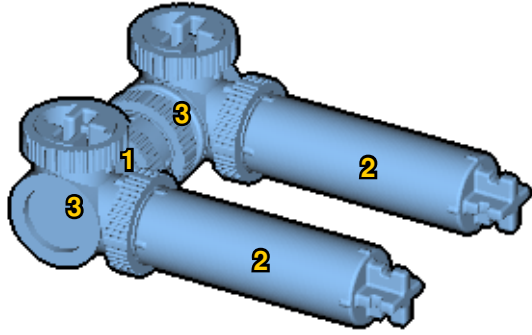


Wrong  
Connecting/Disconnecting Two Directions



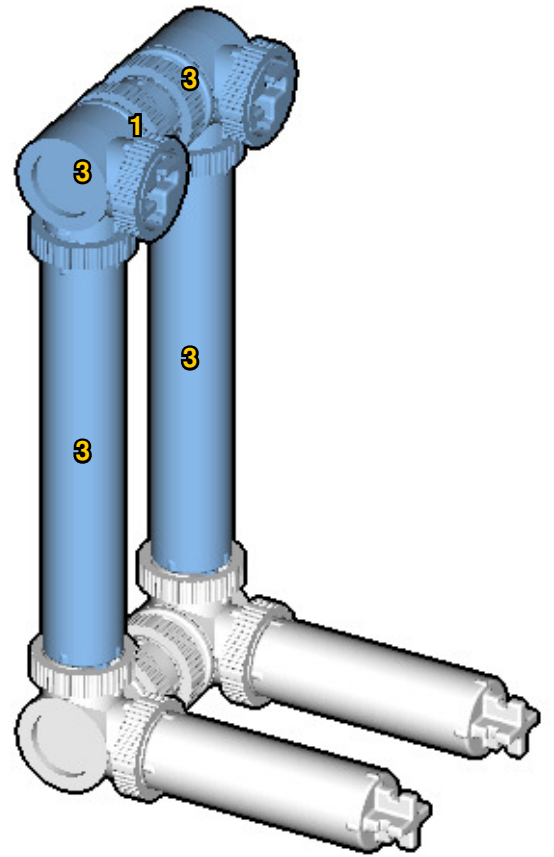
Right  
Connecting/Disconnecting One Direction

1



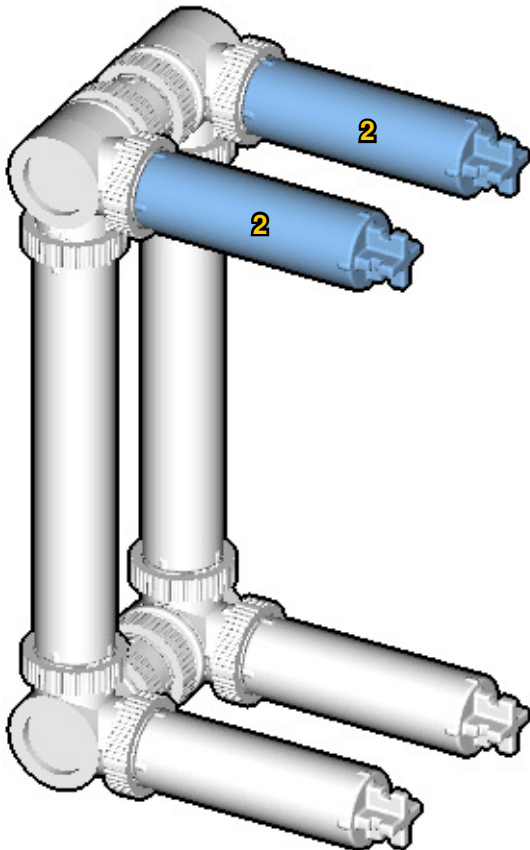
New pieces are drawn blue. Old pieces are drawn white.  
See back for piece names.

2

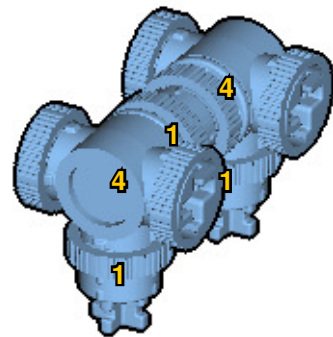


Connect new pieces together before connecting to old pieces.

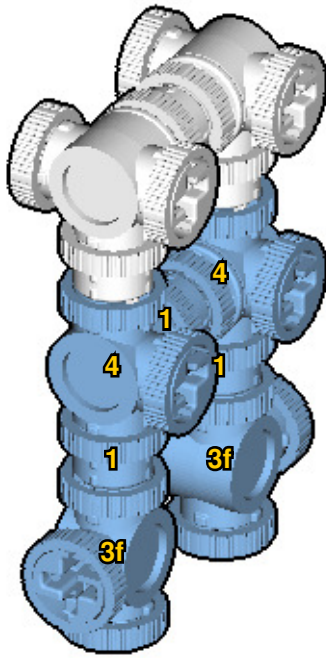
3



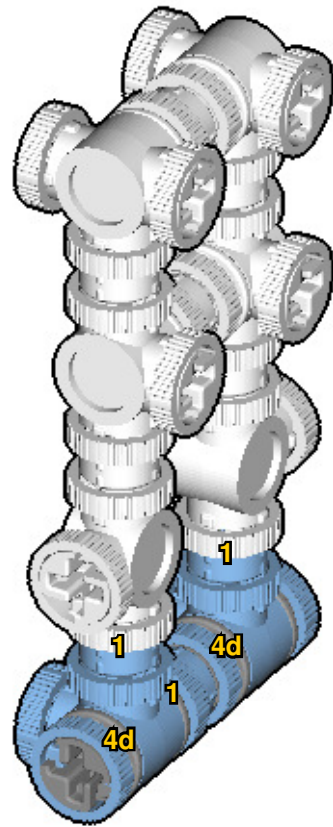
Submodel begins → **4**



5

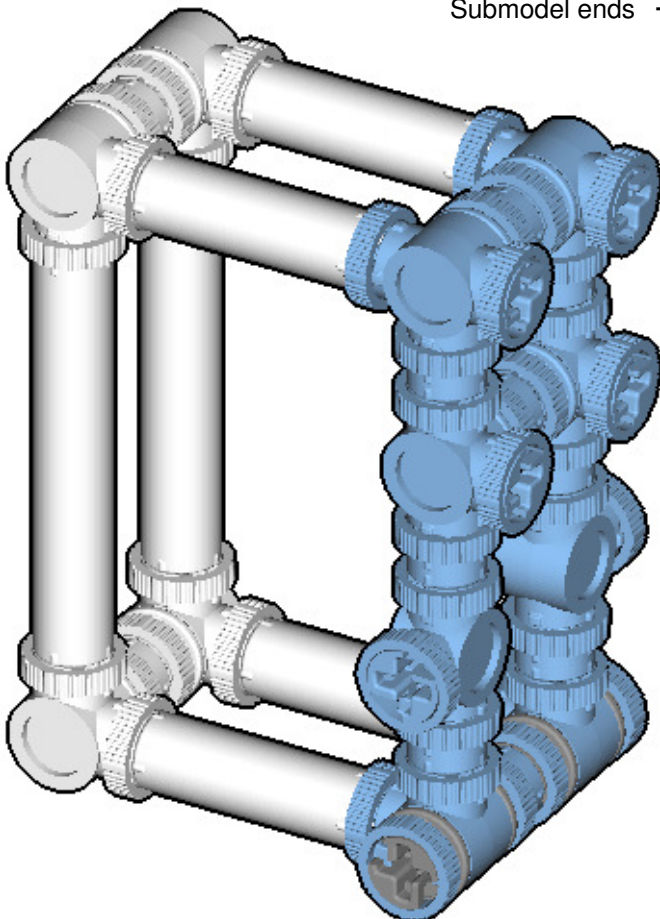


6



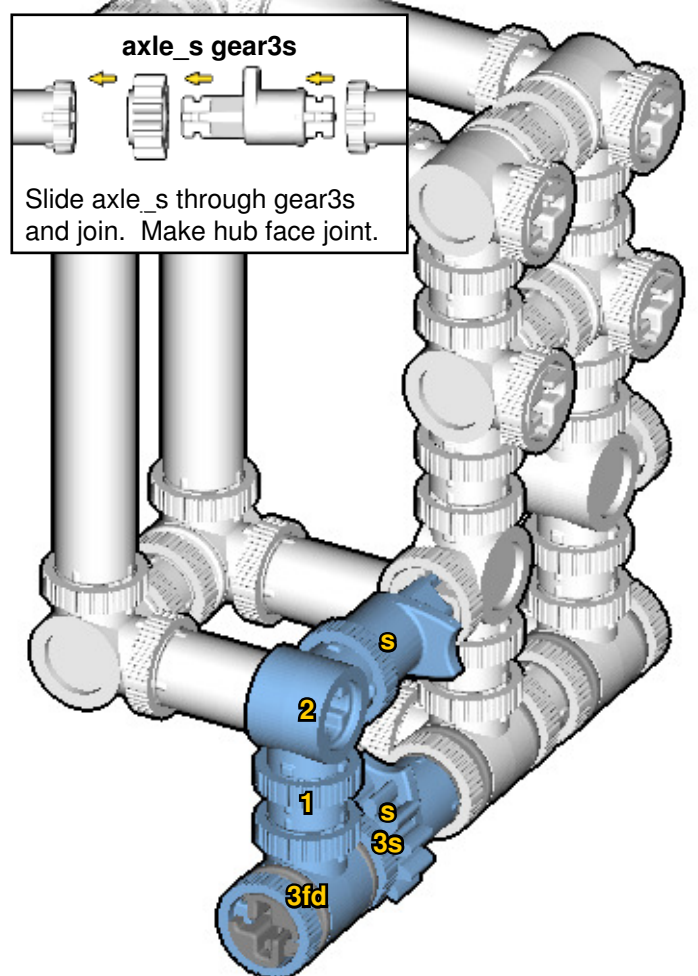
7

Submodel ends →



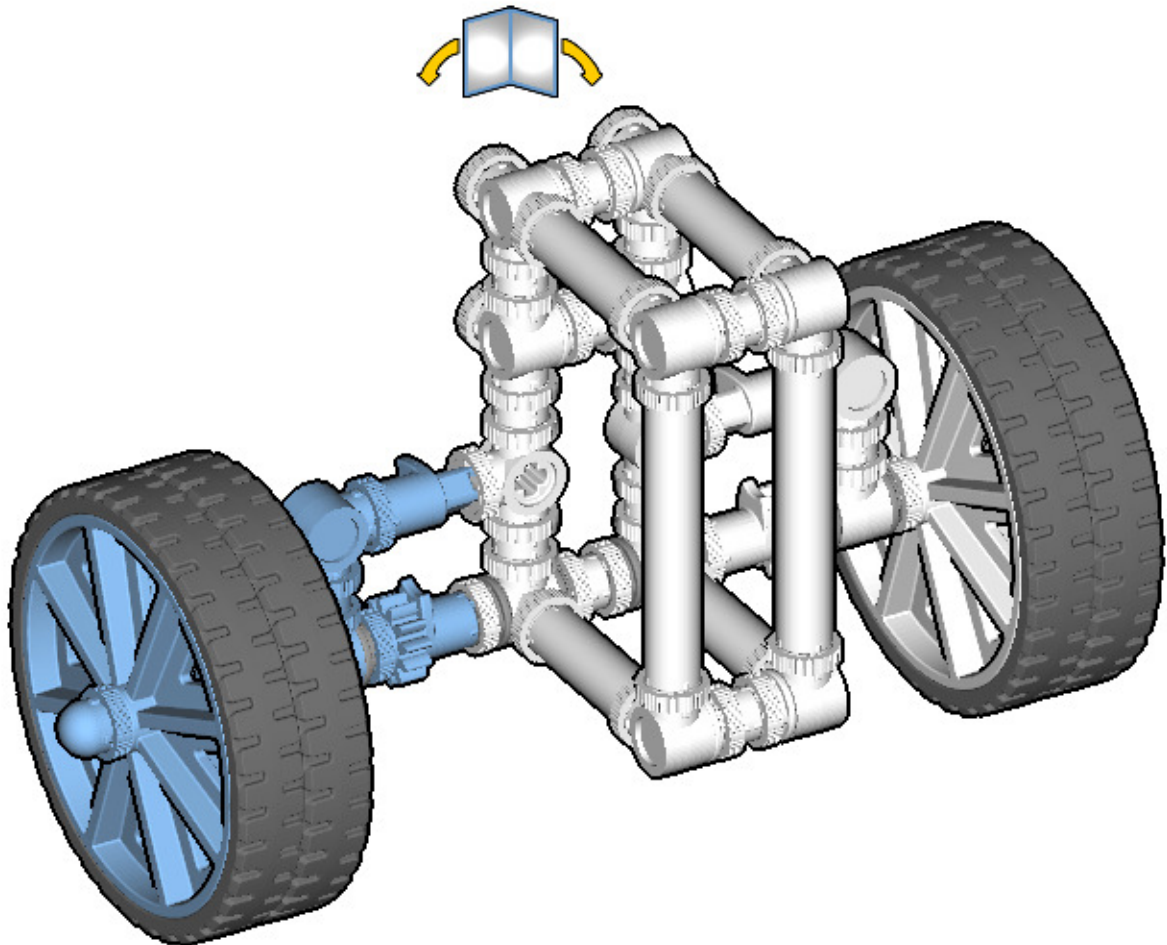
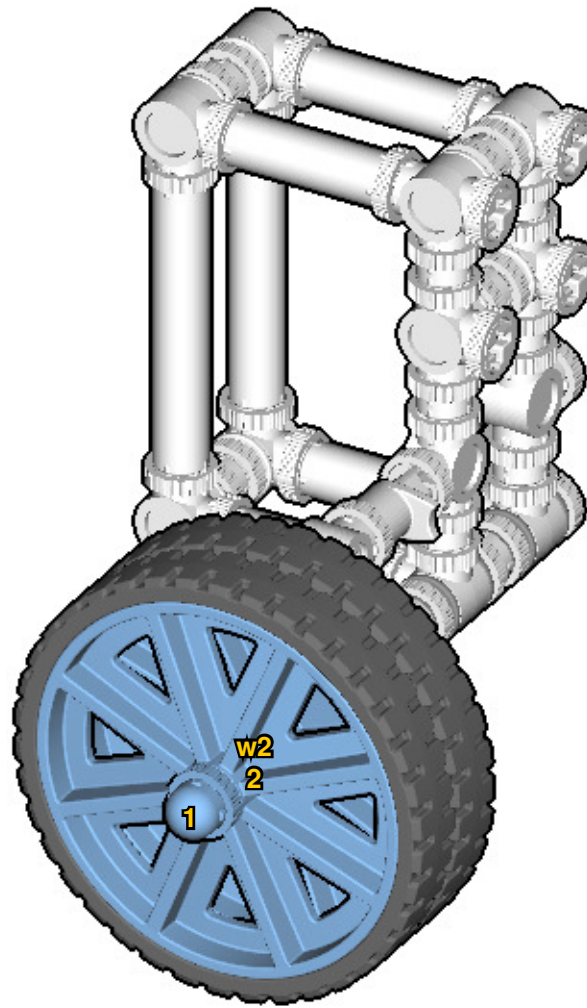
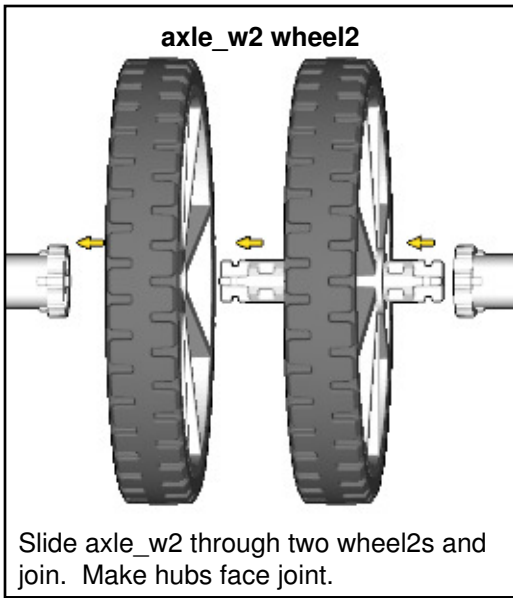
Connect submodel to model.

8



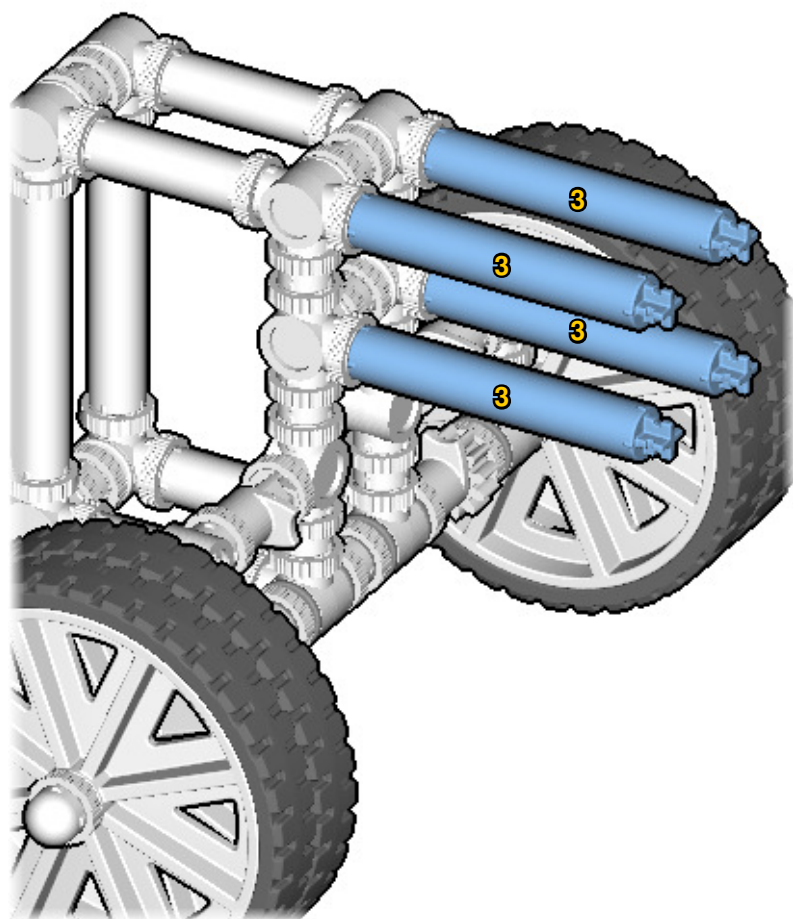
axle\_s gear3s

Slide axle\_s through gear3s and join. Make hub face joint.



 : Copy new pieces from old pieces.

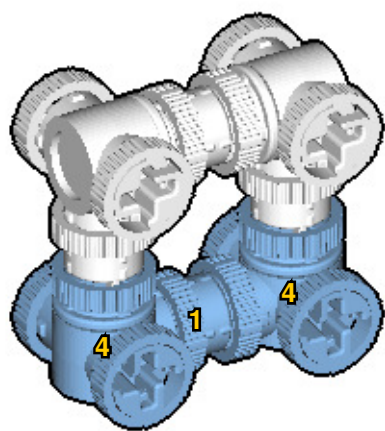
11



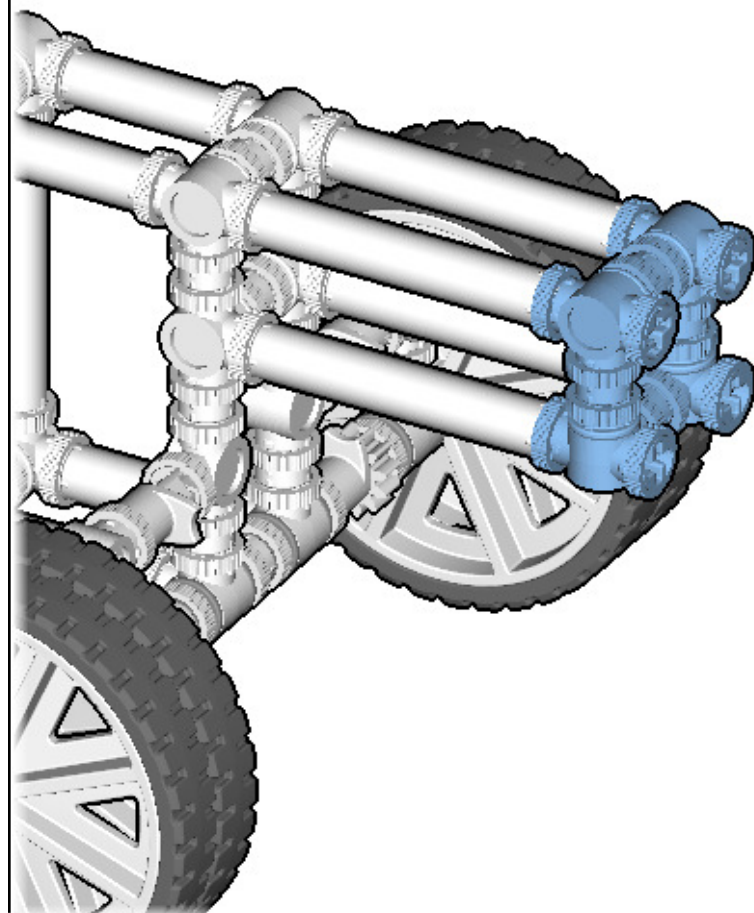
12



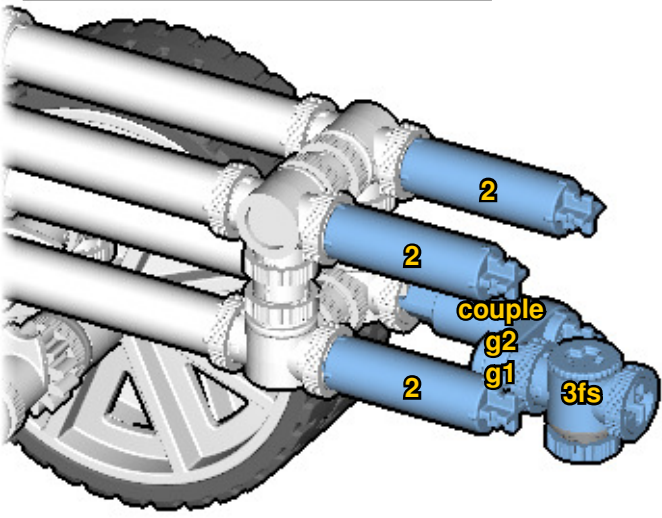
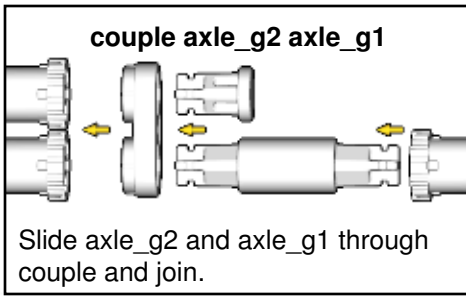
13



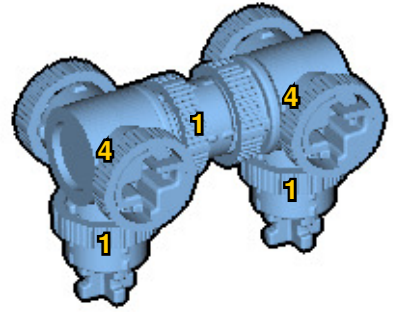
14



15



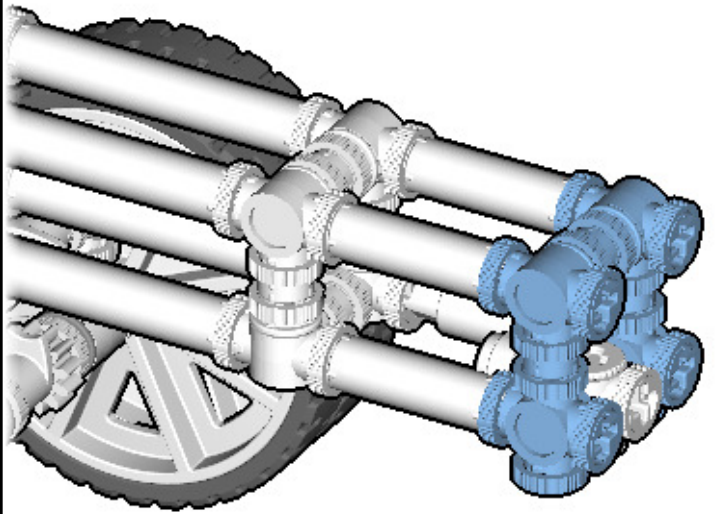
16



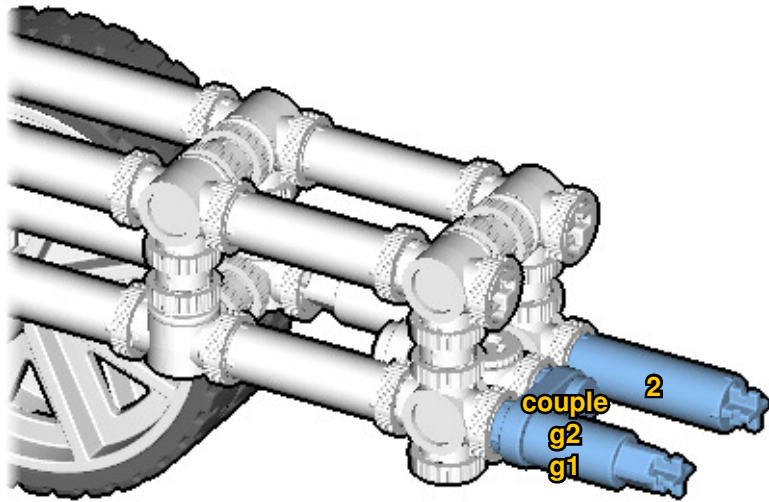
17



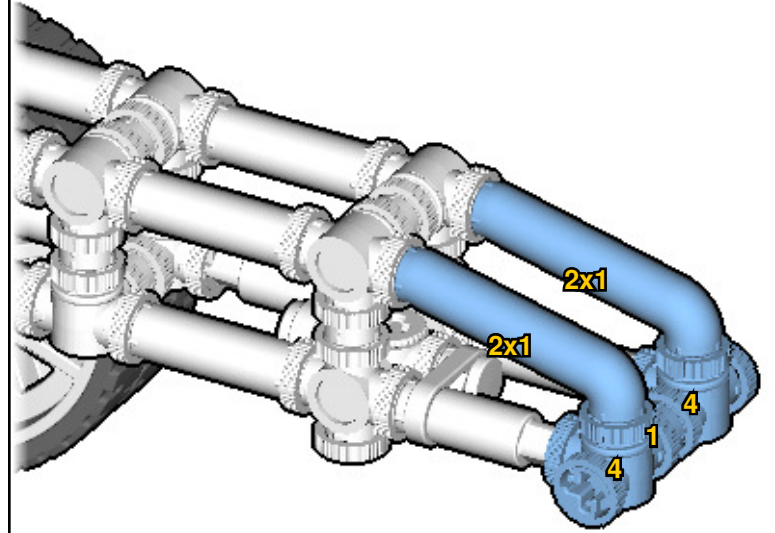
18



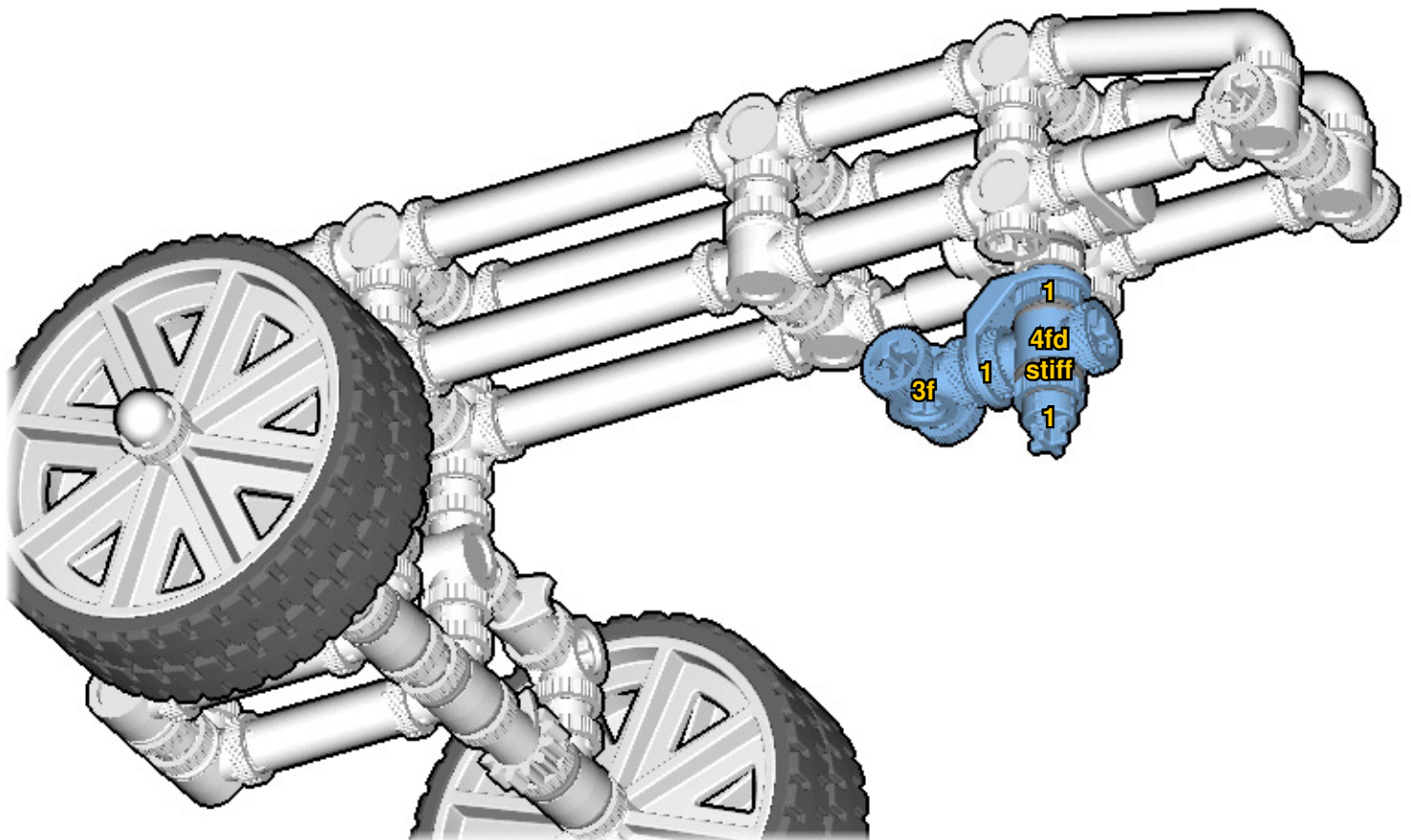
19



20

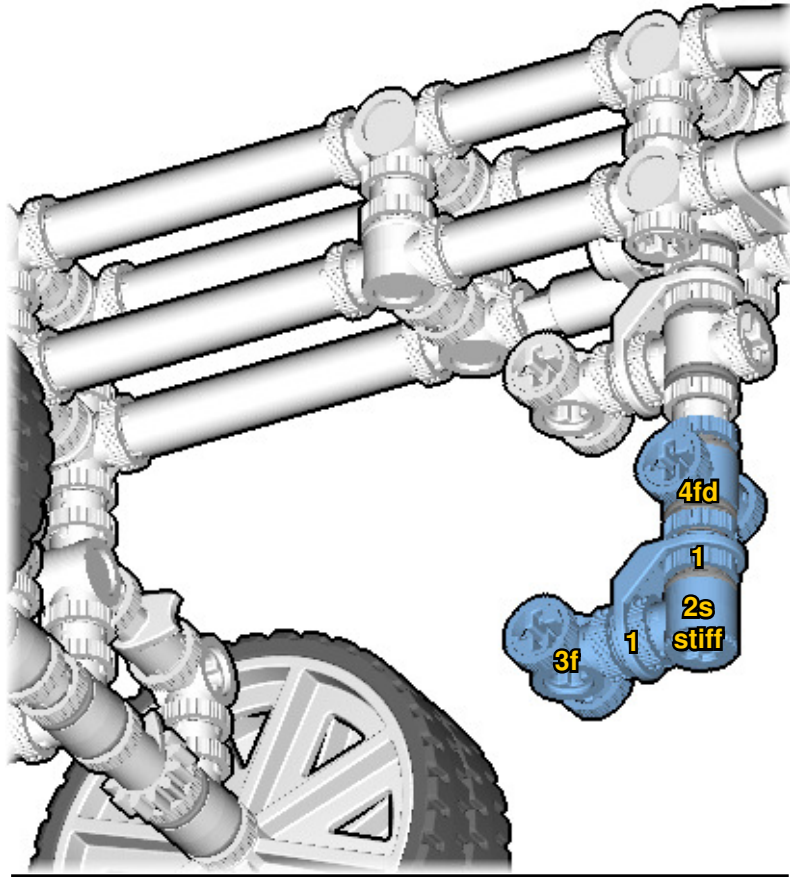


21

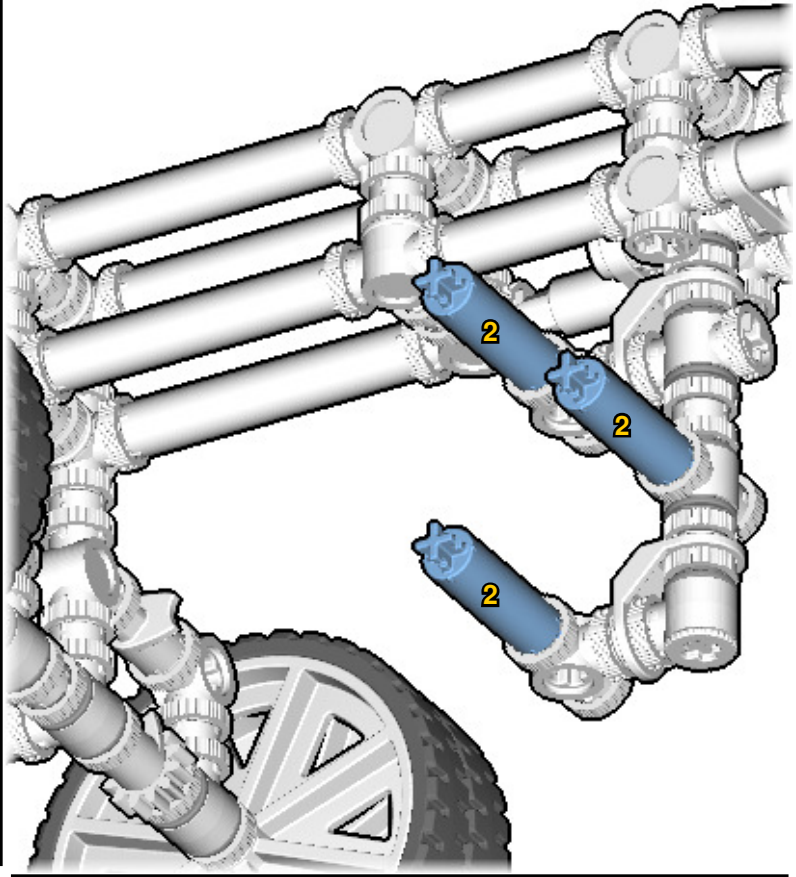




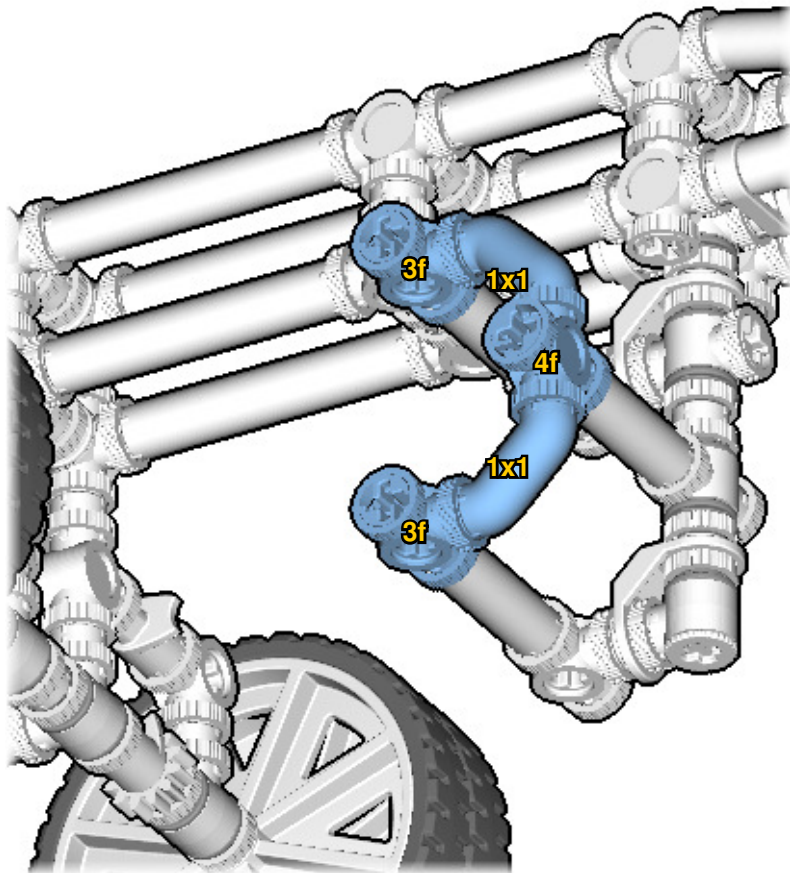
22



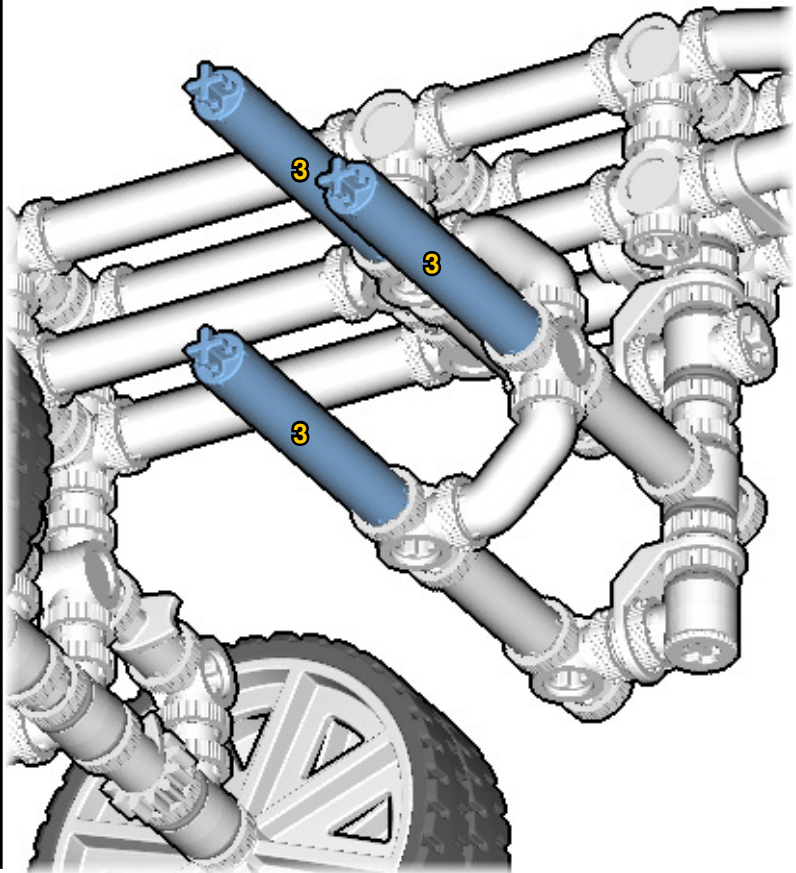
23



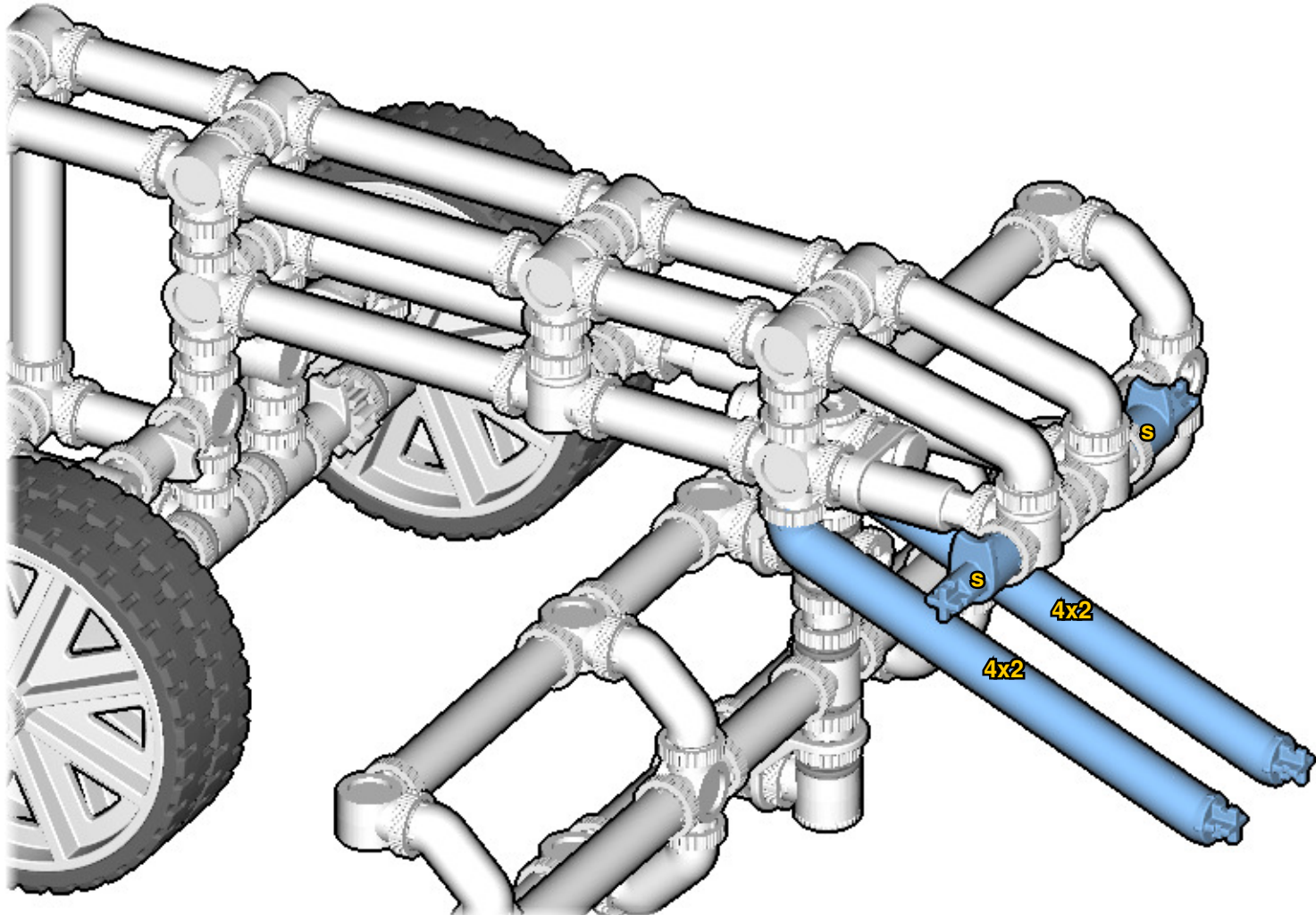
24



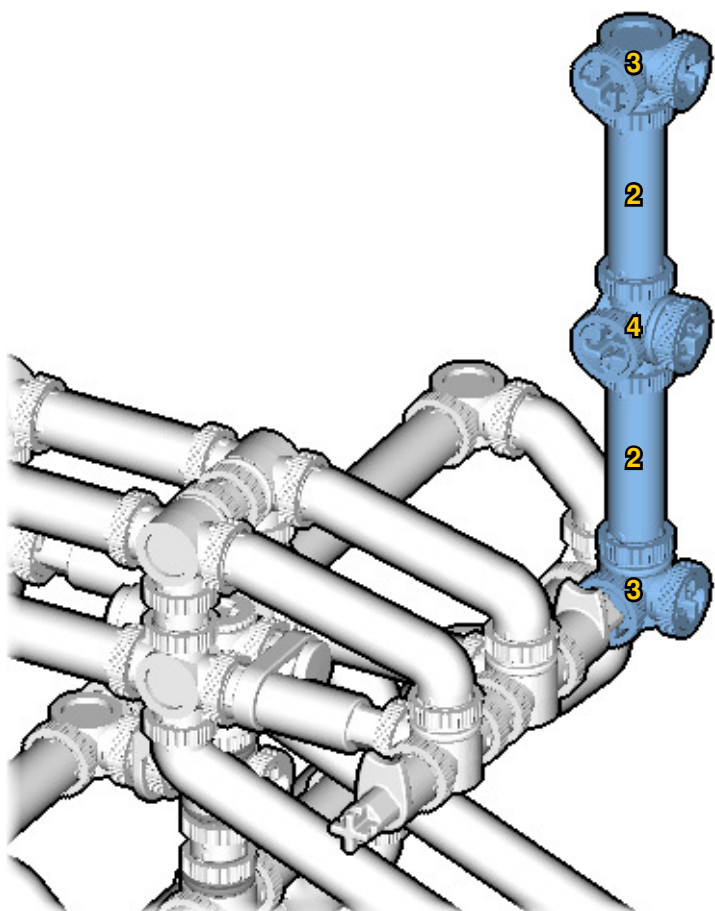
25



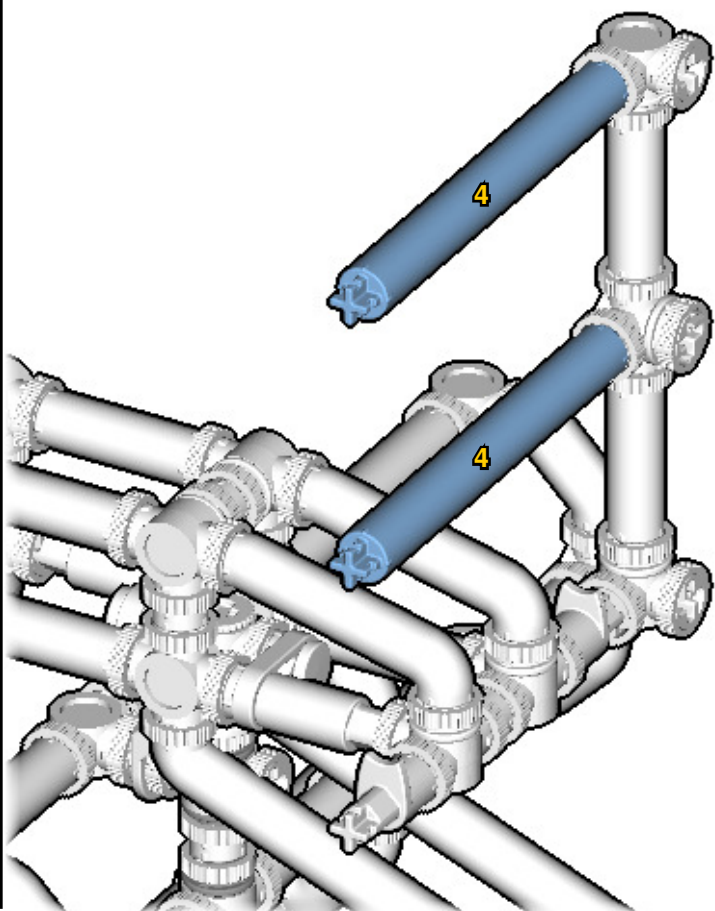




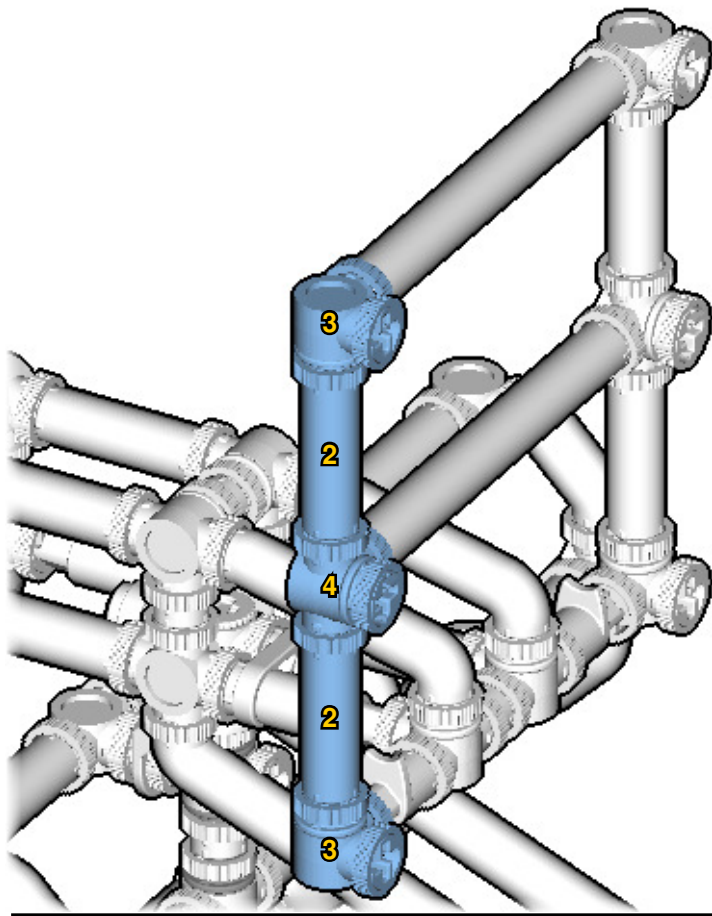
29



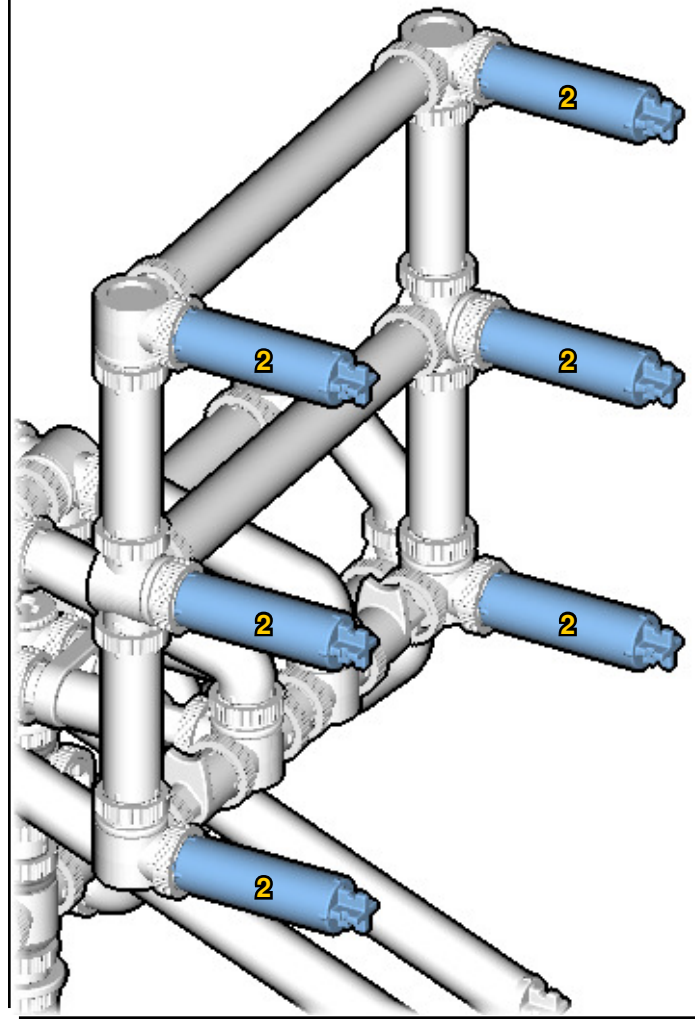
30



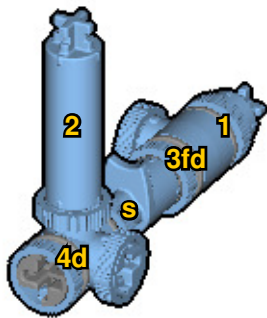
31



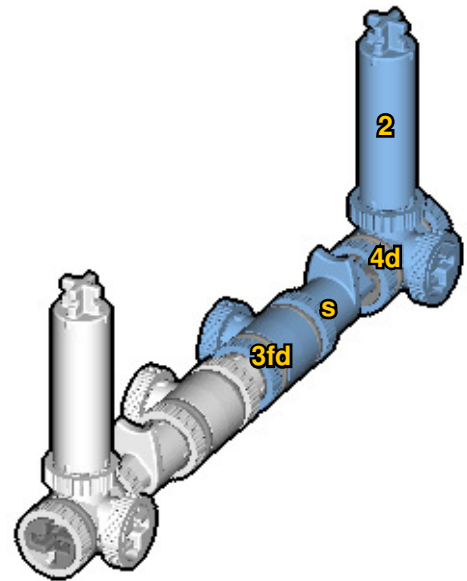
32



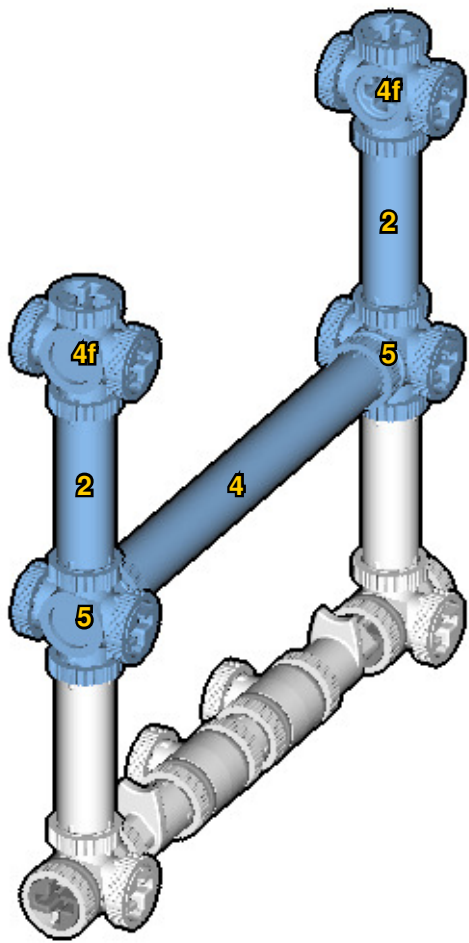
33



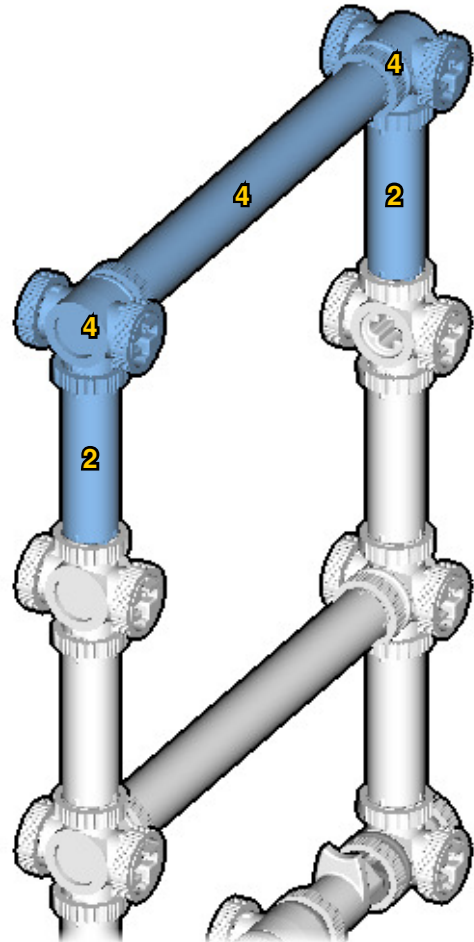
34



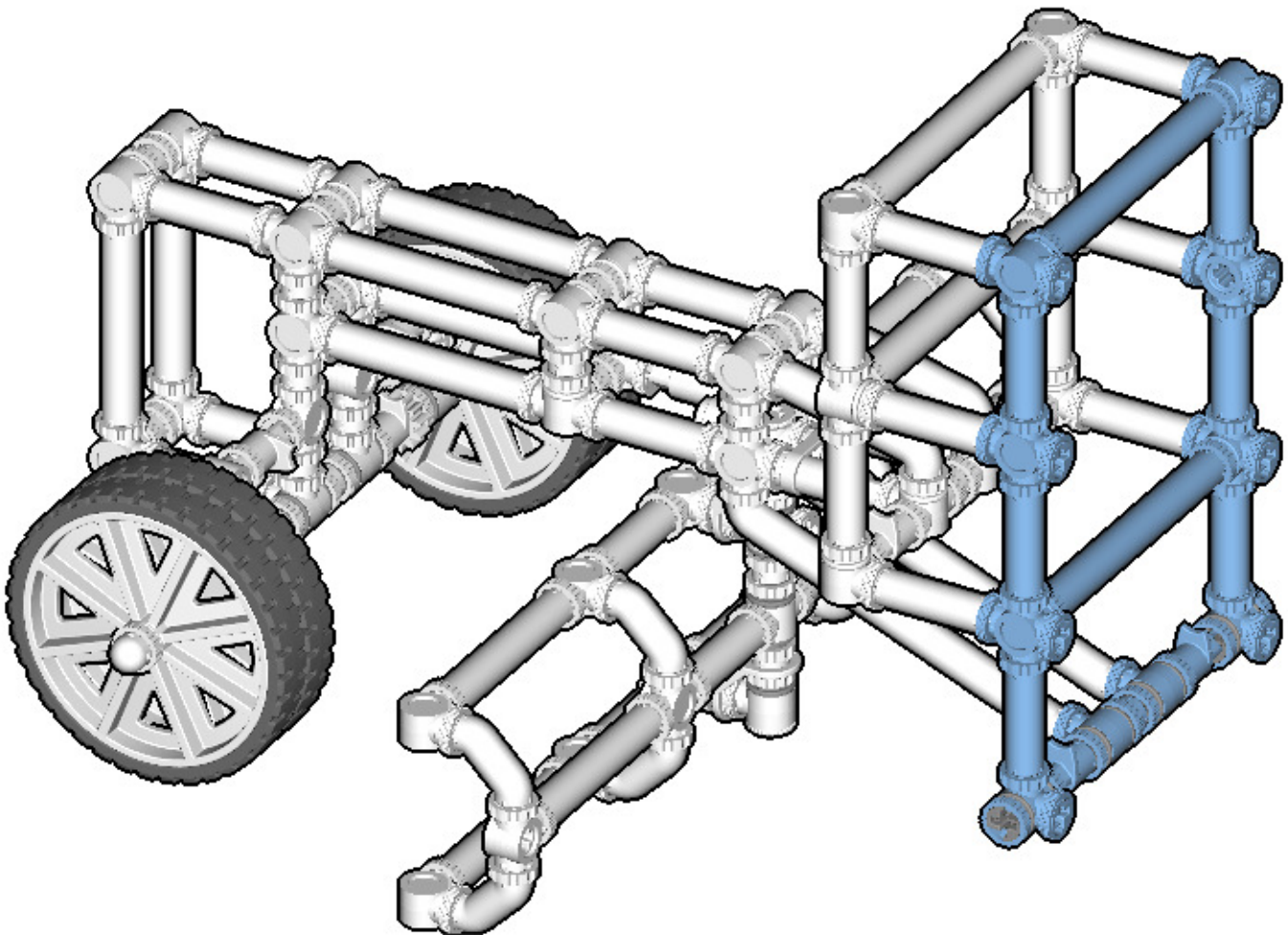
**35**

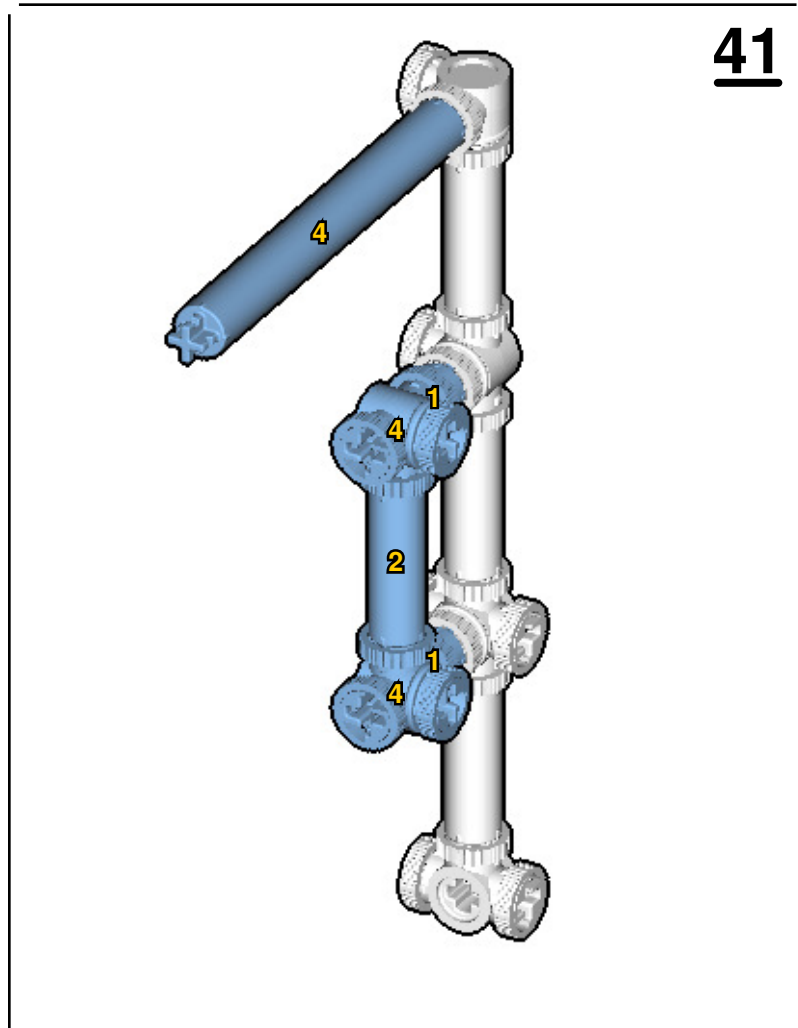
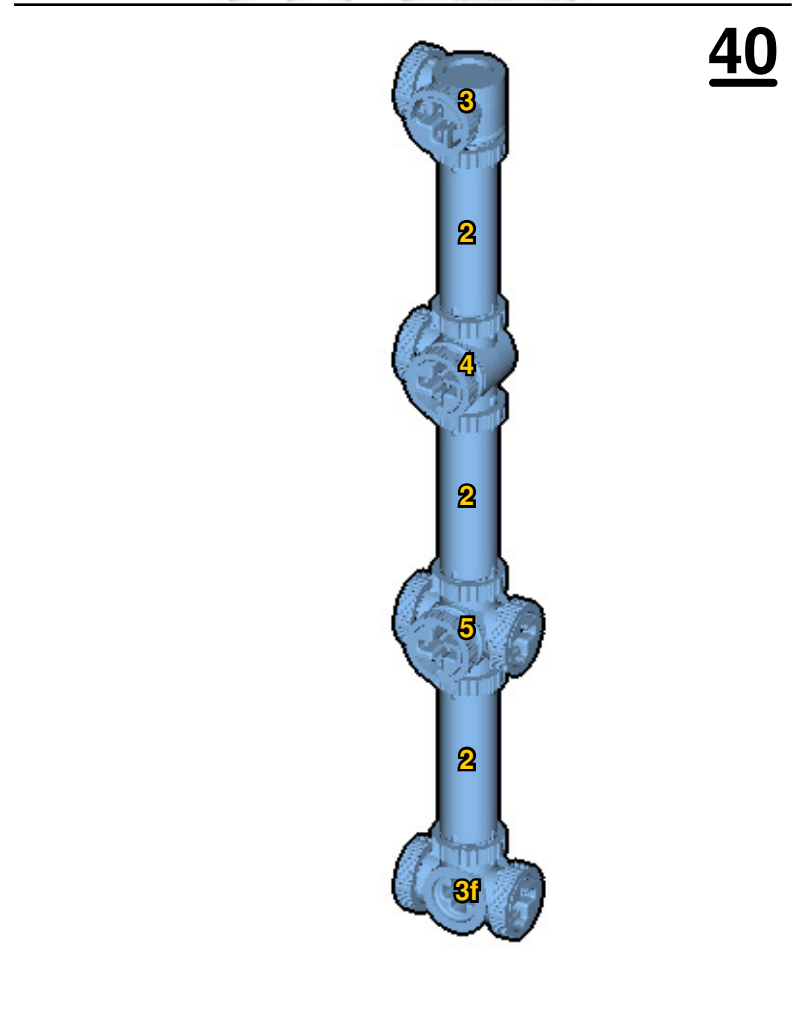
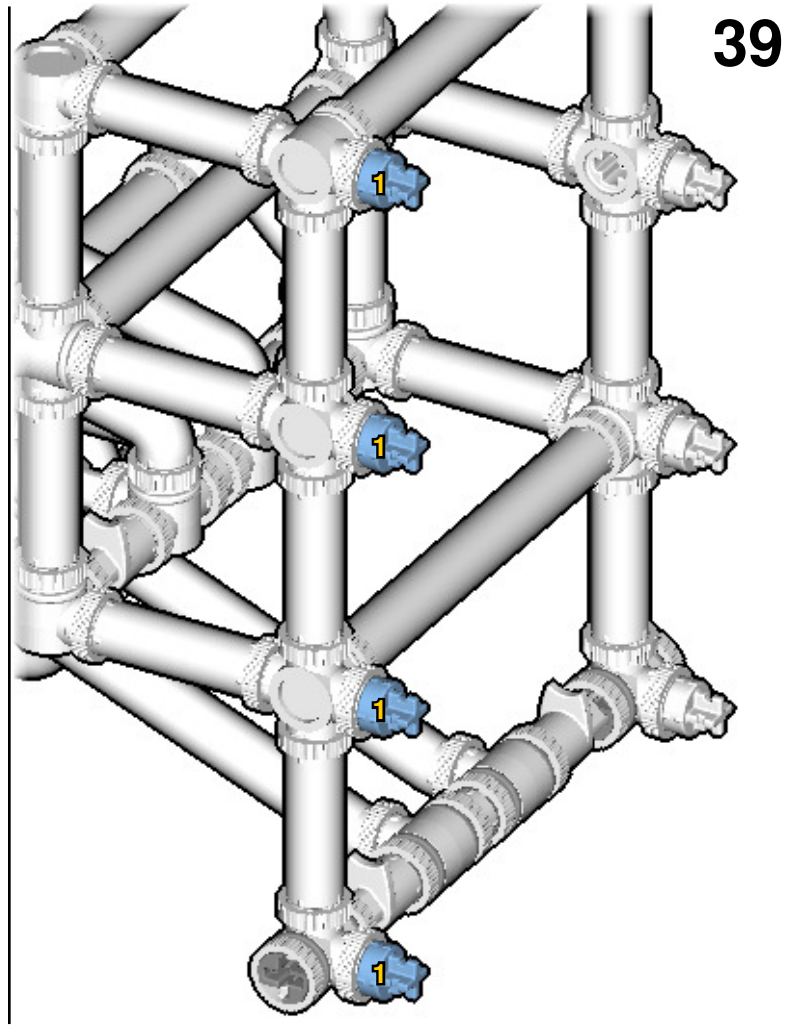
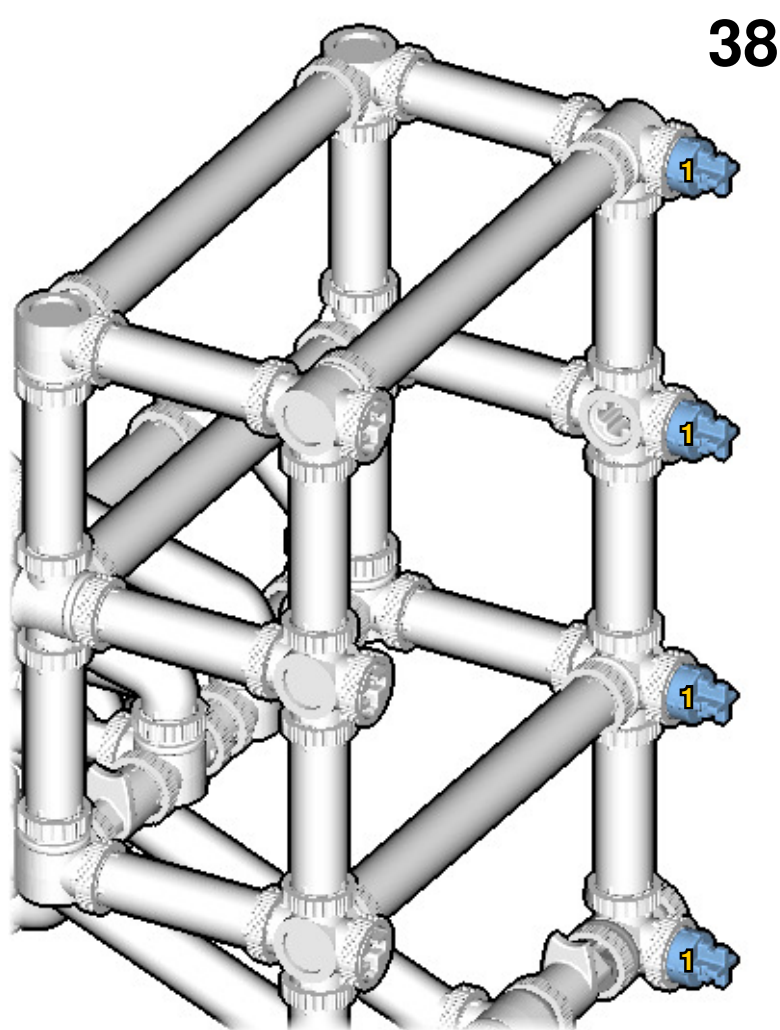


**36**

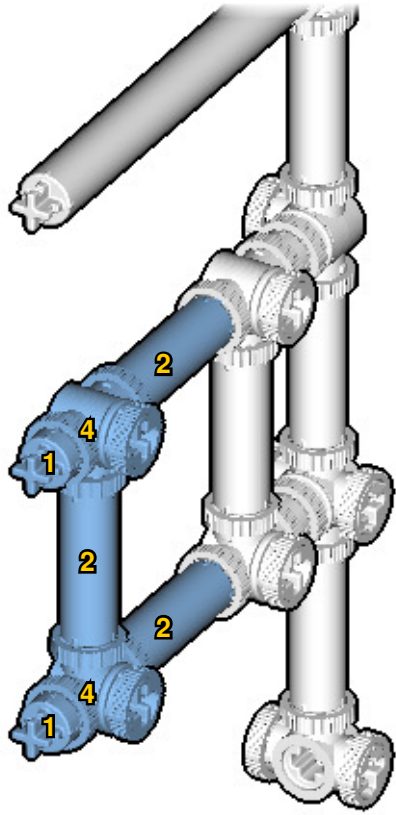


**37**

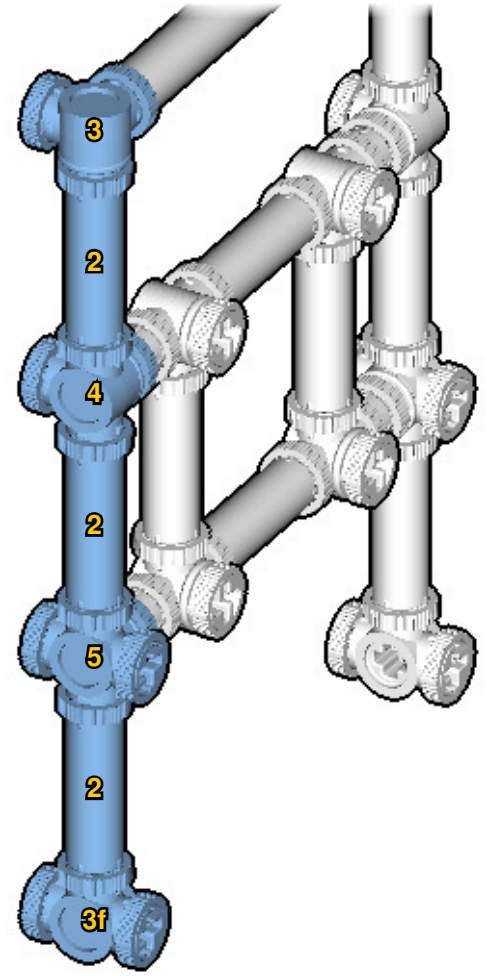




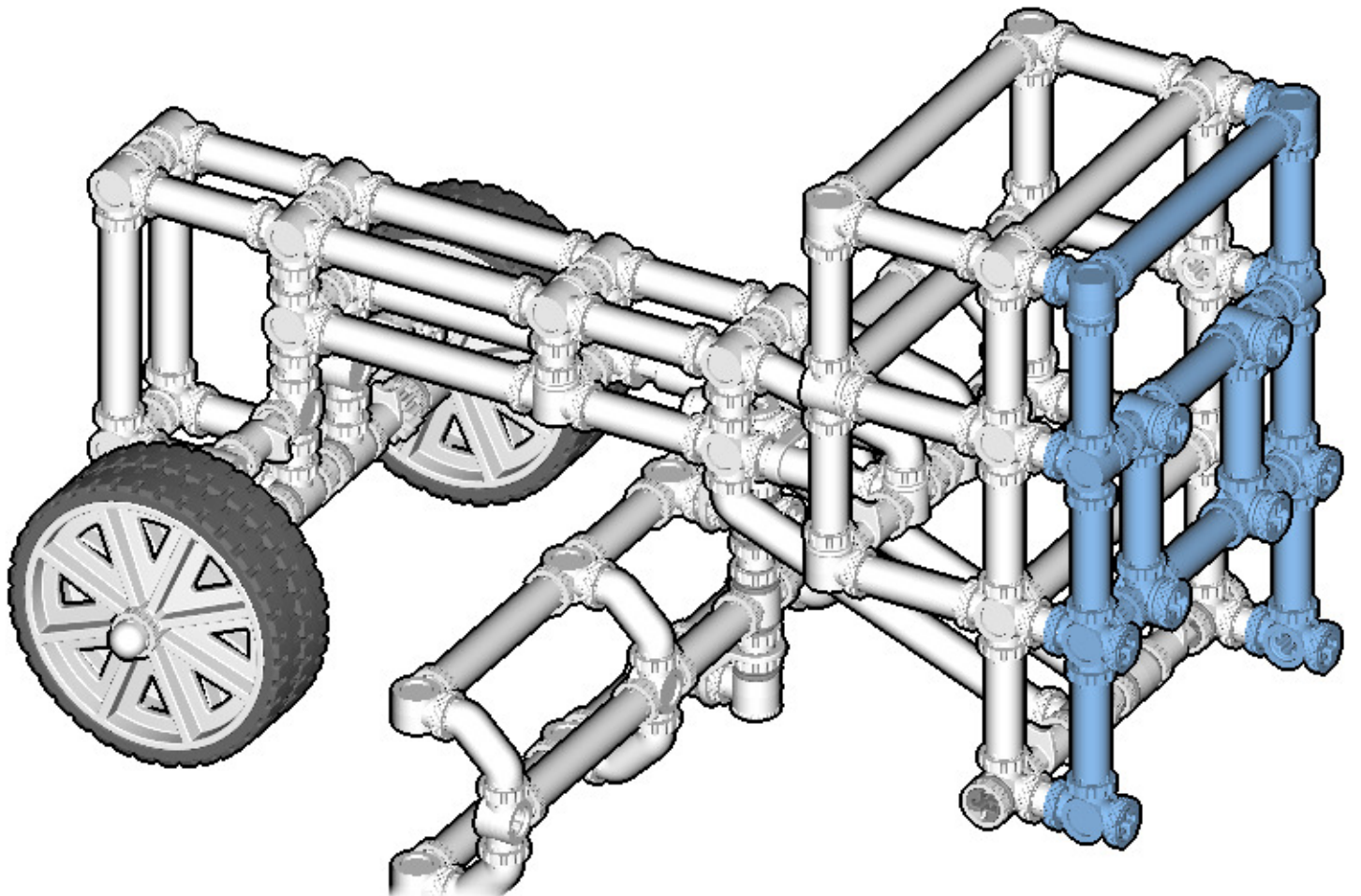
**42**



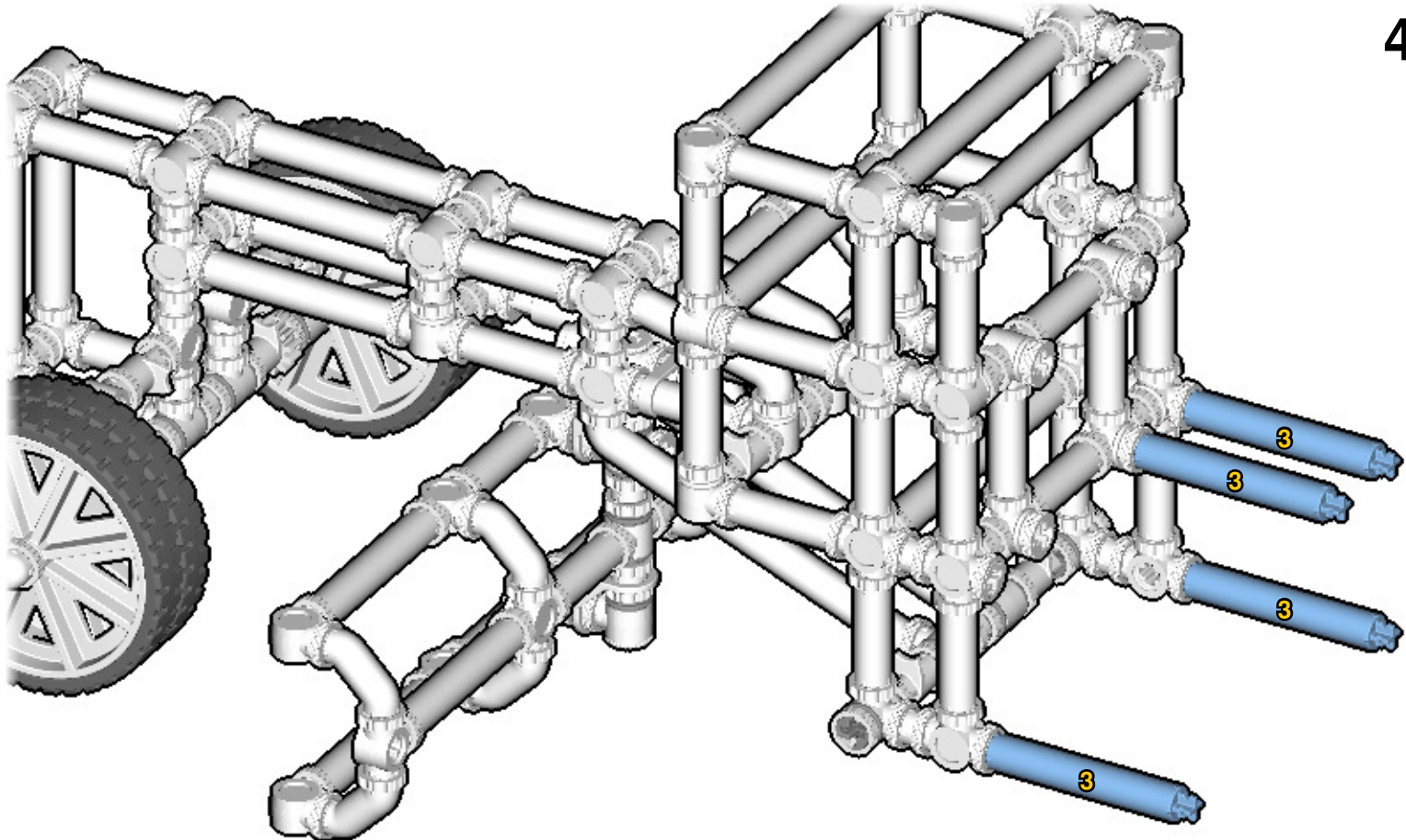
**43**



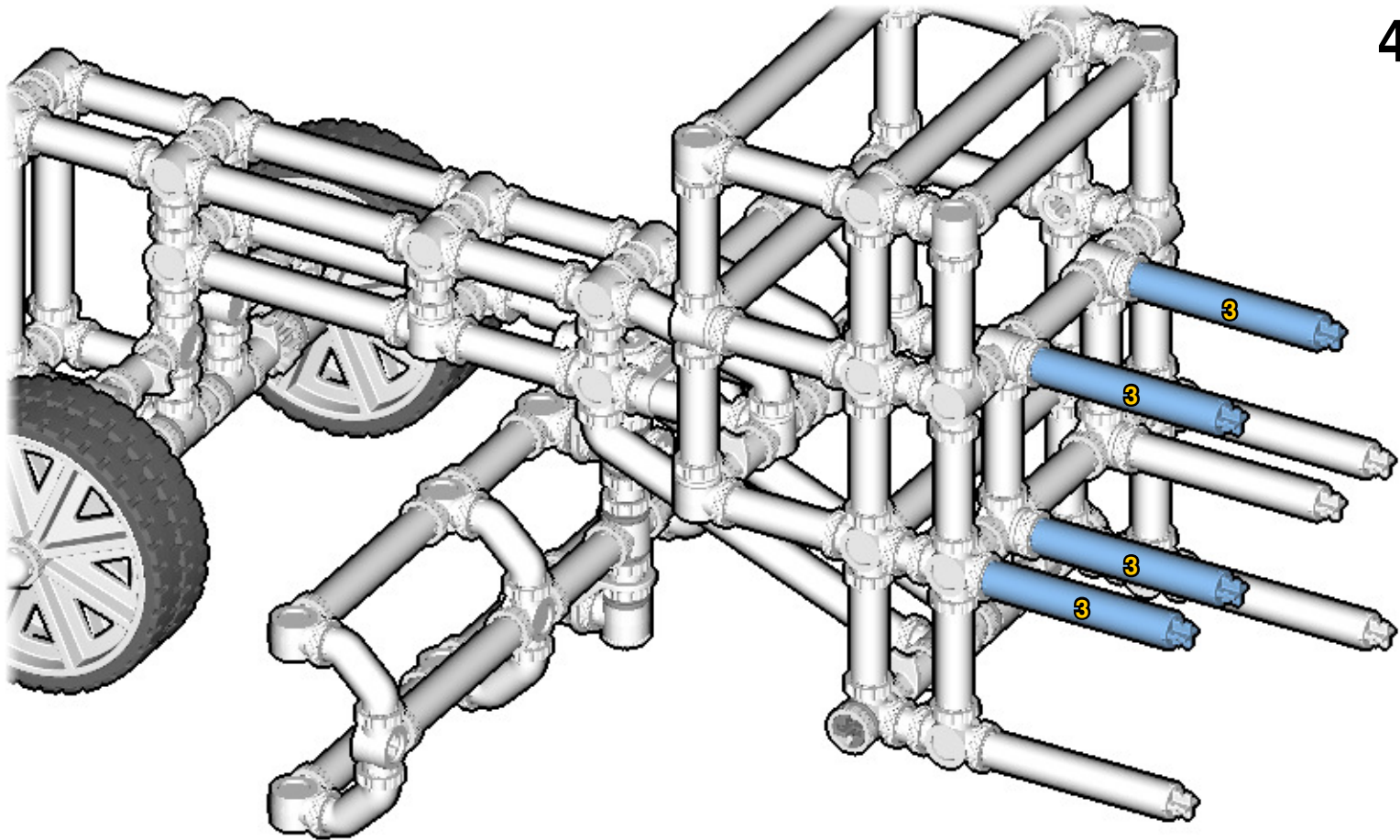
**44**



45

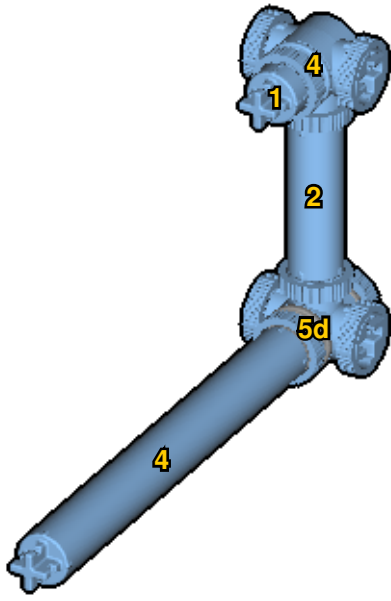


46

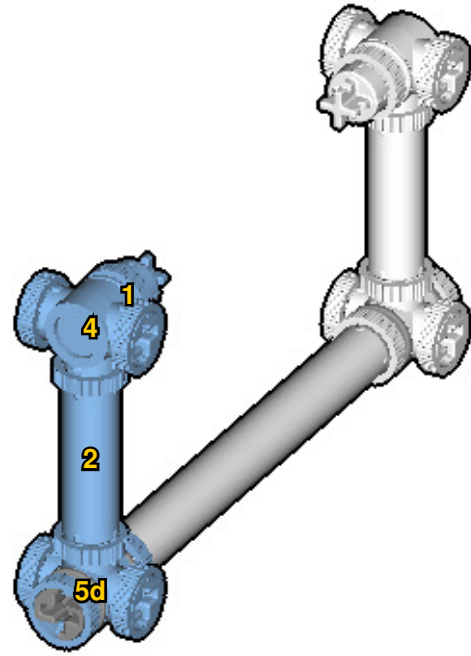




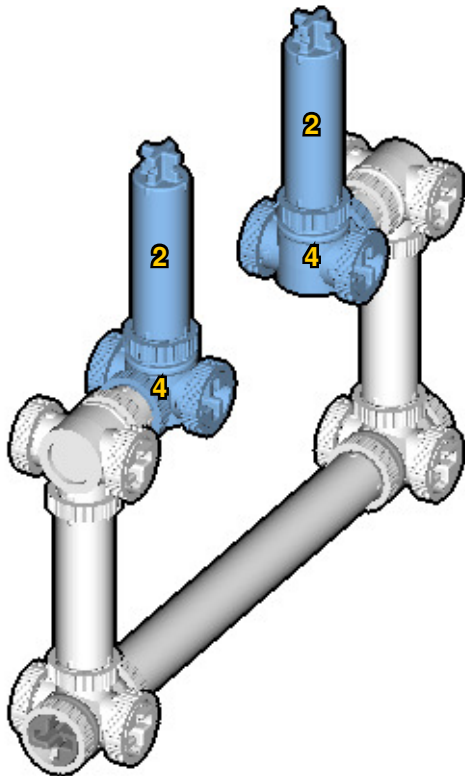
47



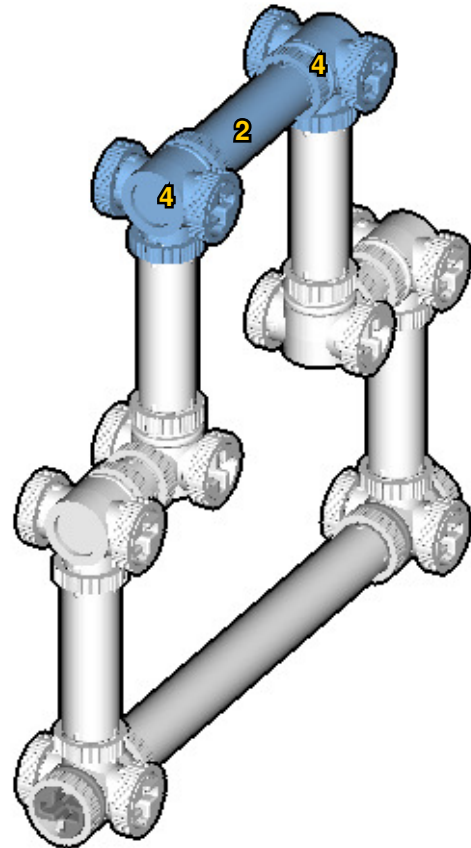
48



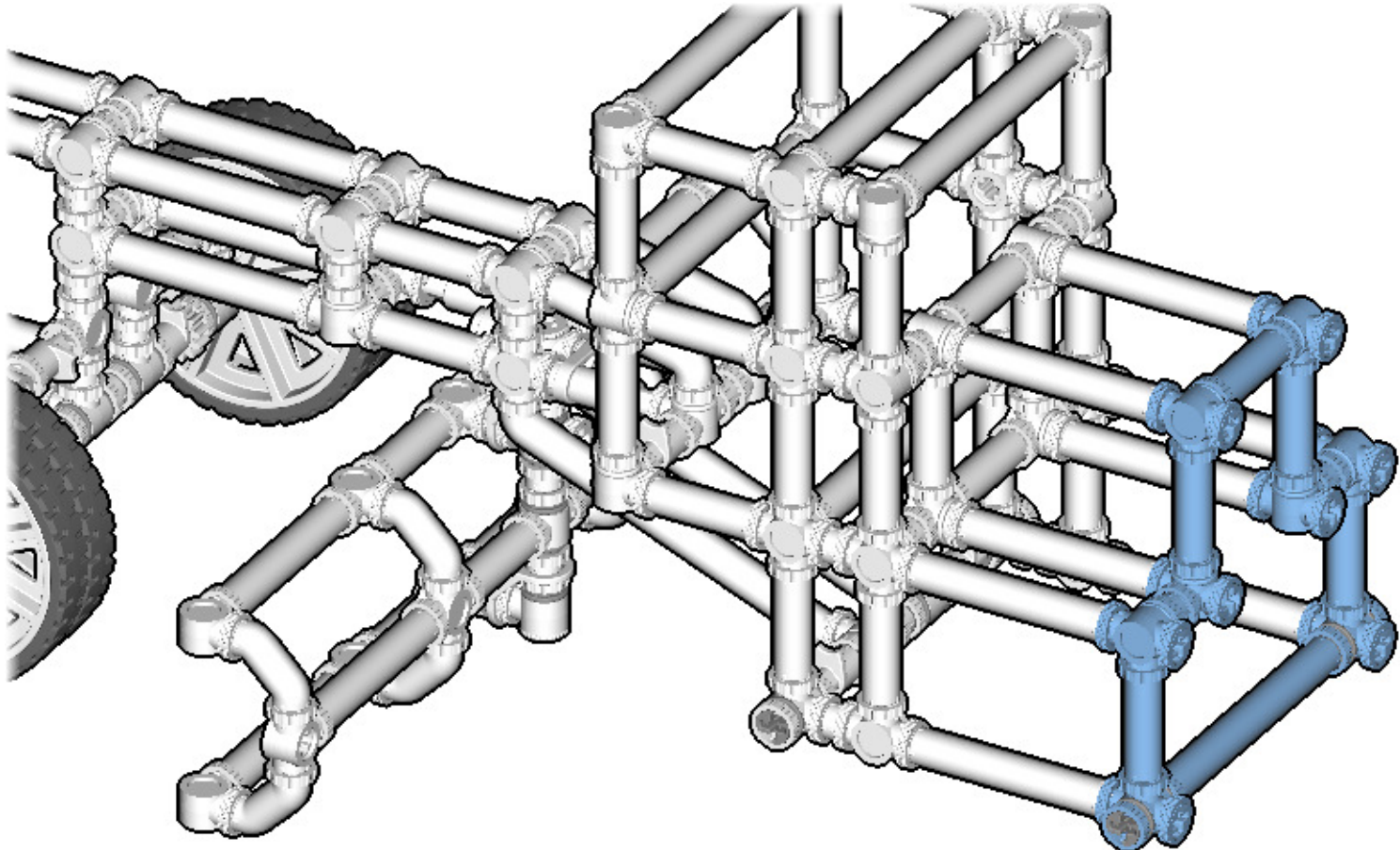
49



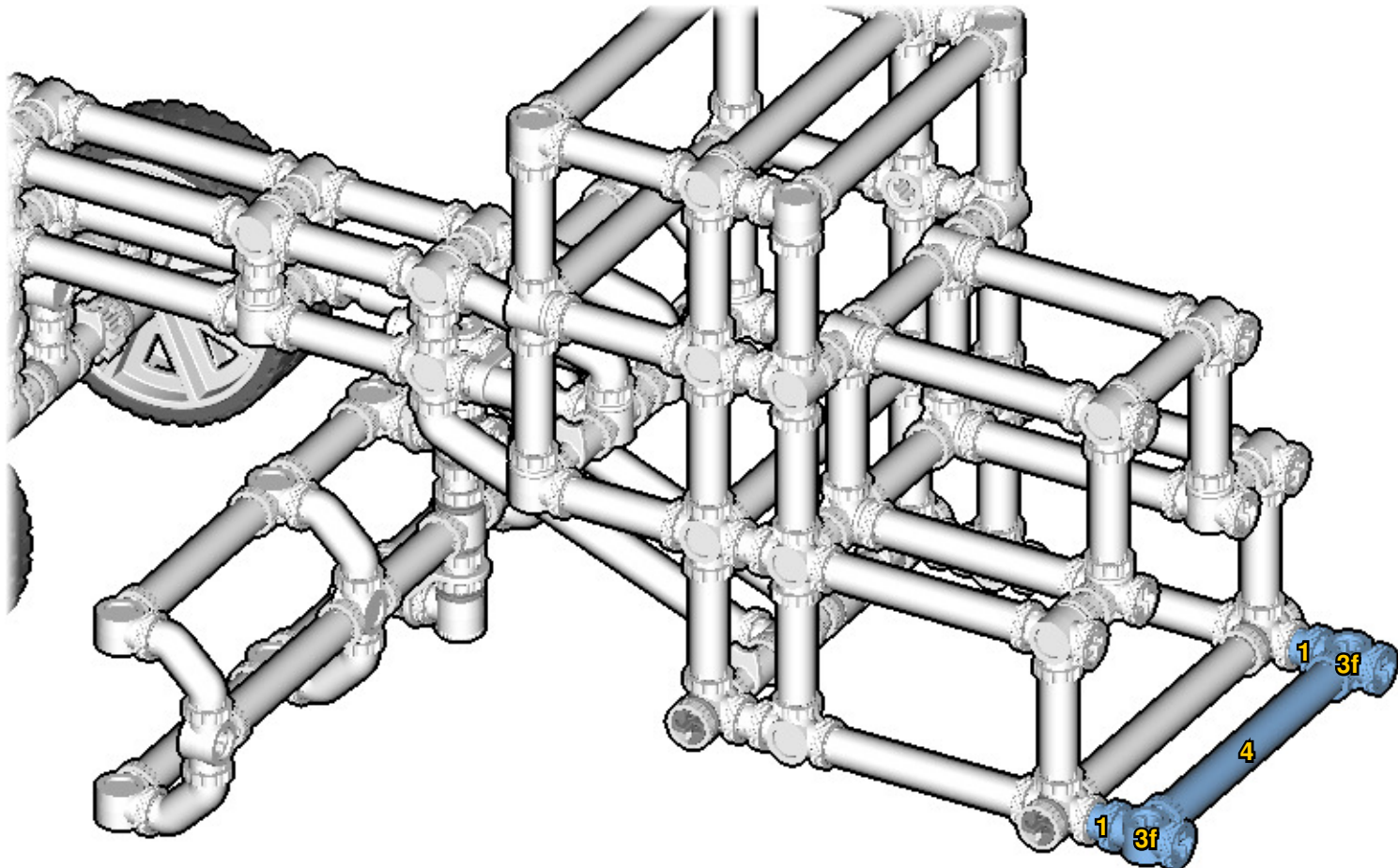
50

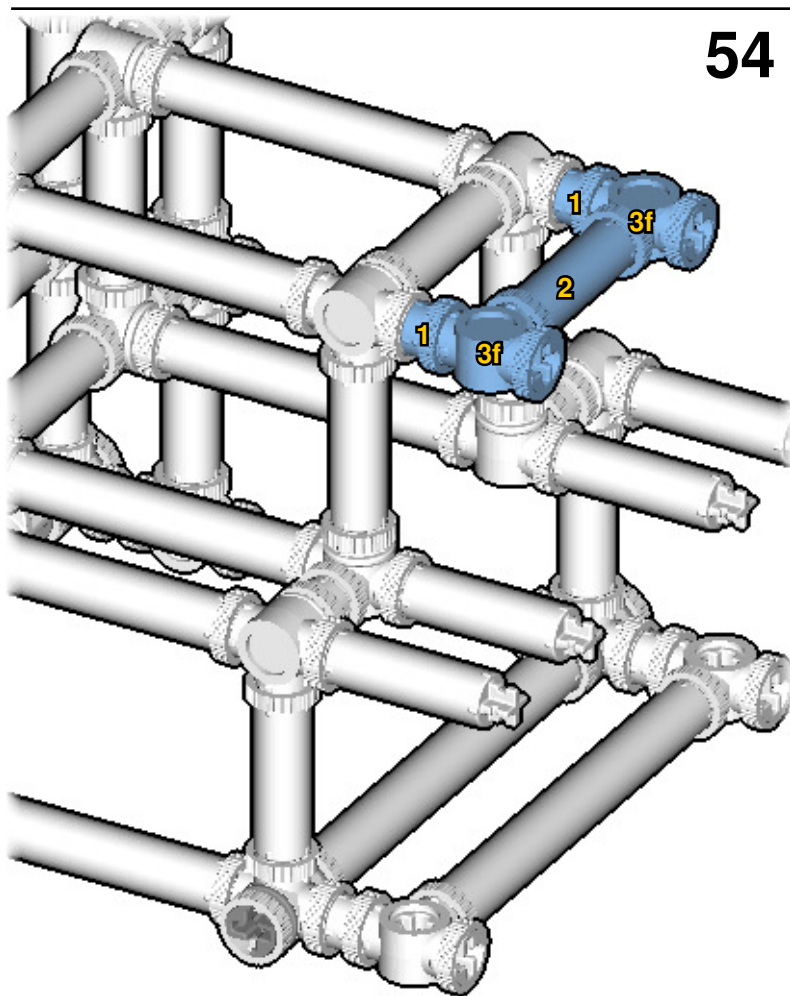
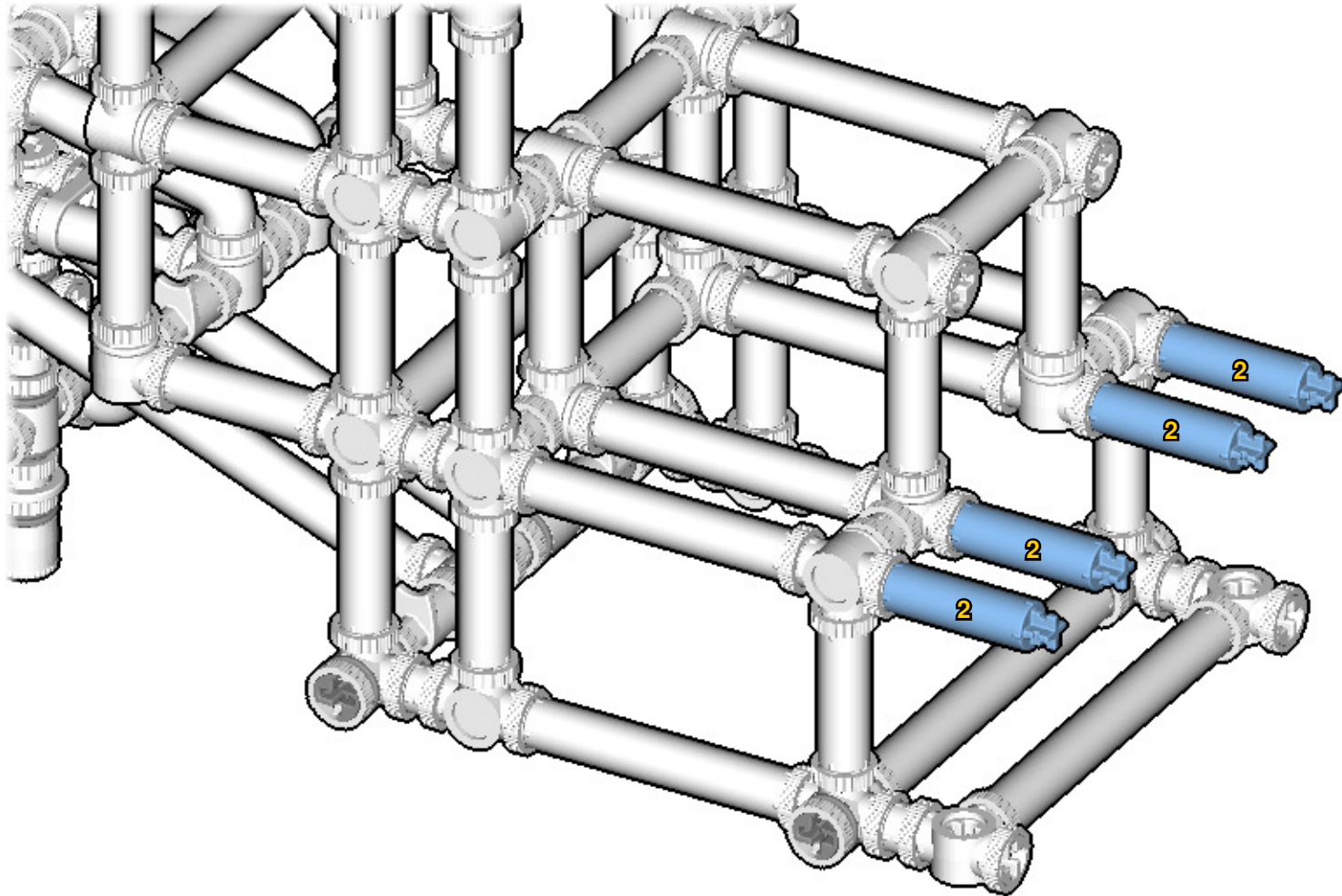


51

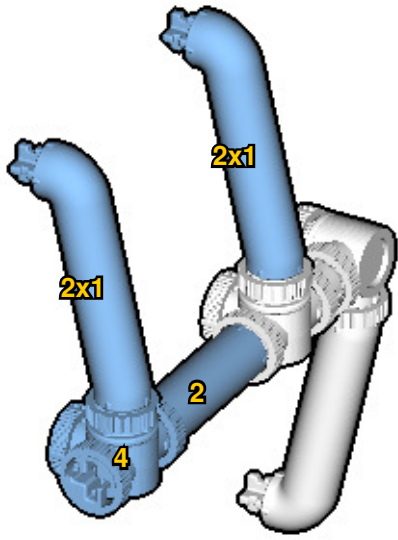


52

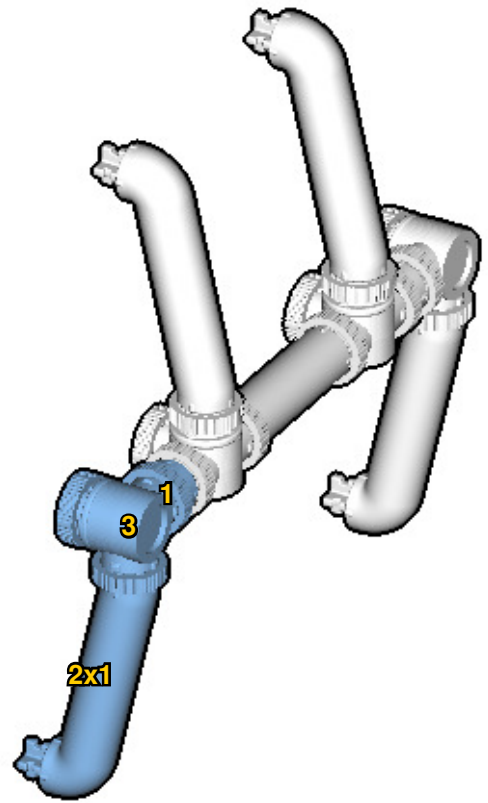




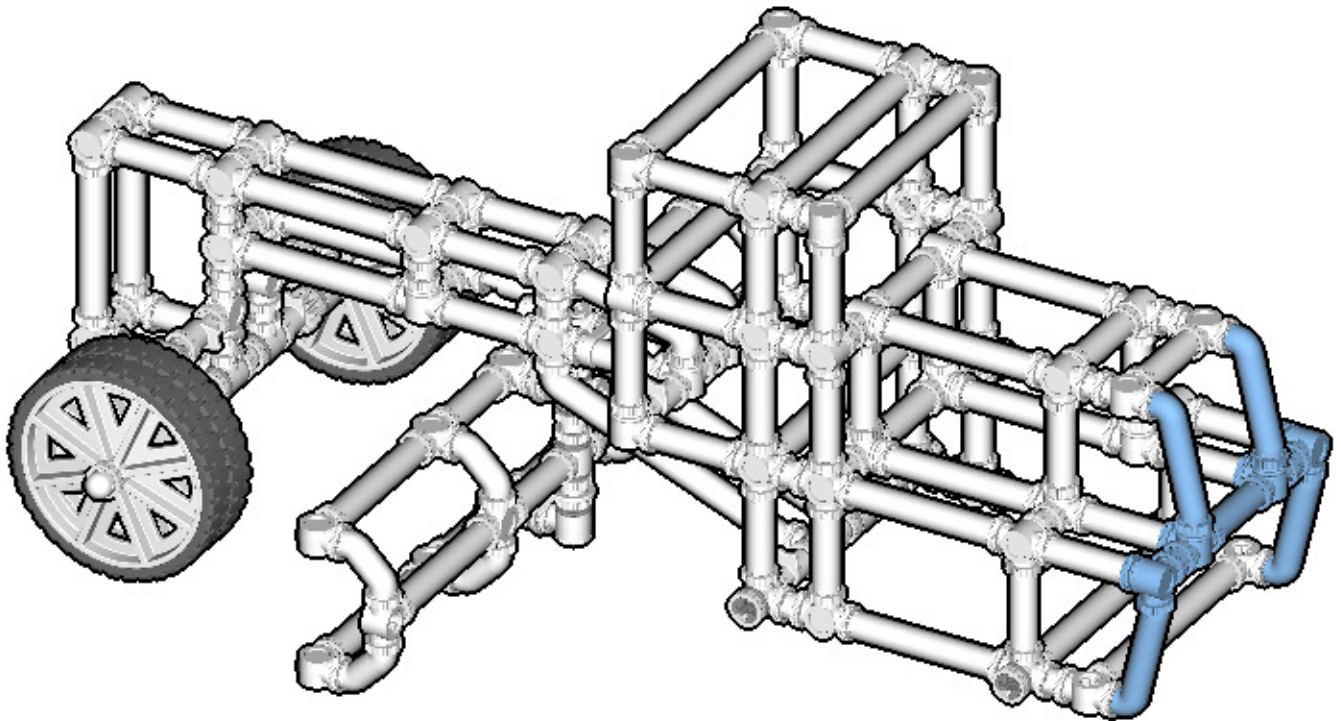
**56**

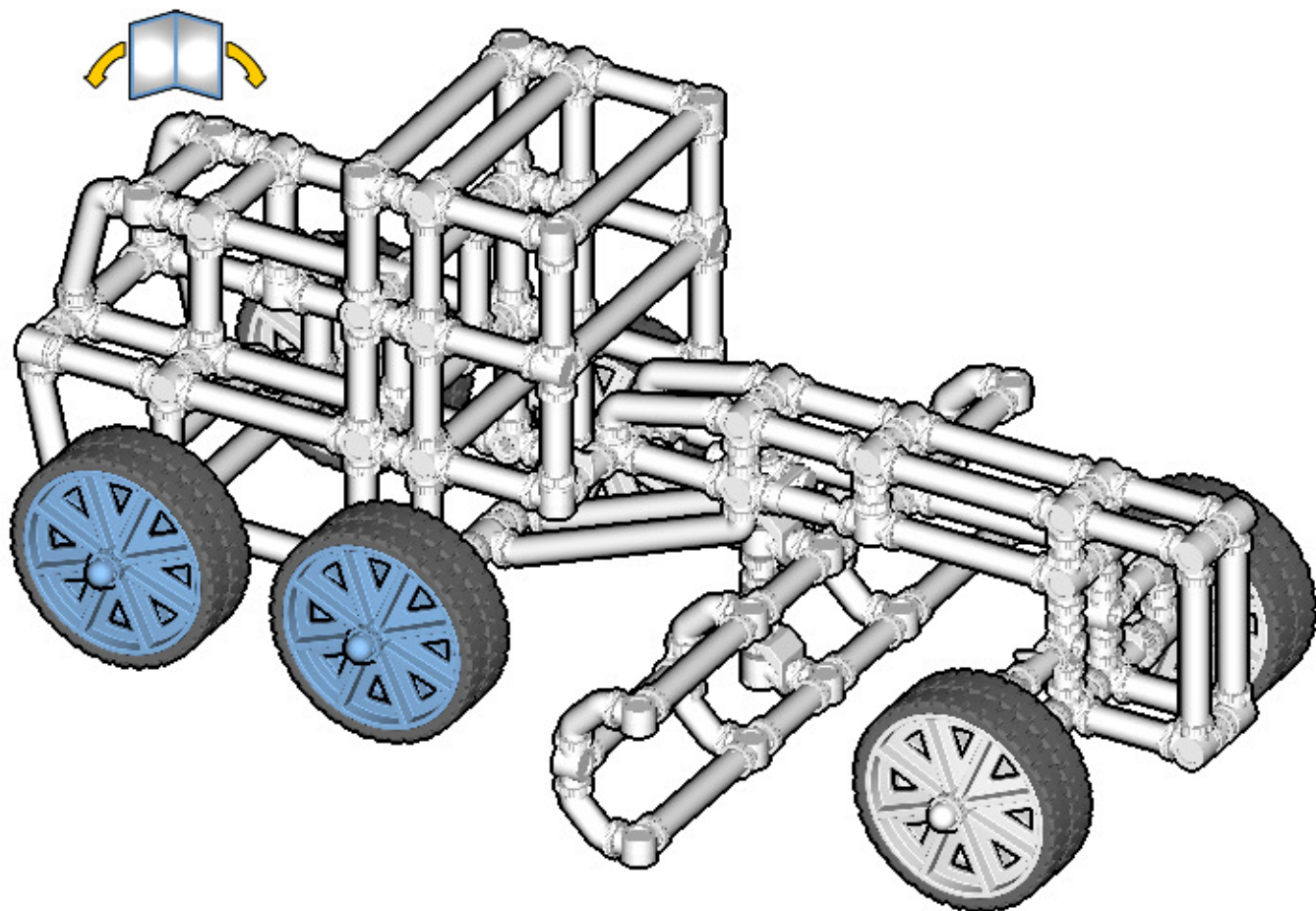
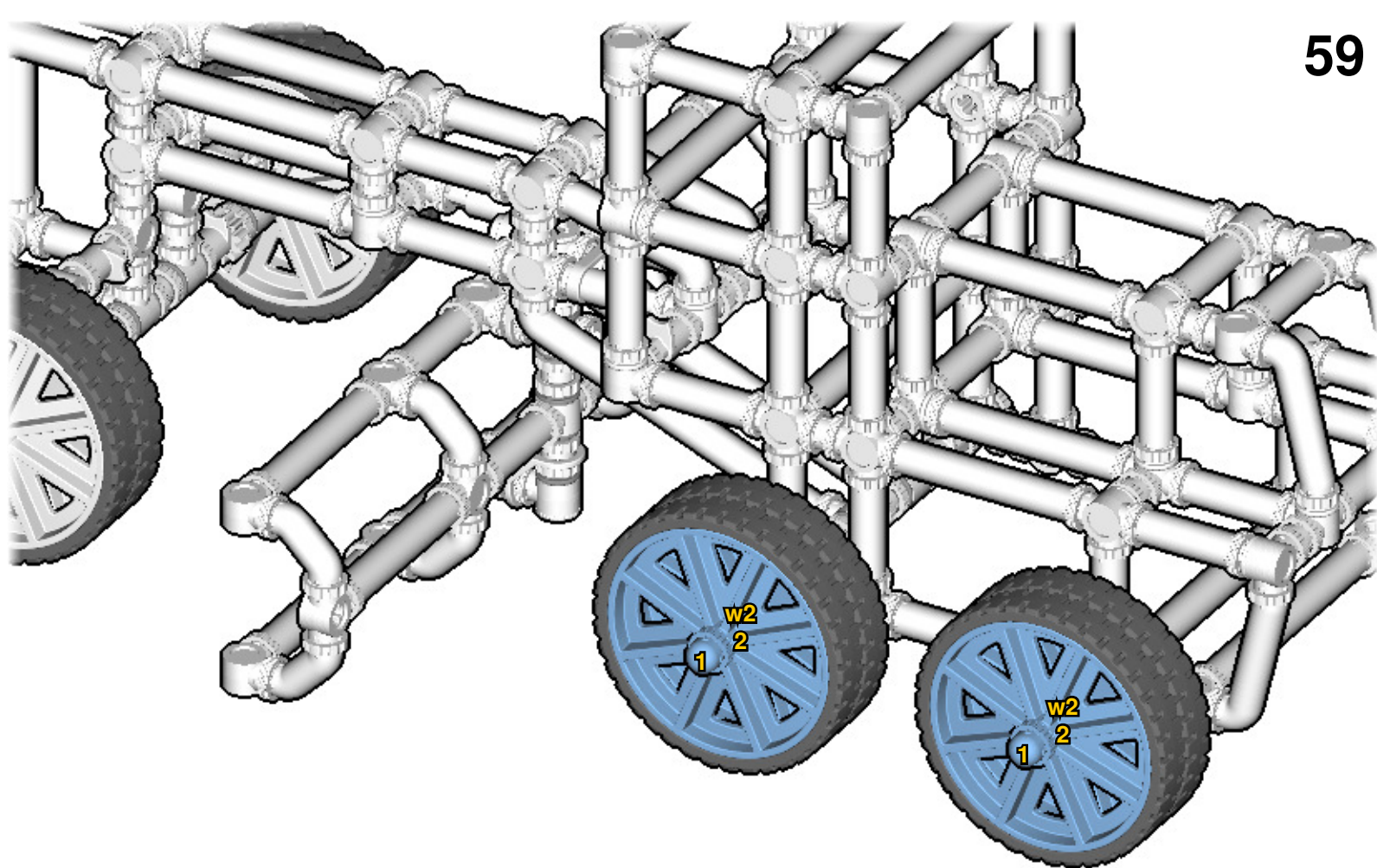


**57**

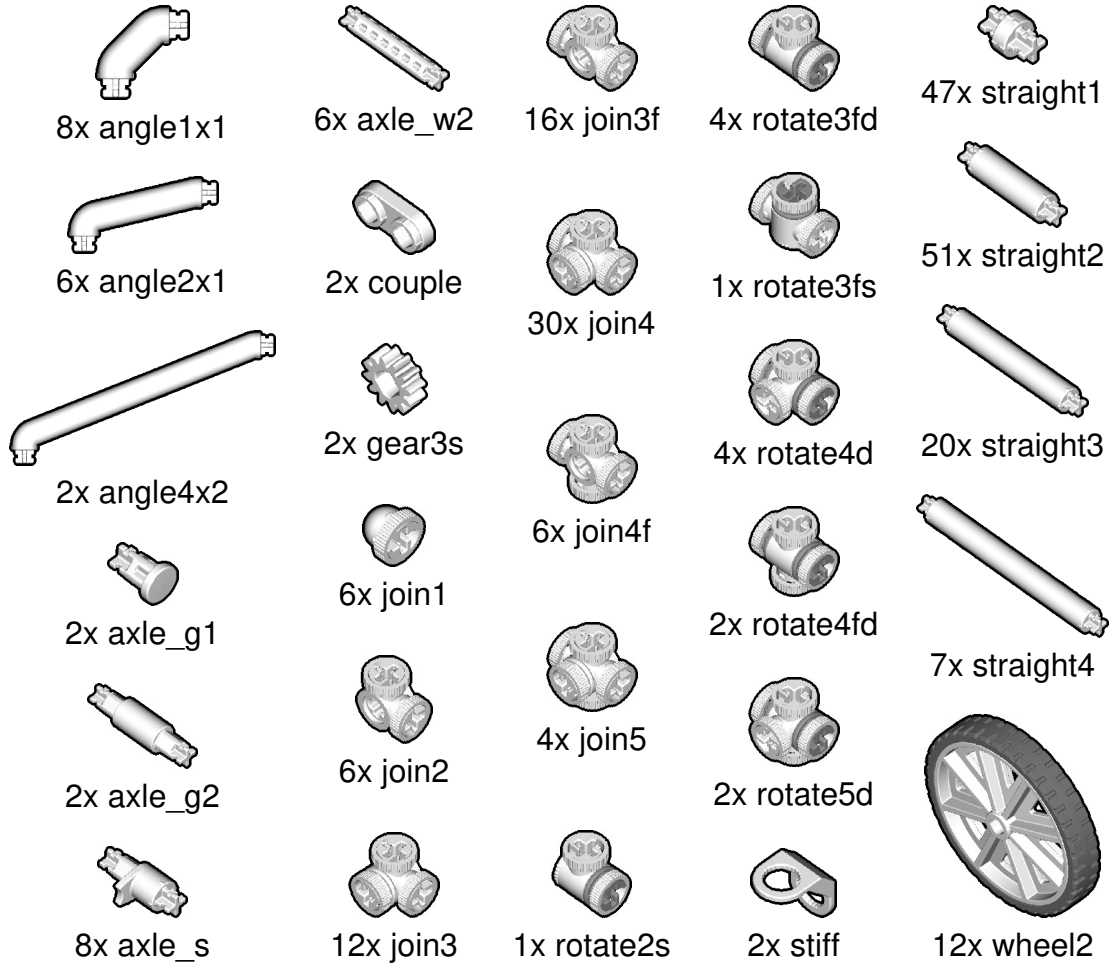


**58**





# INVENTORY



# ACTUAL SIZE

