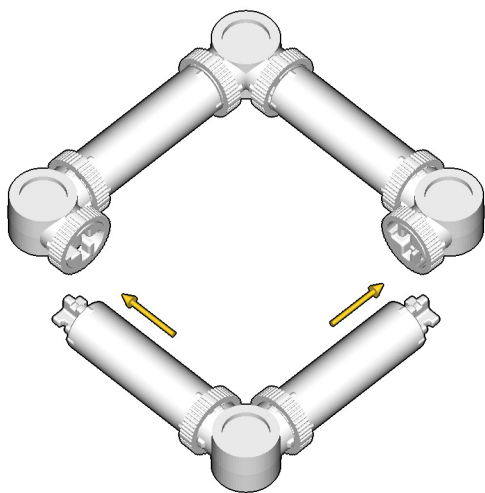


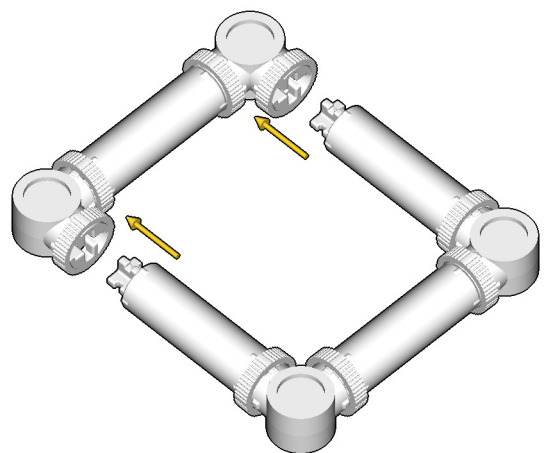
SIZE	1.5ft x 0.6ft x 0.4ft	PIECES	209
DESIGNER	Charles Sharman	MADE IN	U.S.A.

SPORTS CAR

⚠ WARNING: Small parts. Age 12+. Handle responsibly. U.S. Patent 9,086,087.

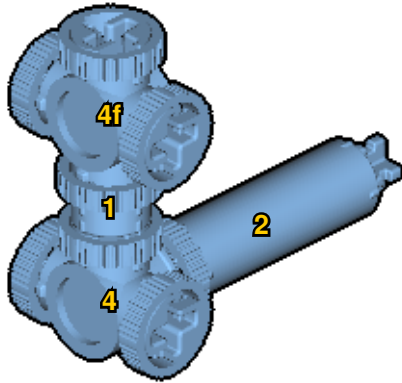


Wrong
Connecting/Disconnecting Two Directions



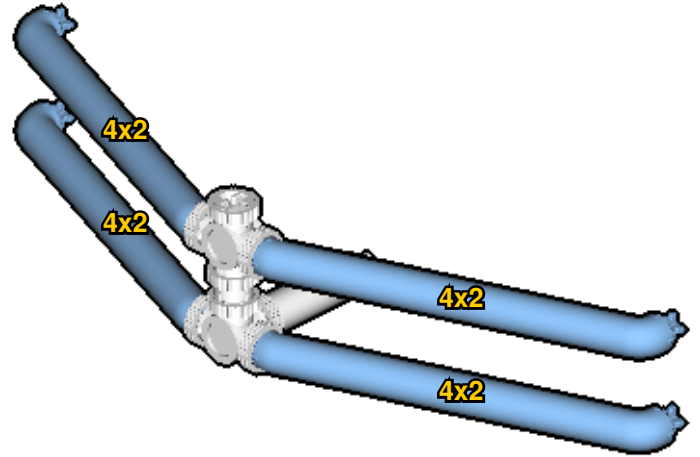
Right
Connecting/Disconnecting One Direction

1



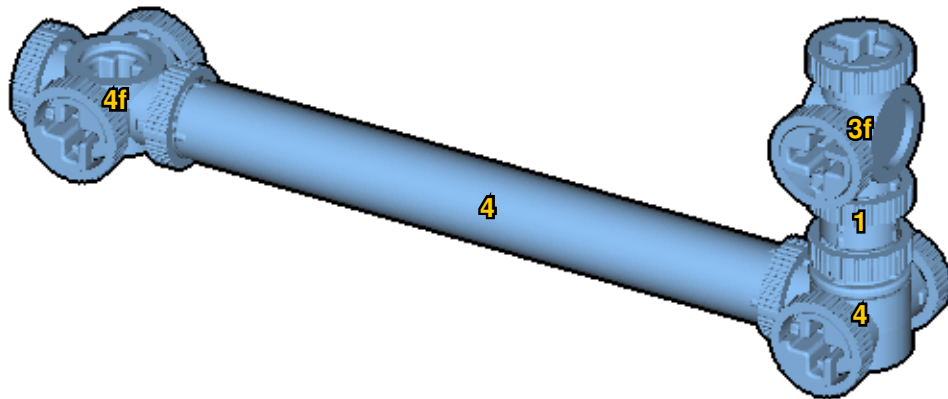
New pieces are drawn blue. Old pieces are drawn white.
See back for piece names.

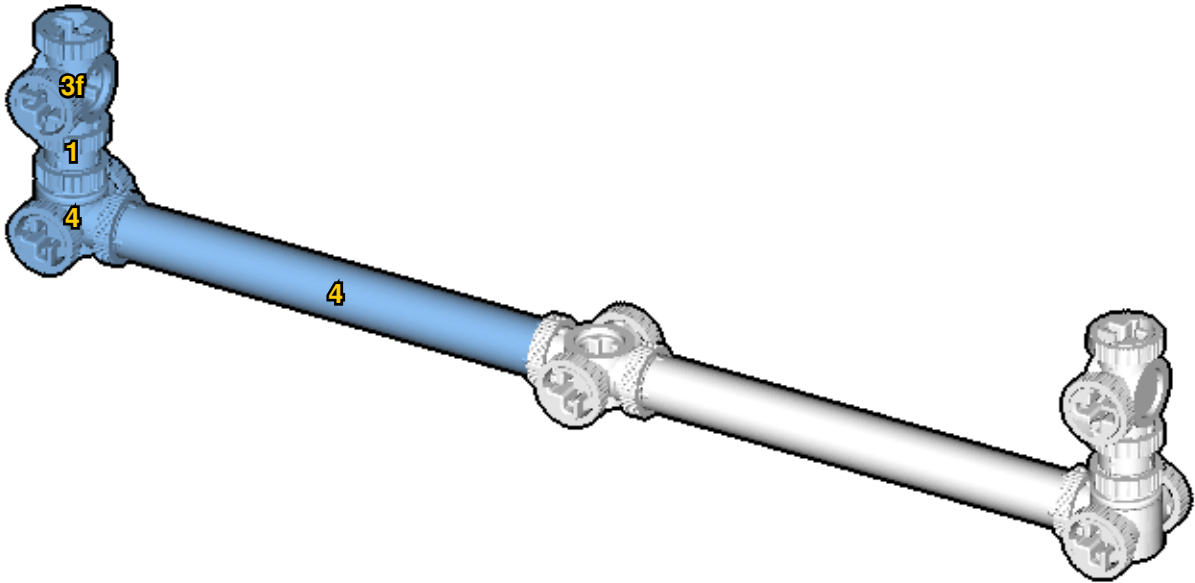
2



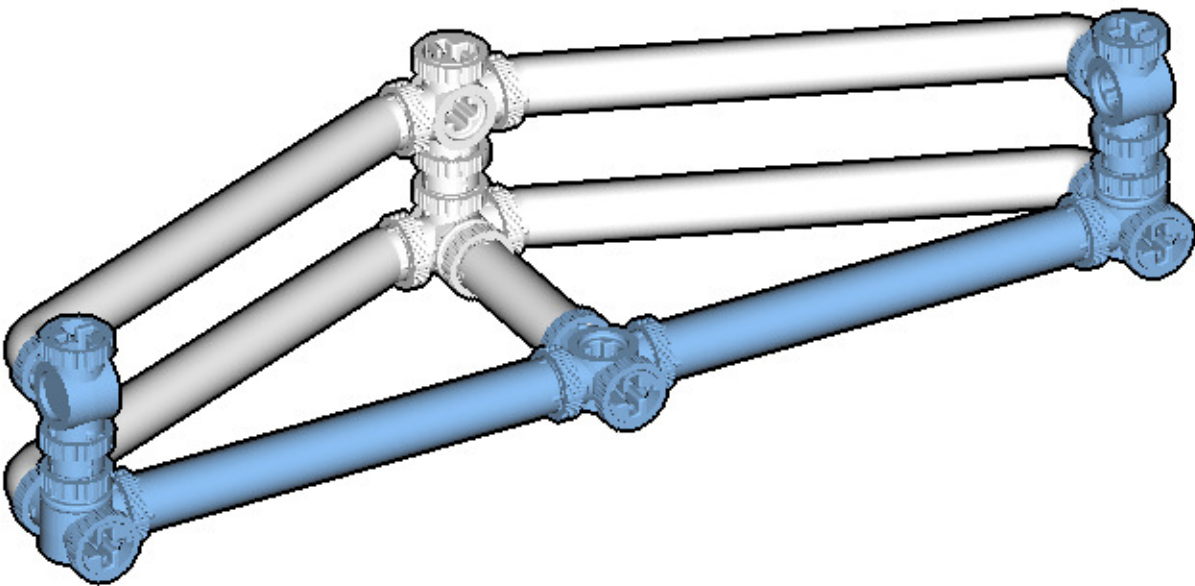
Connect new pieces together before connecting to old pieces.

Submodel begins → **3**

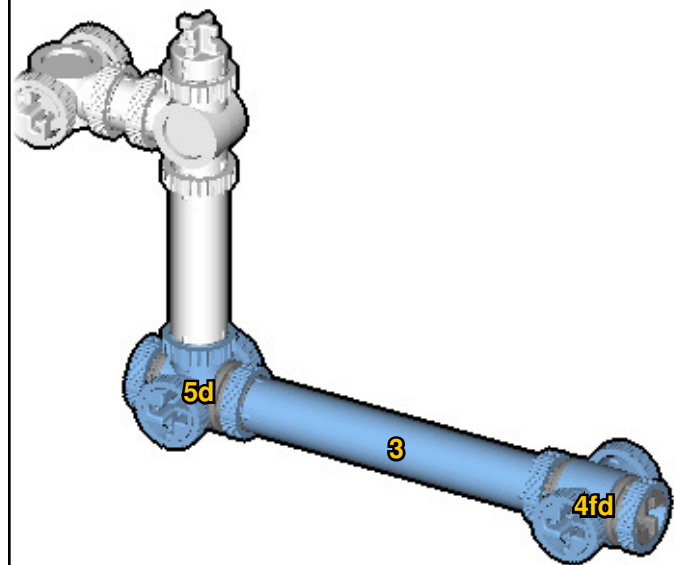
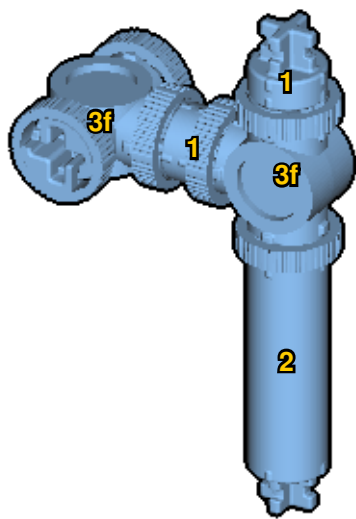
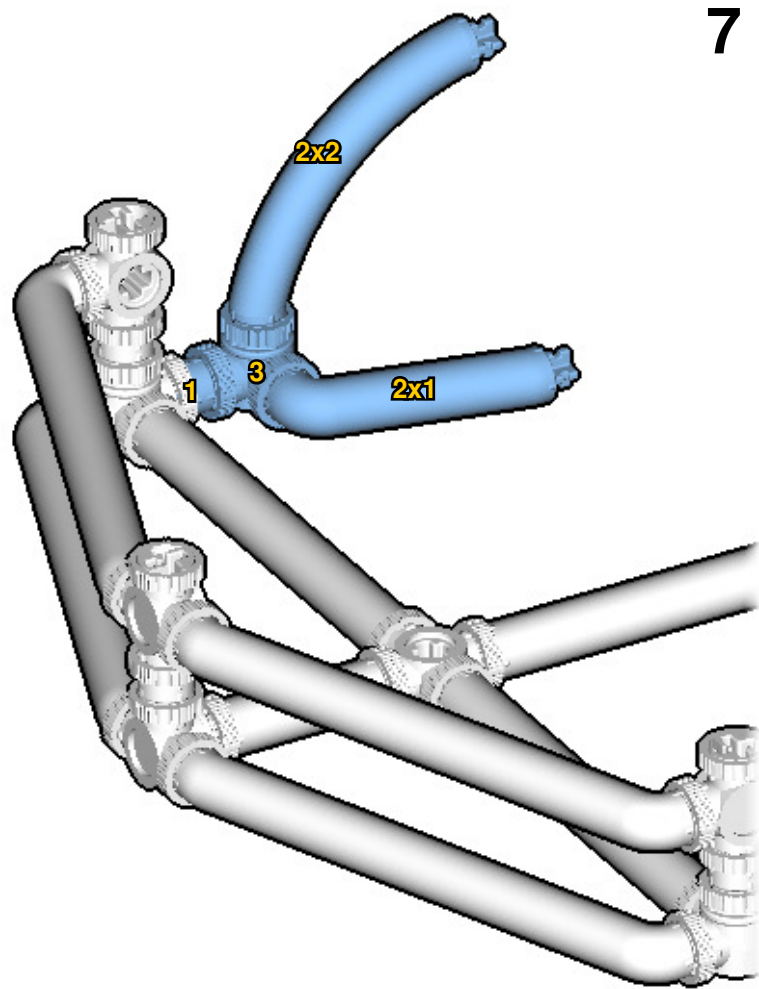
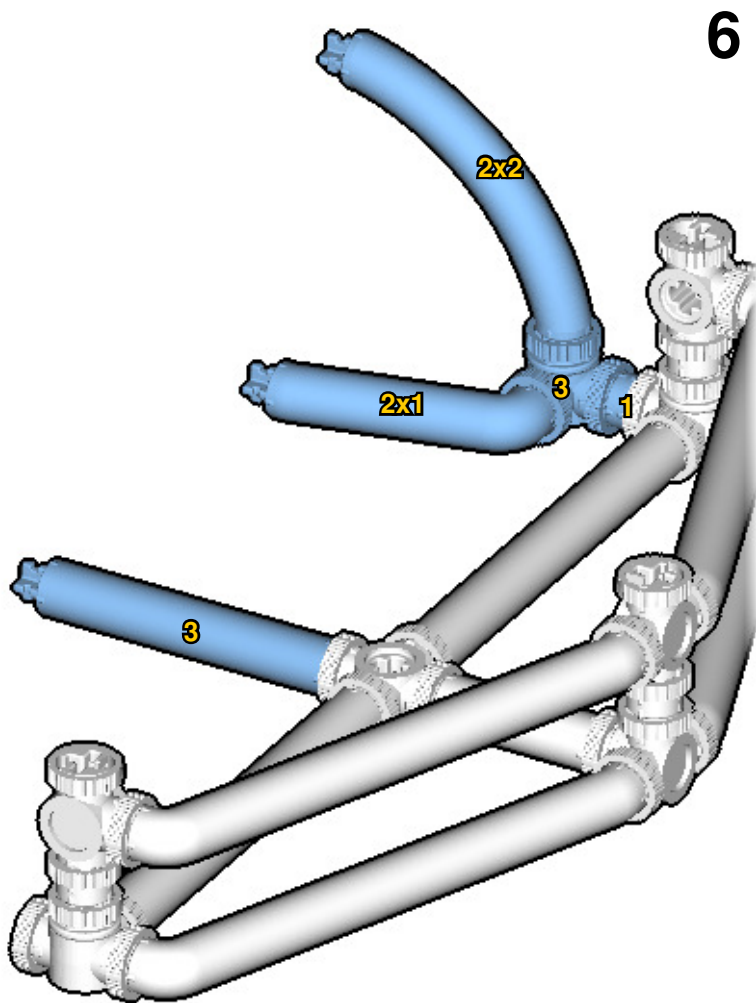


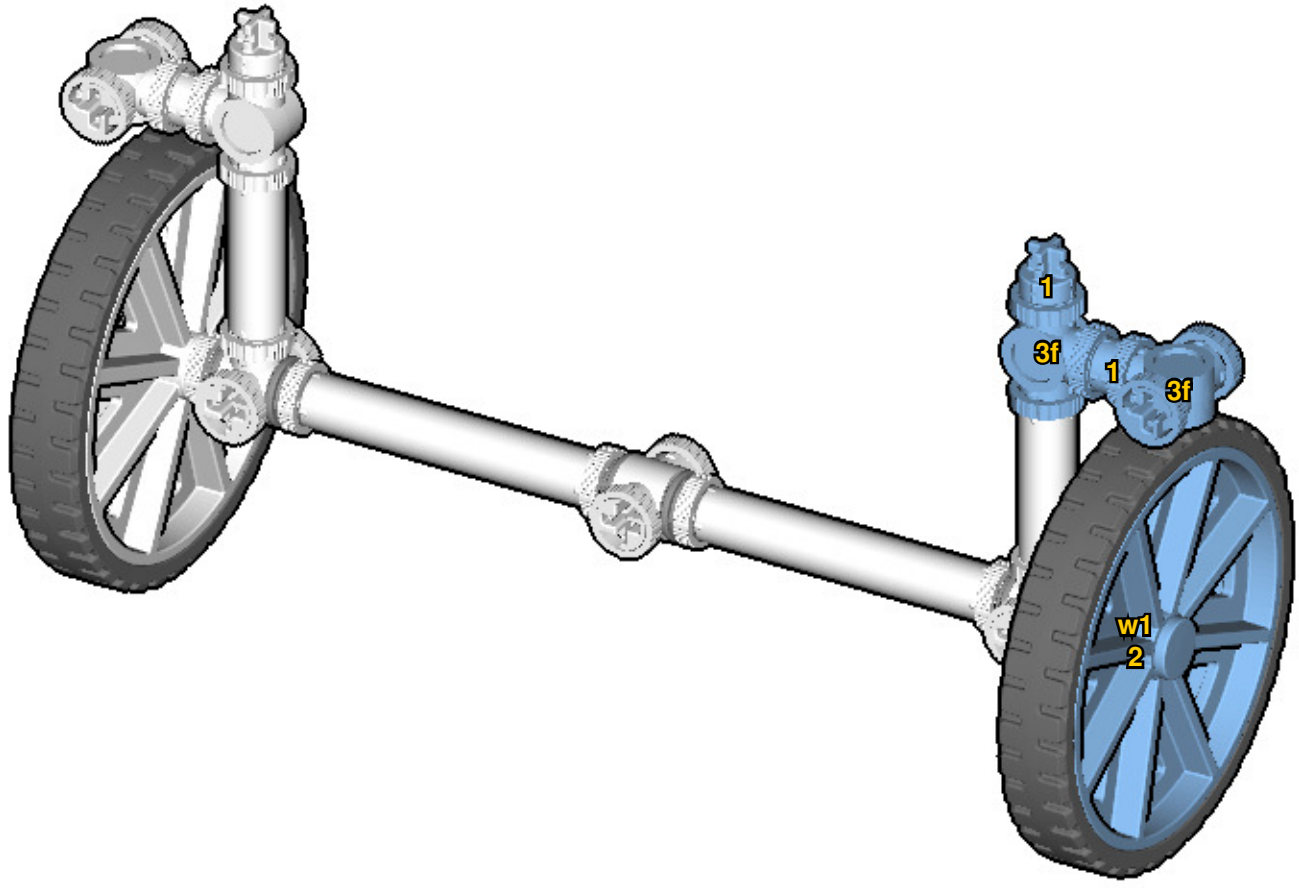
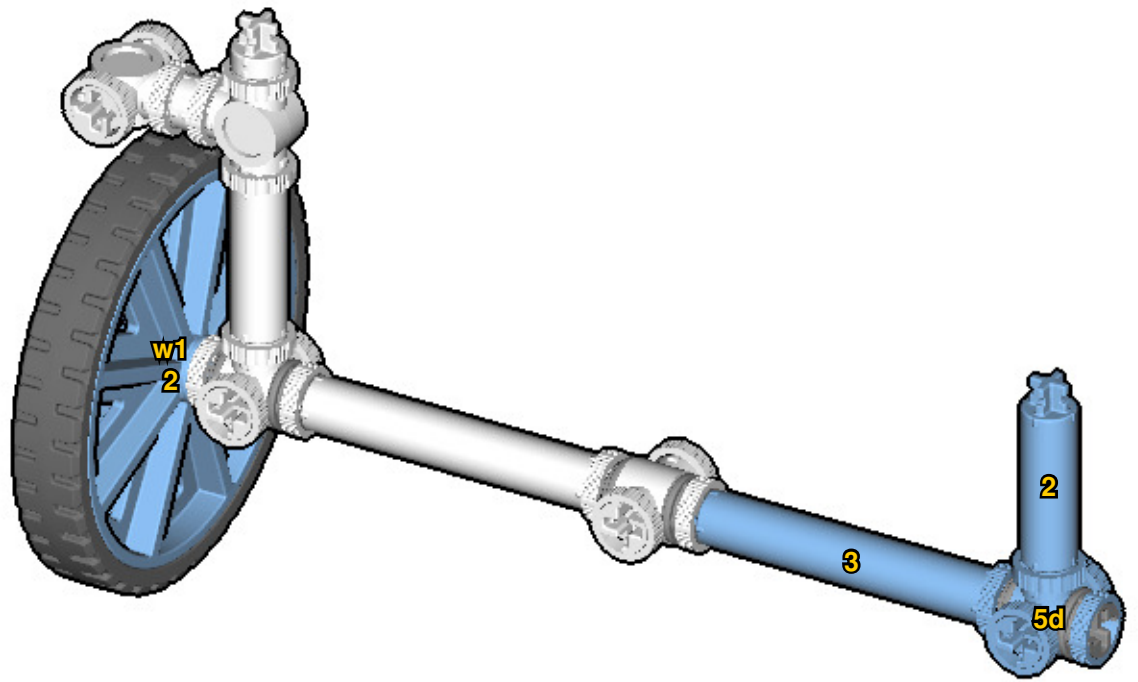
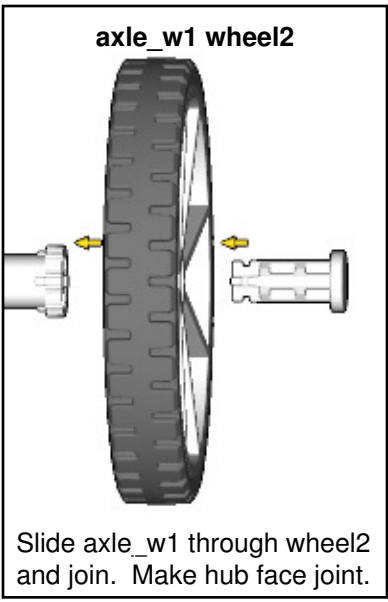


Submodel ends → **5**

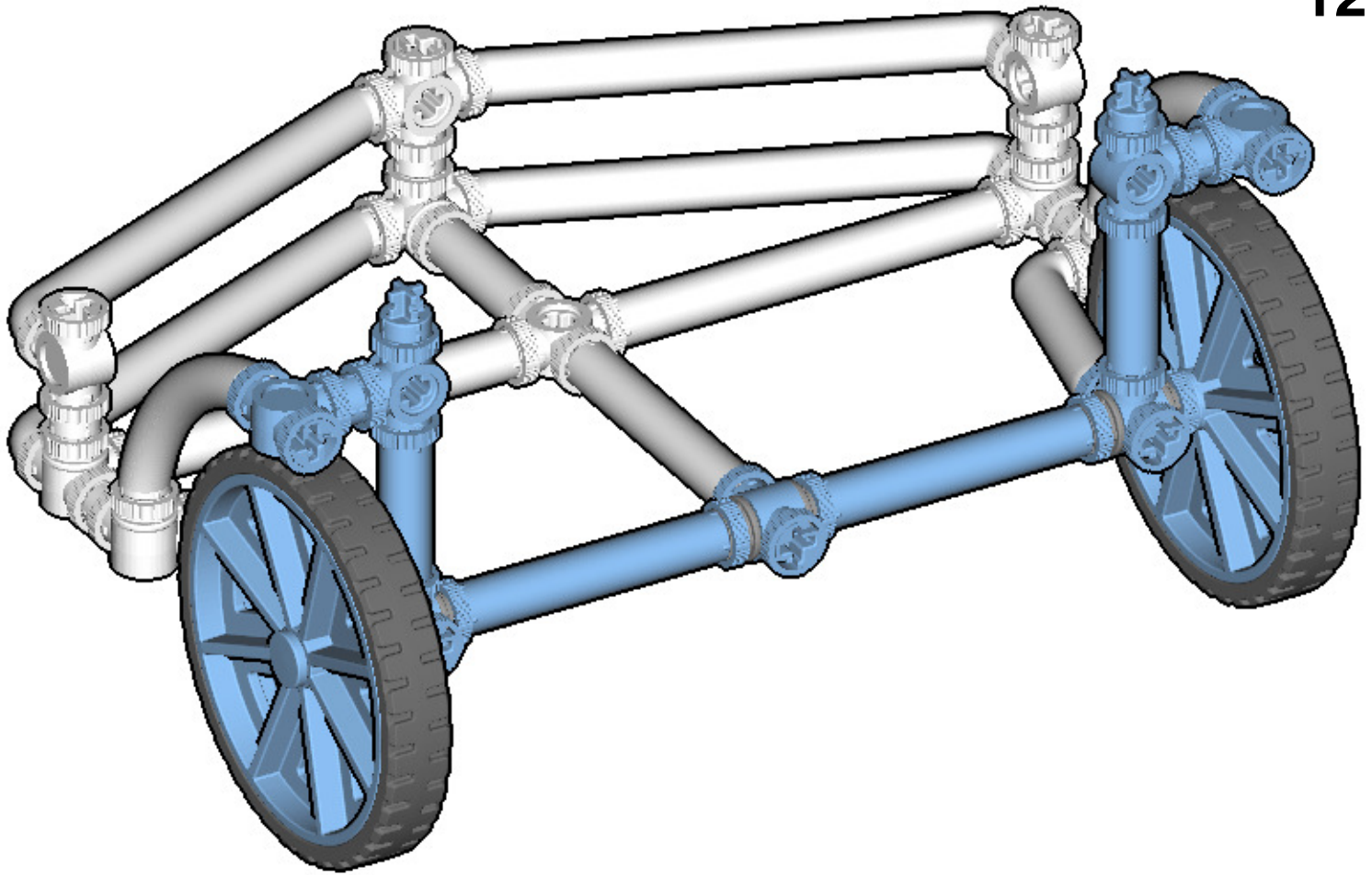


Connect submodel to model.

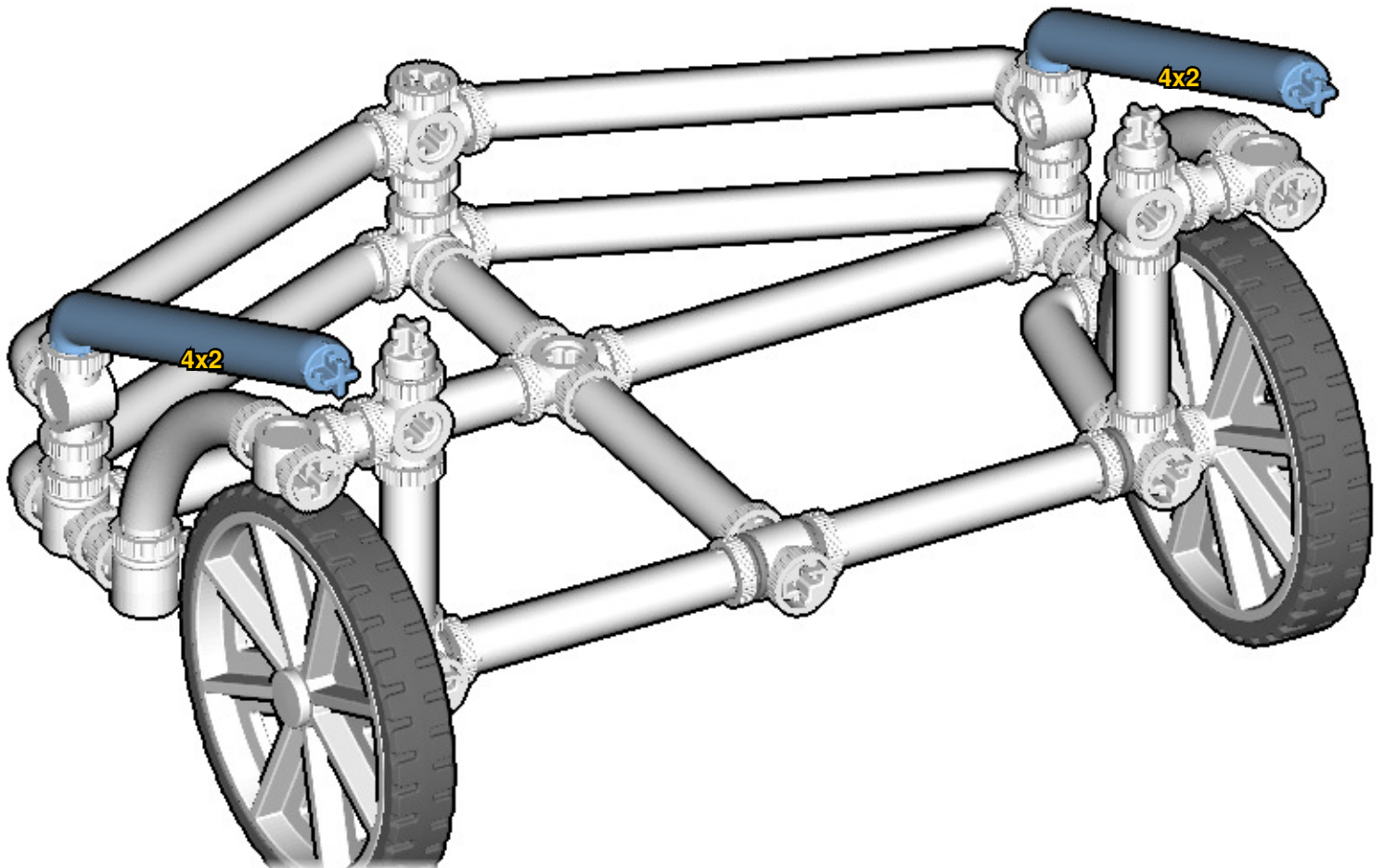


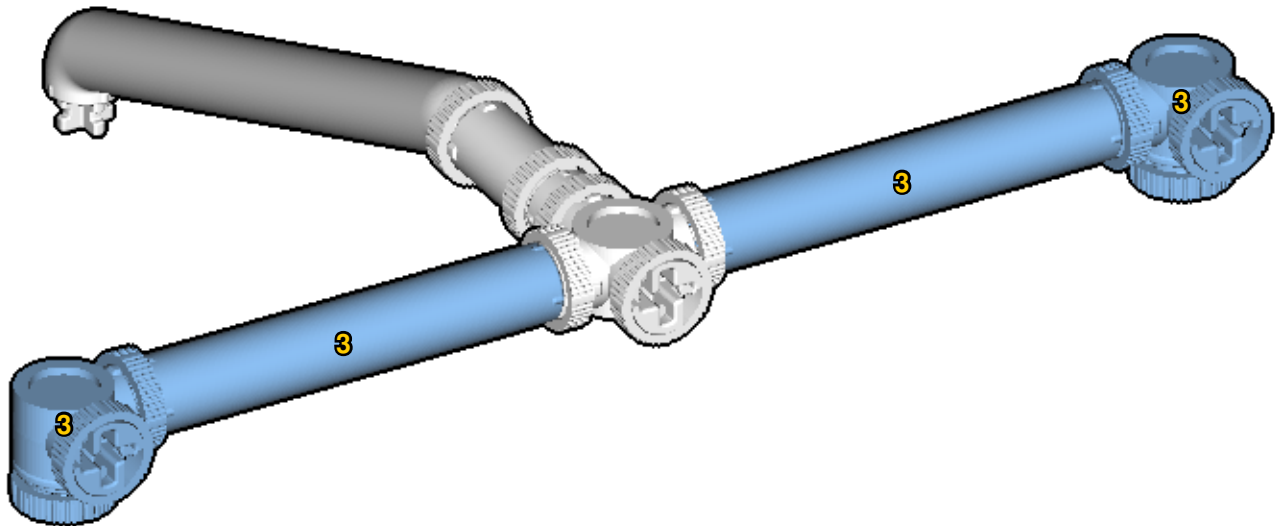
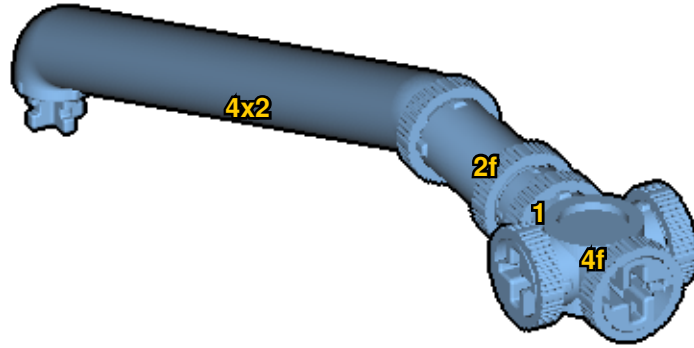


12

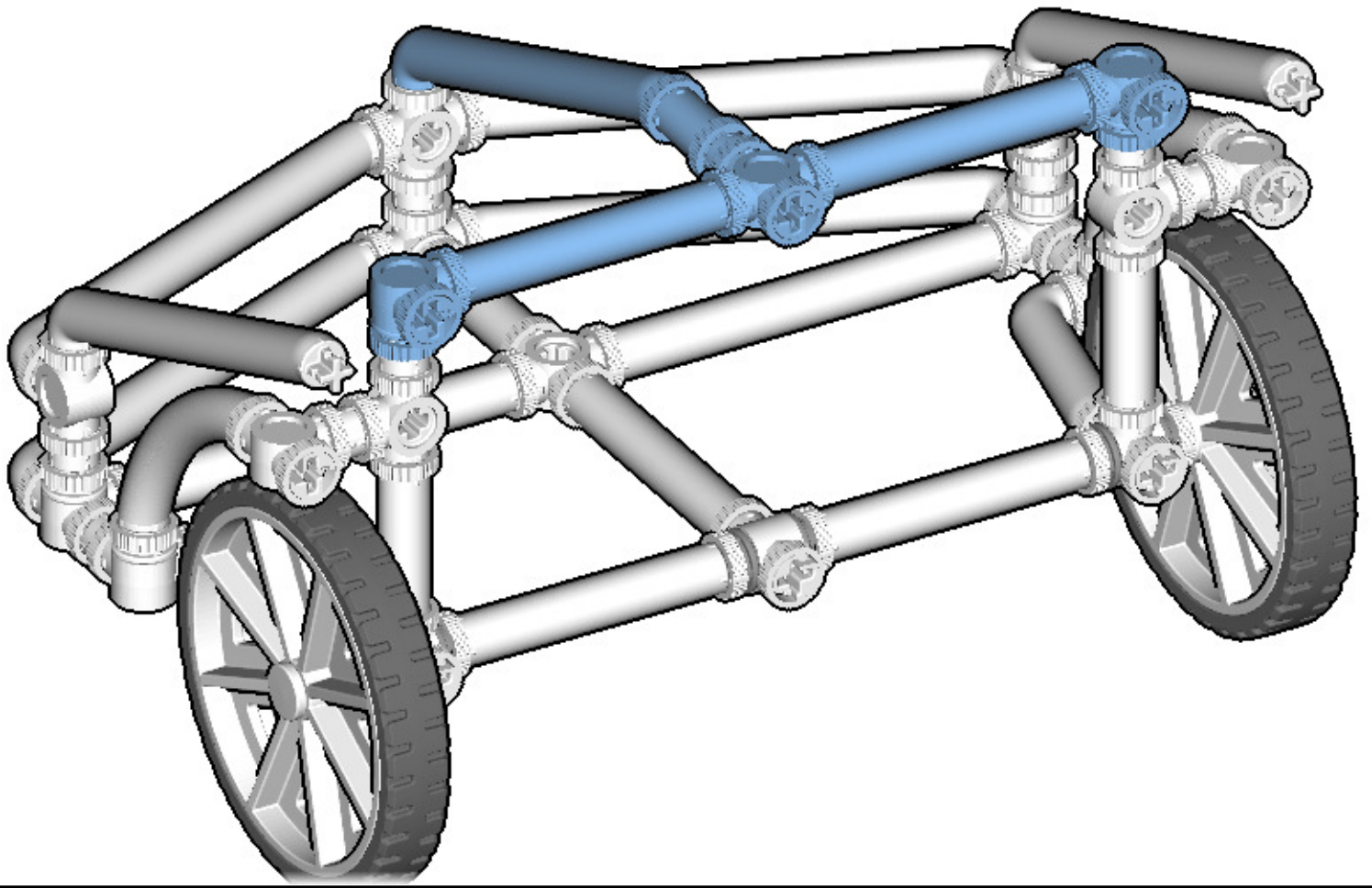


13

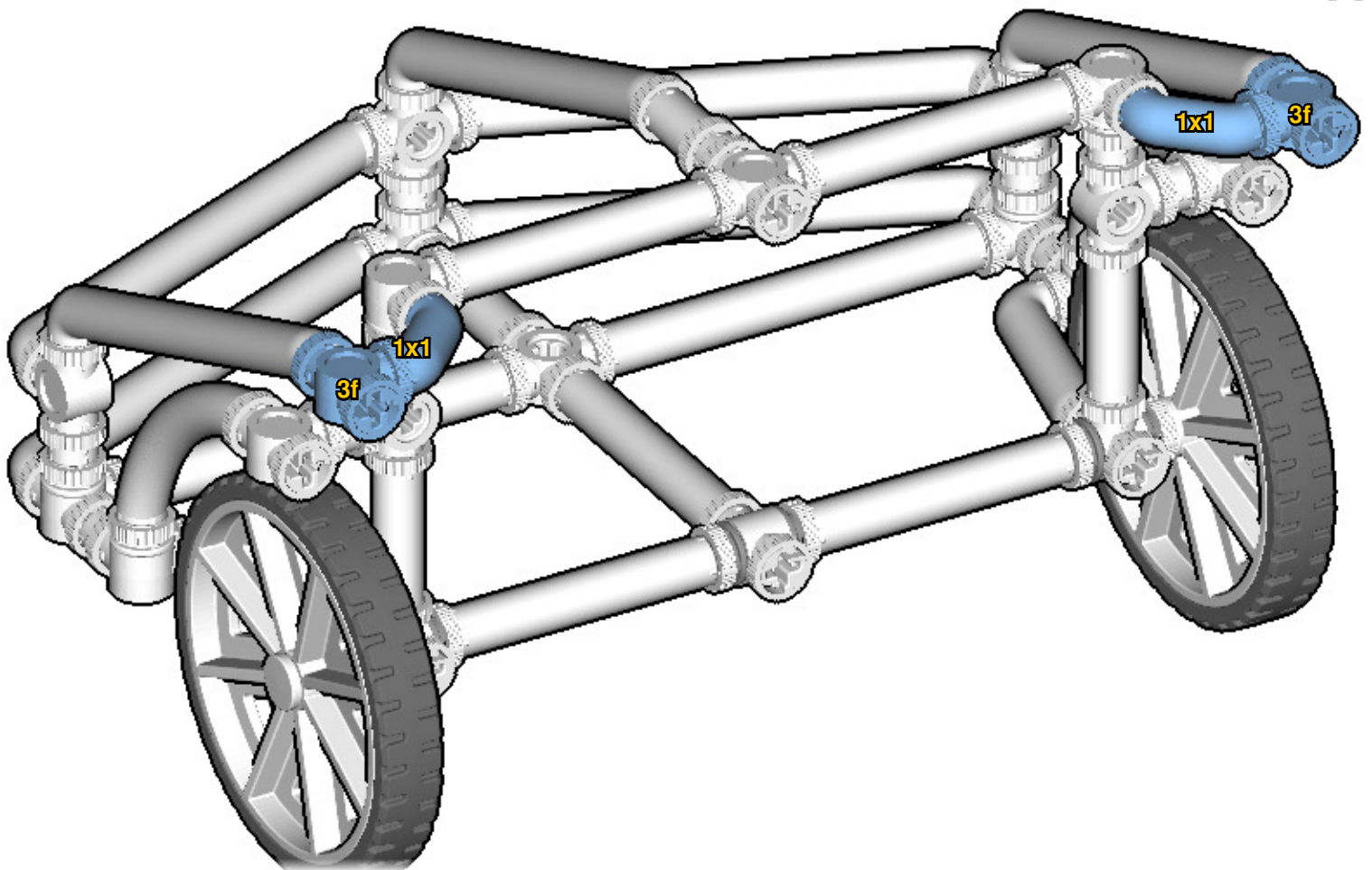


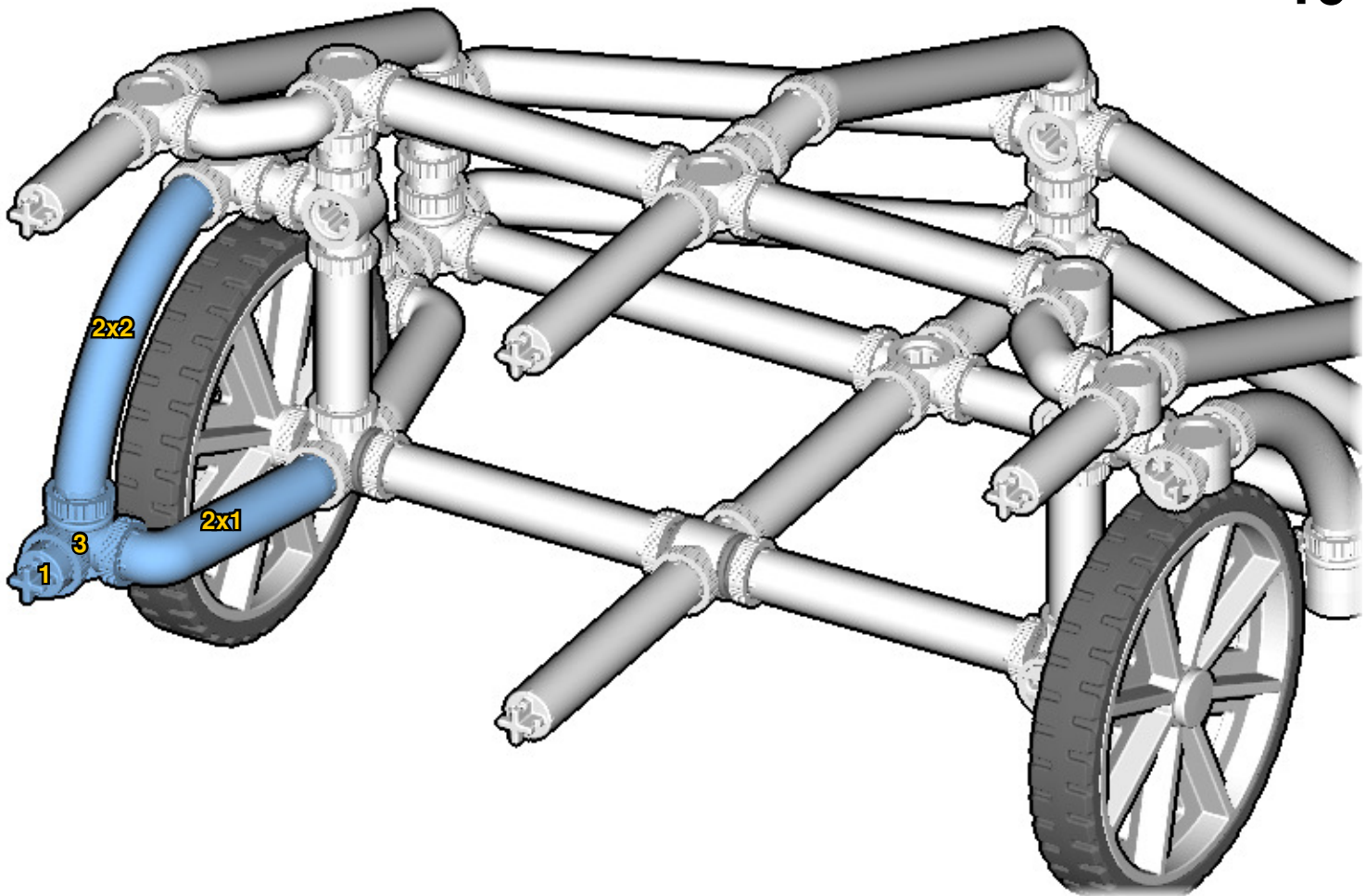
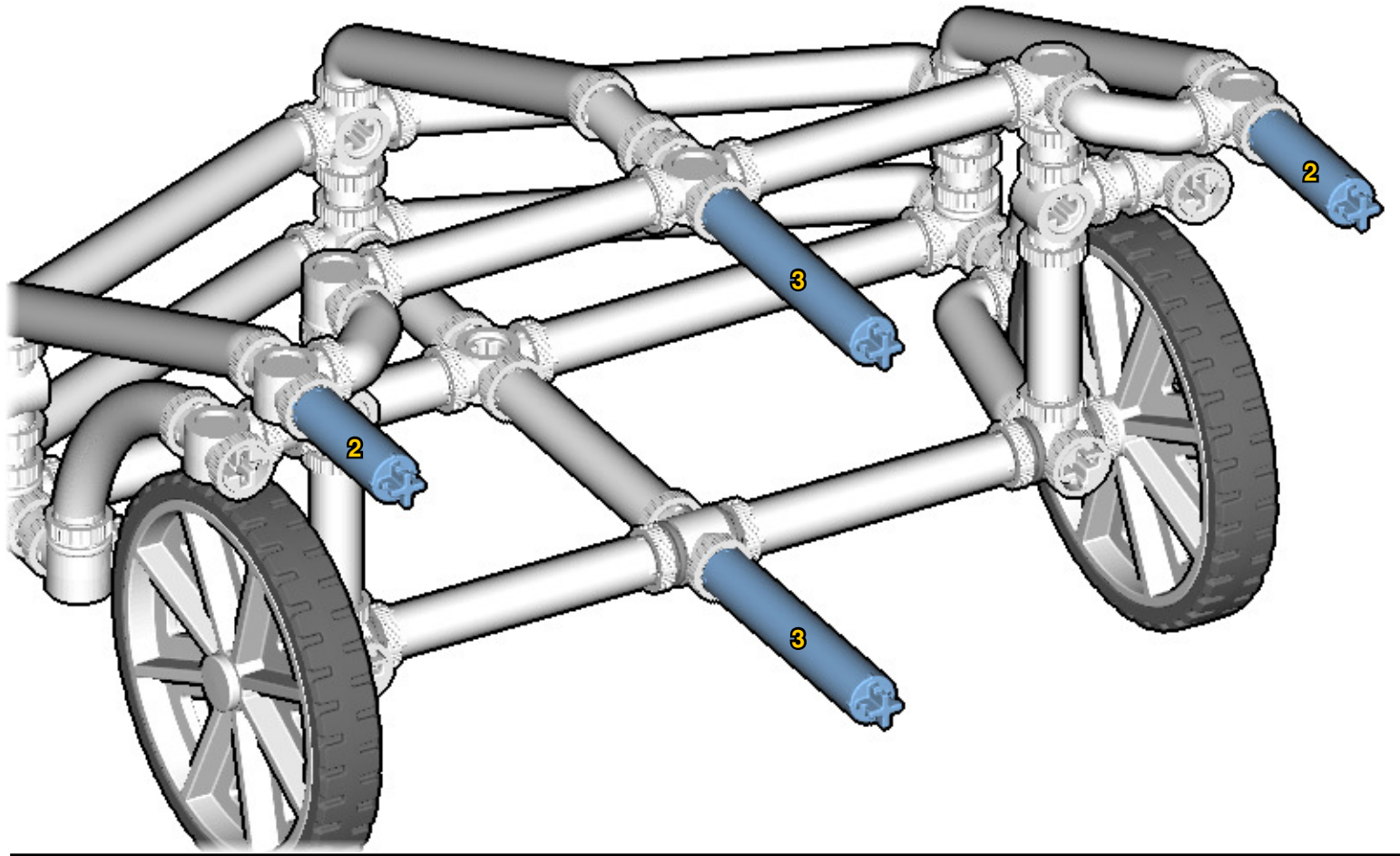


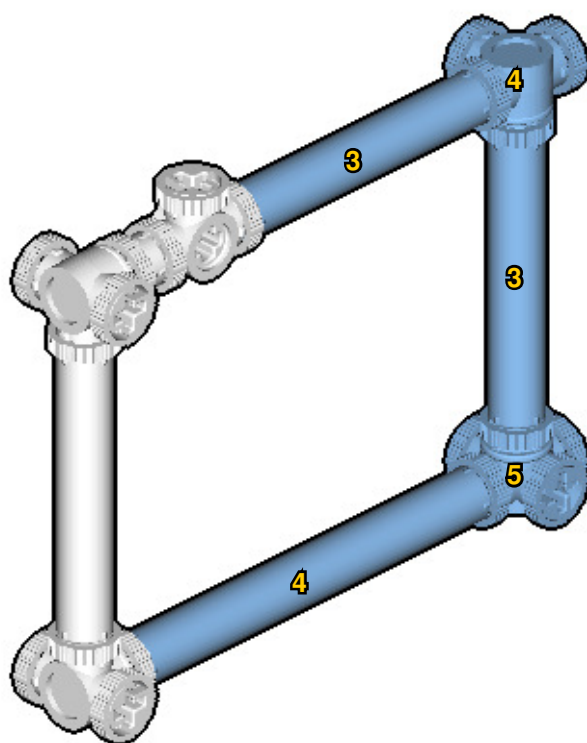
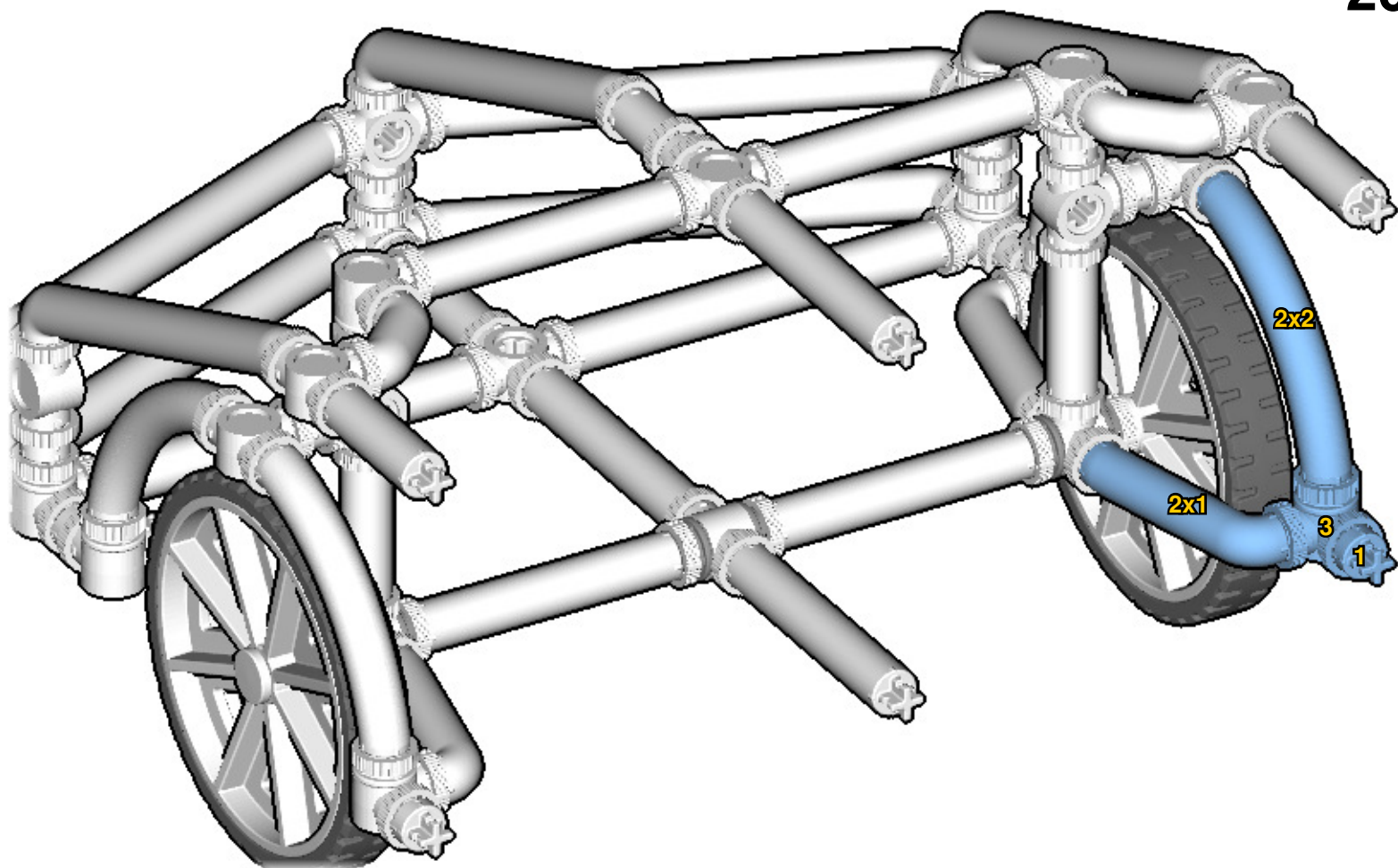
16

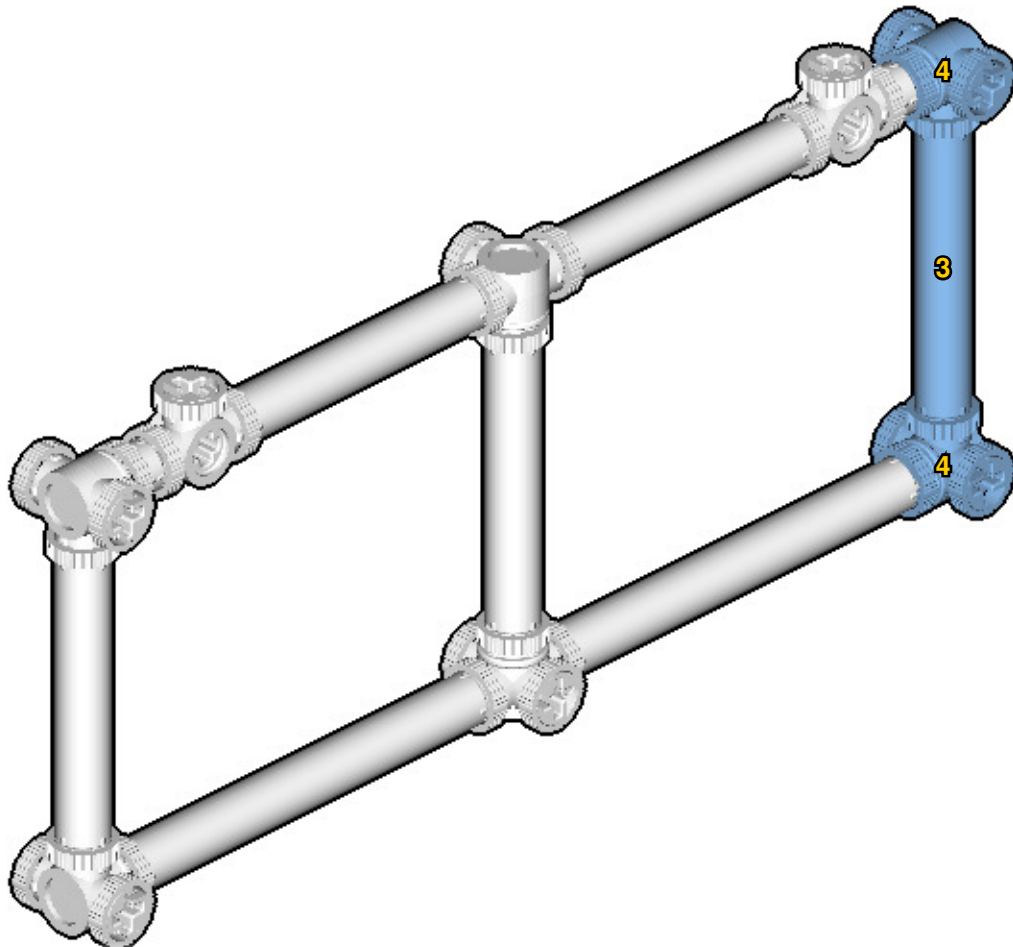
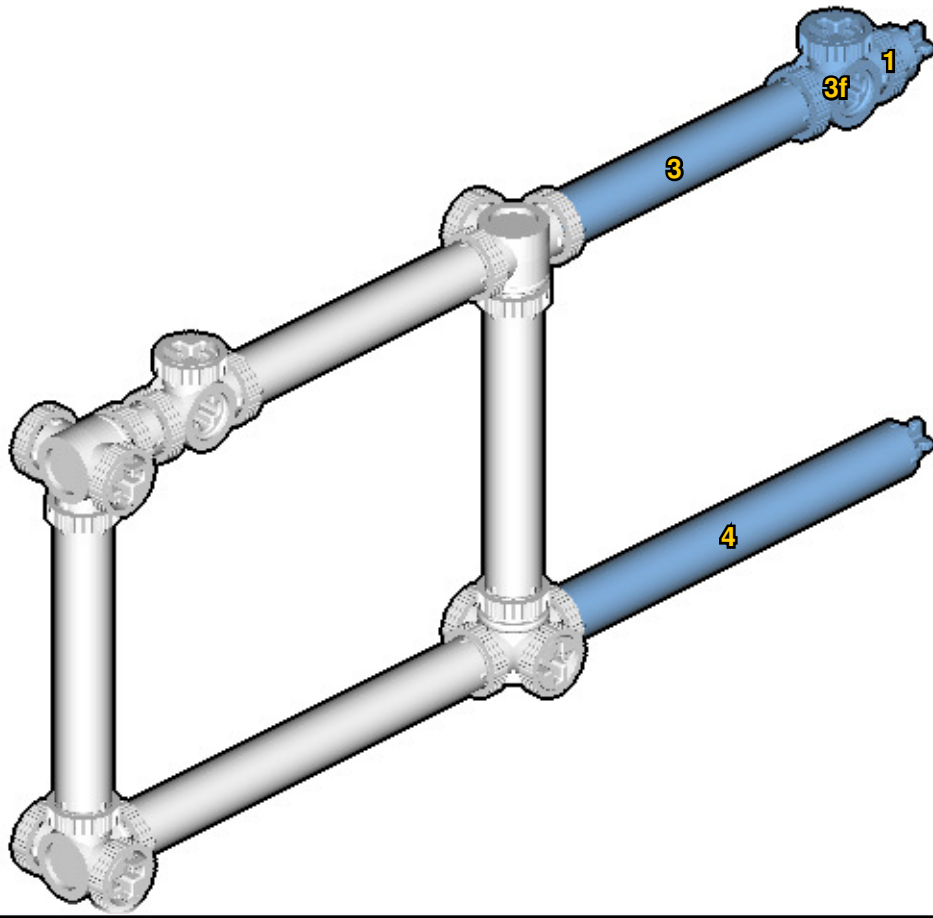


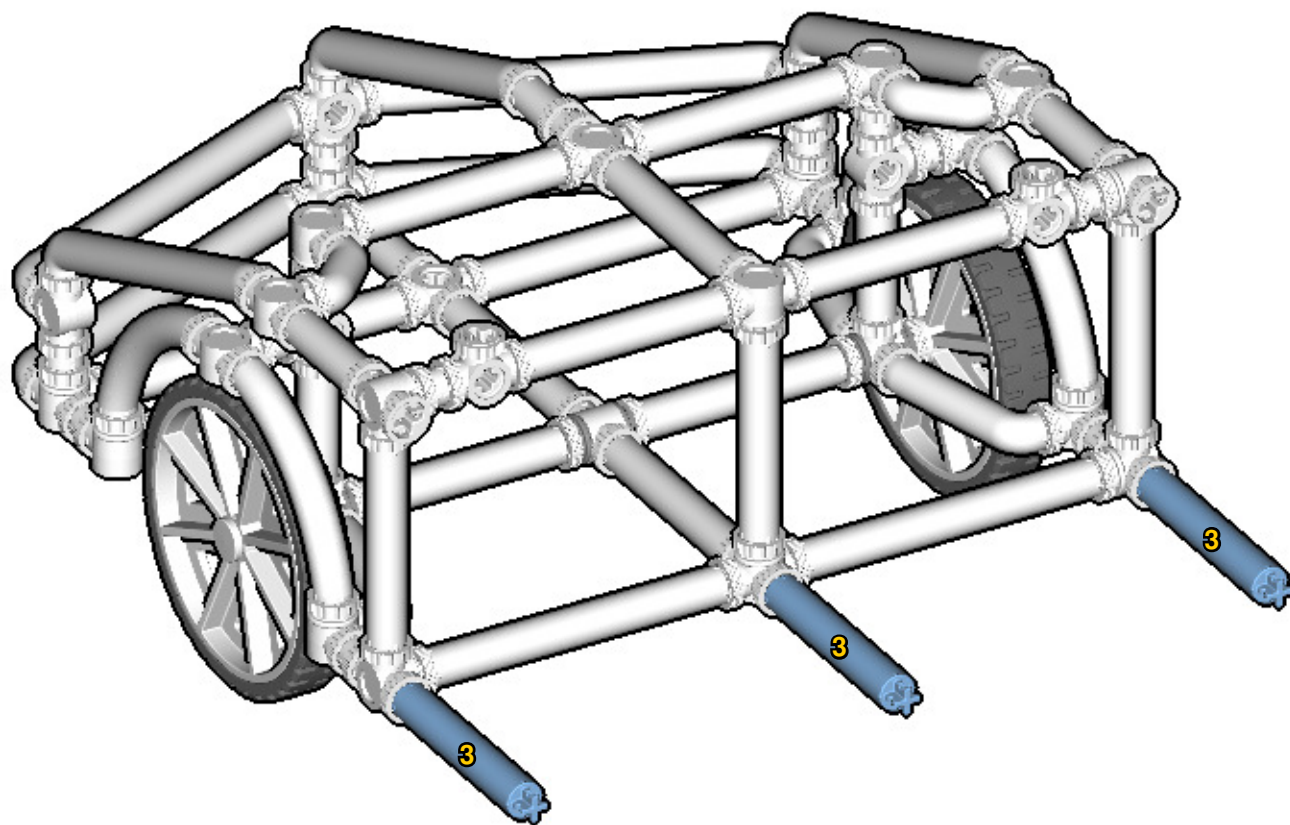
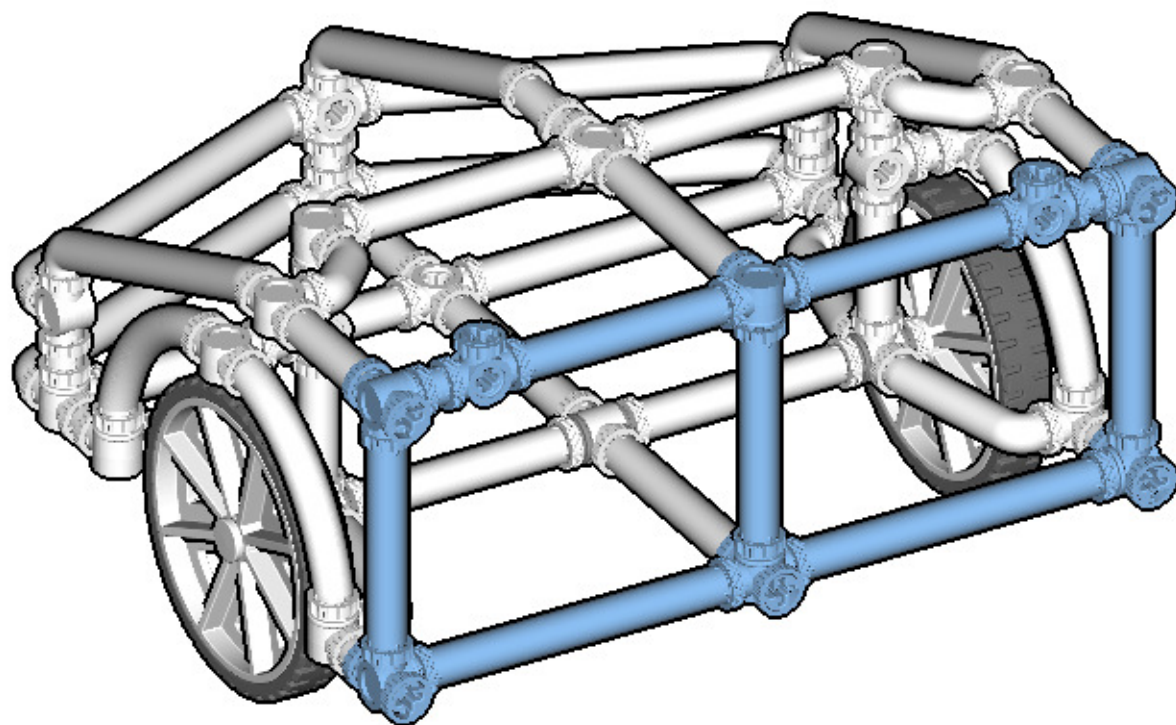
17

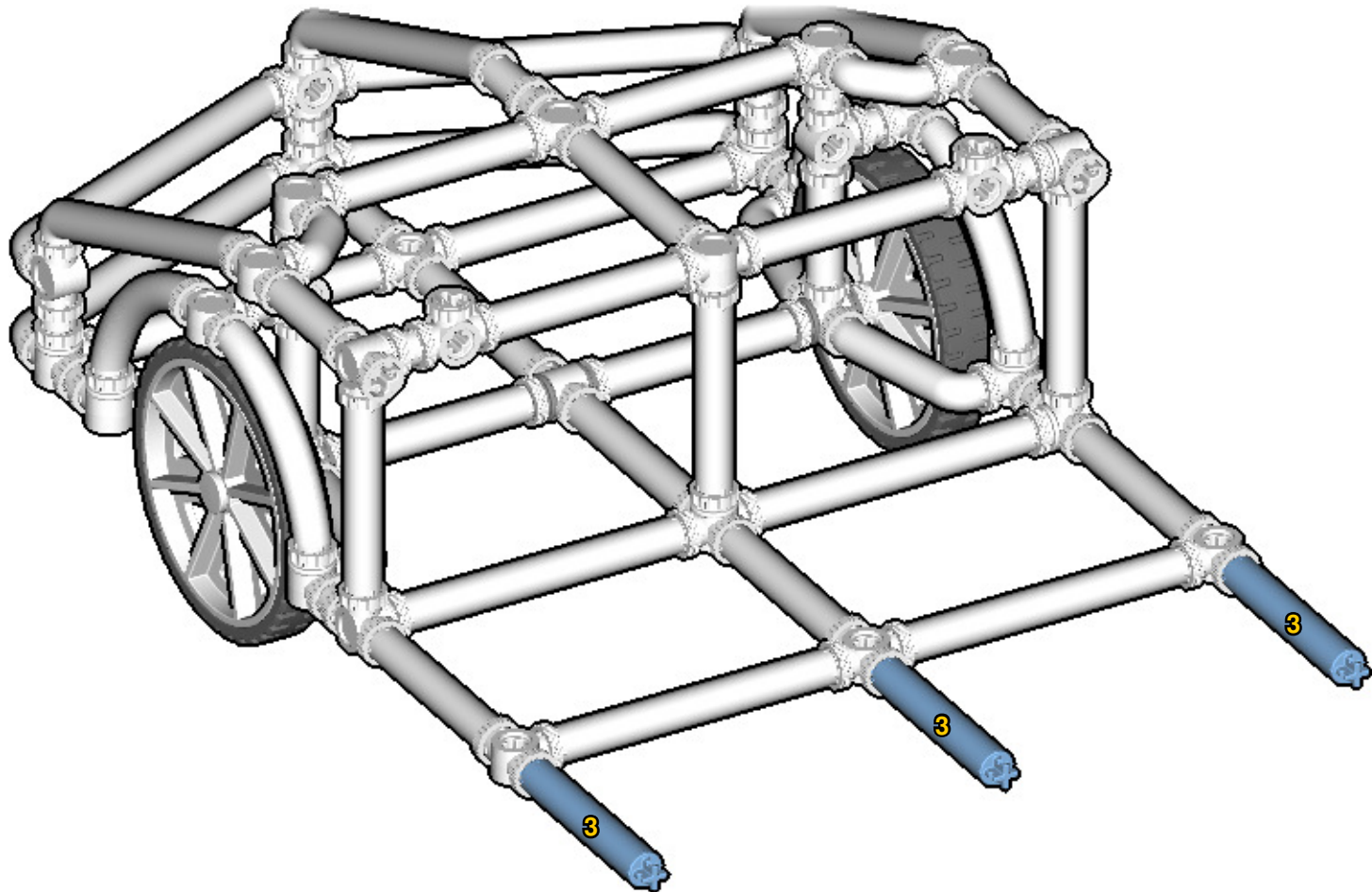
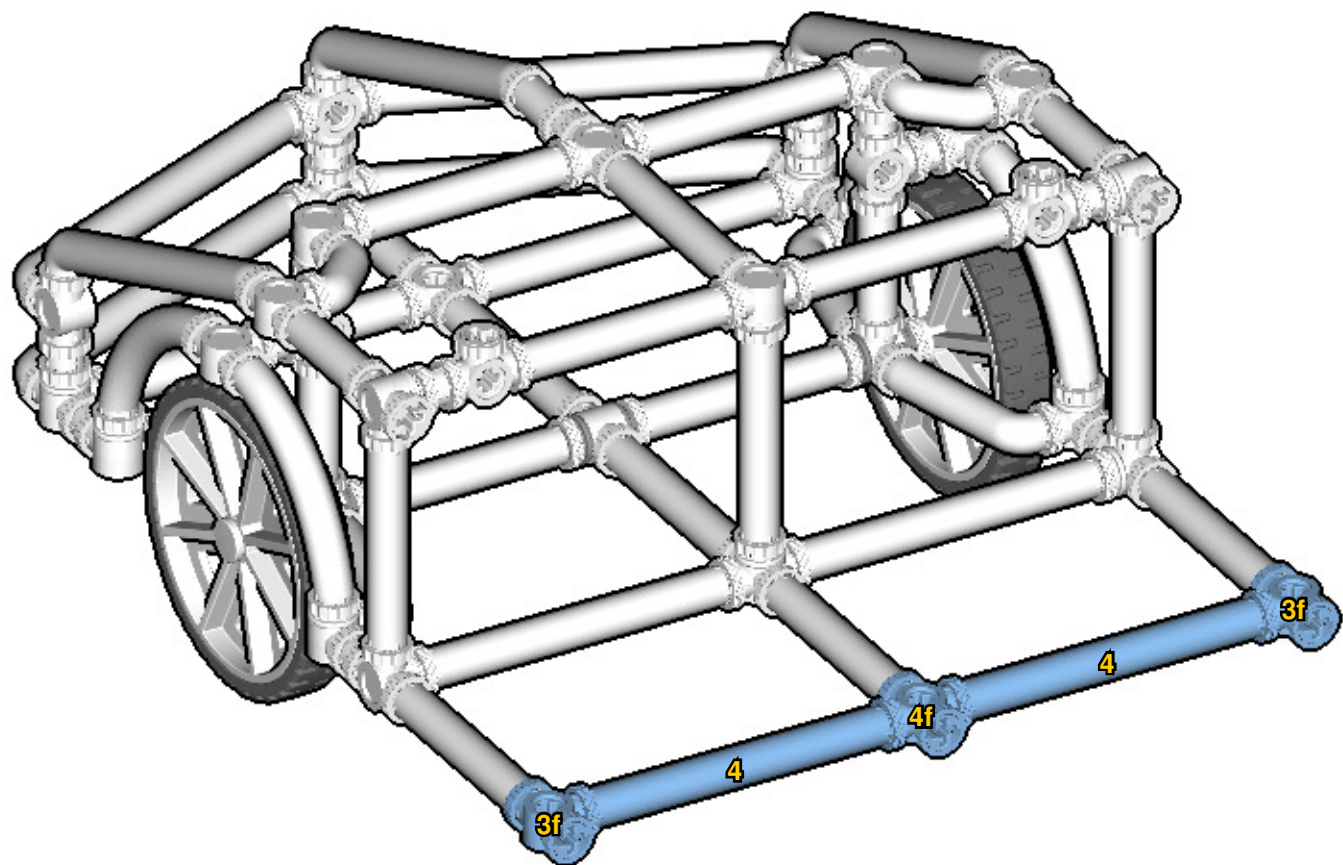


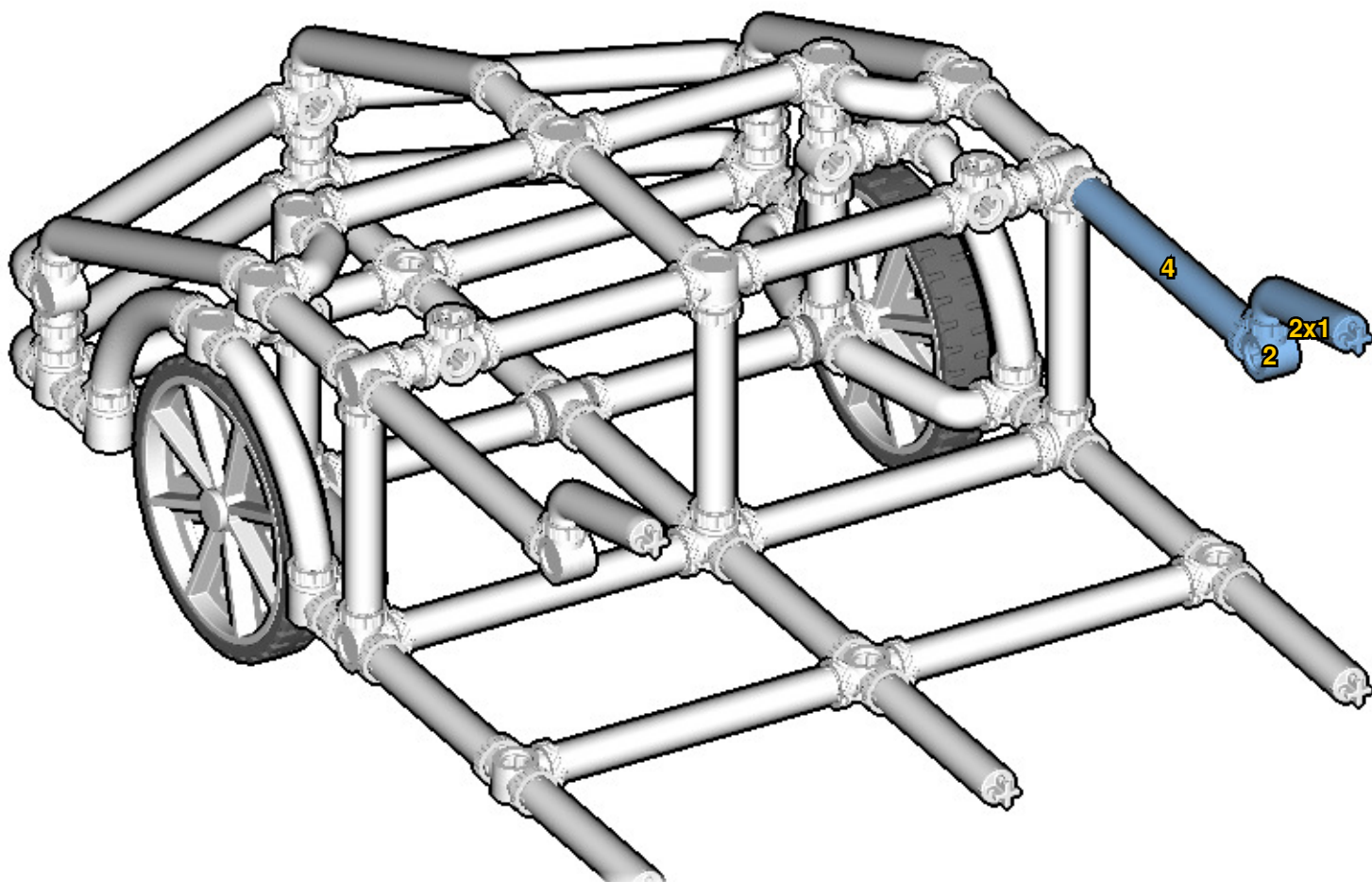
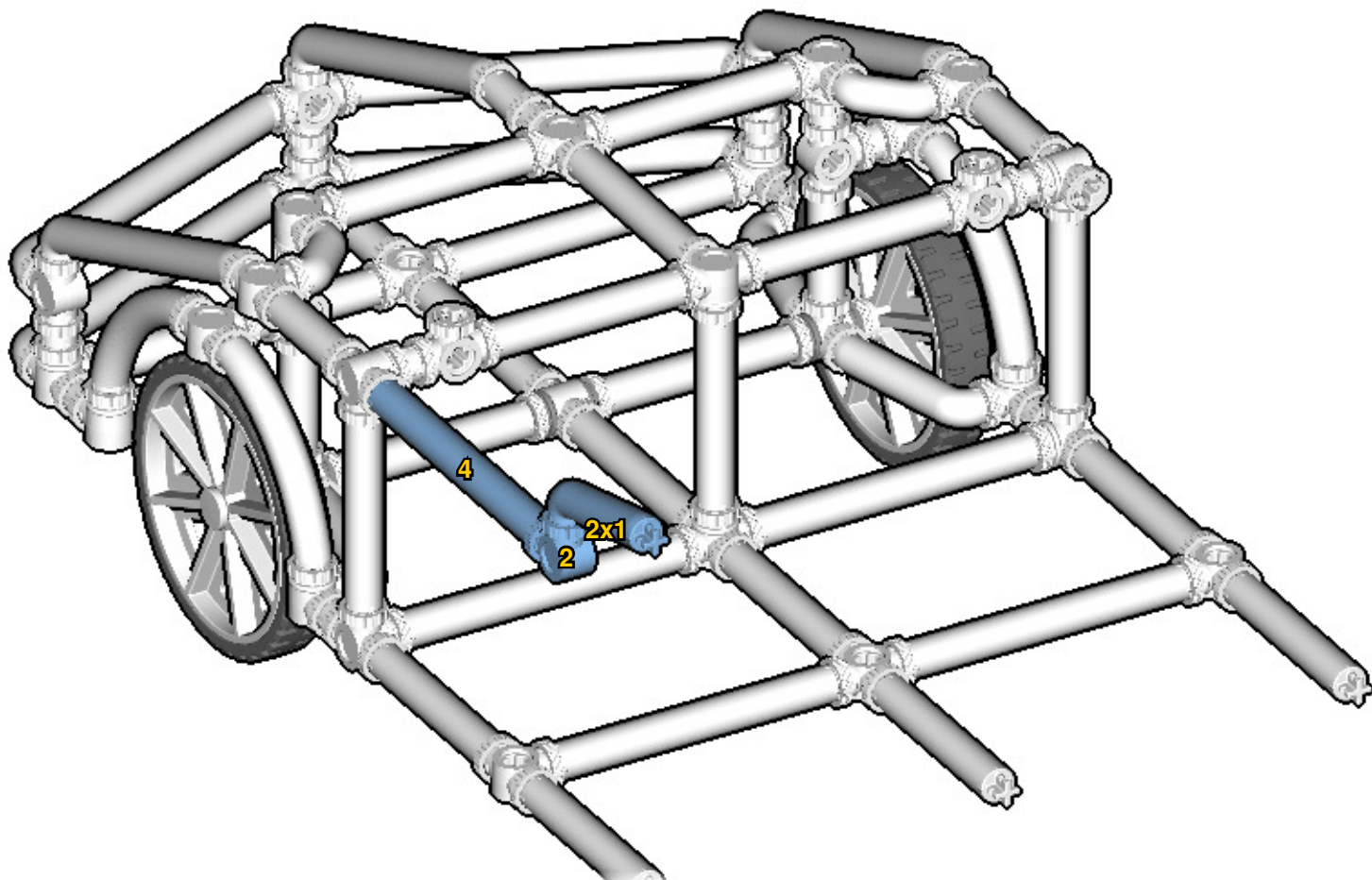




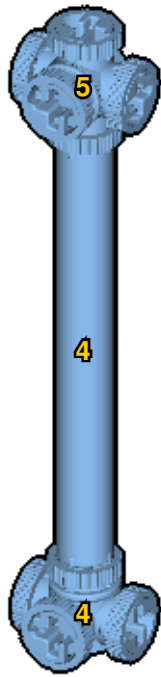




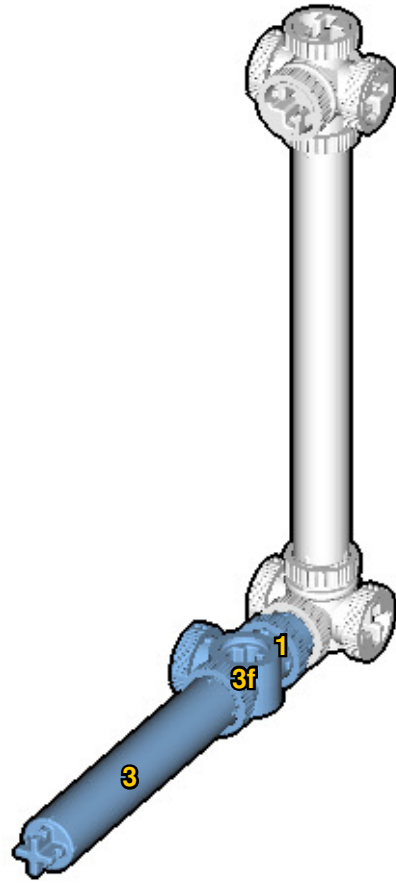




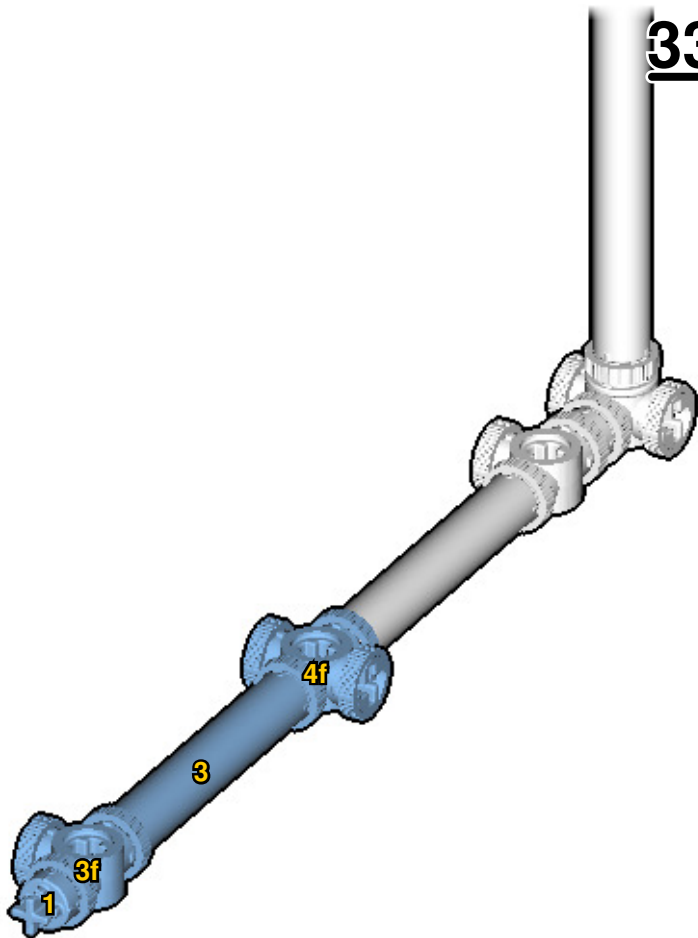
31



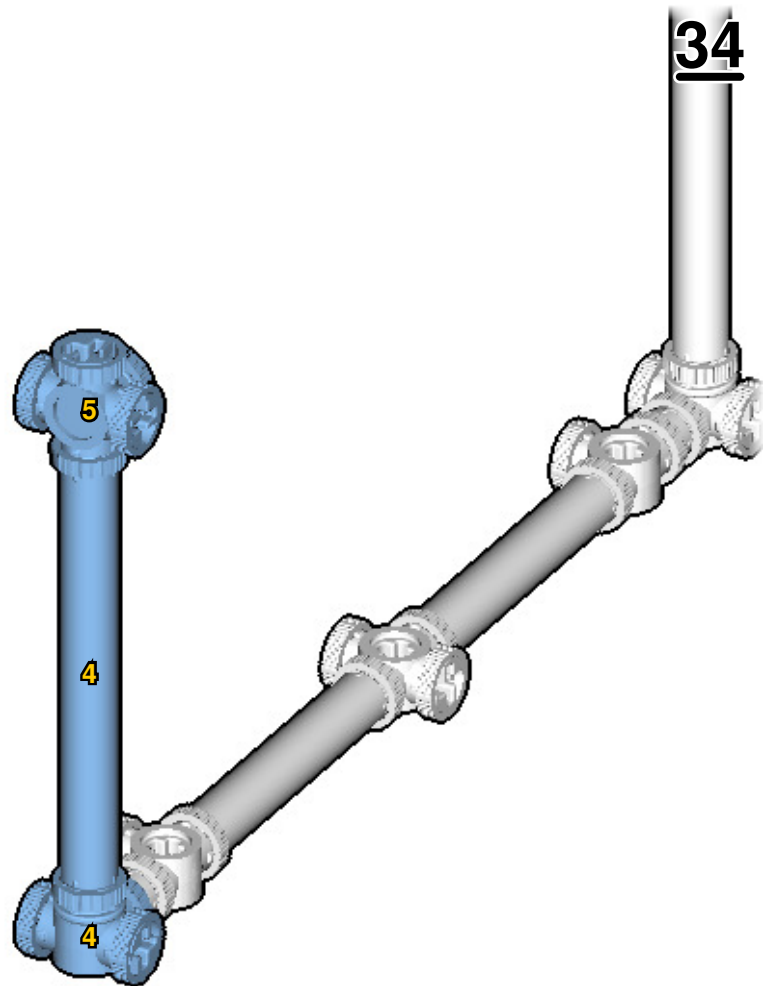
32



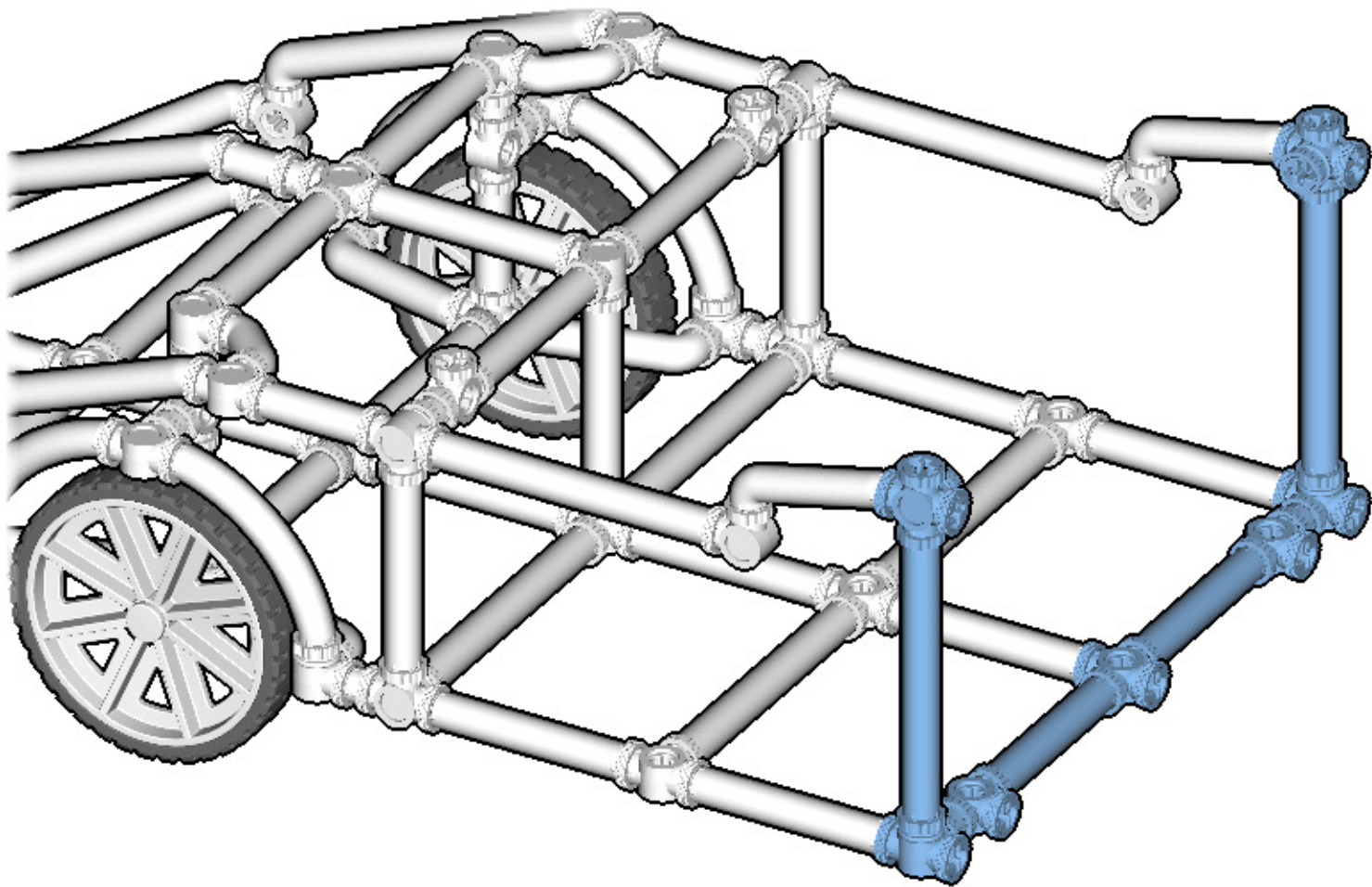
33



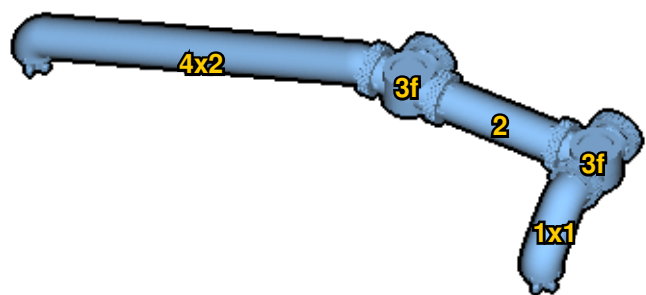
34



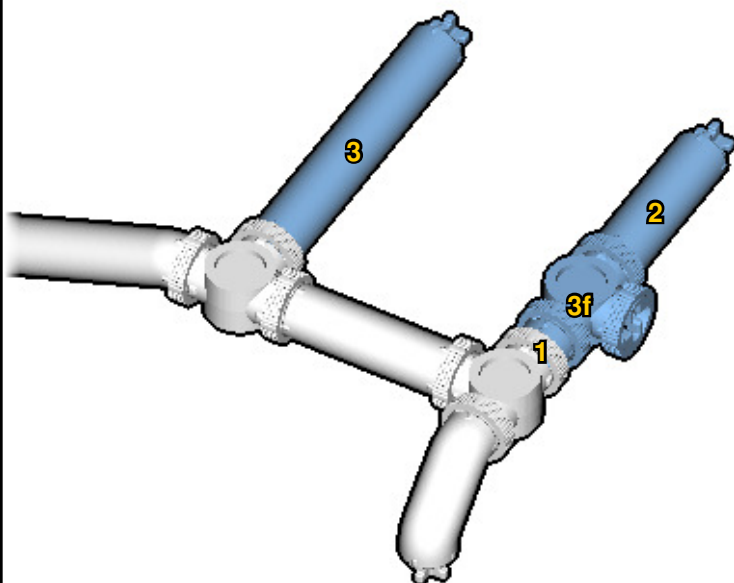
35



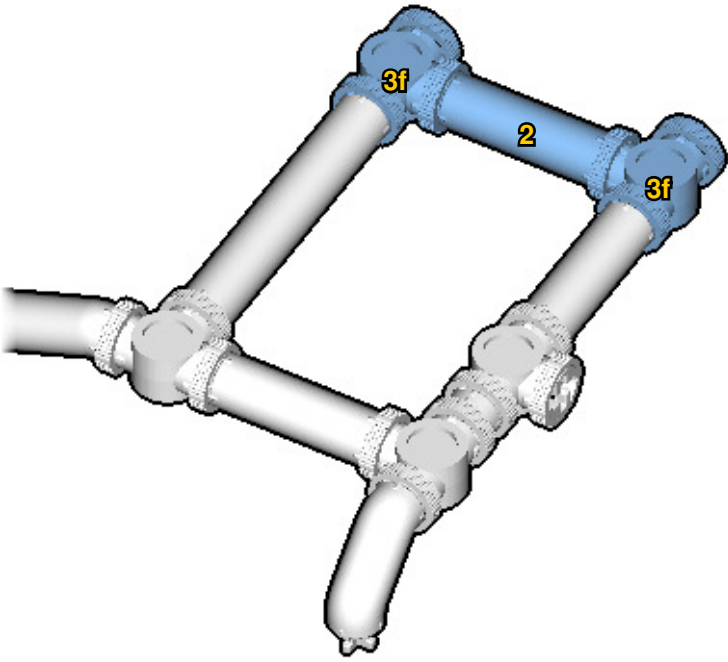
36



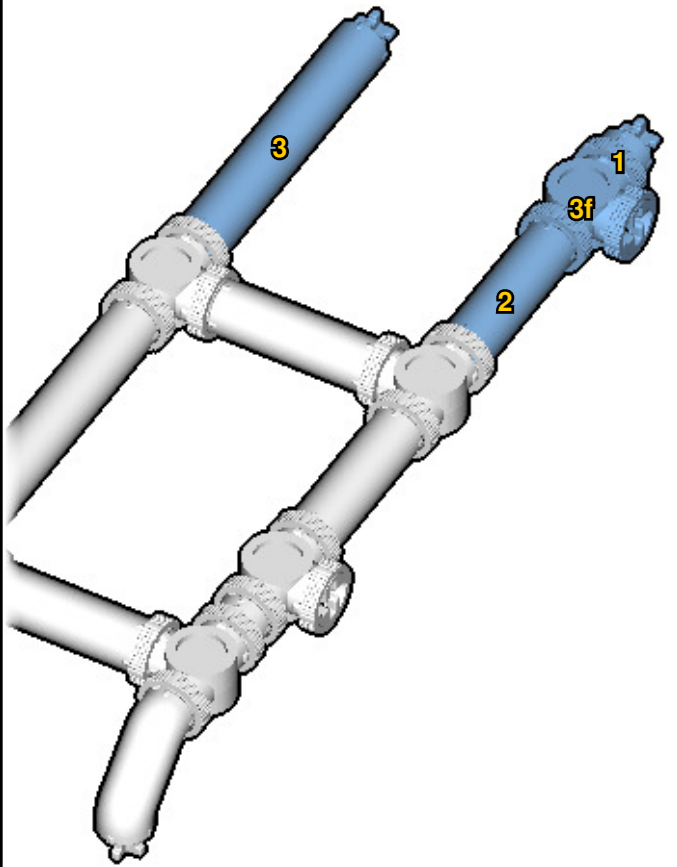
37



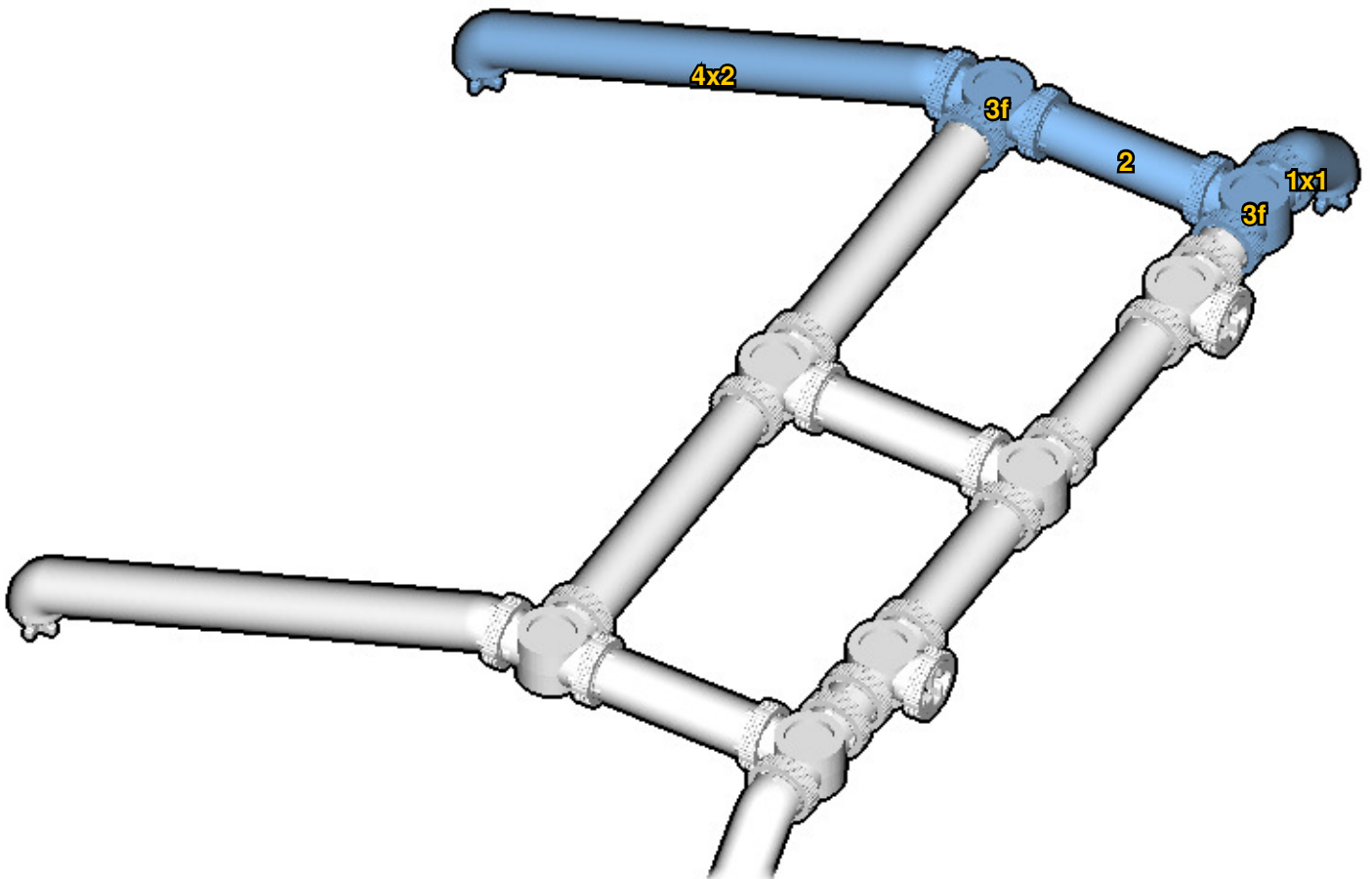
38

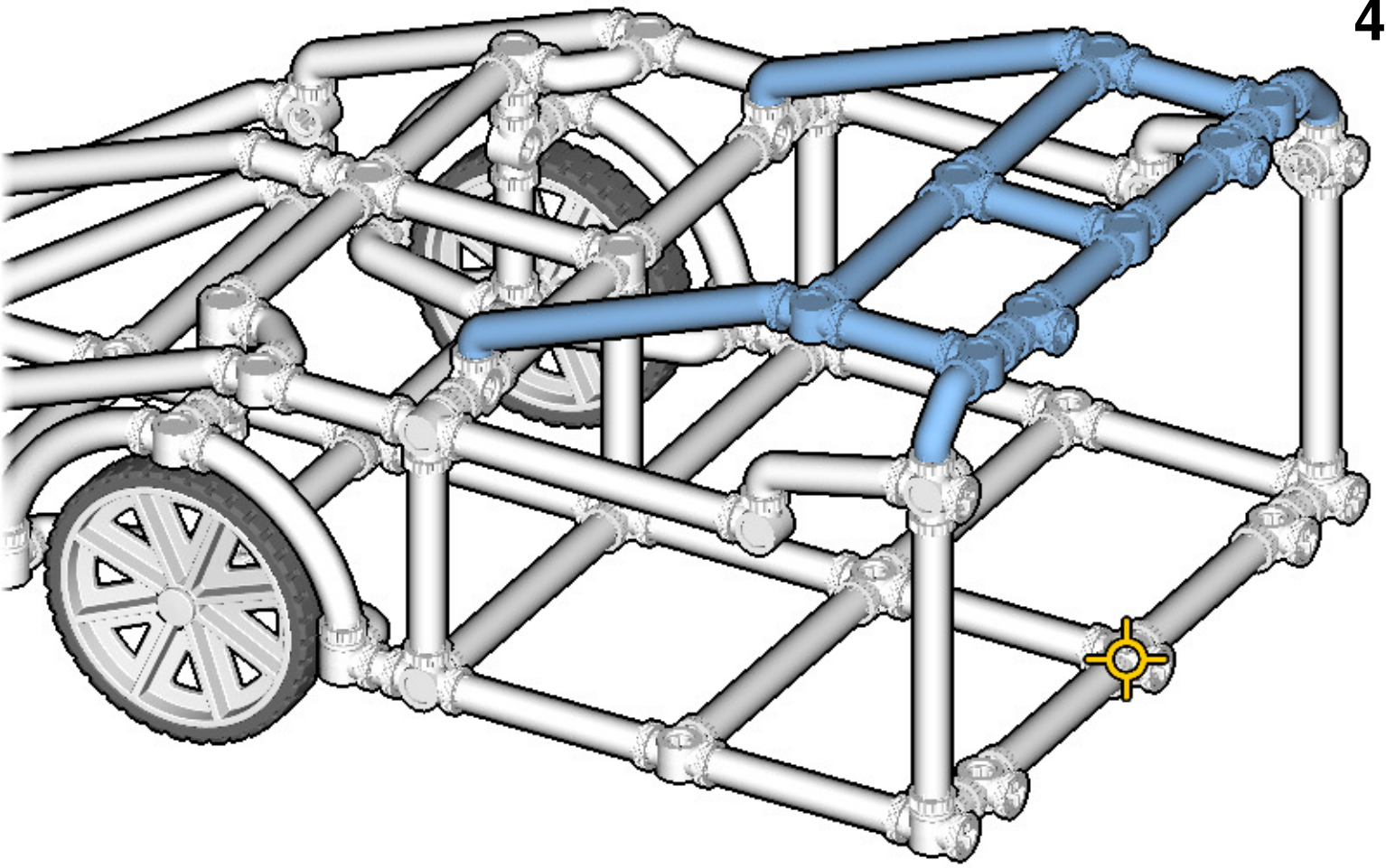


39

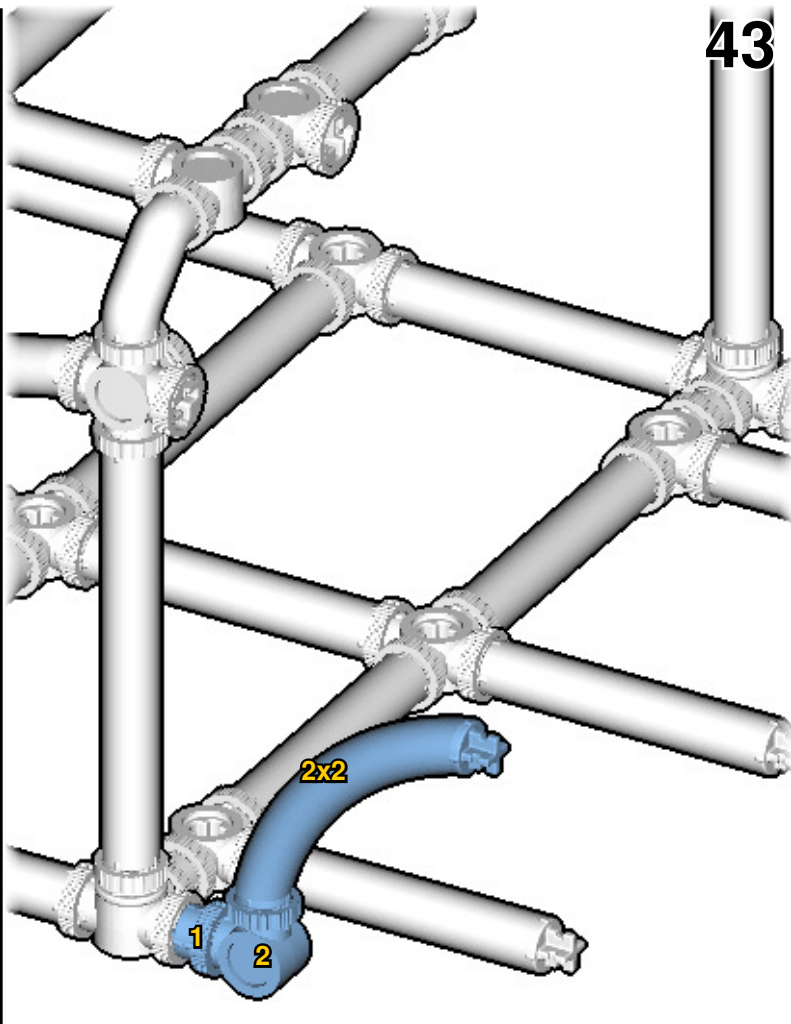
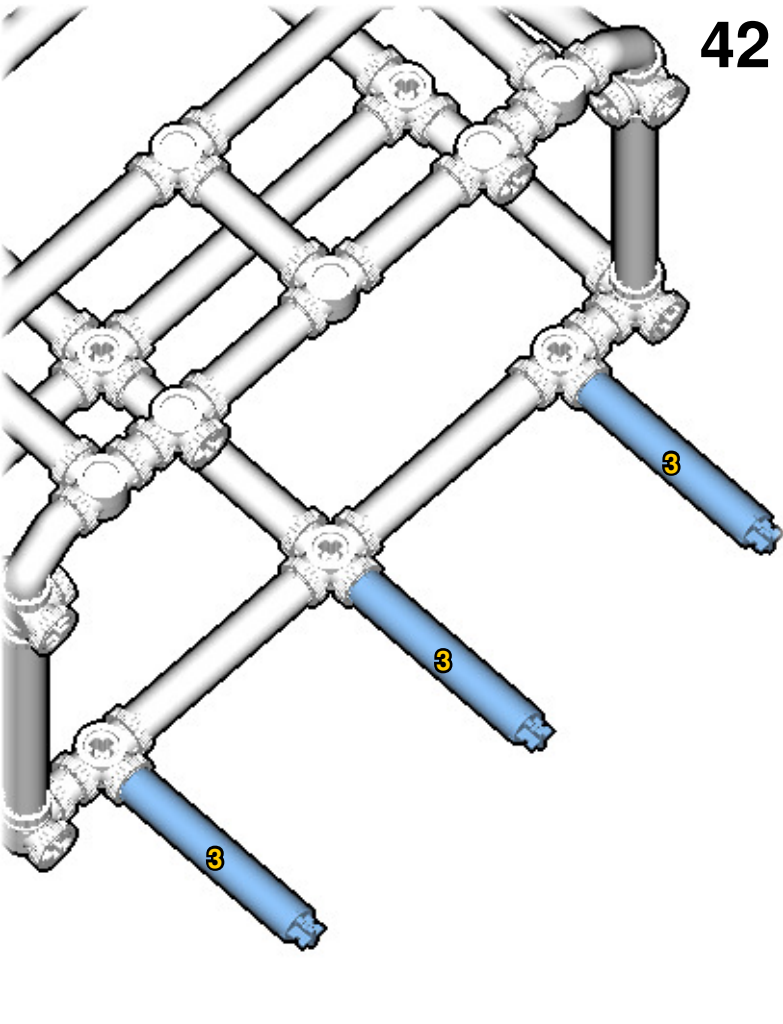


40

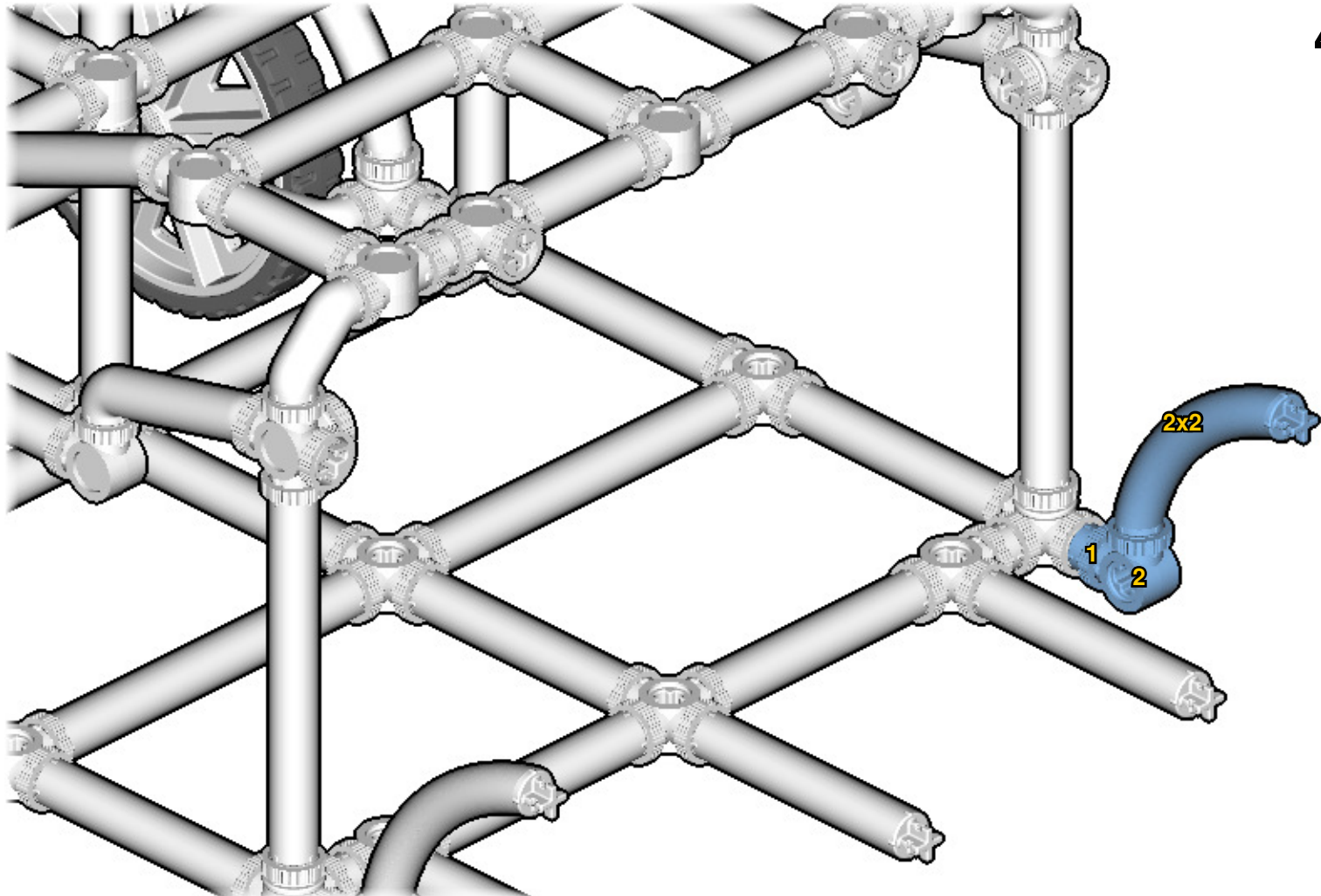




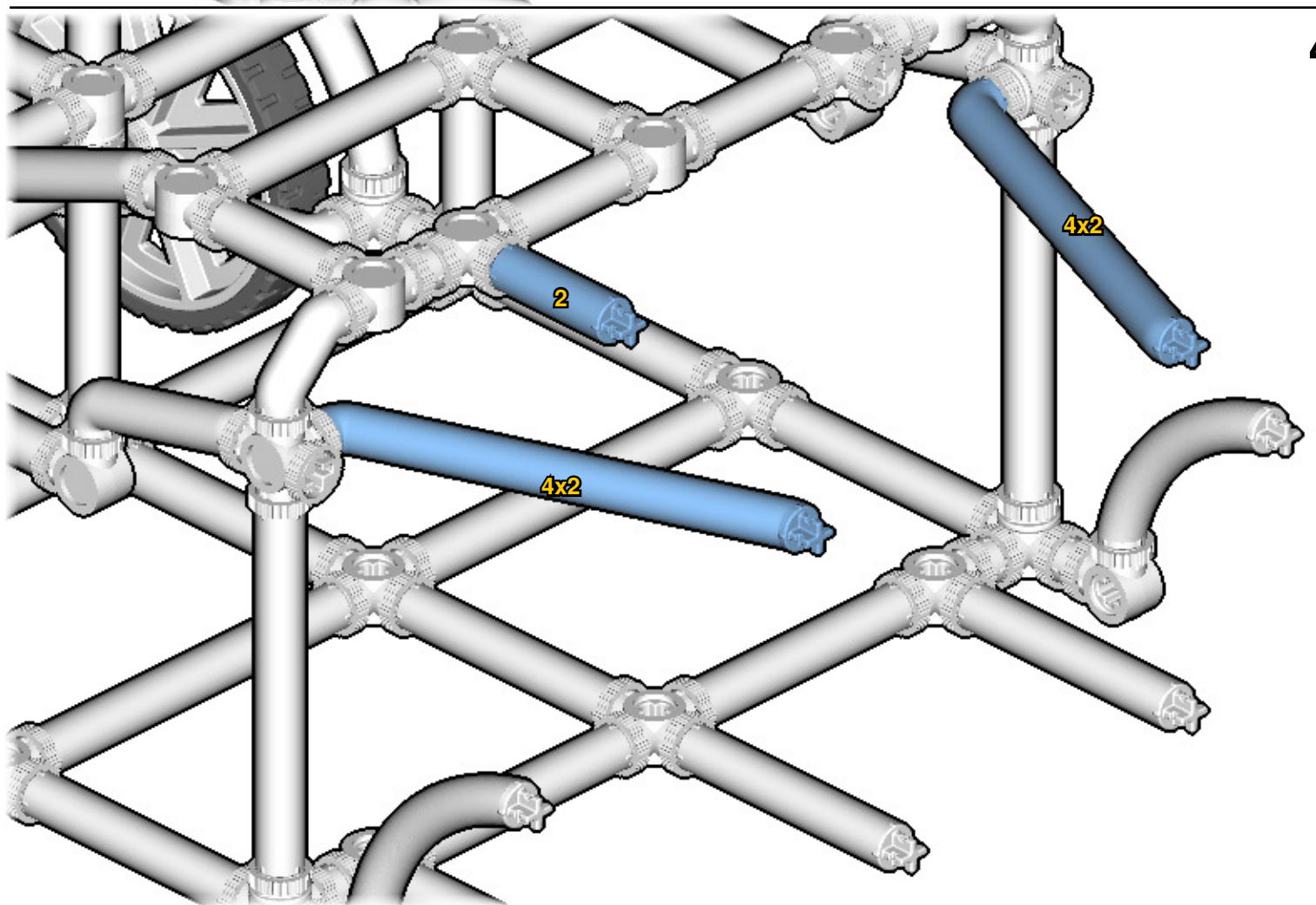
✦ : The next frame is centered on this piece.



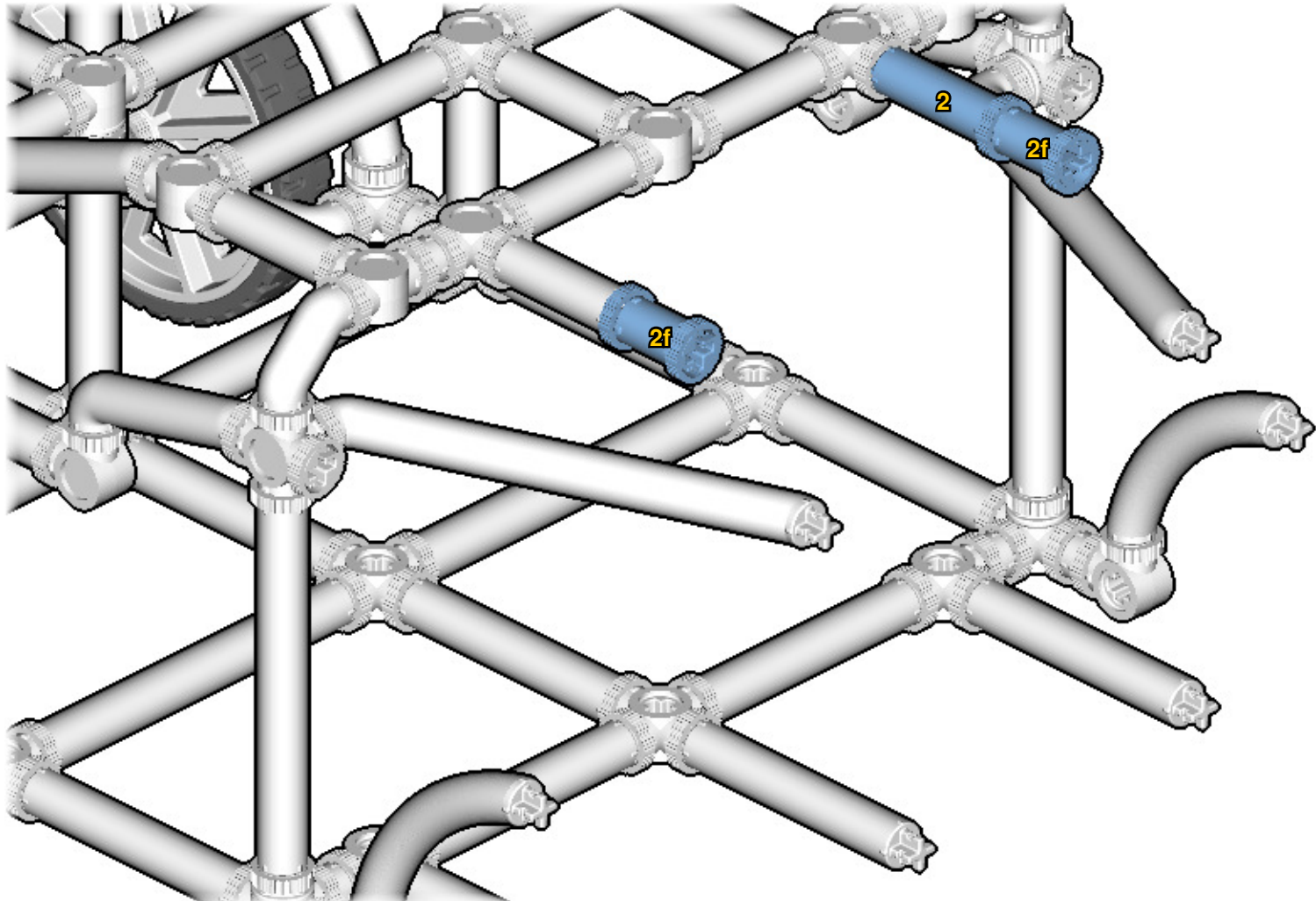
44



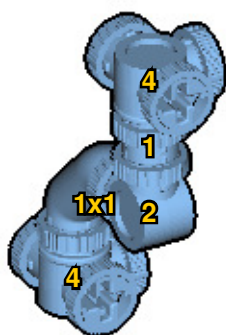
45



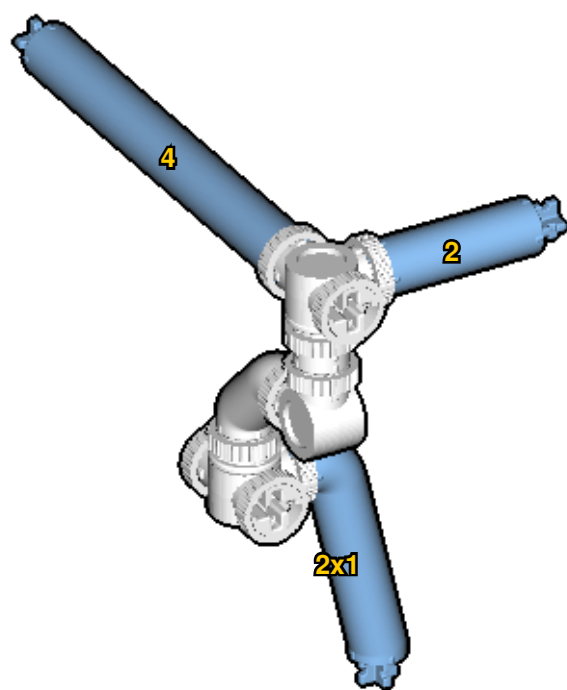
46

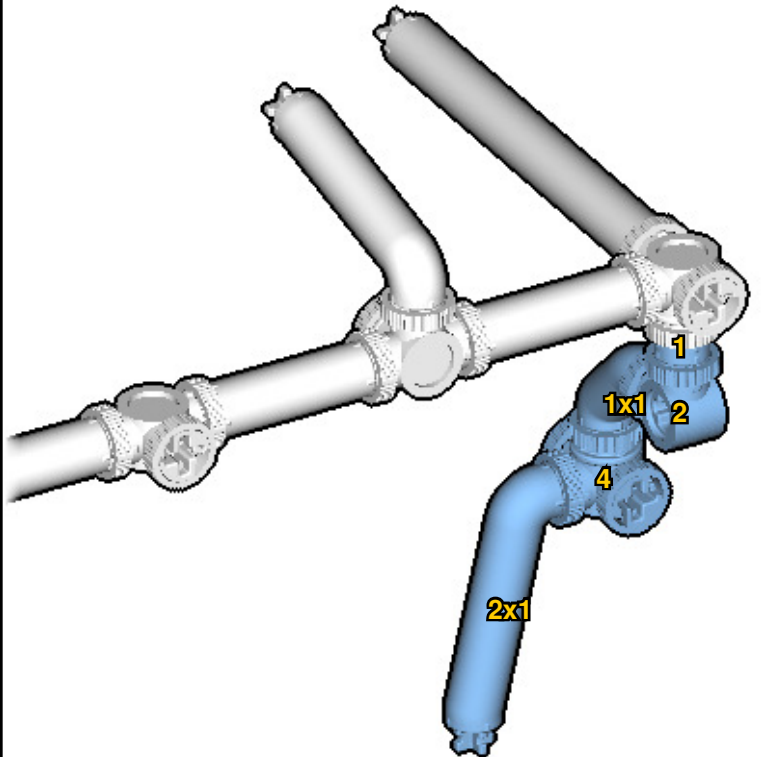
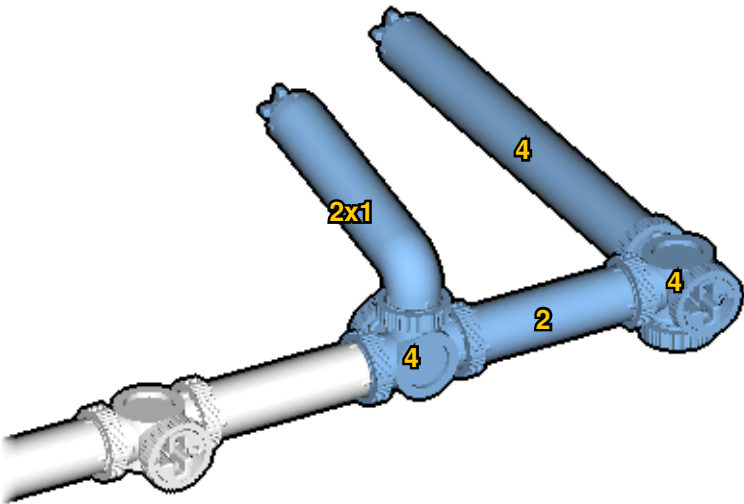
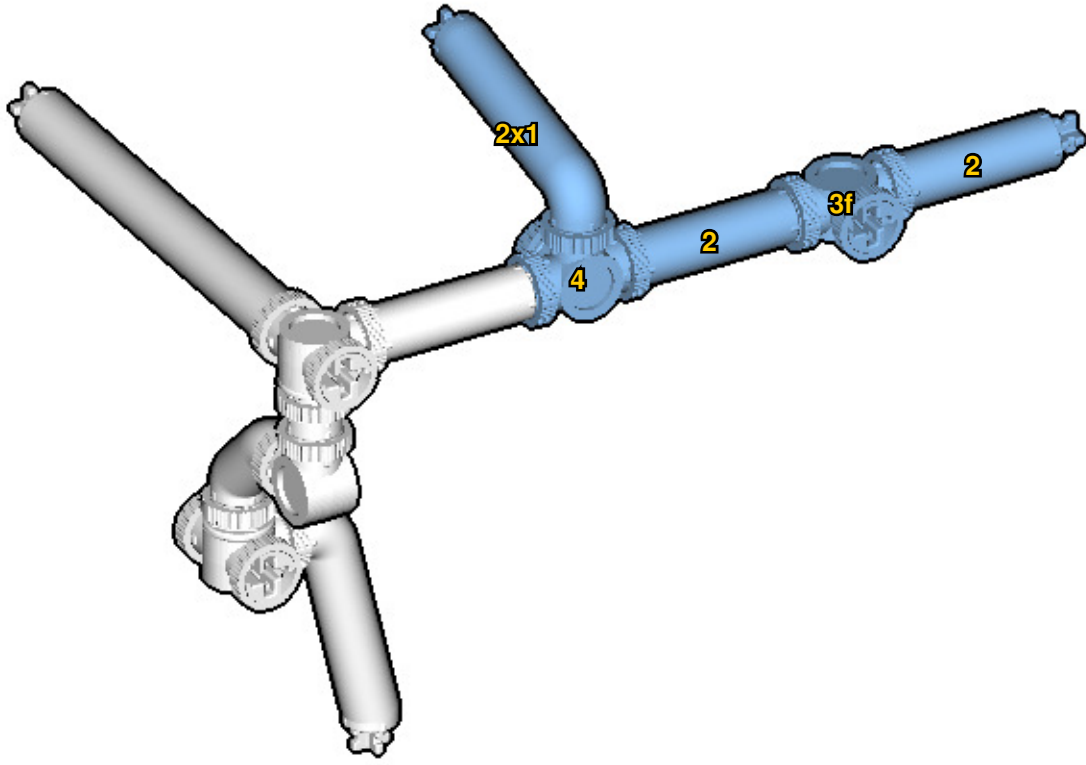


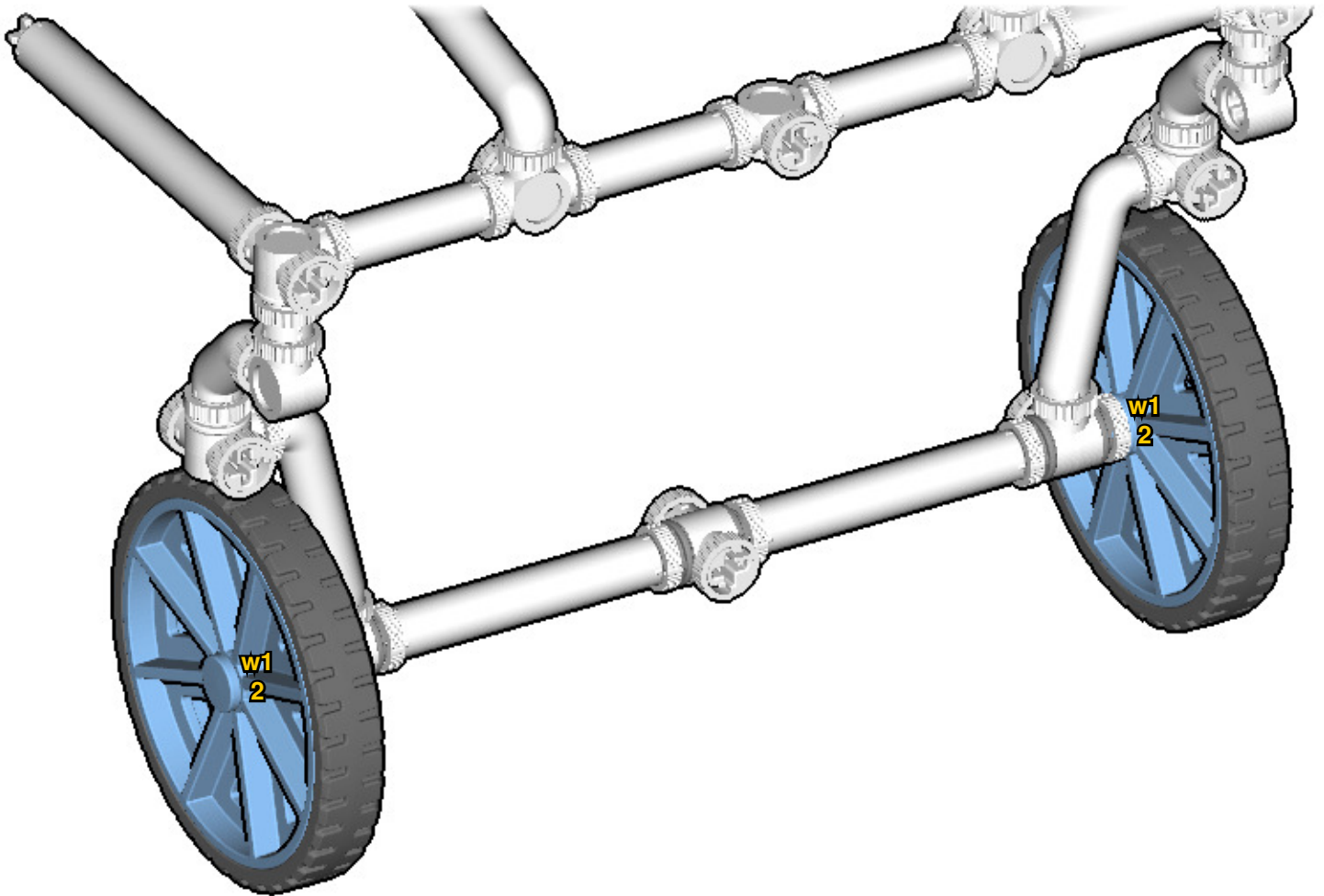
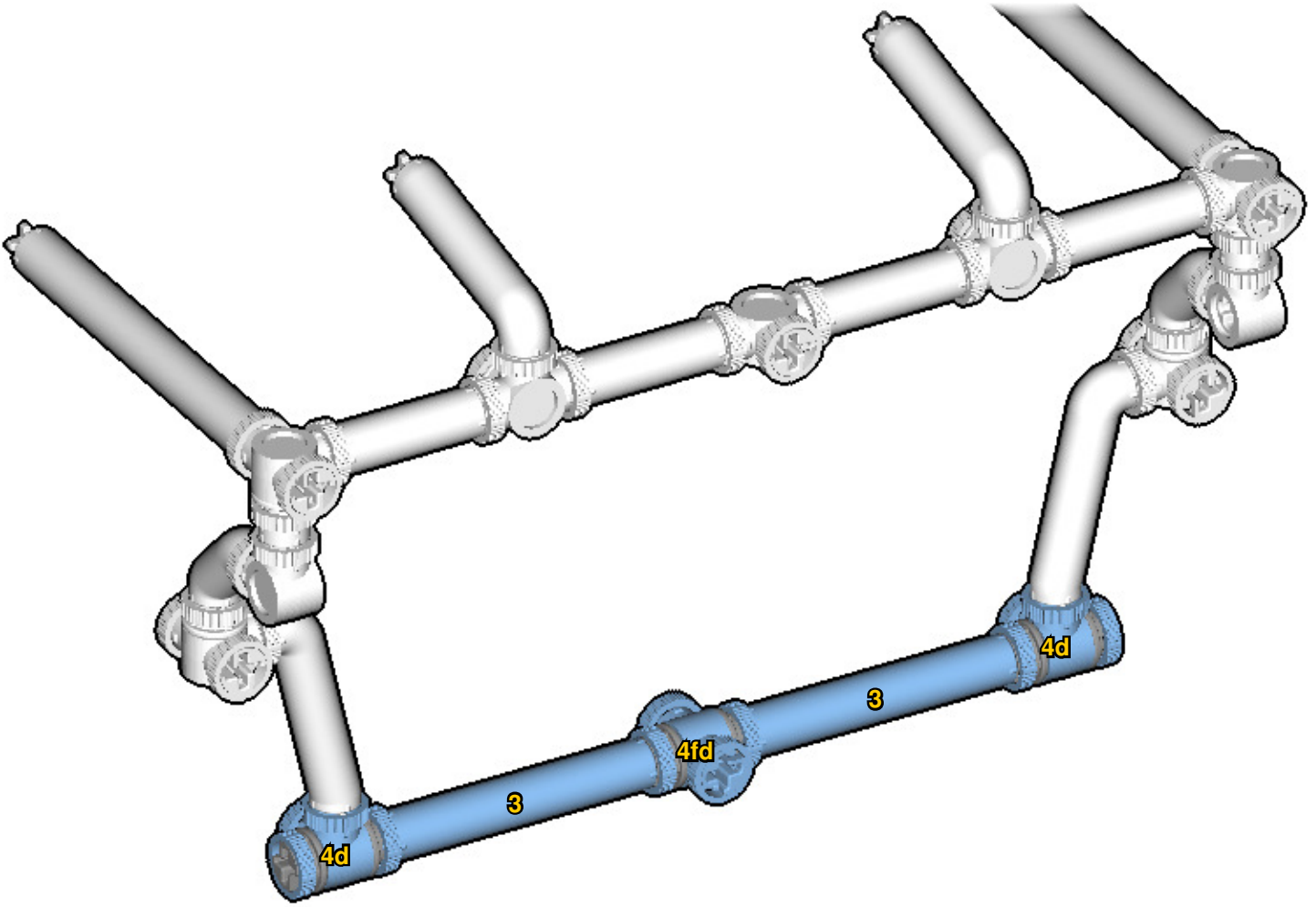
47

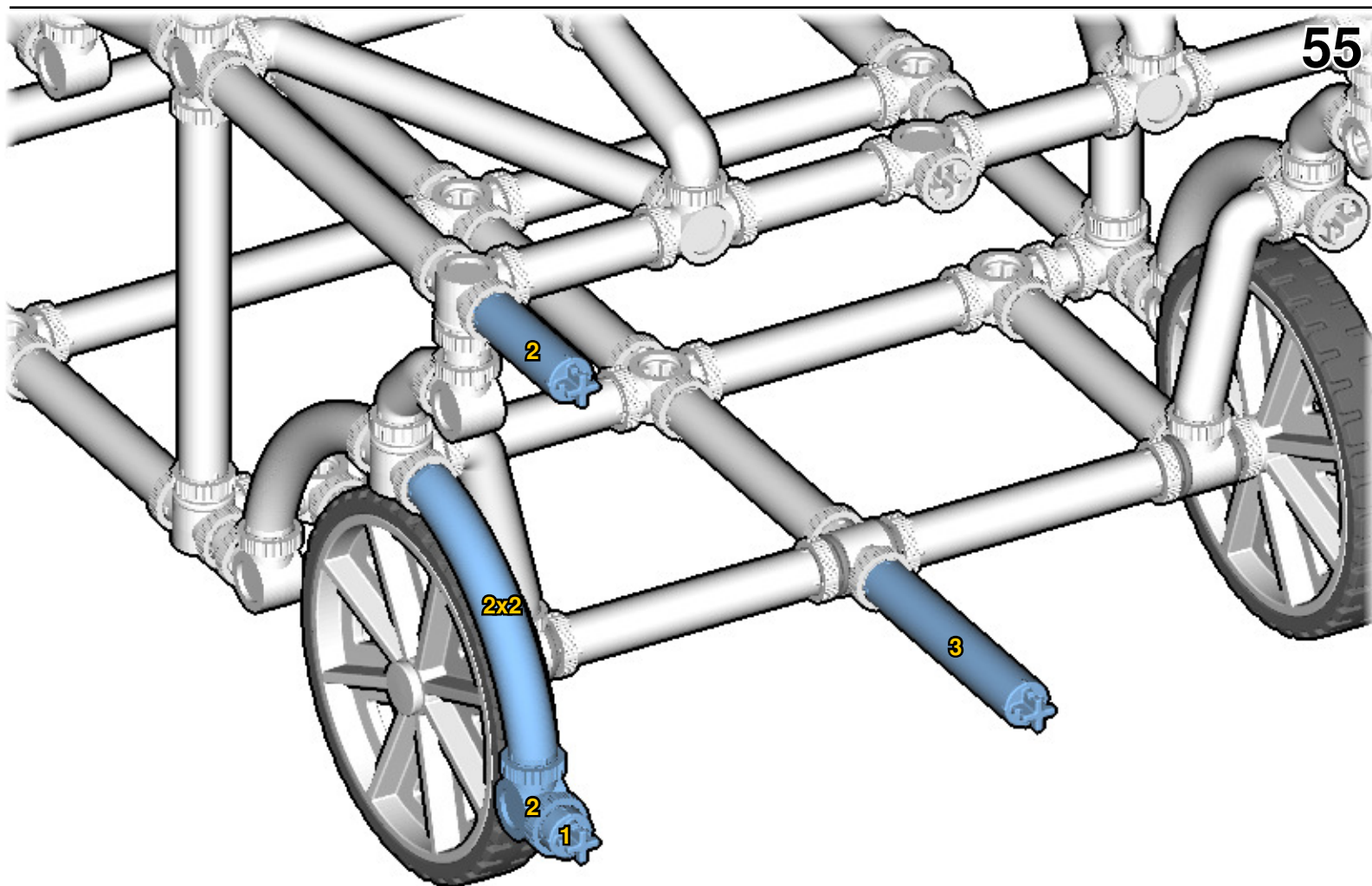
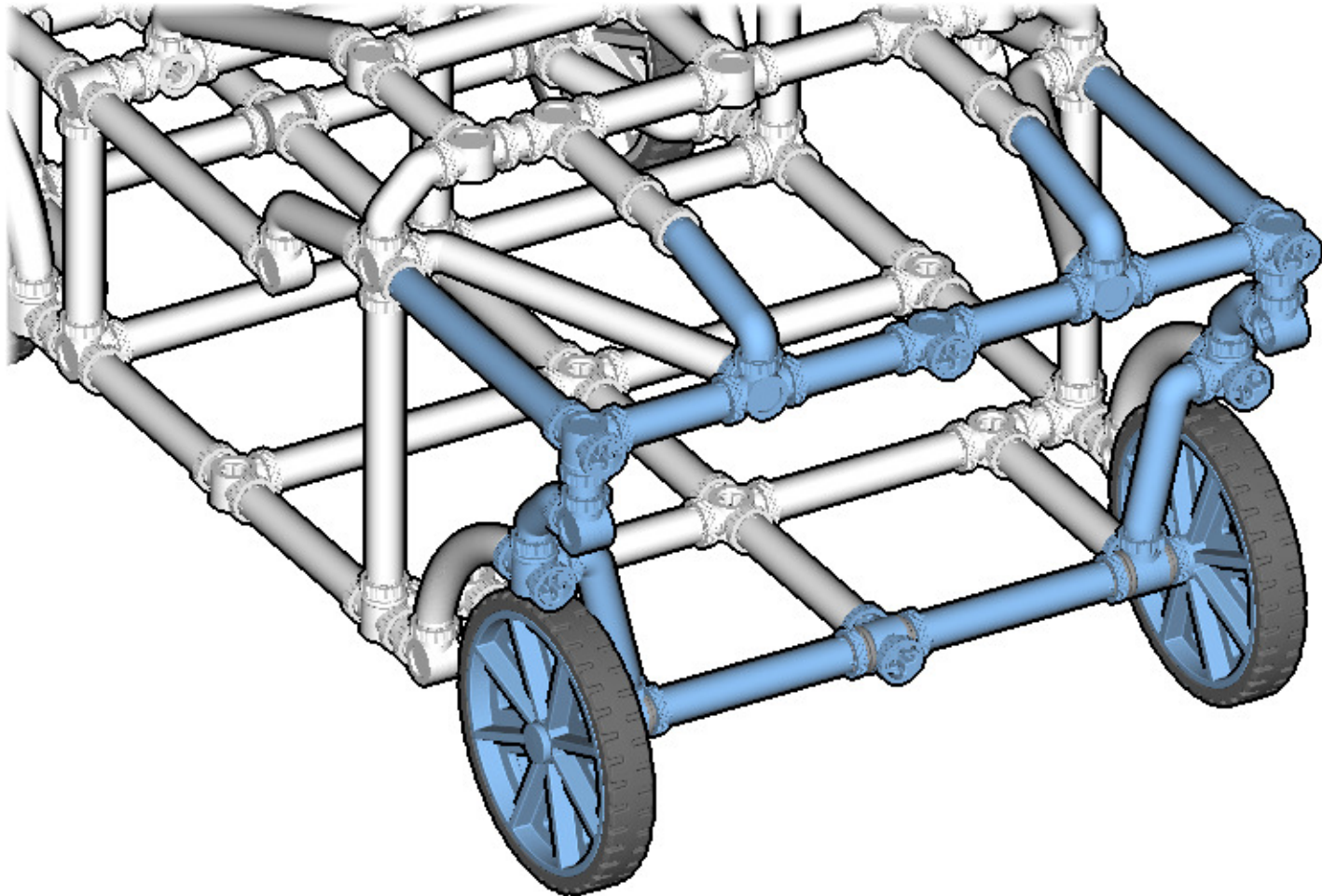


48

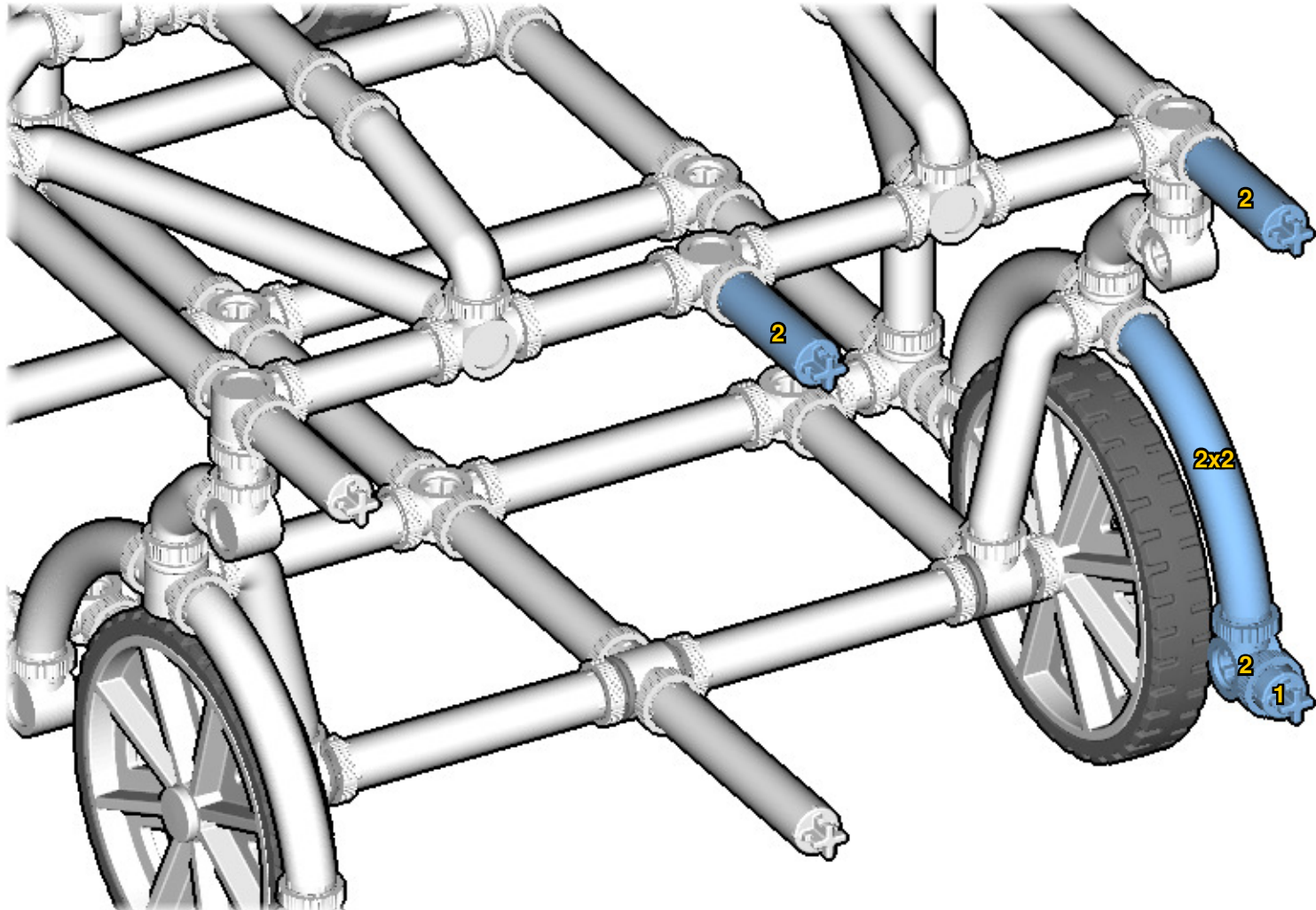




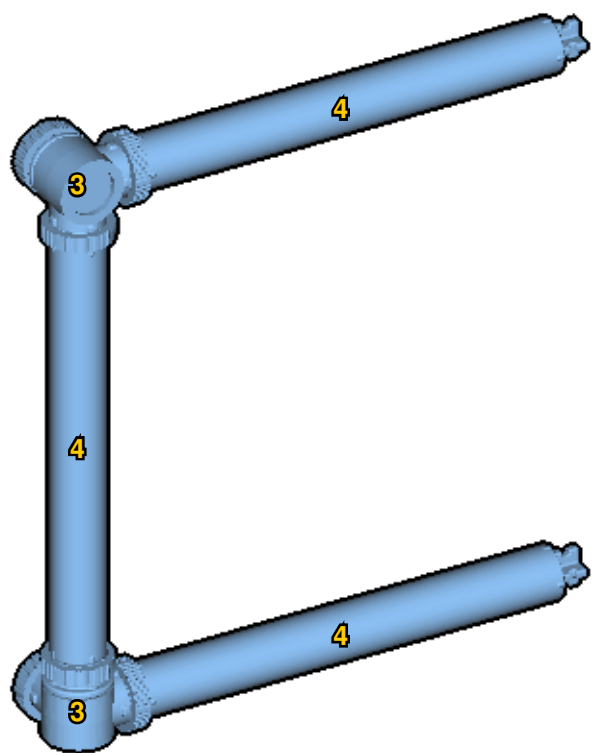




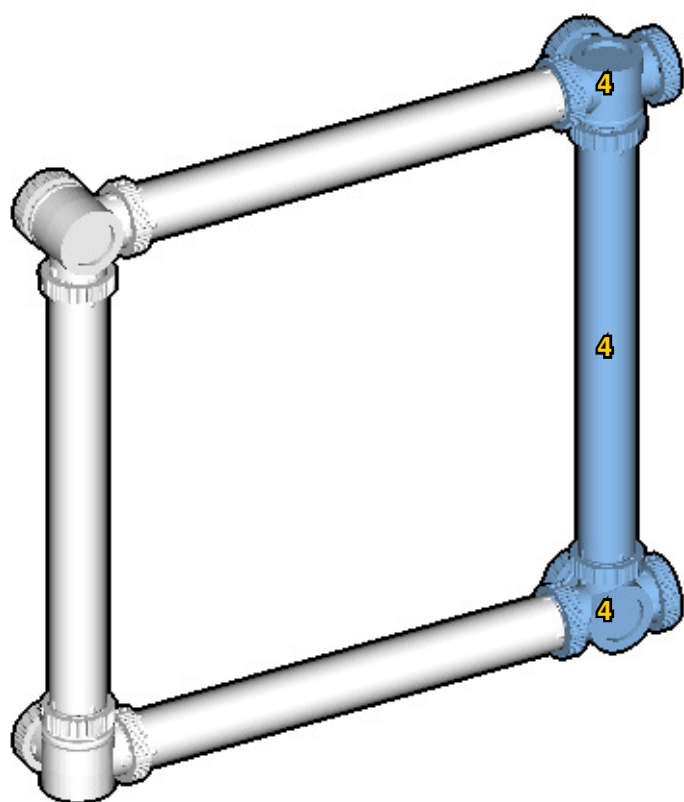
56



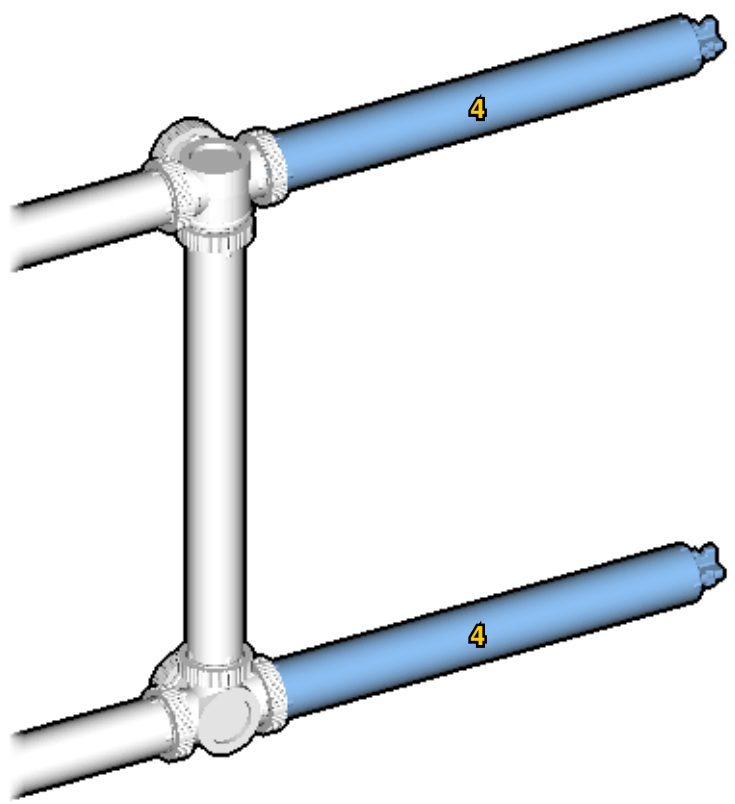
57



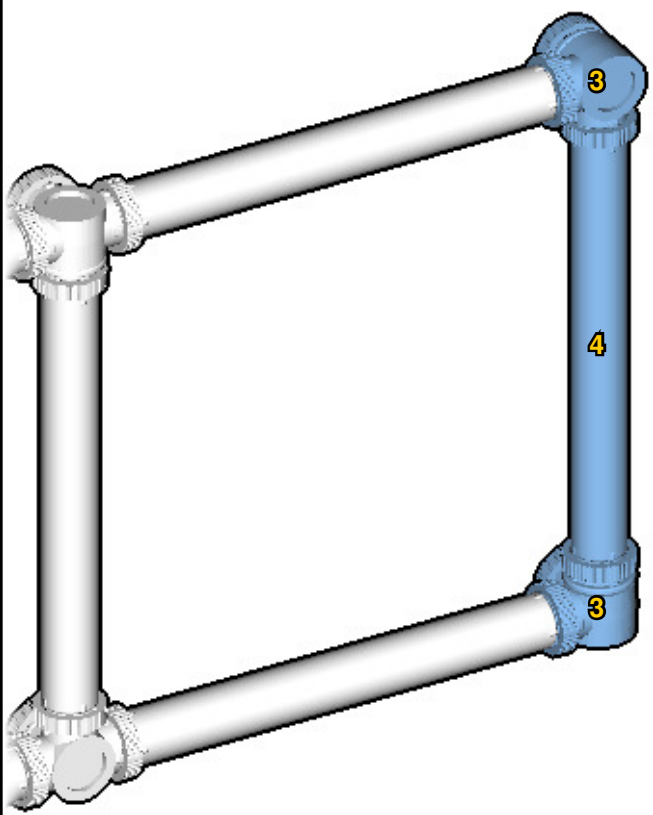
58



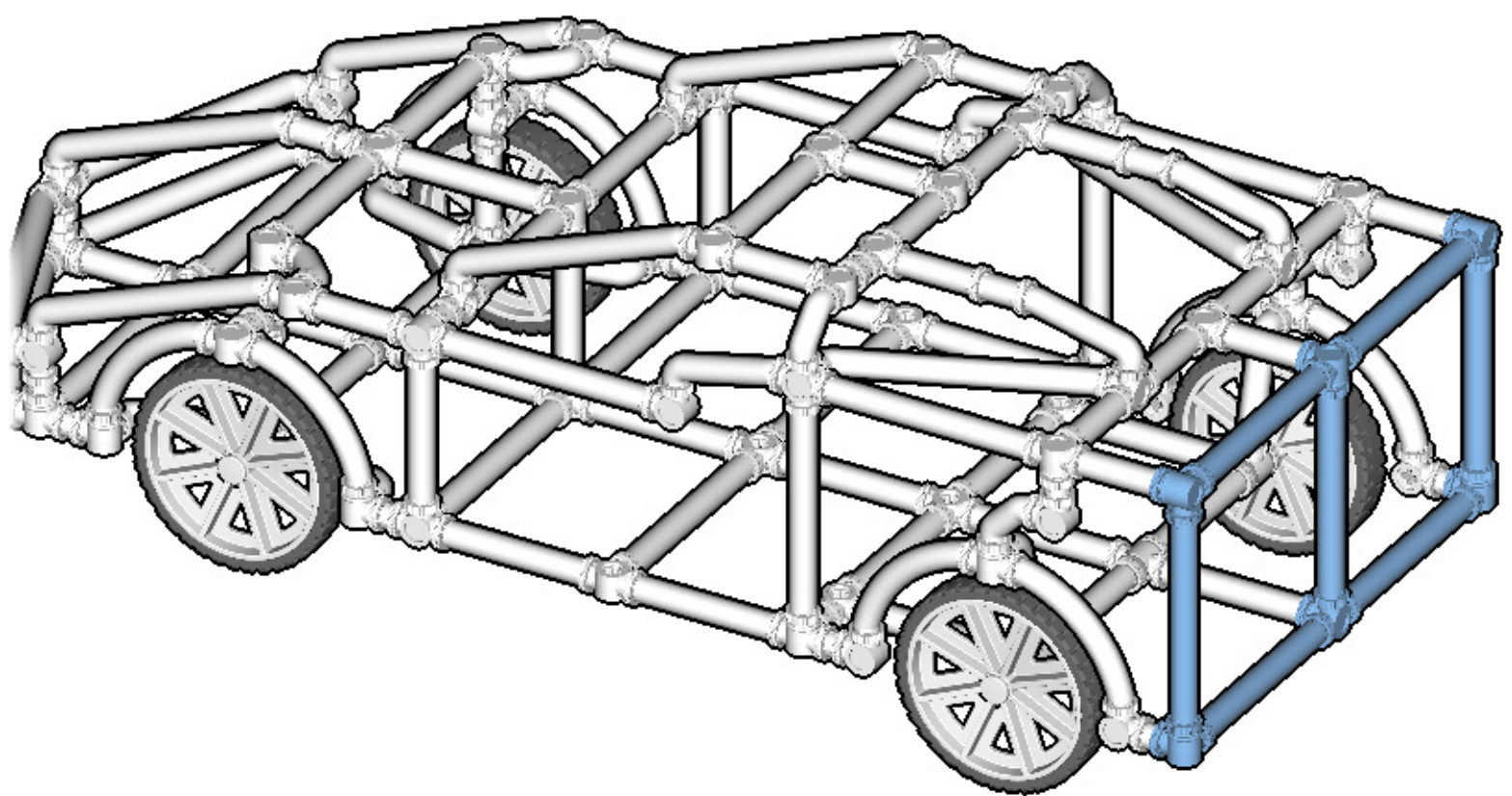
59



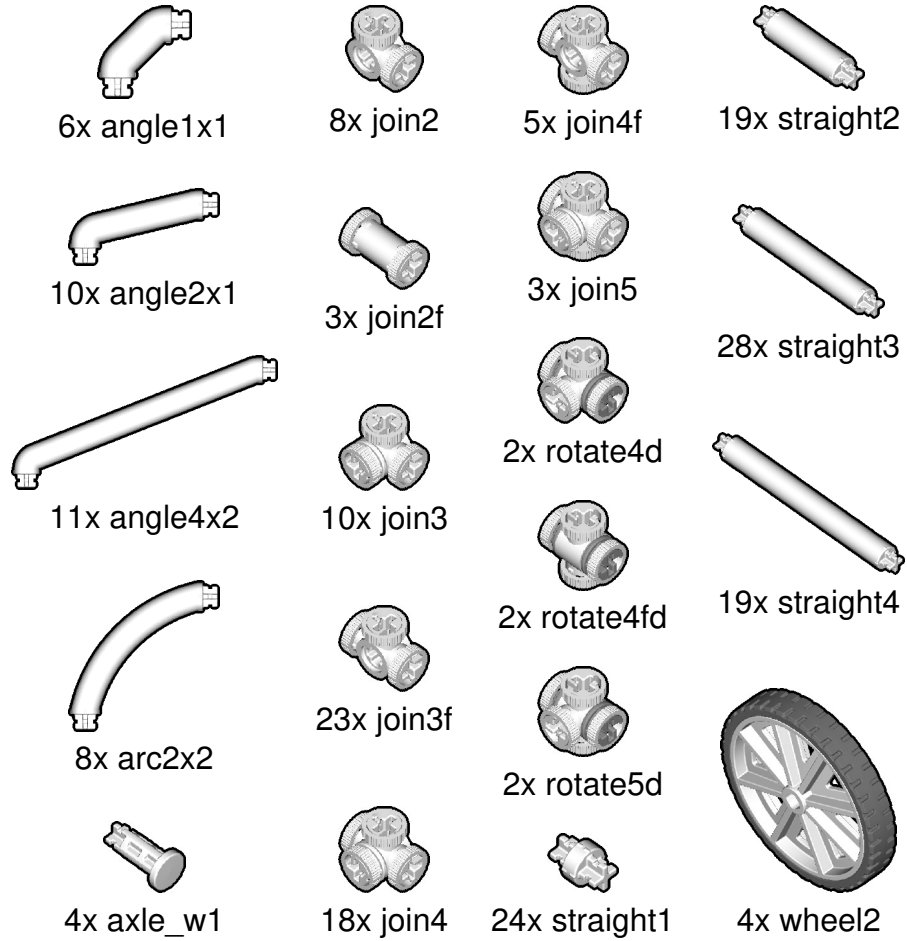
60



61



INVENTORY



ACTUAL SIZE

