

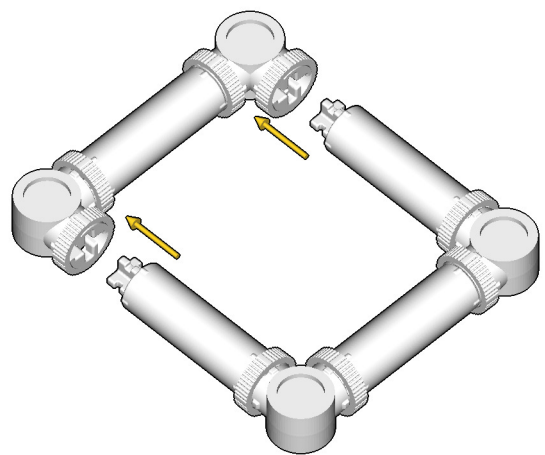
SIZE	2.6ft x 2.2ft x 0.7ft	PIECES	381
DESIGNER	Charles Sharman	MADE IN	U.S.A.

TRAINING PLANE

⚠ WARNING: Small parts. Age 14+. Not a toy. Handle responsibly. U.S. Patent 9,086,087.



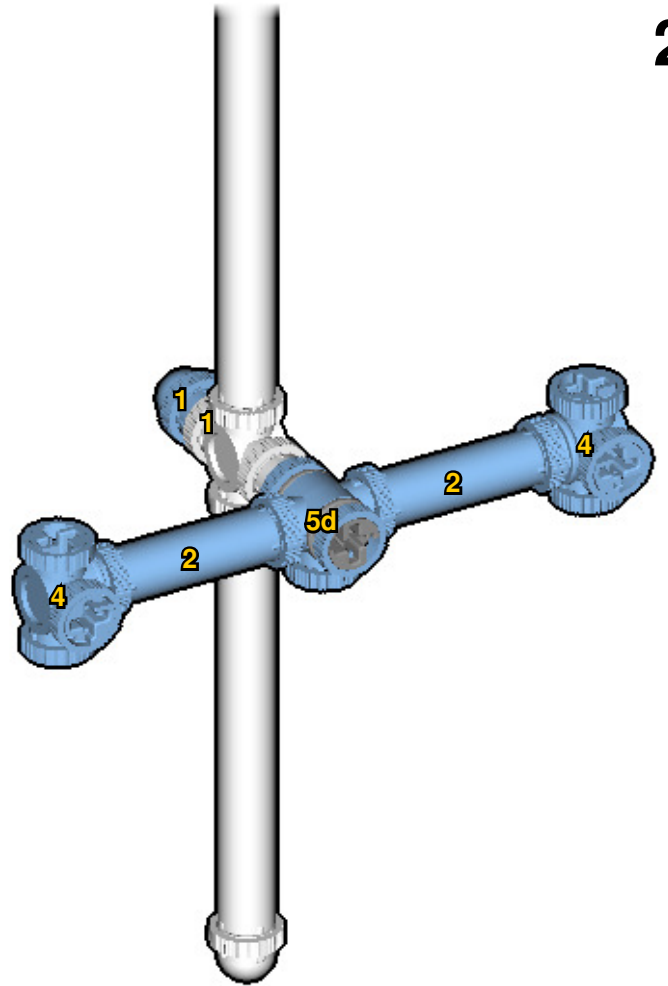
Wrong
Connecting/Disconnecting Two Directions



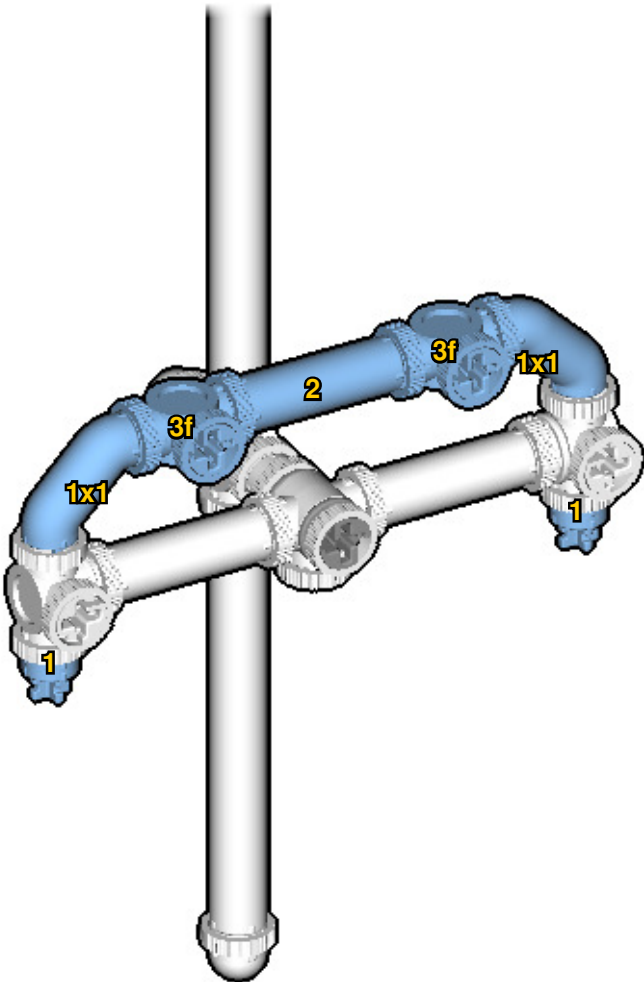
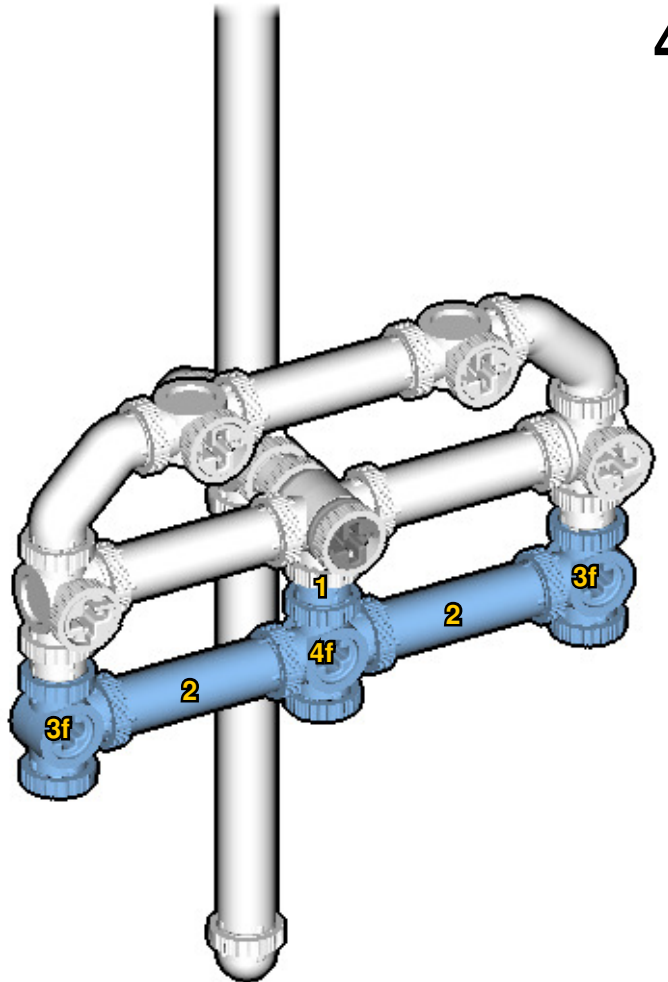
Right
Connecting/Disconnecting One Direction

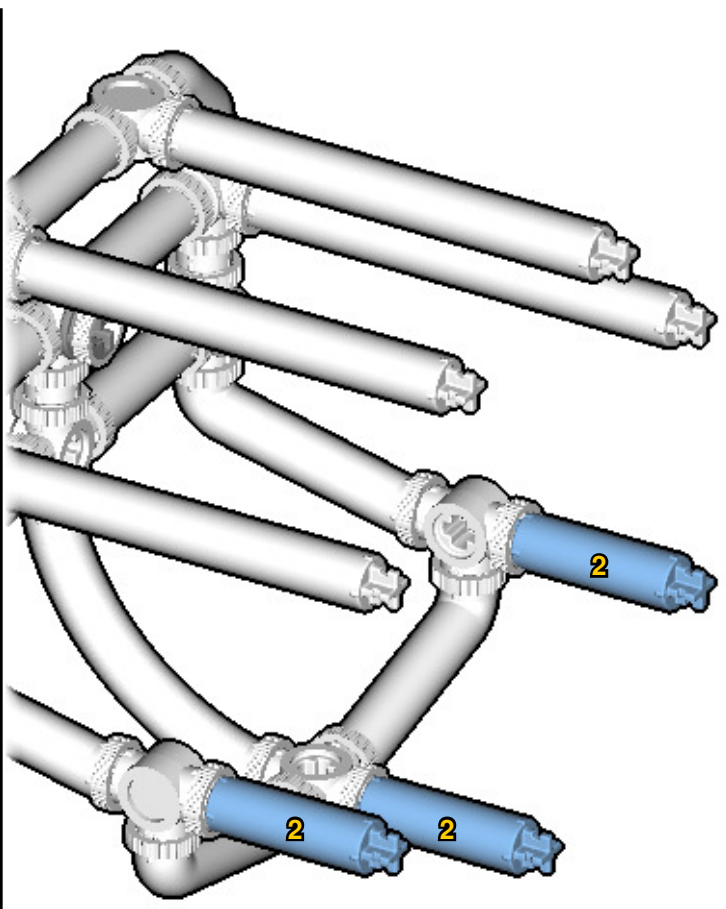
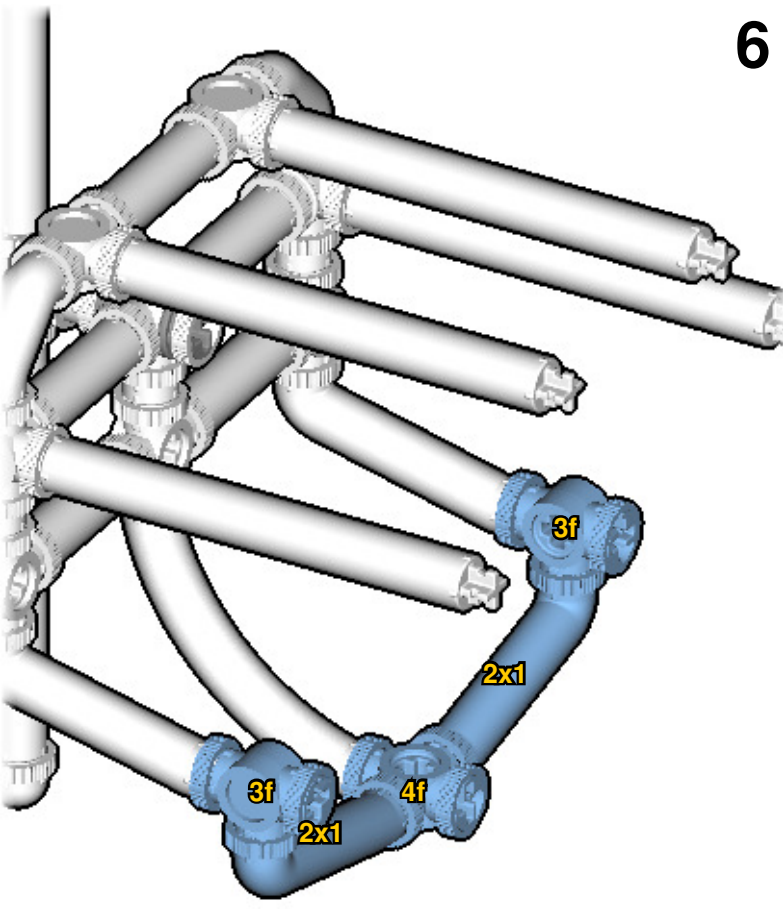
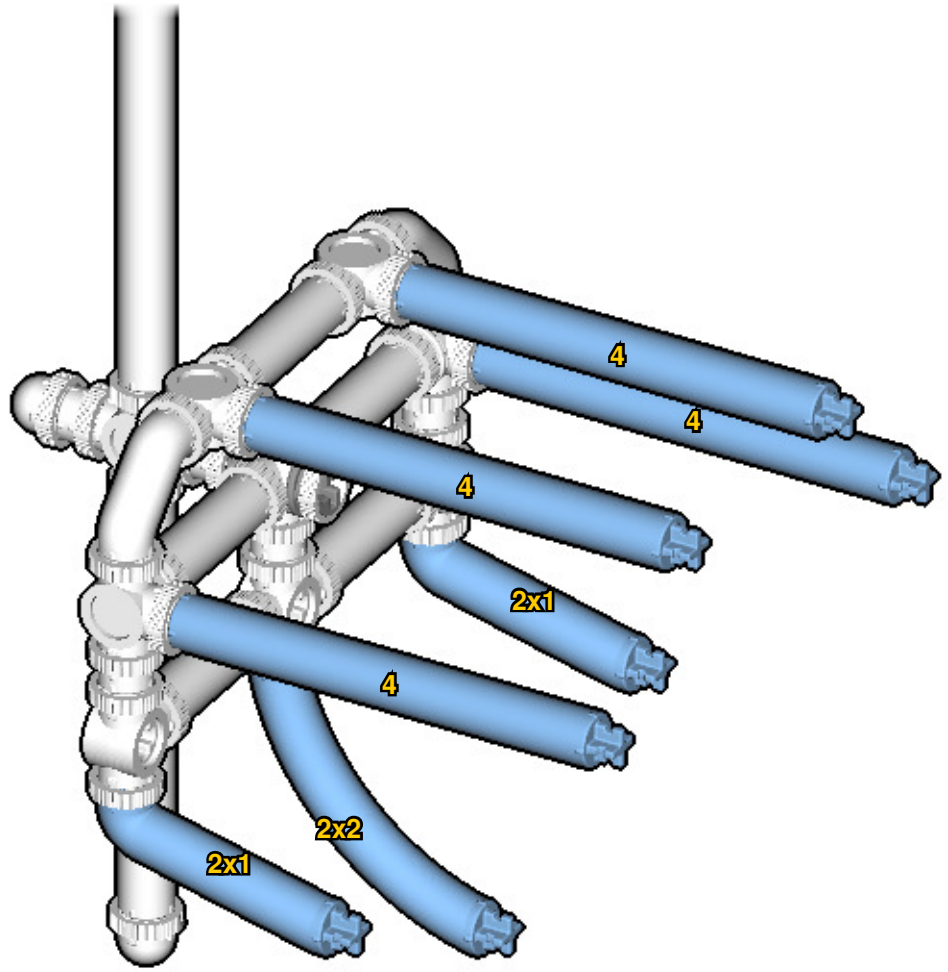
1

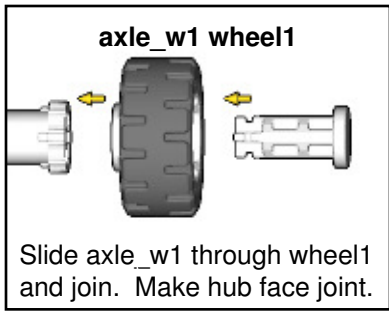
New pieces are drawn blue. Old pieces are drawn white.
See back for piece names.

2

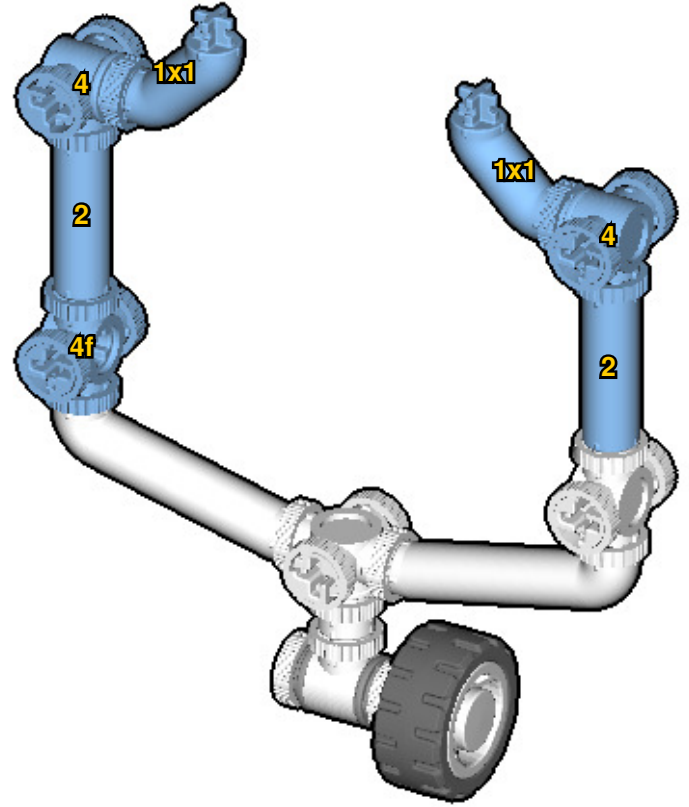
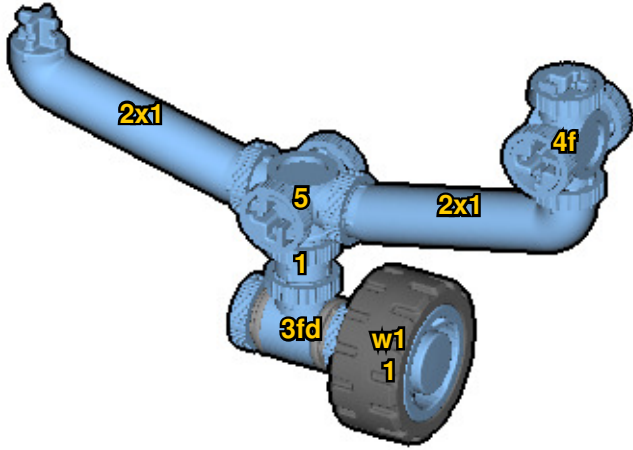
Connect new pieces together before connecting to old pieces.

3**4**



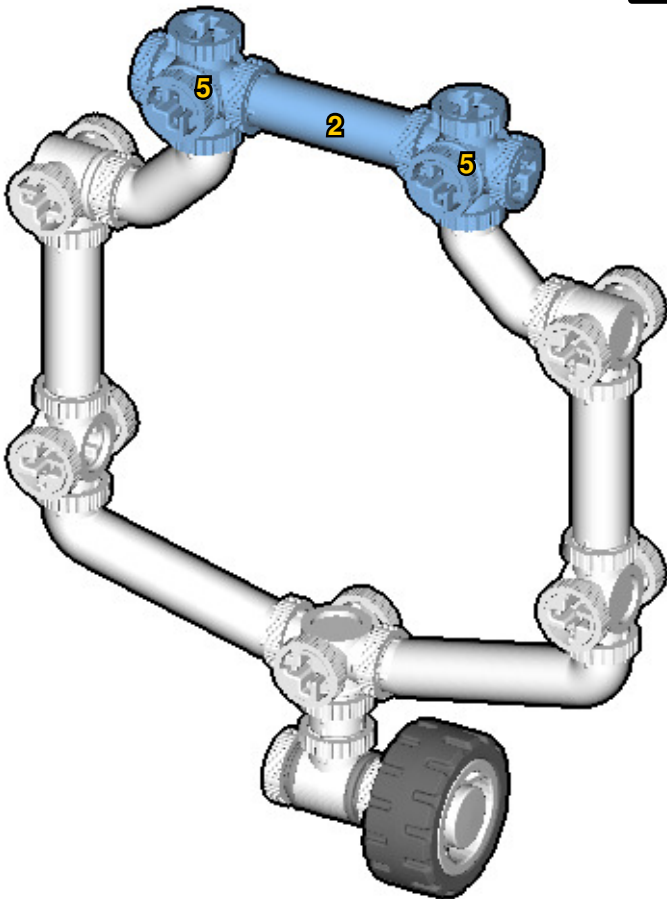


Submodel begins → **18**

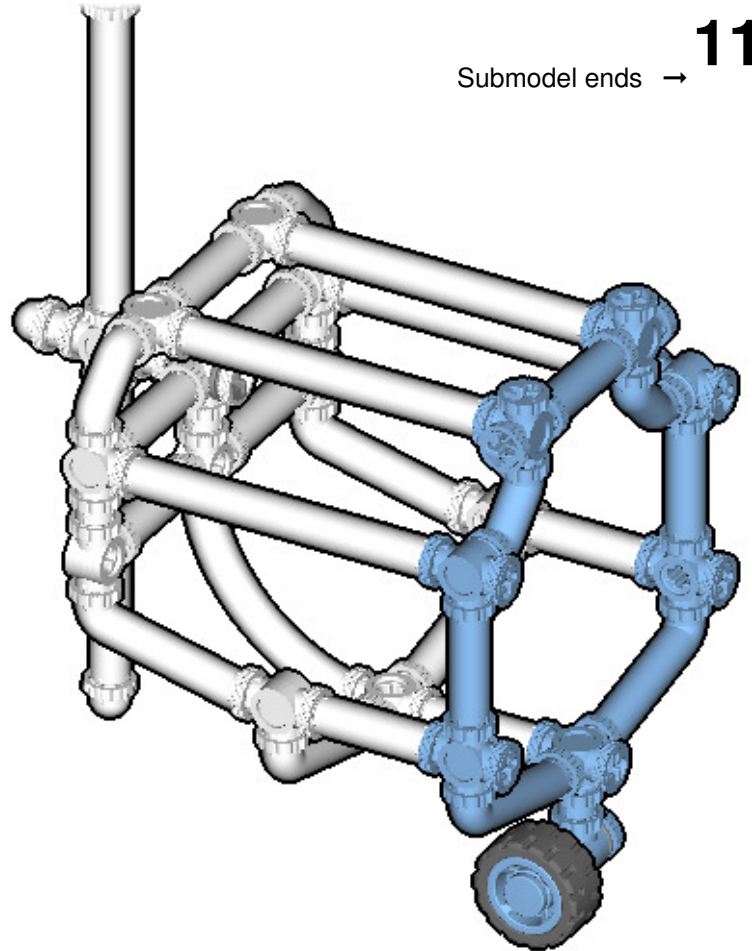


19

10

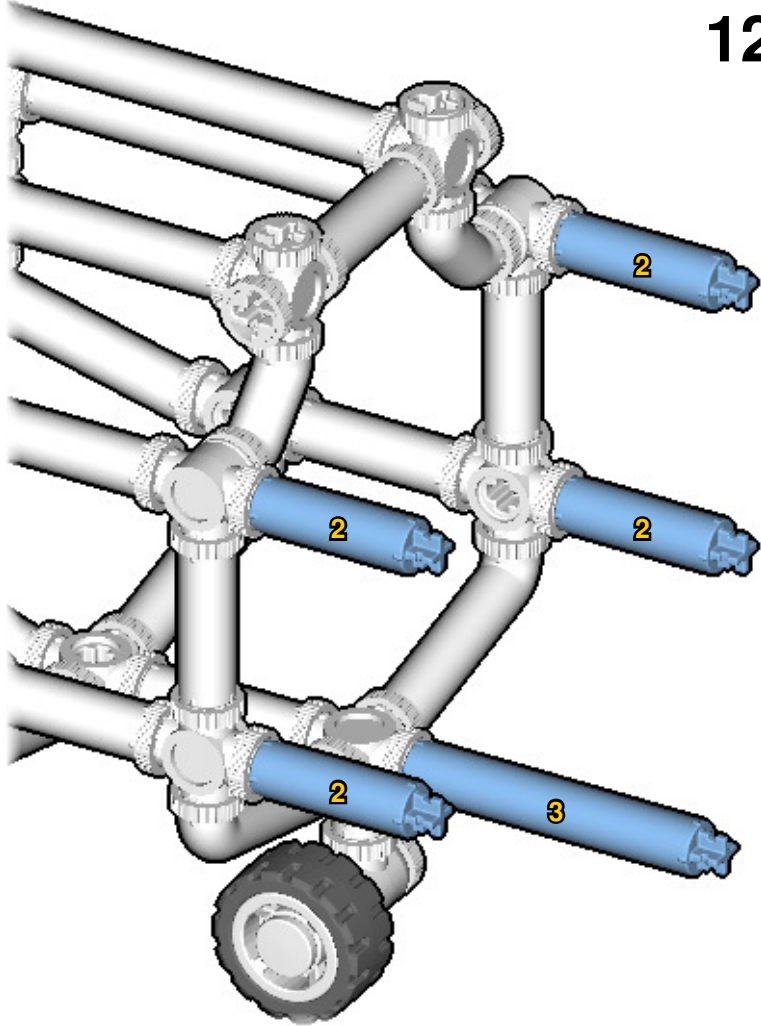


Submodel ends → **11**

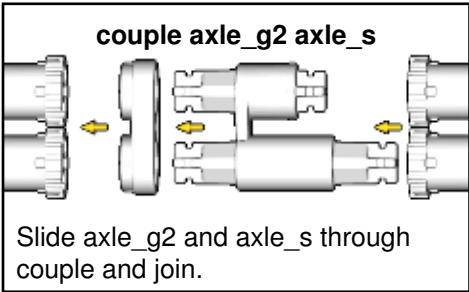
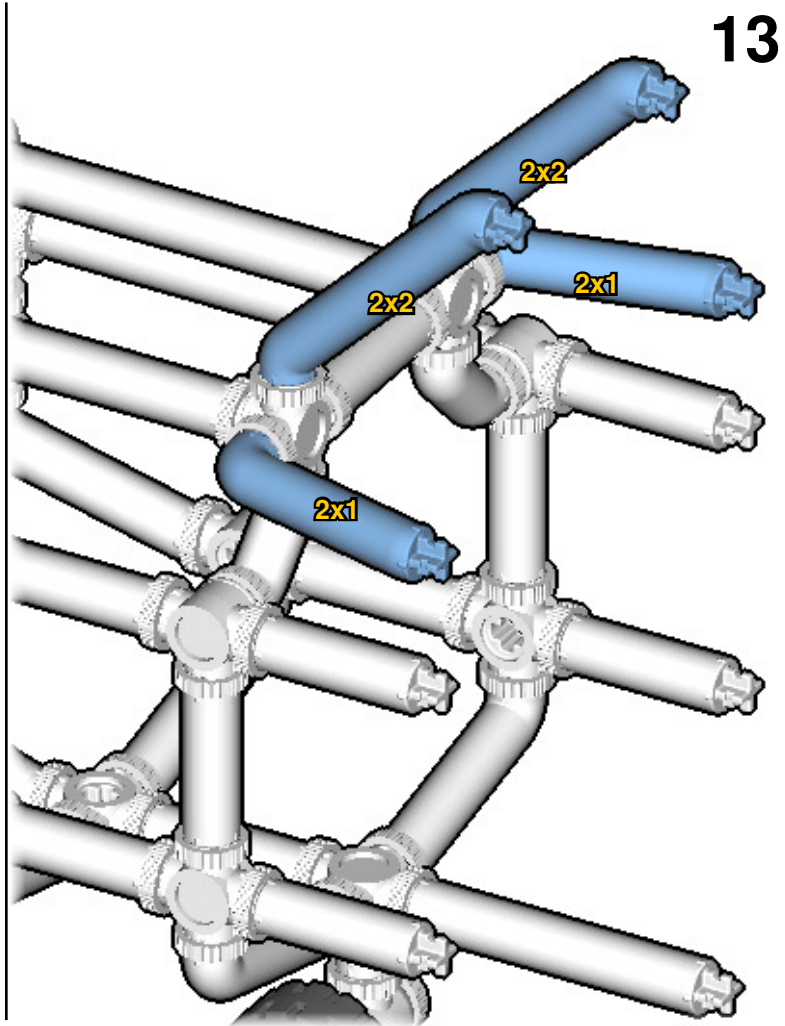


Connect submodel to model.

12



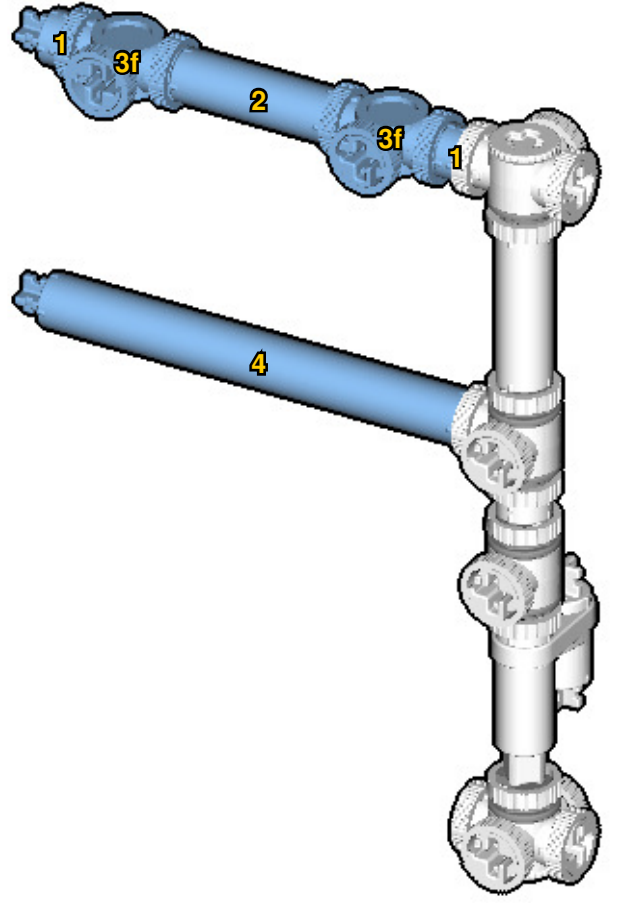
13



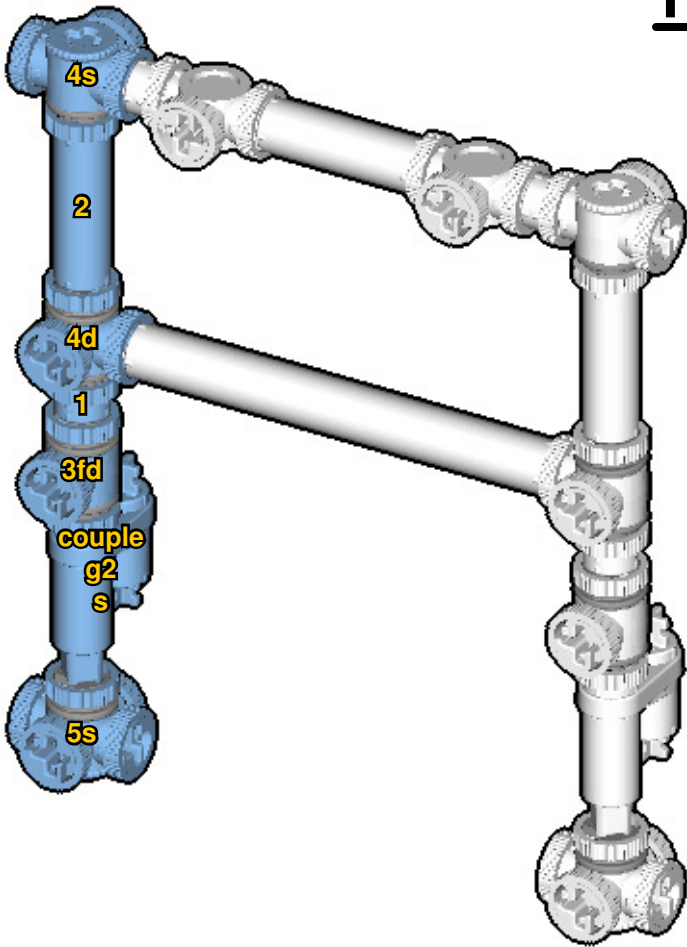
14



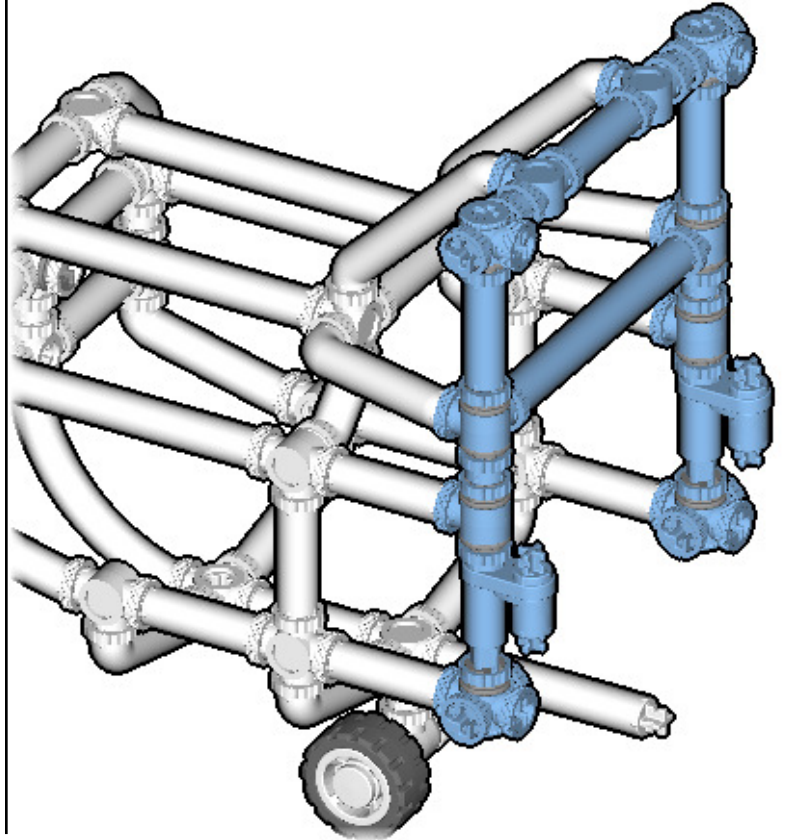
15



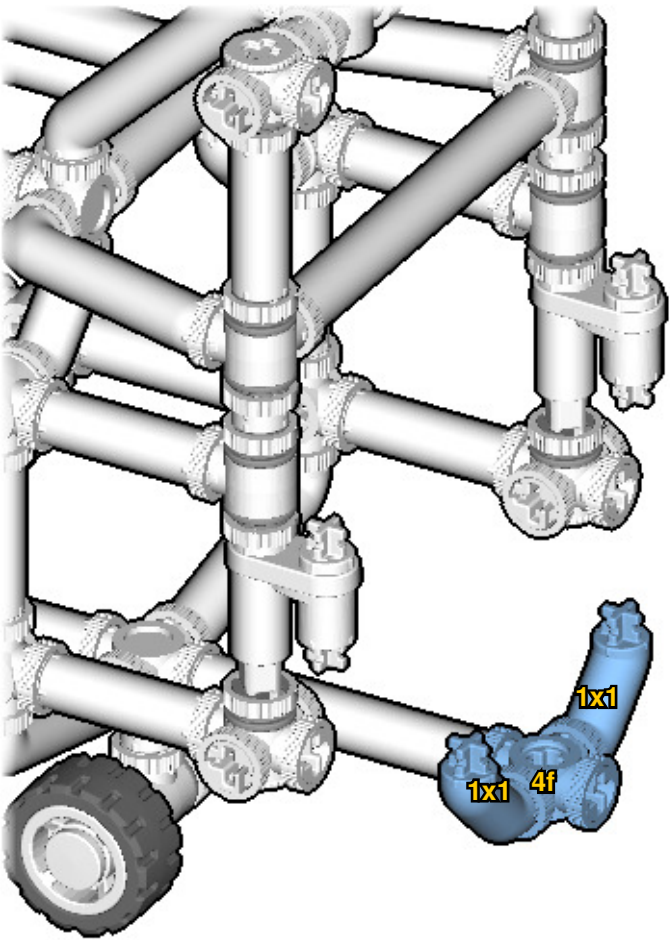
16



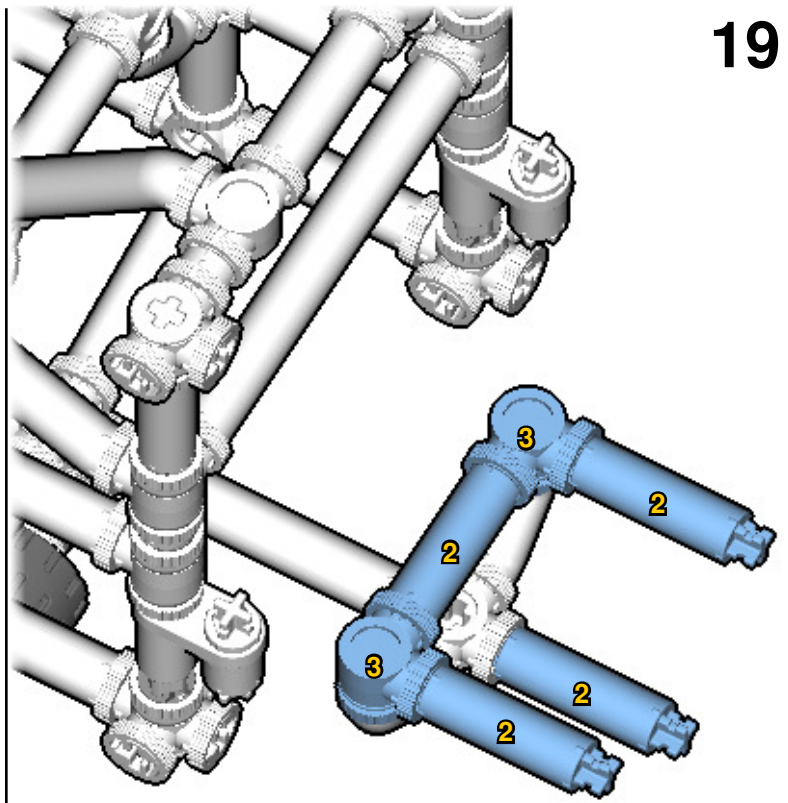
17

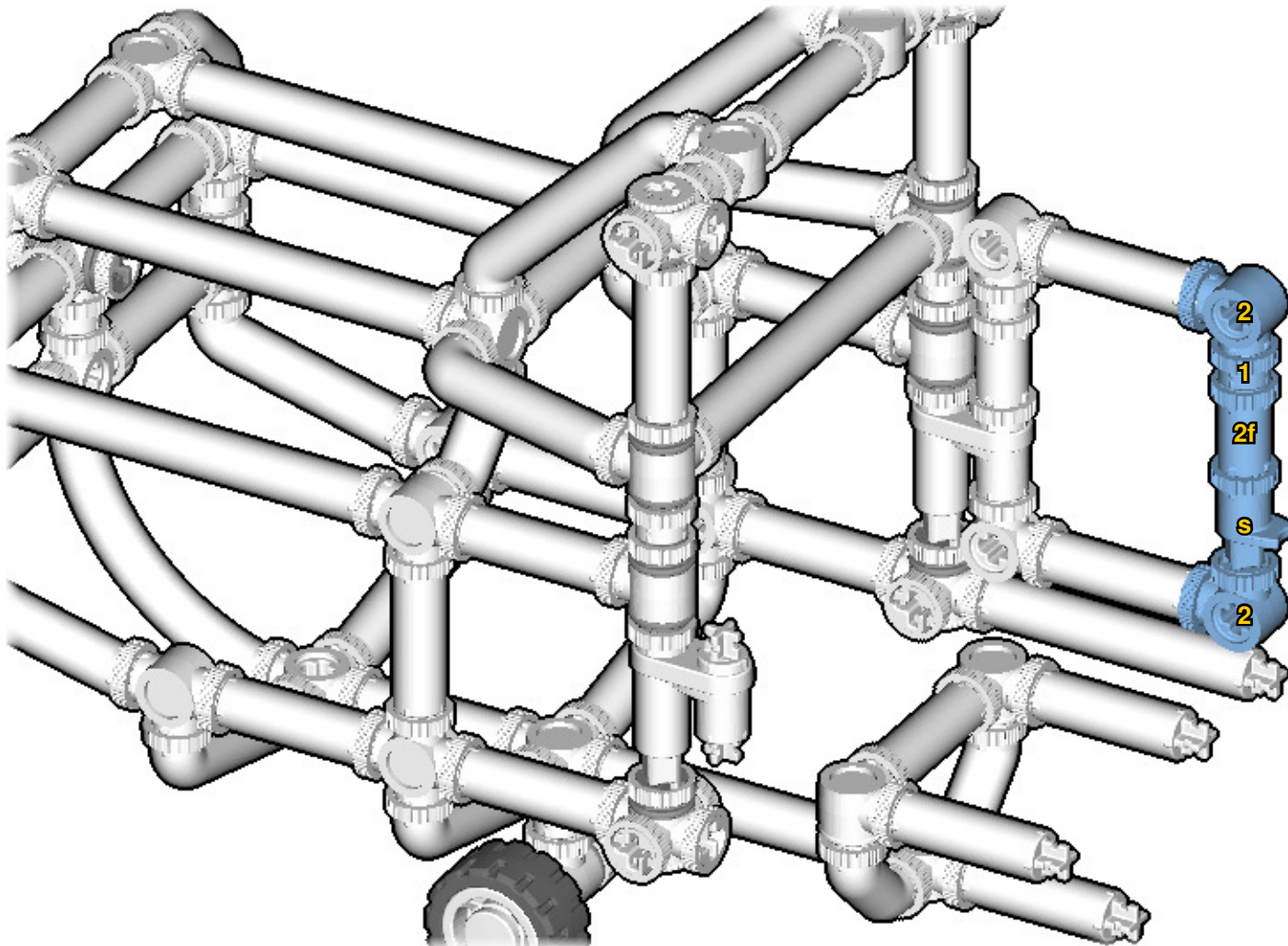
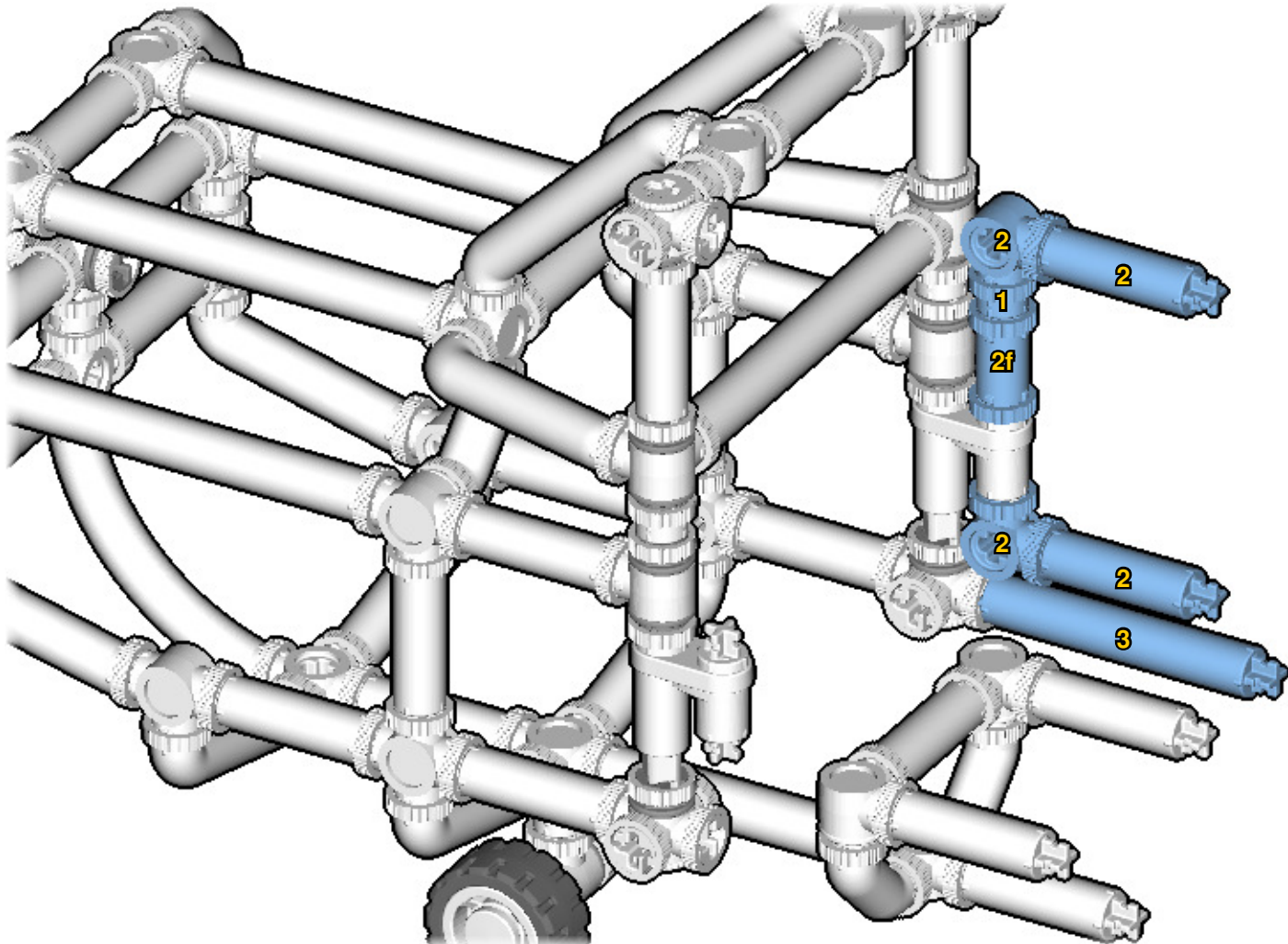


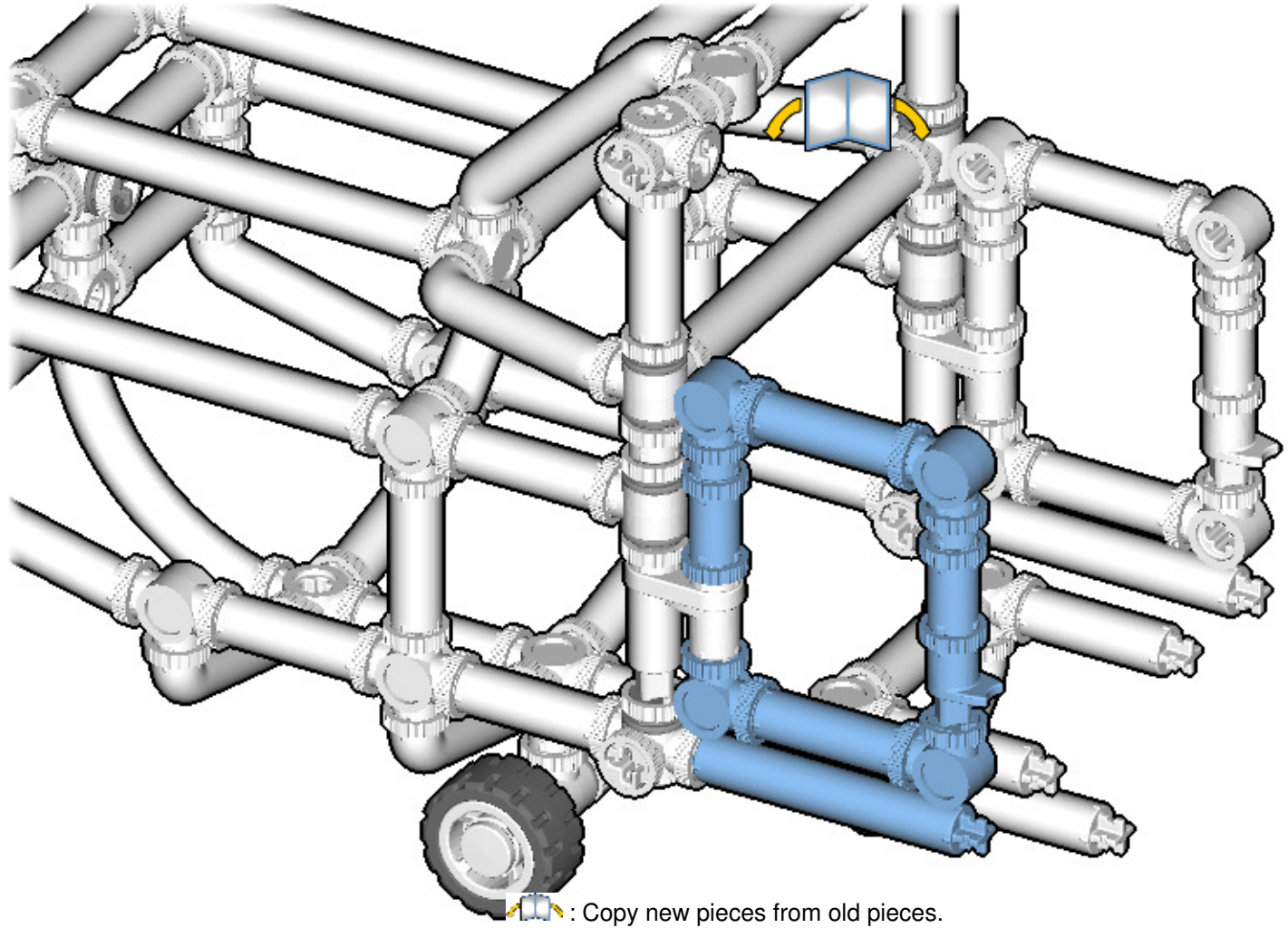
18



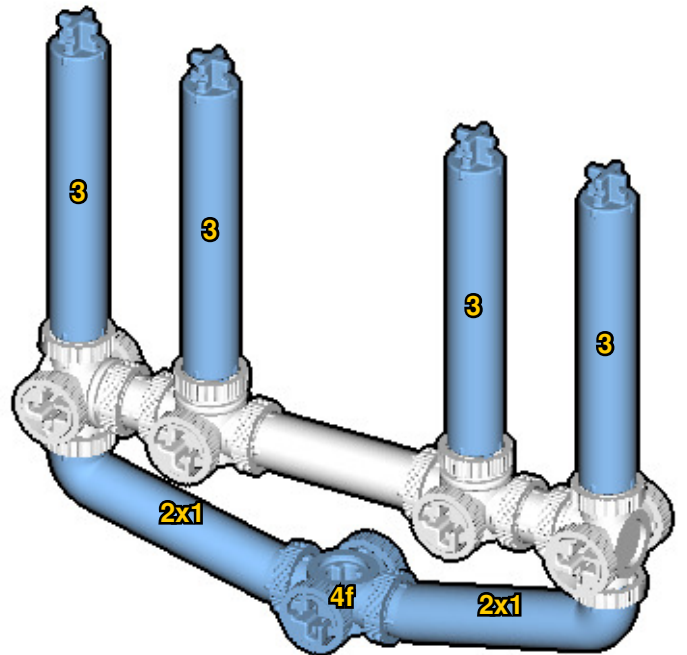
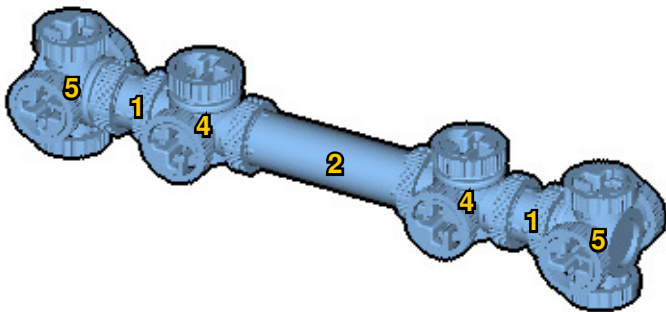
19



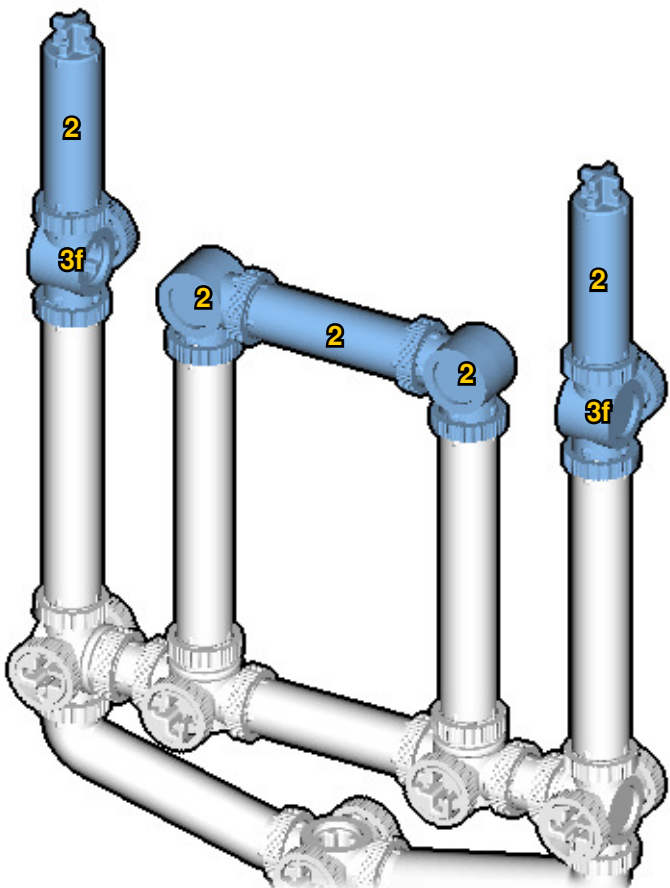




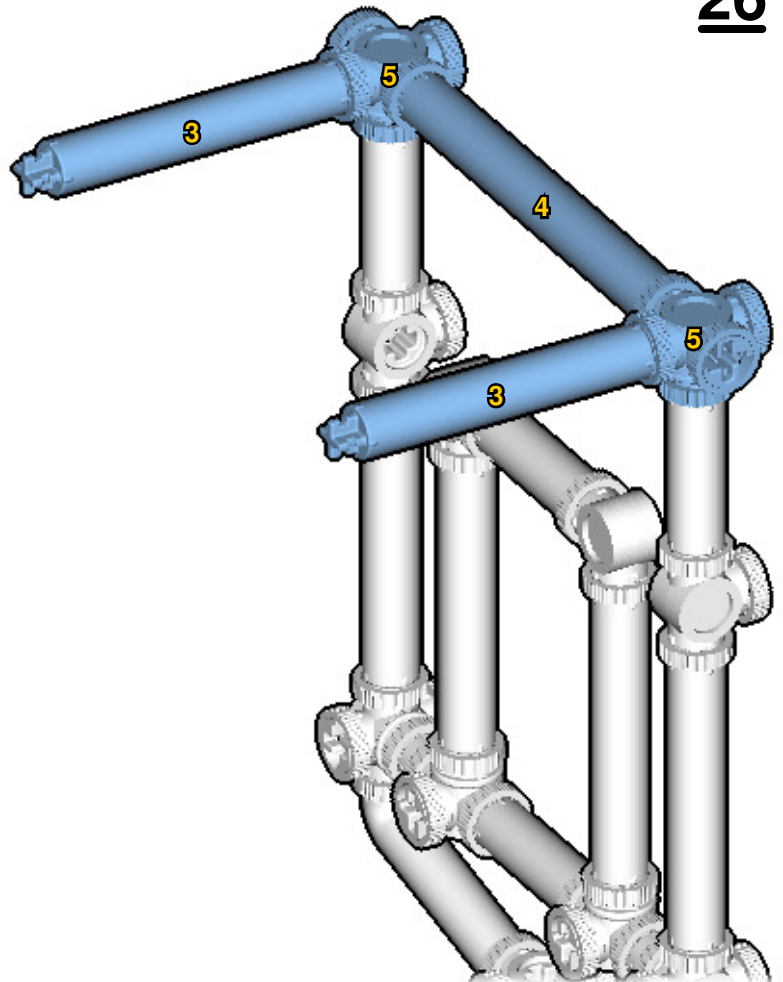
 : Copy new pieces from old pieces.



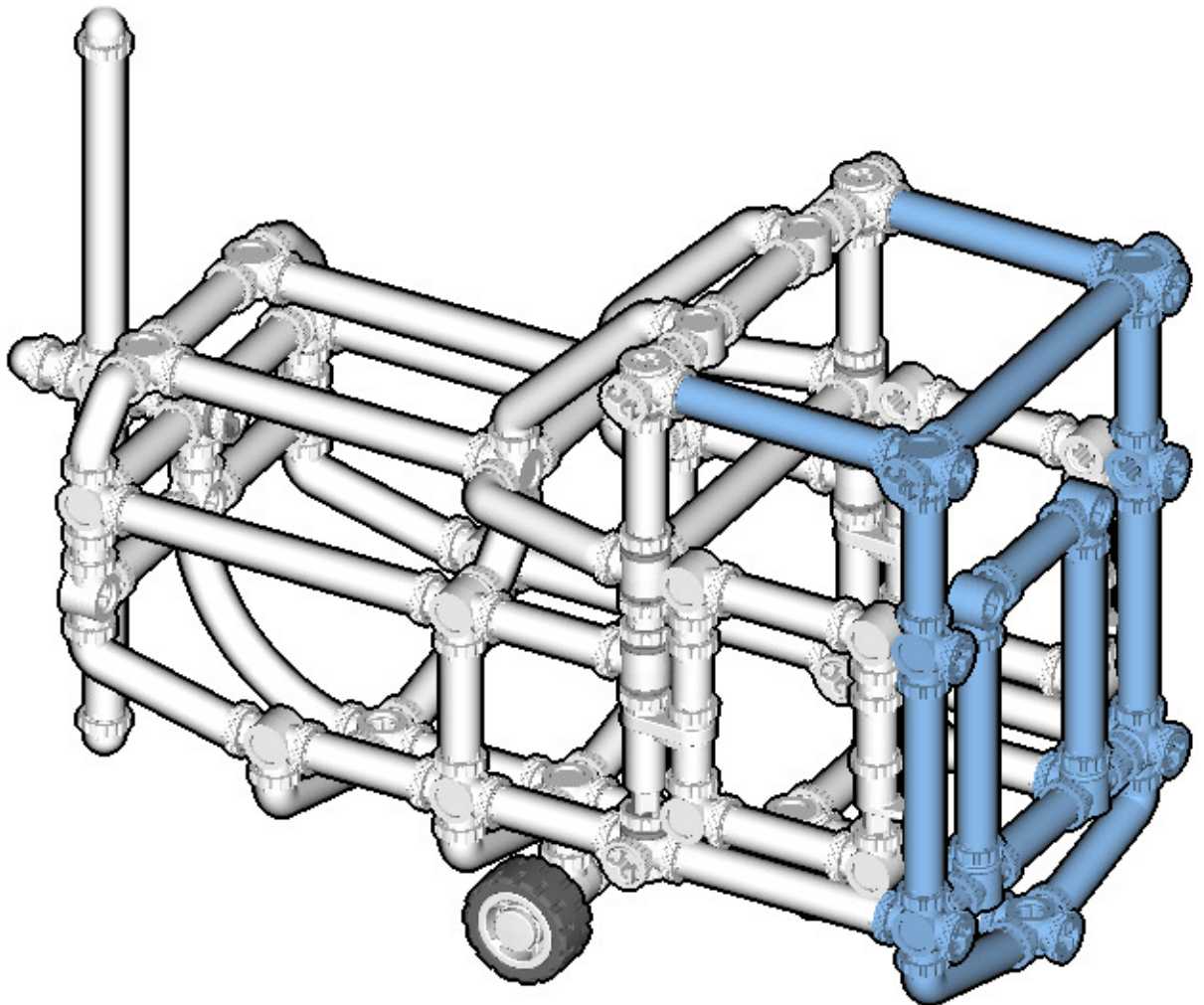
25

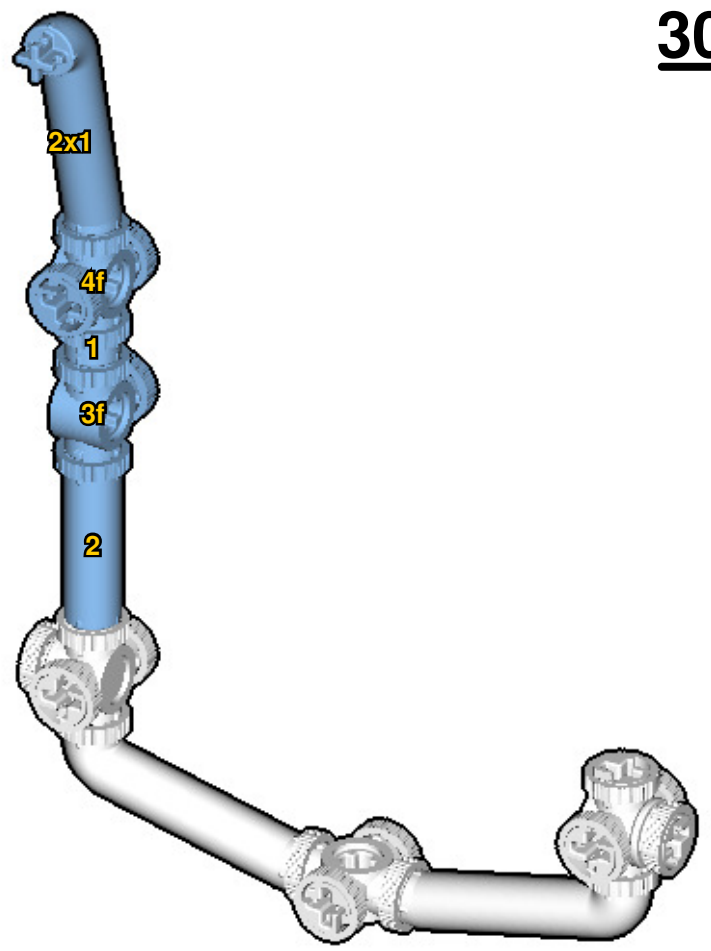
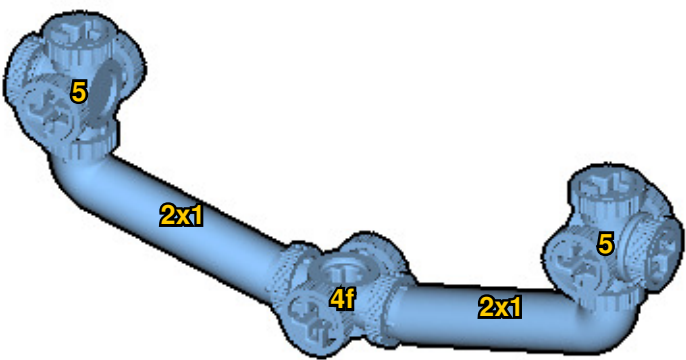
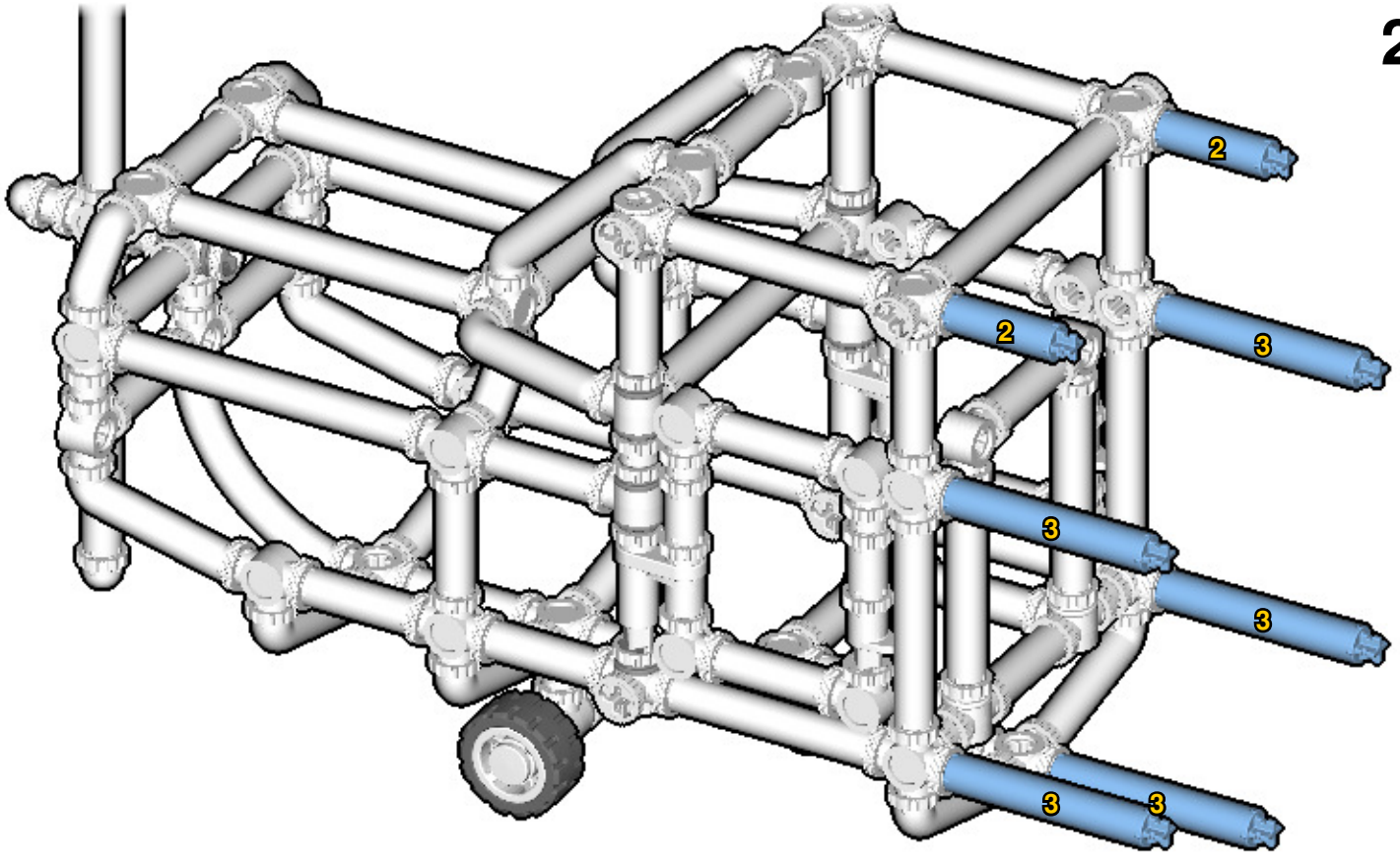


26

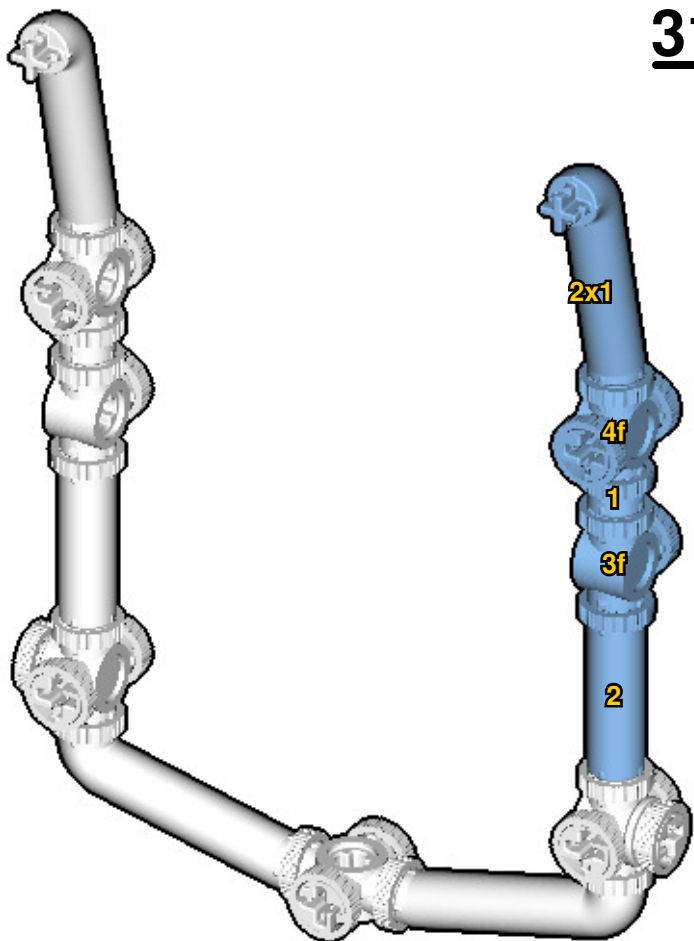


27

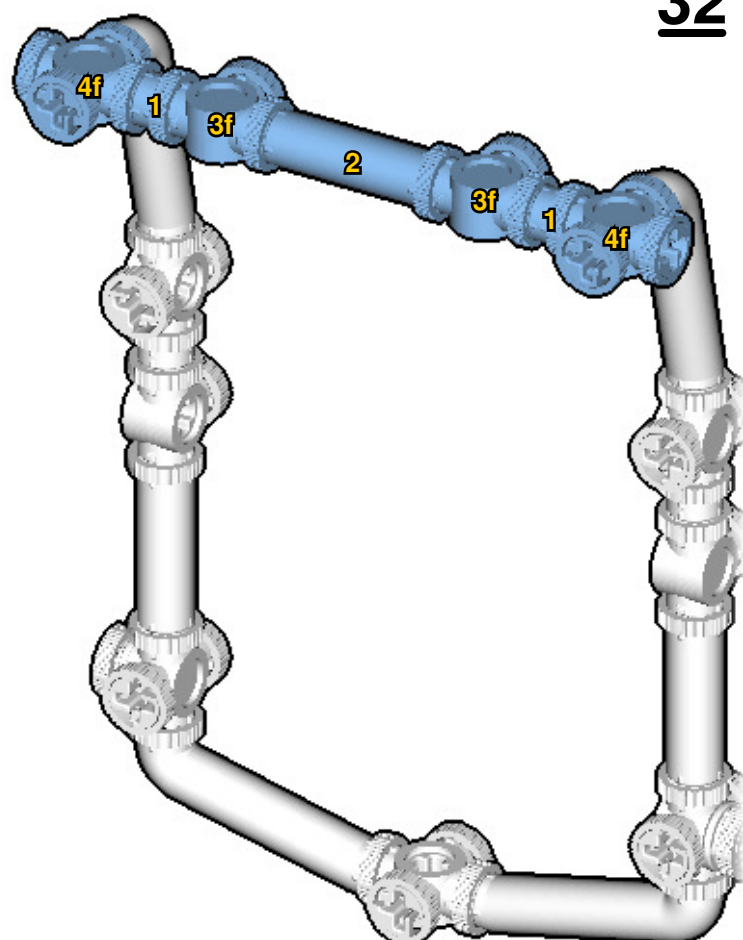




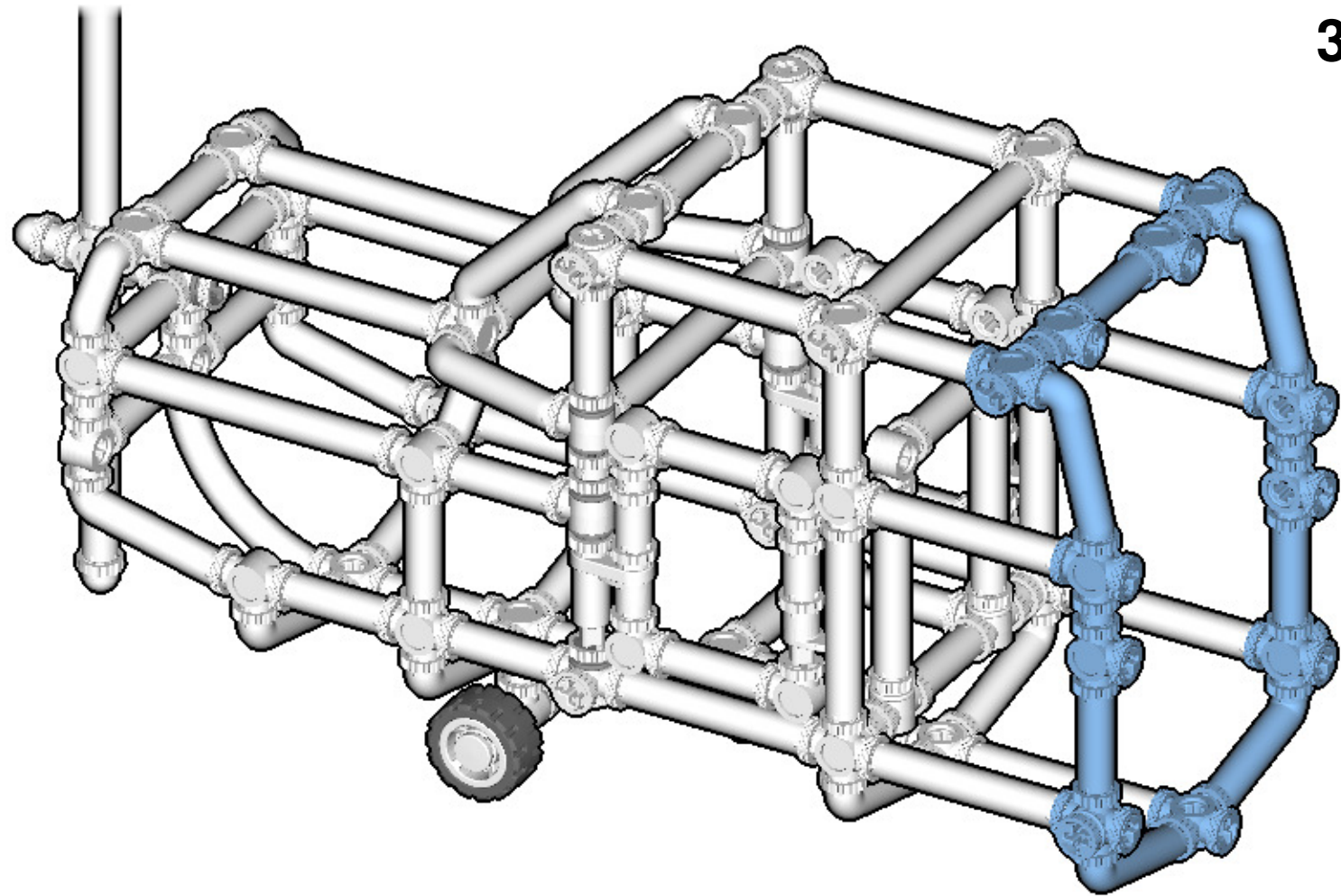
31



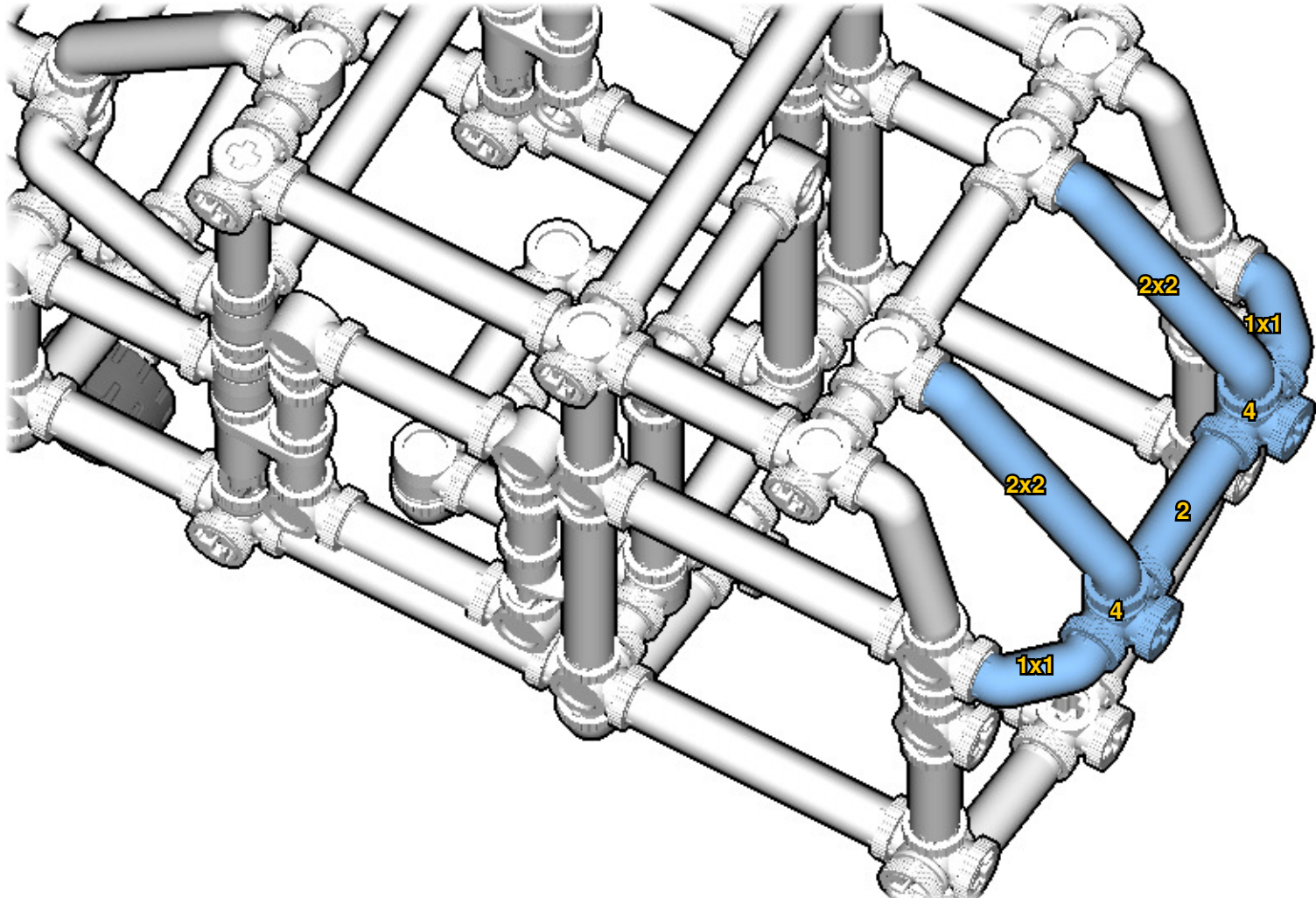
32



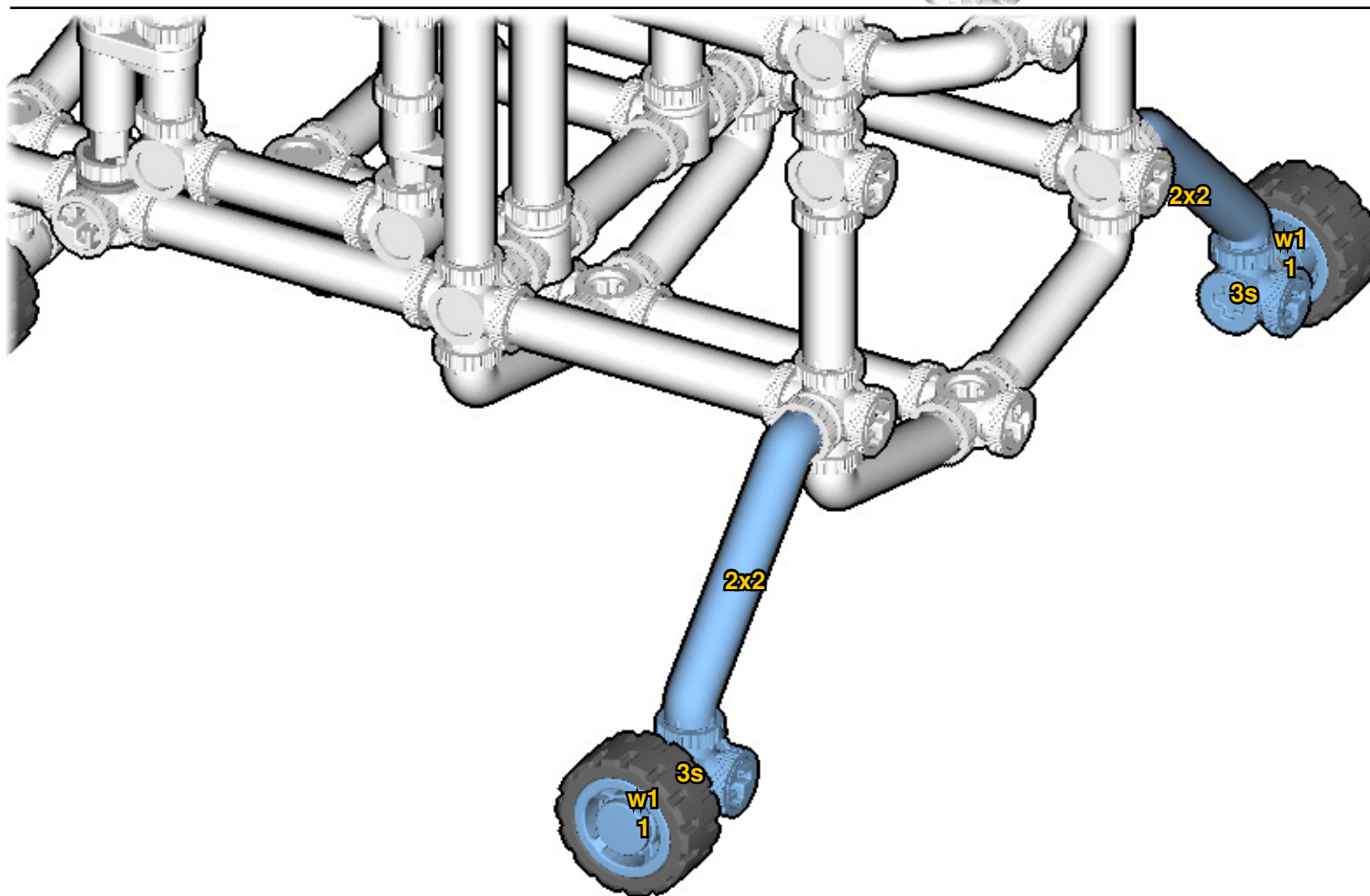
33



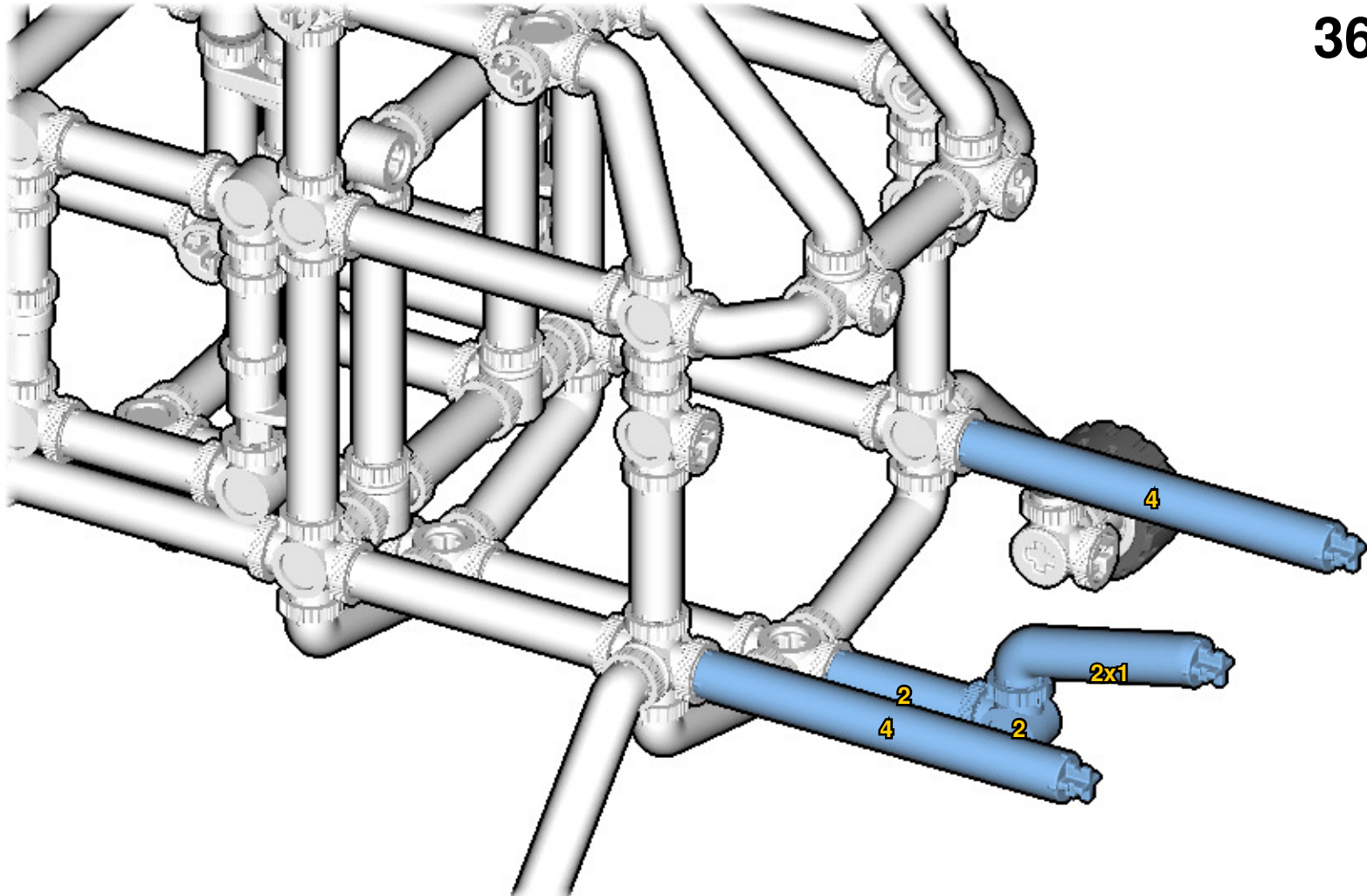
34



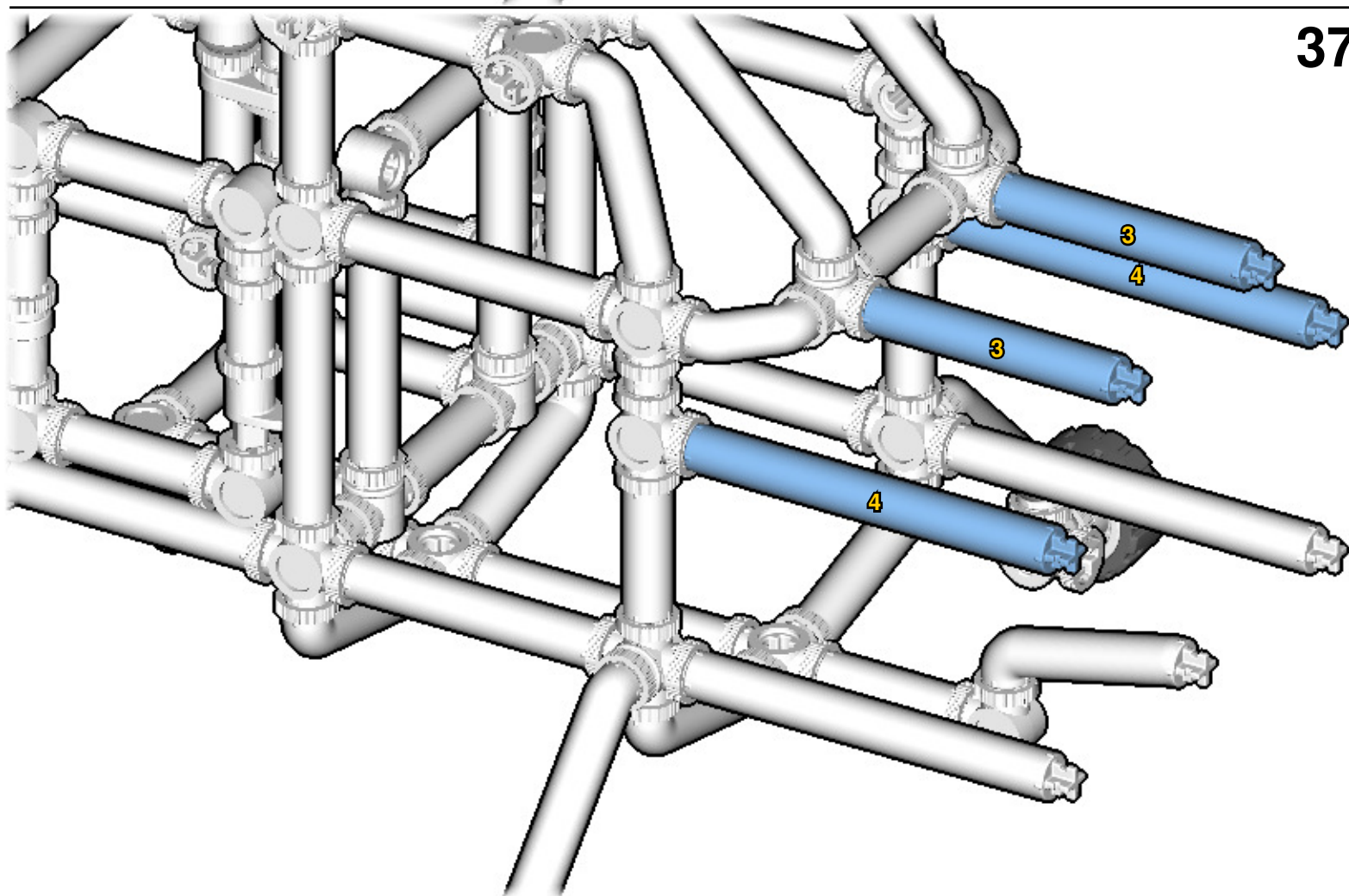
35



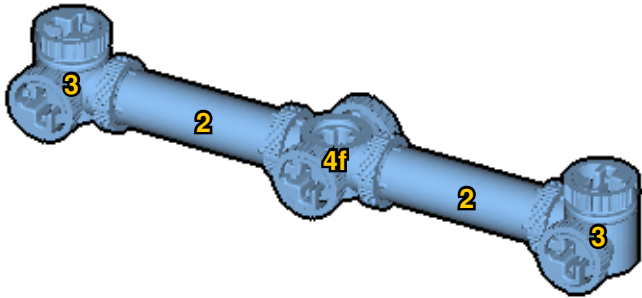
36



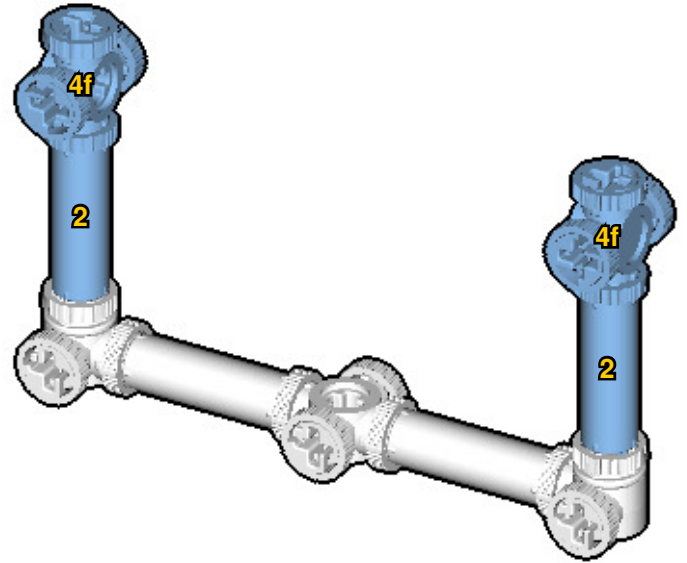
37



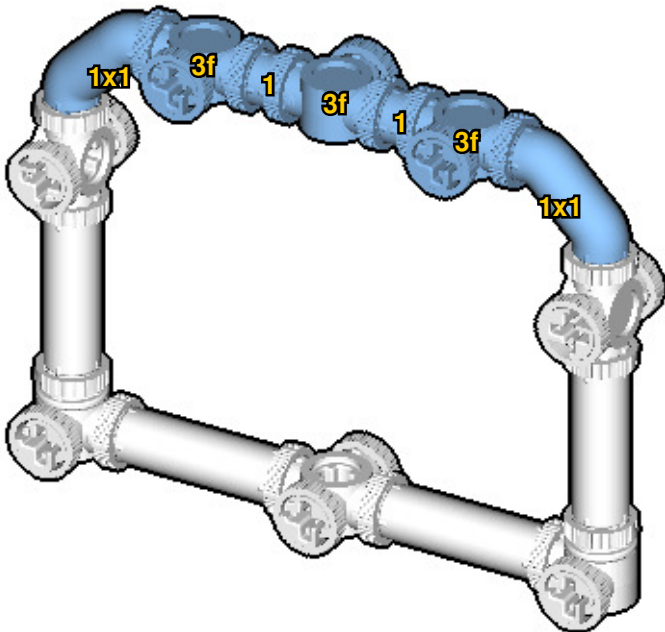
38



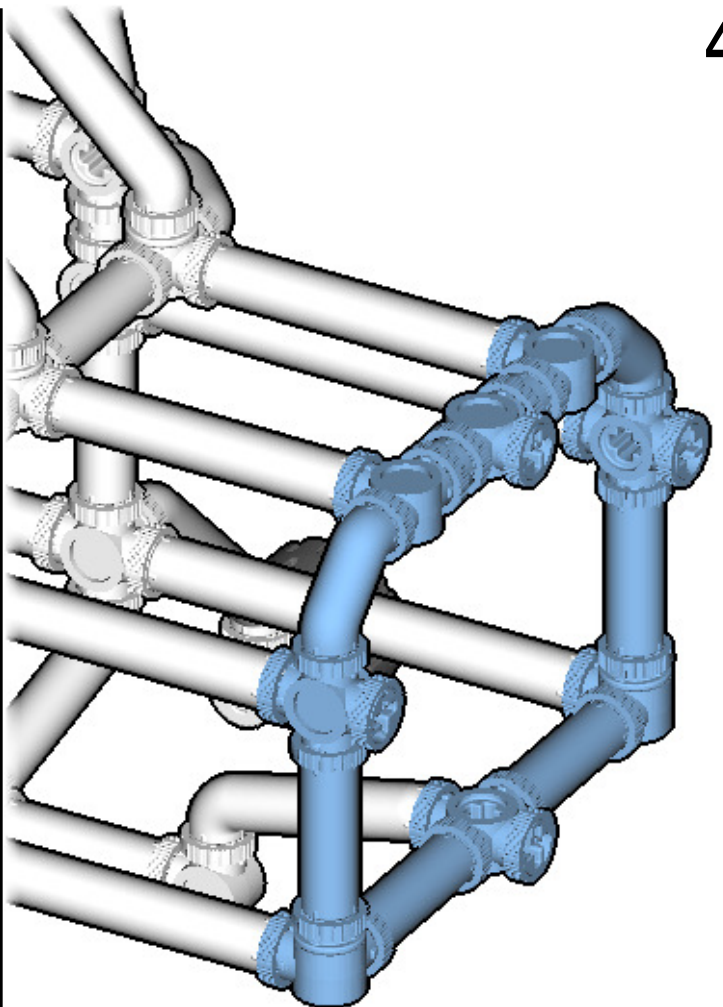
39



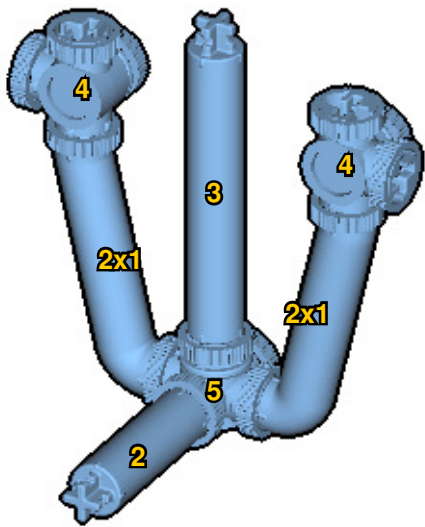
40



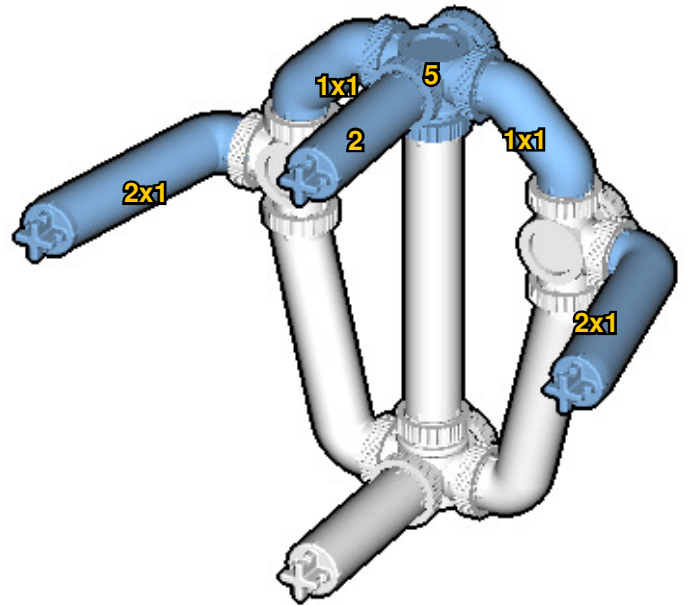
41



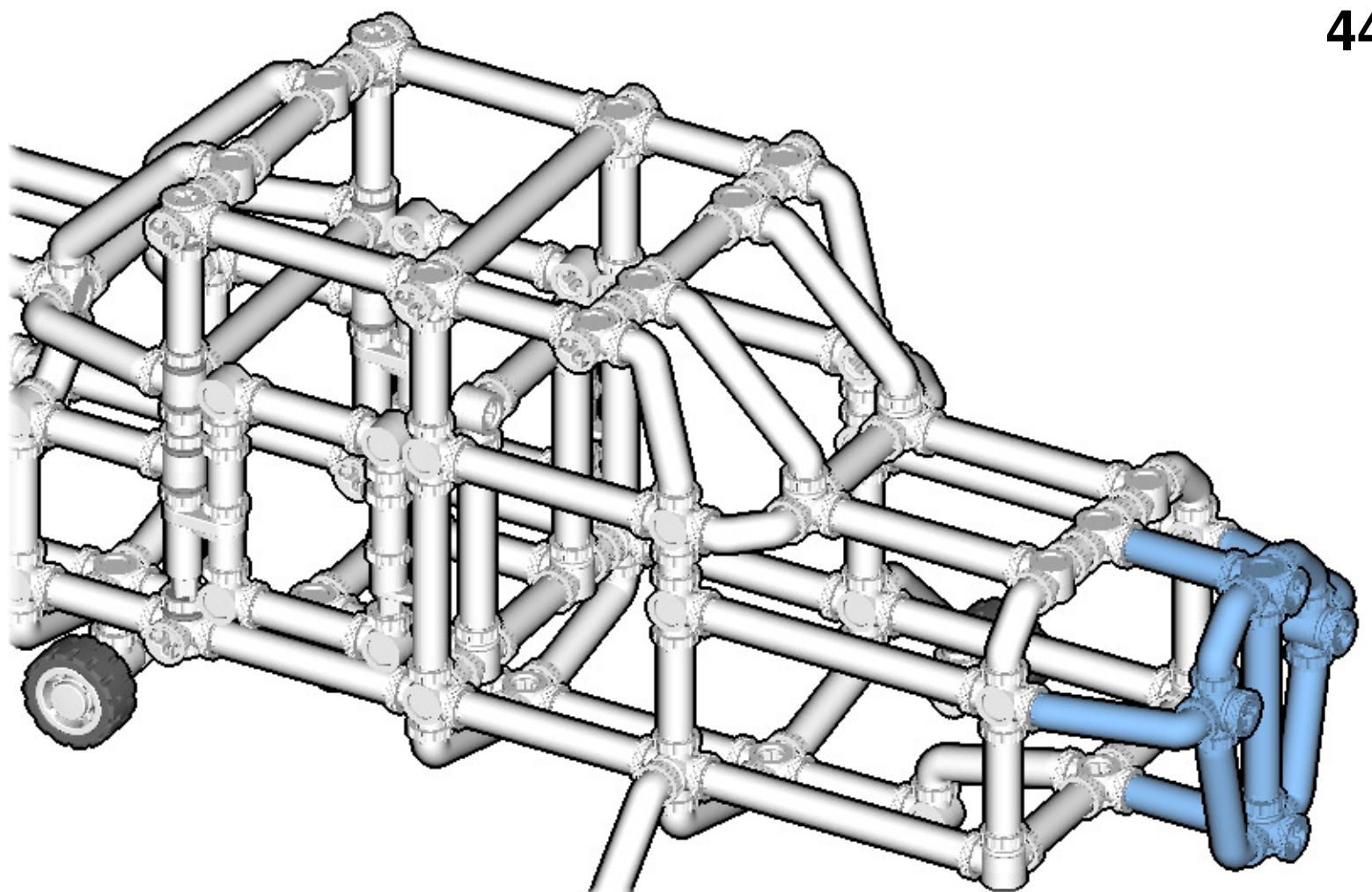
42

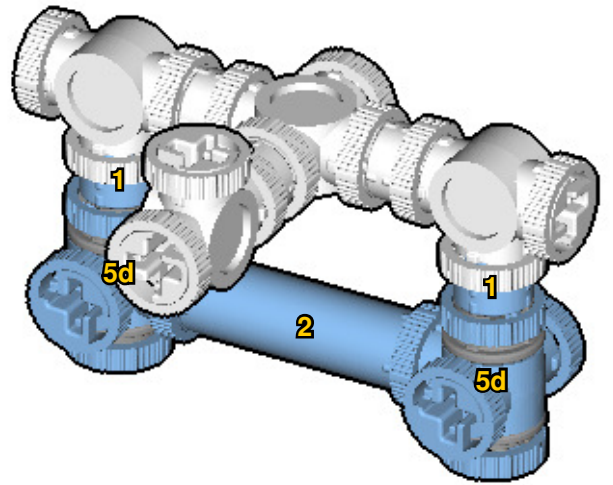
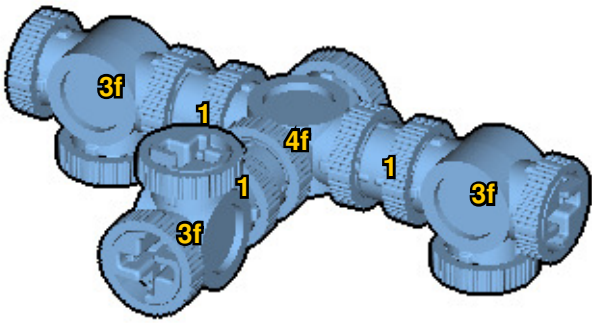
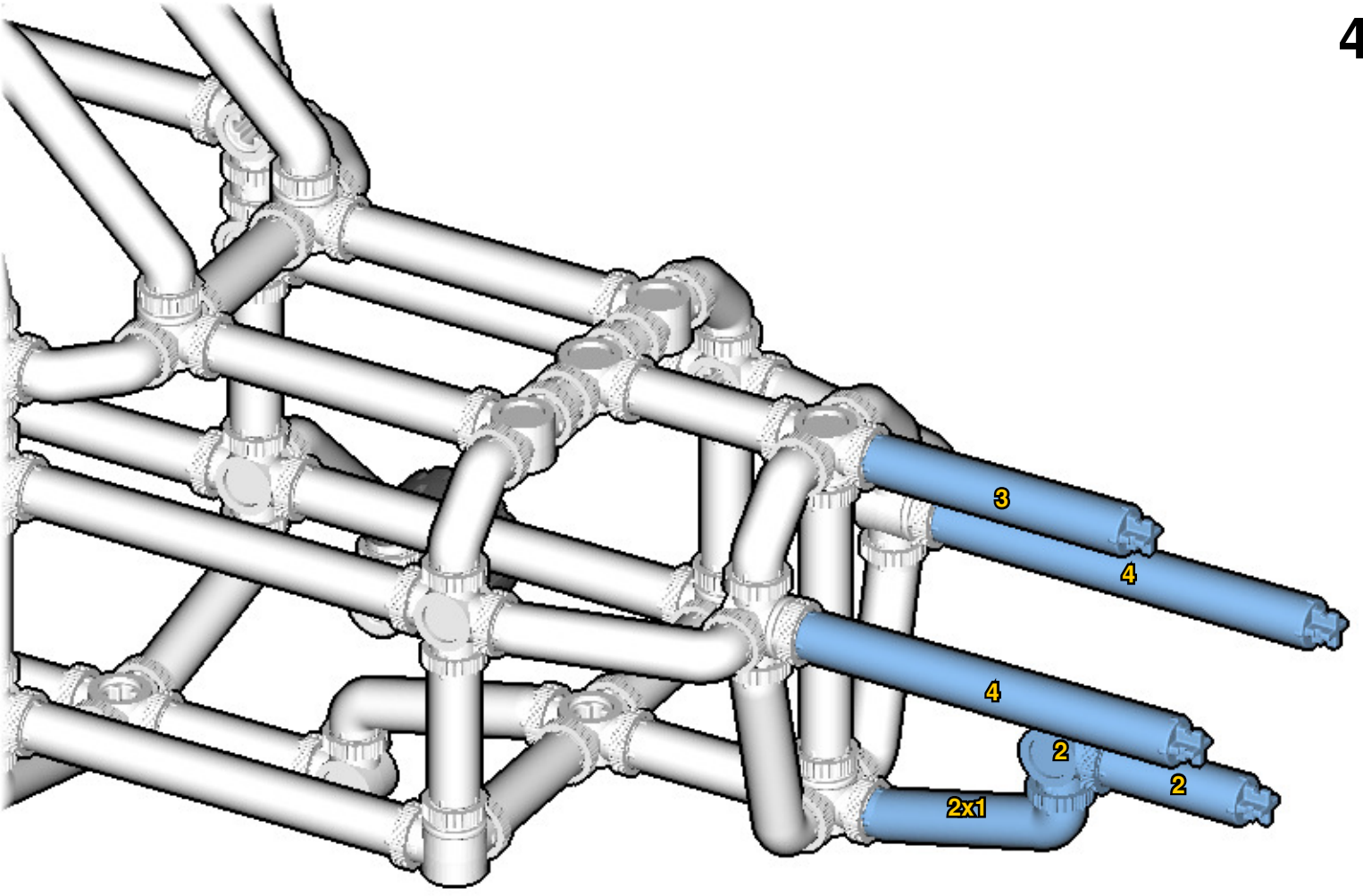


43

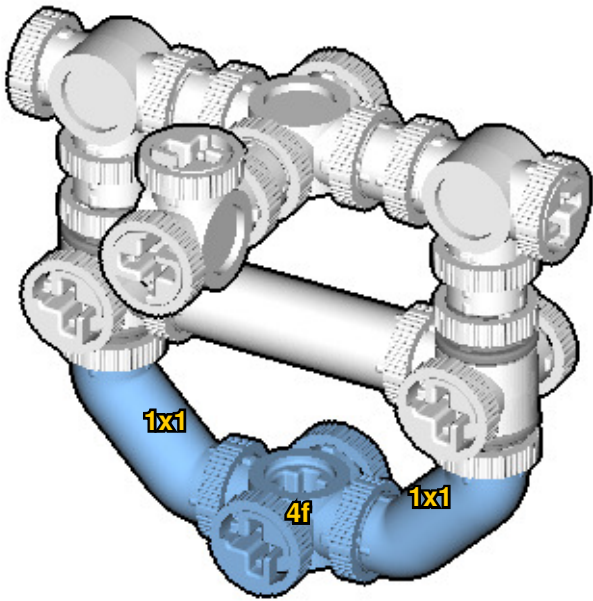


44

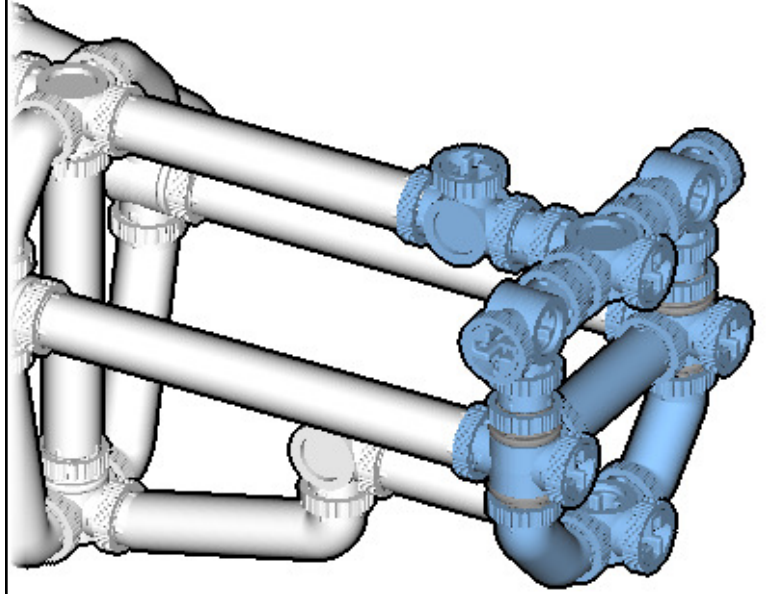




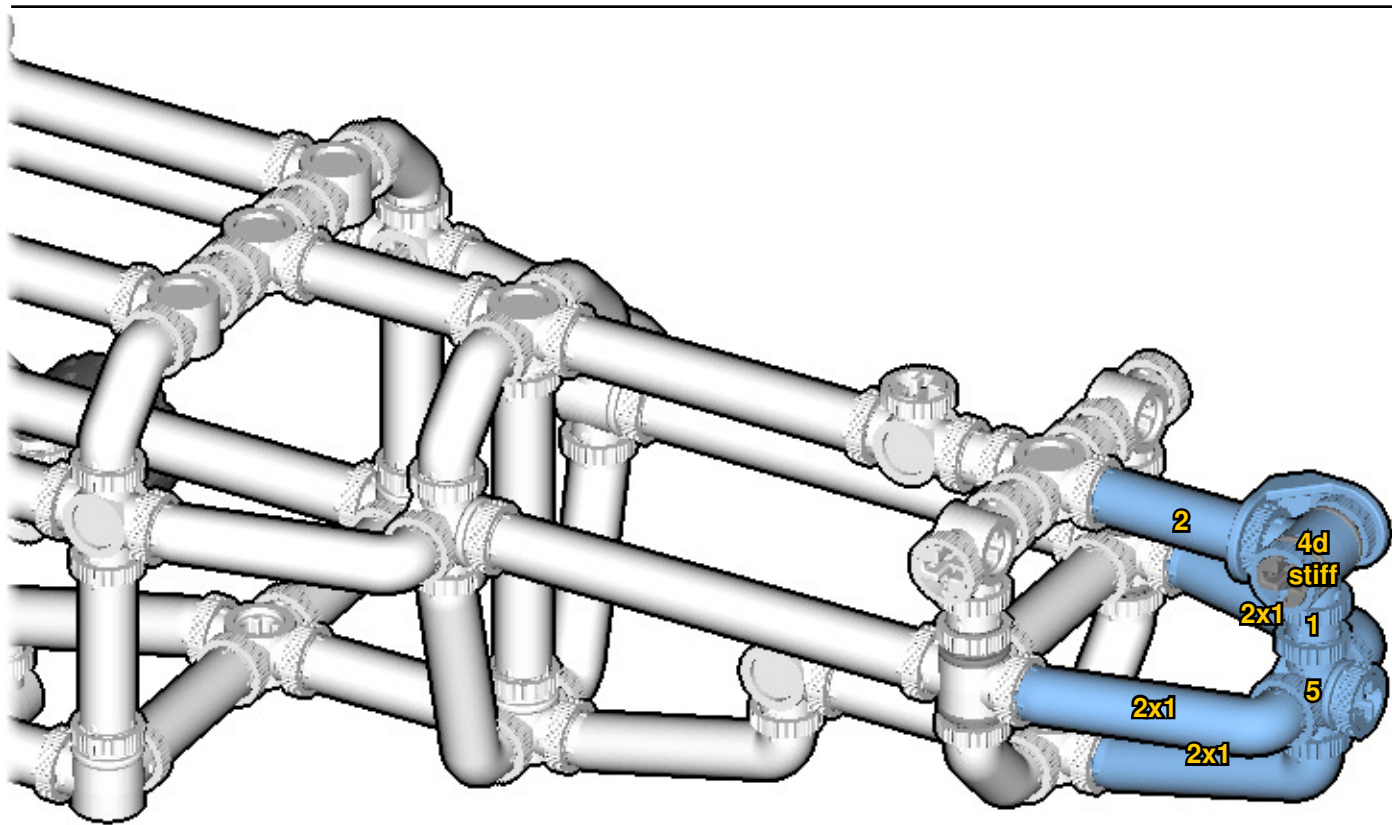
48

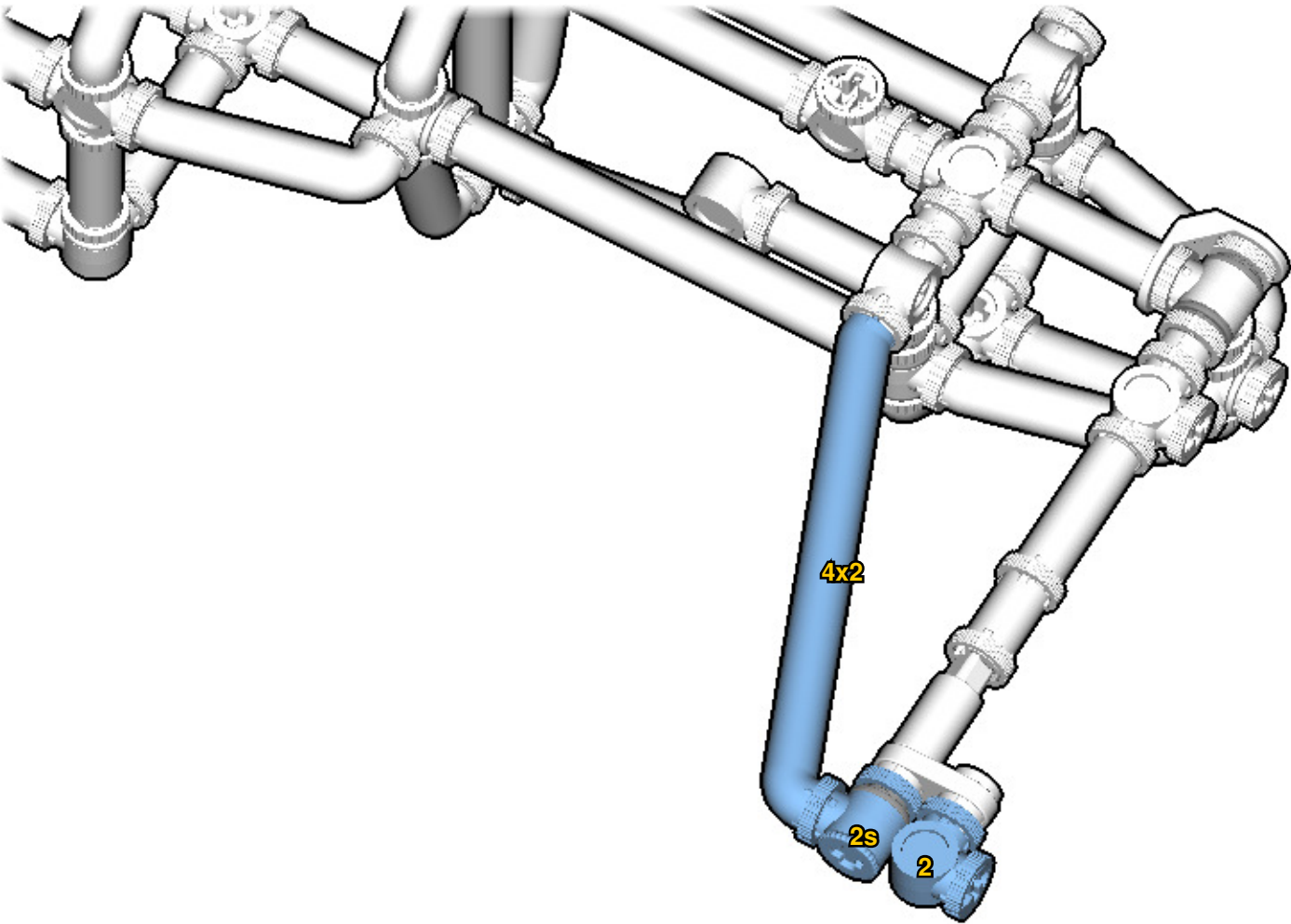
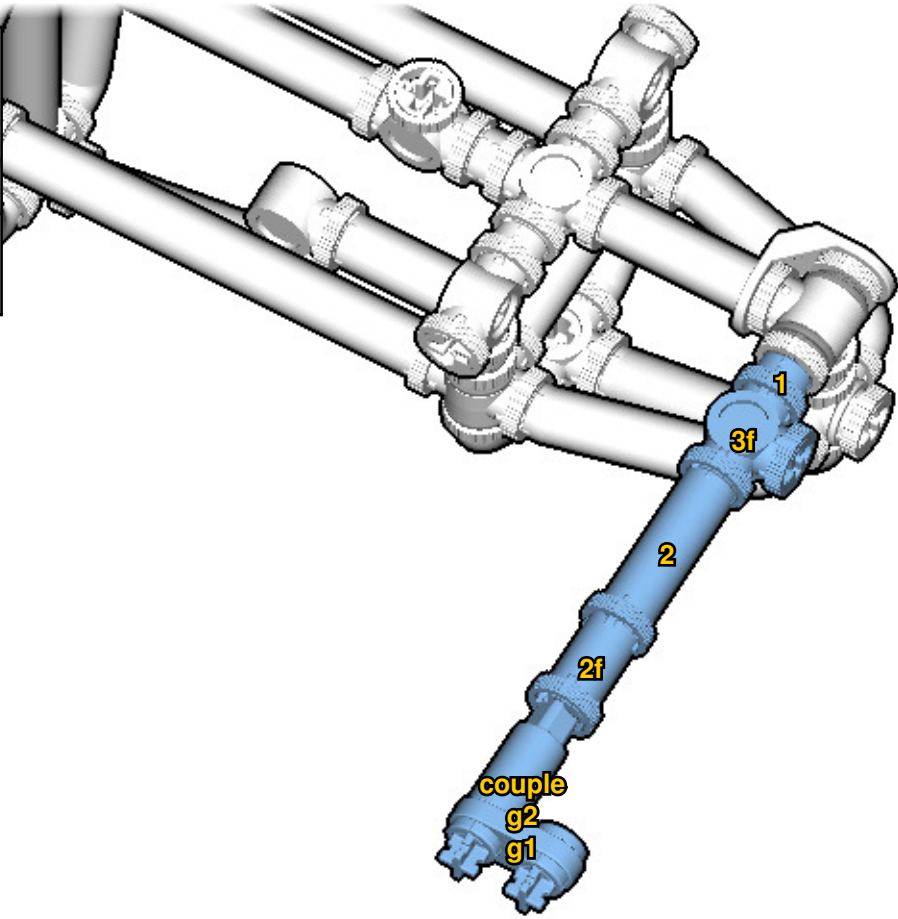
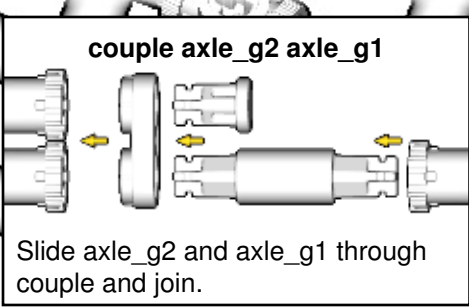


49

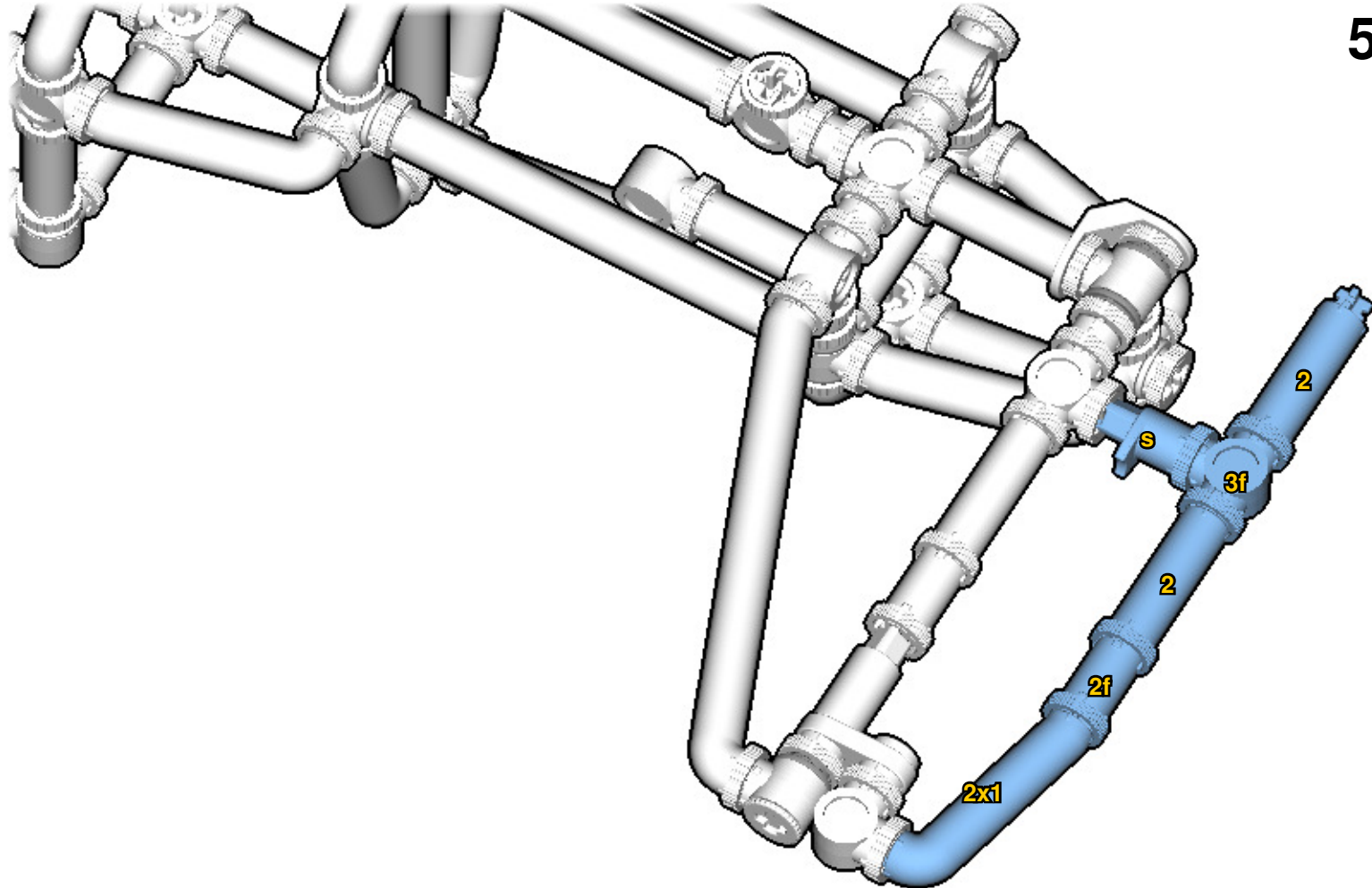


50

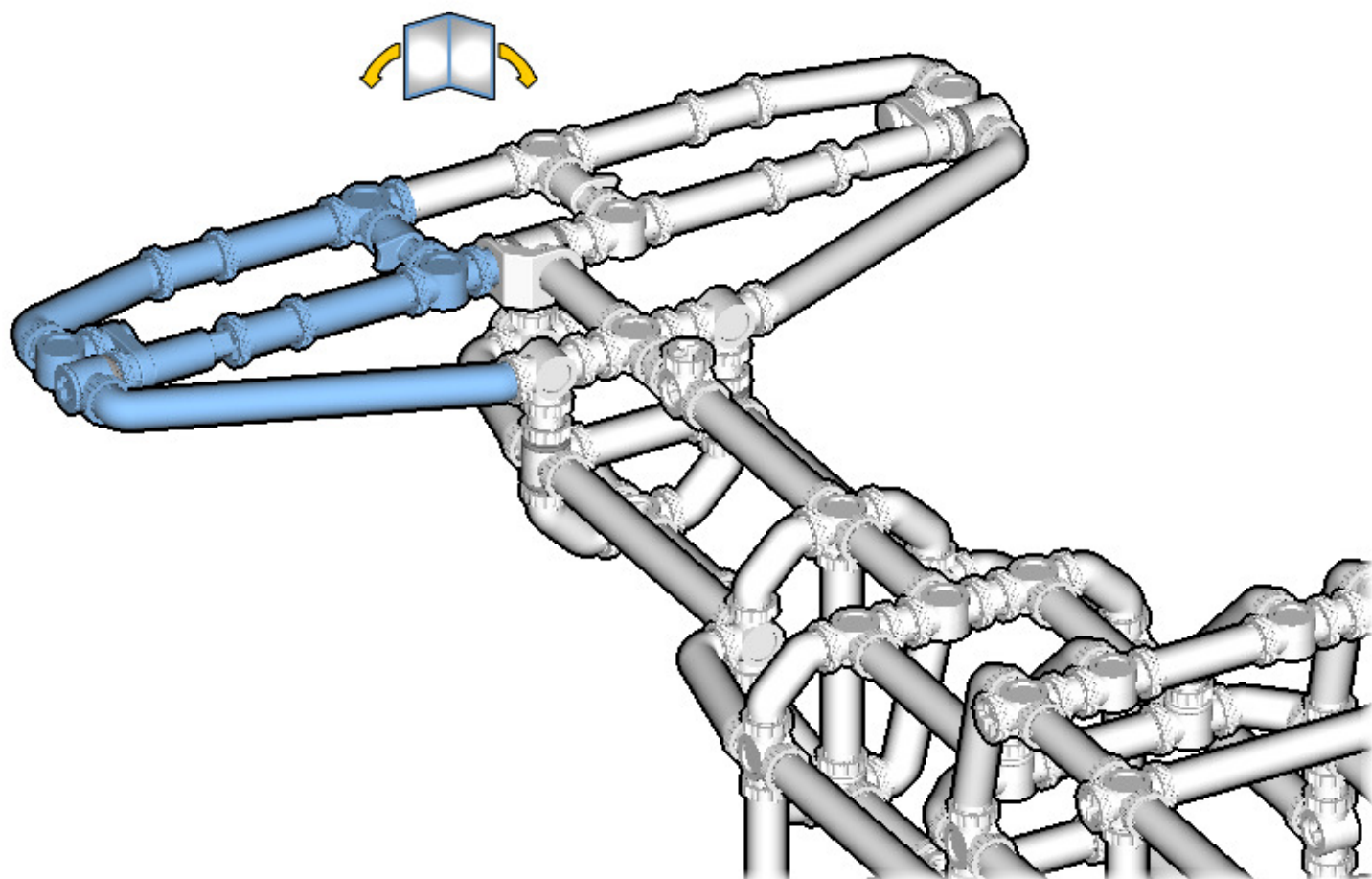




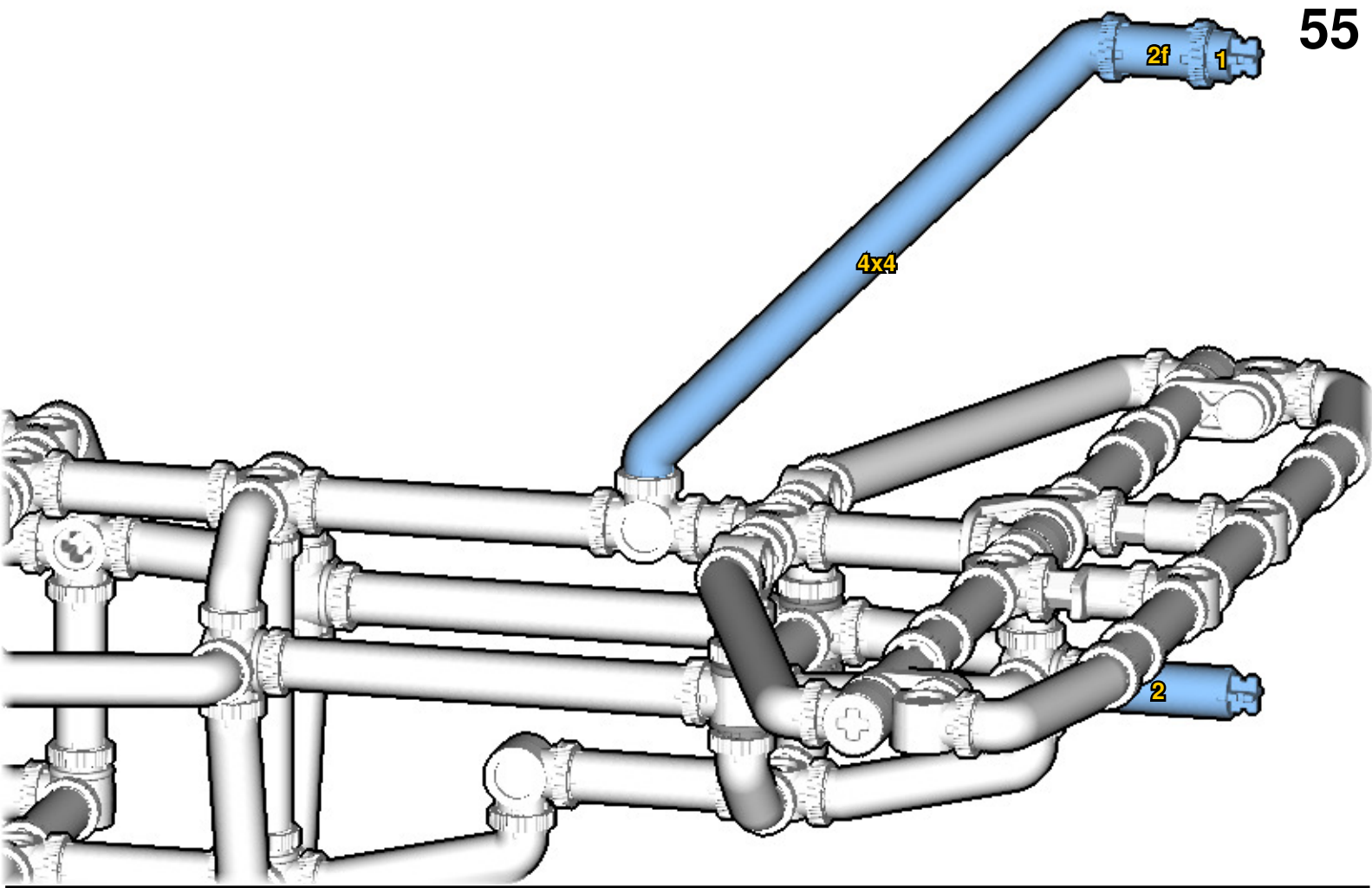
53



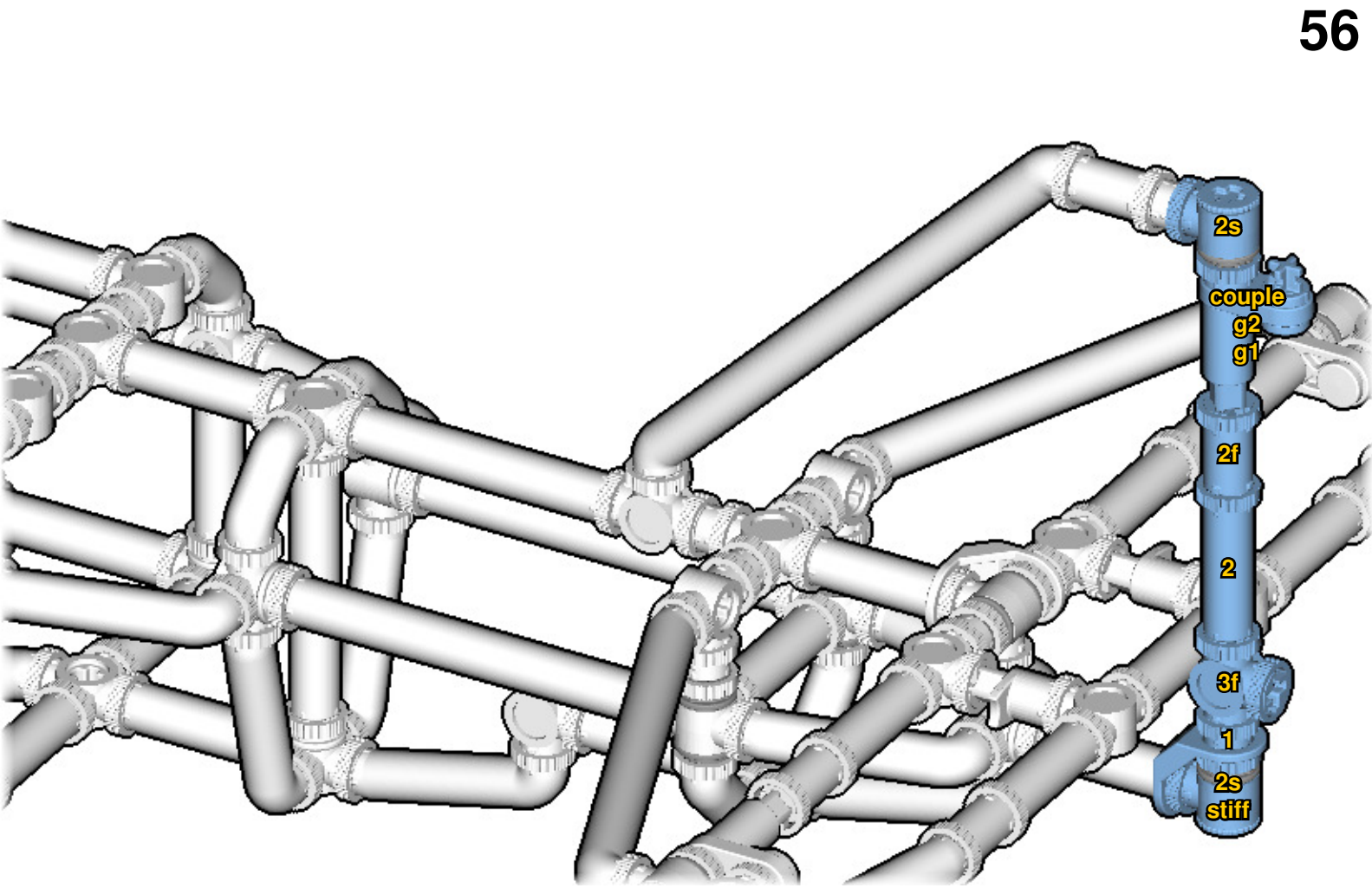
54



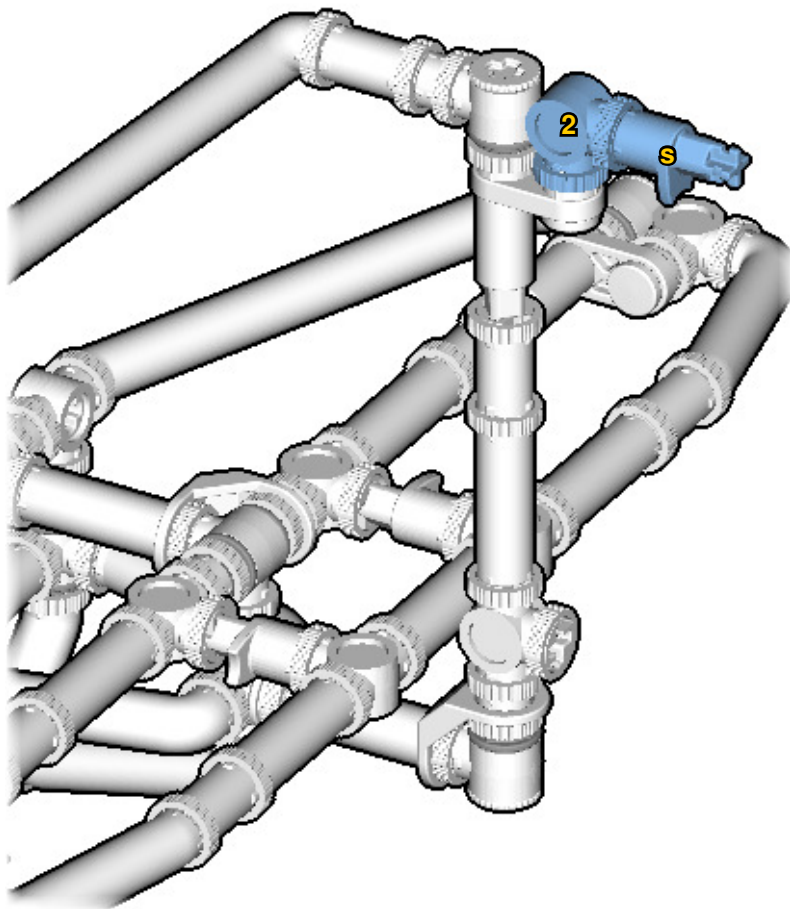
55



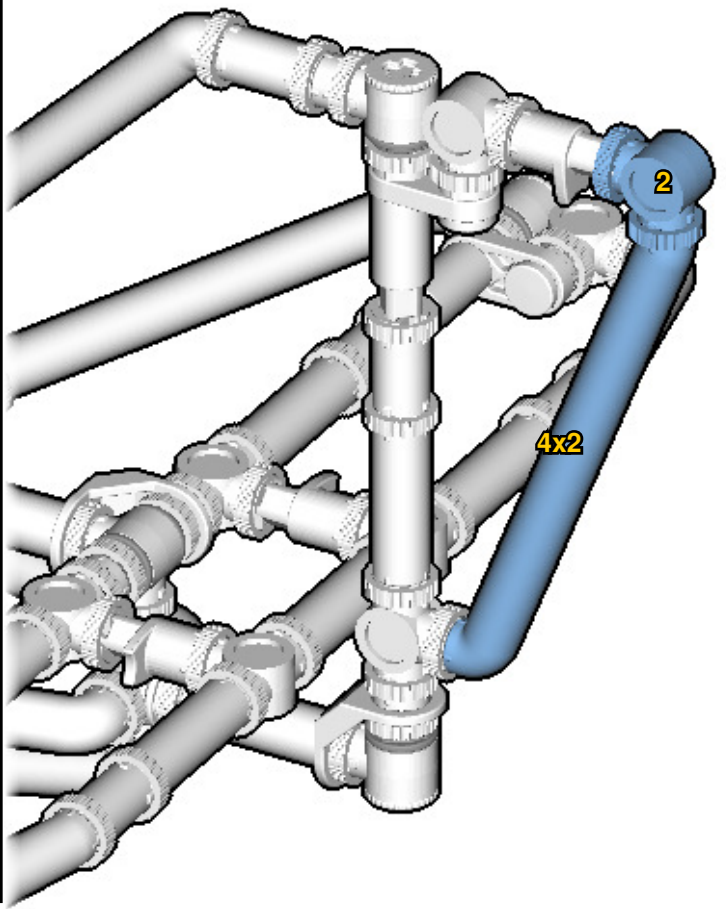
56



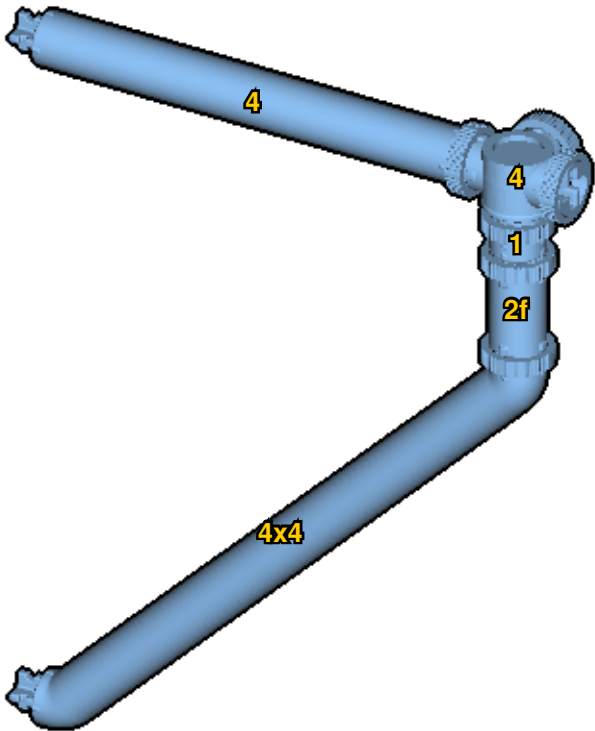
57



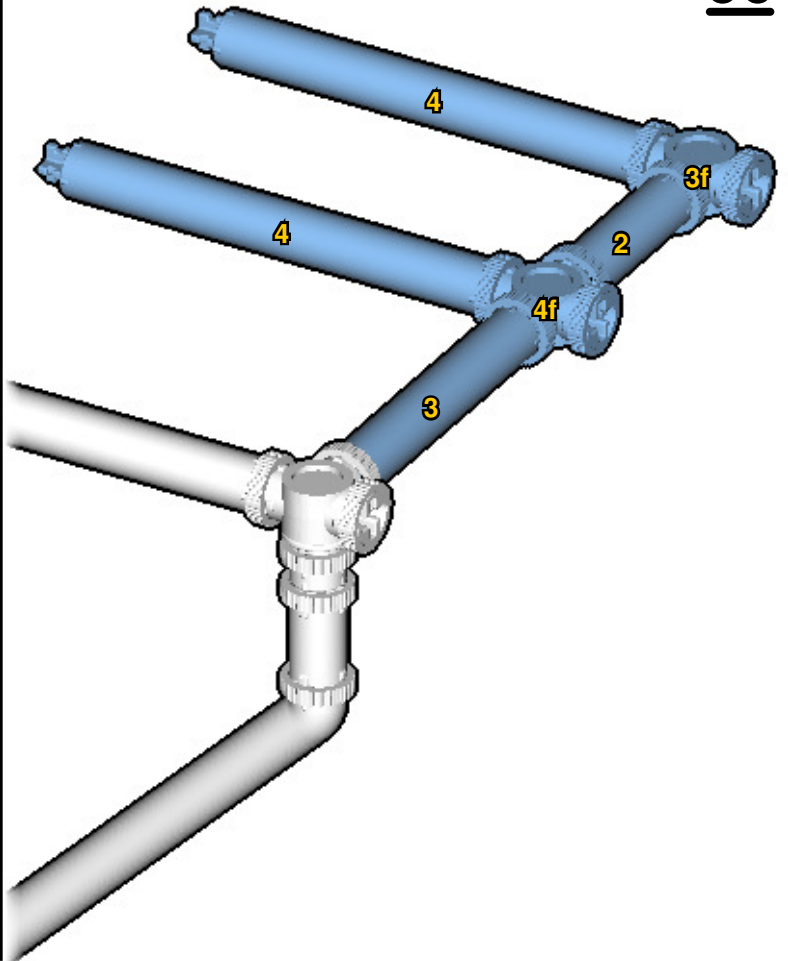
58



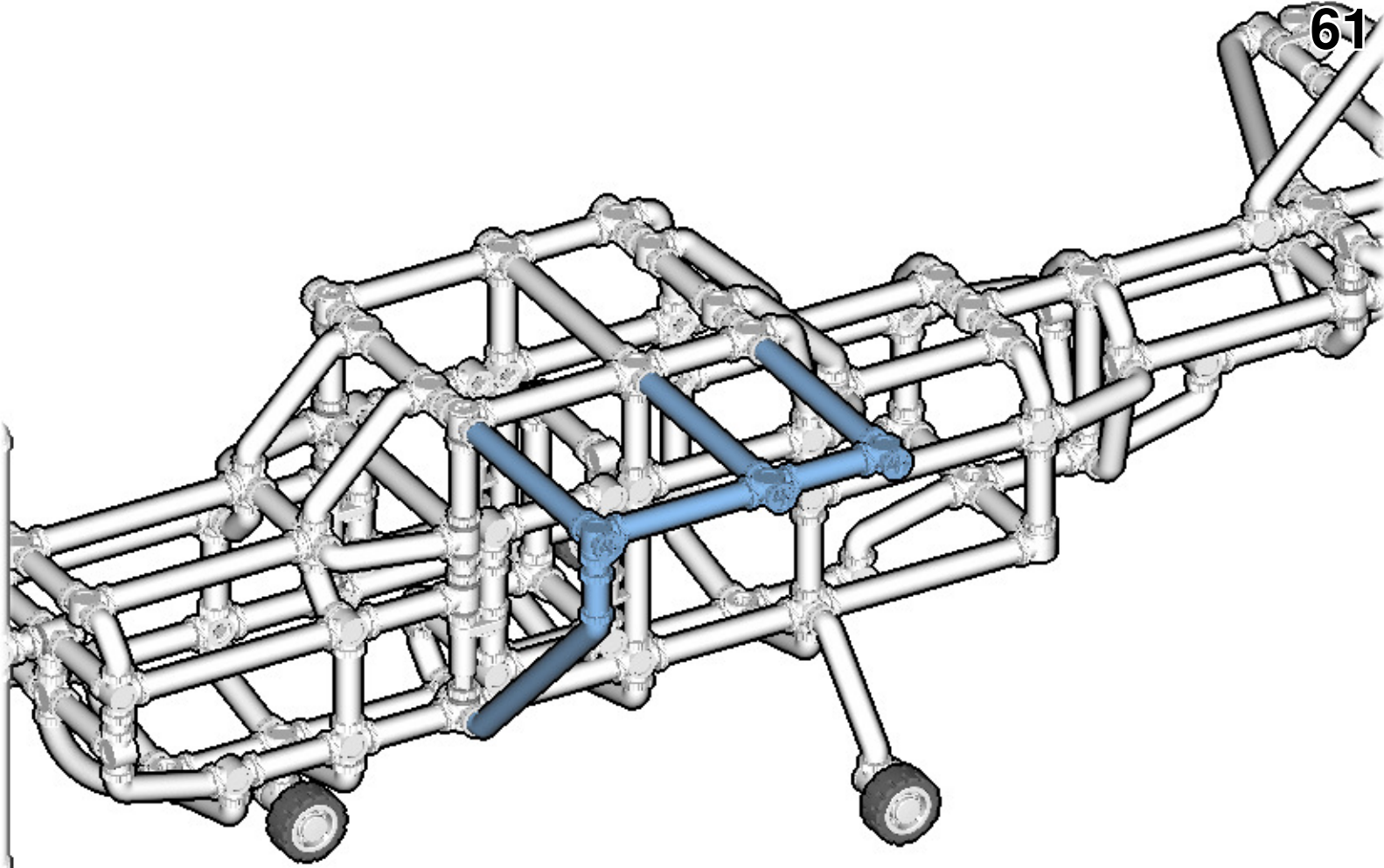
59



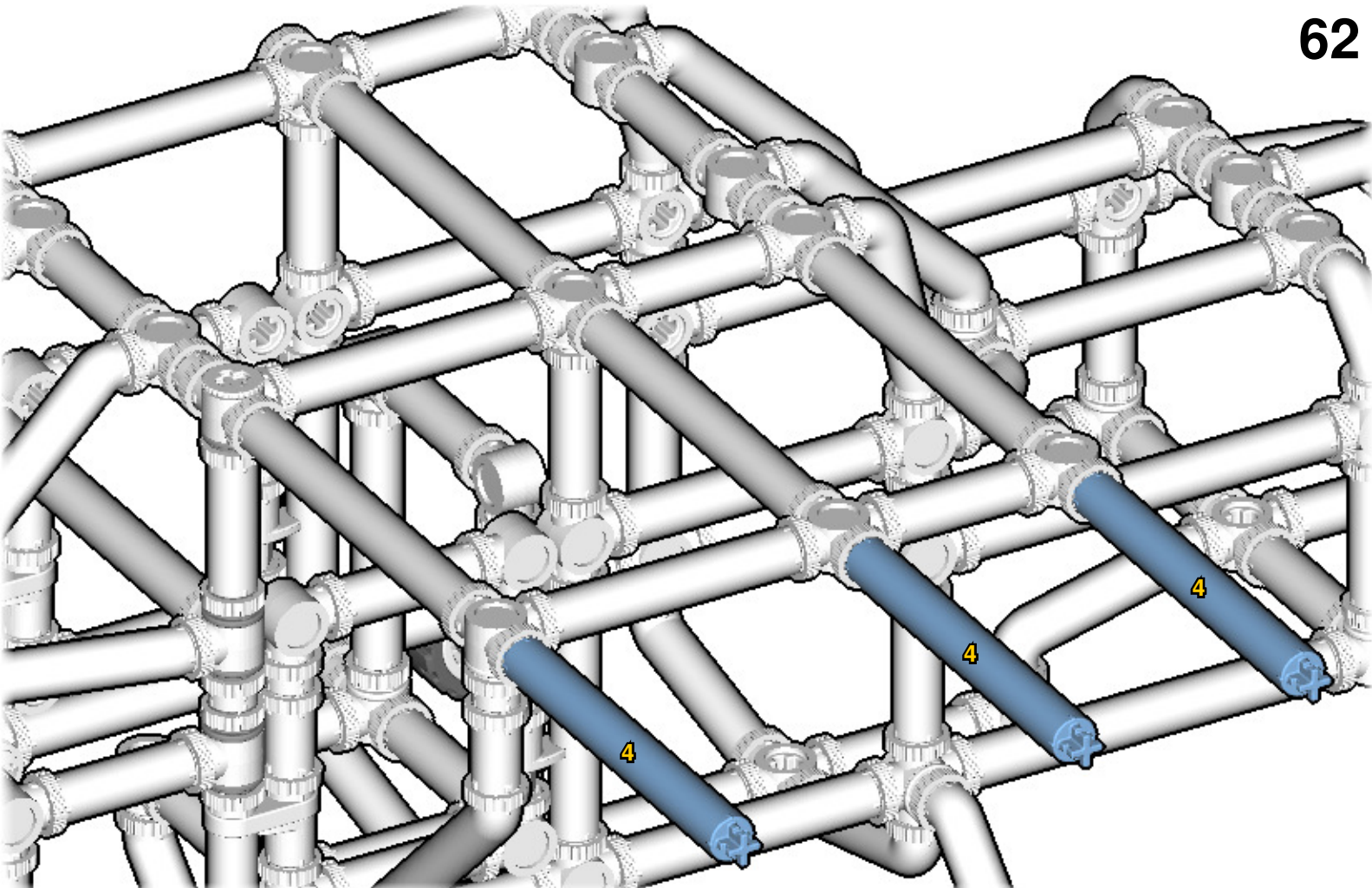
60



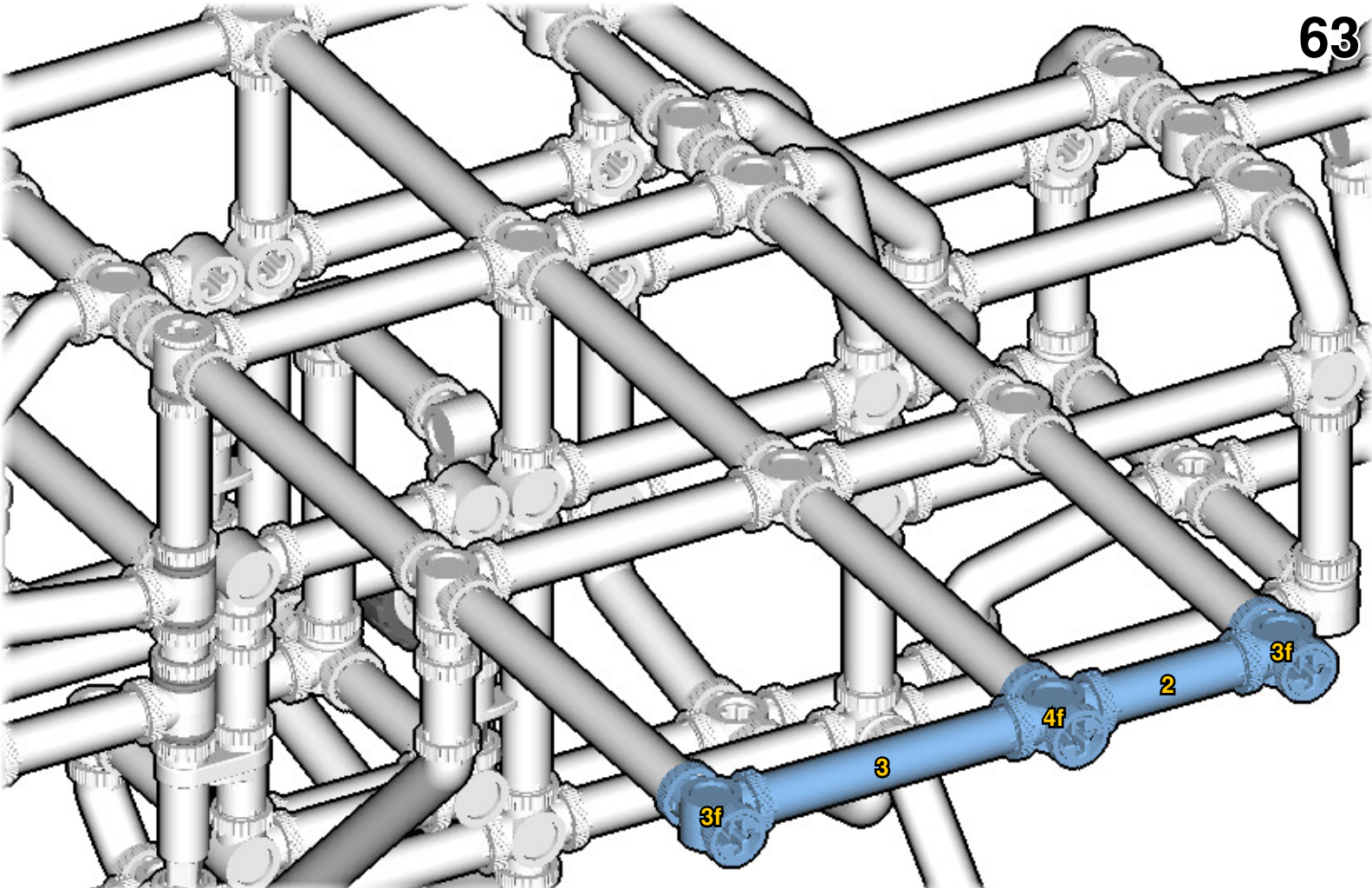
61



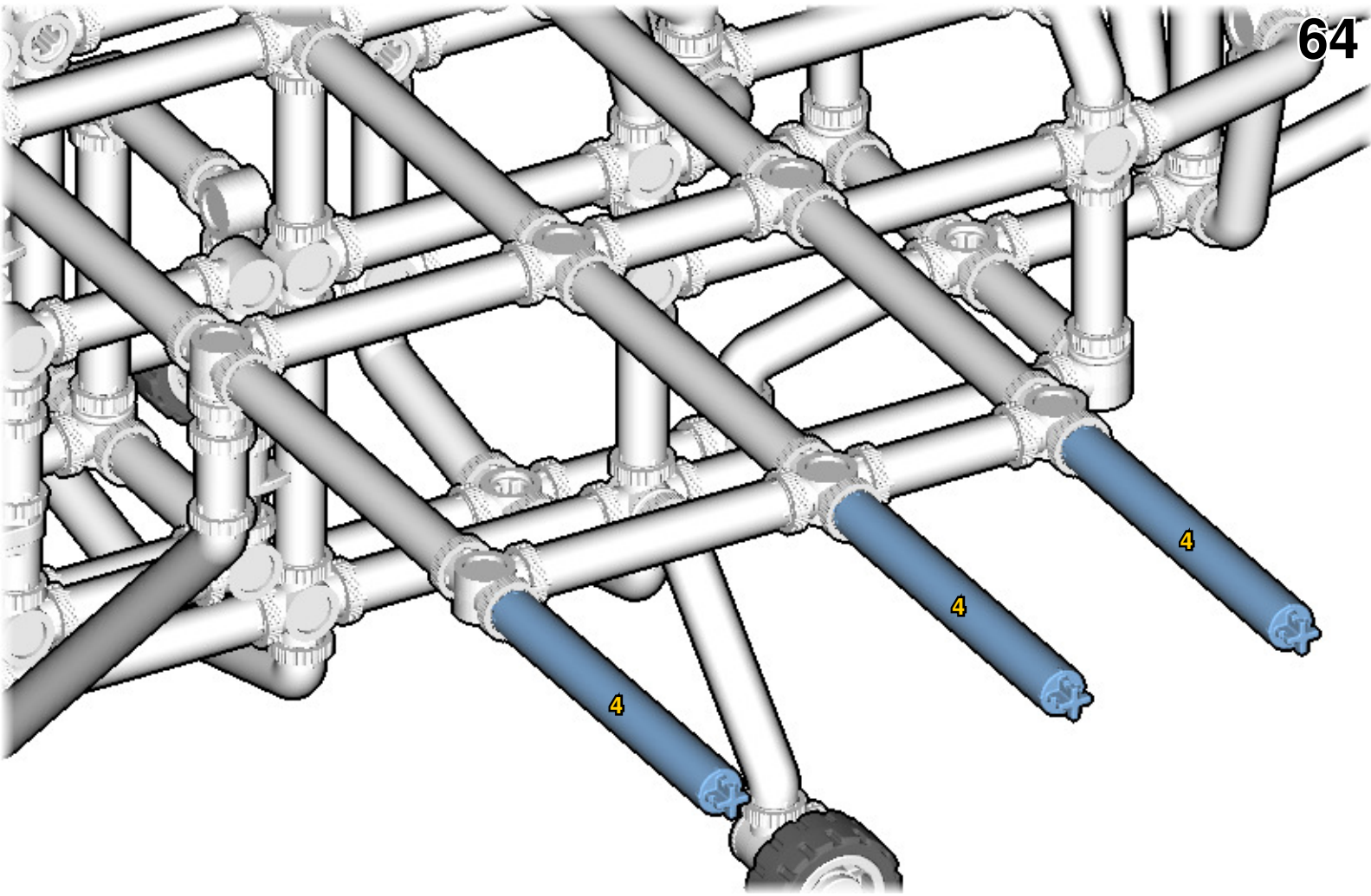
62

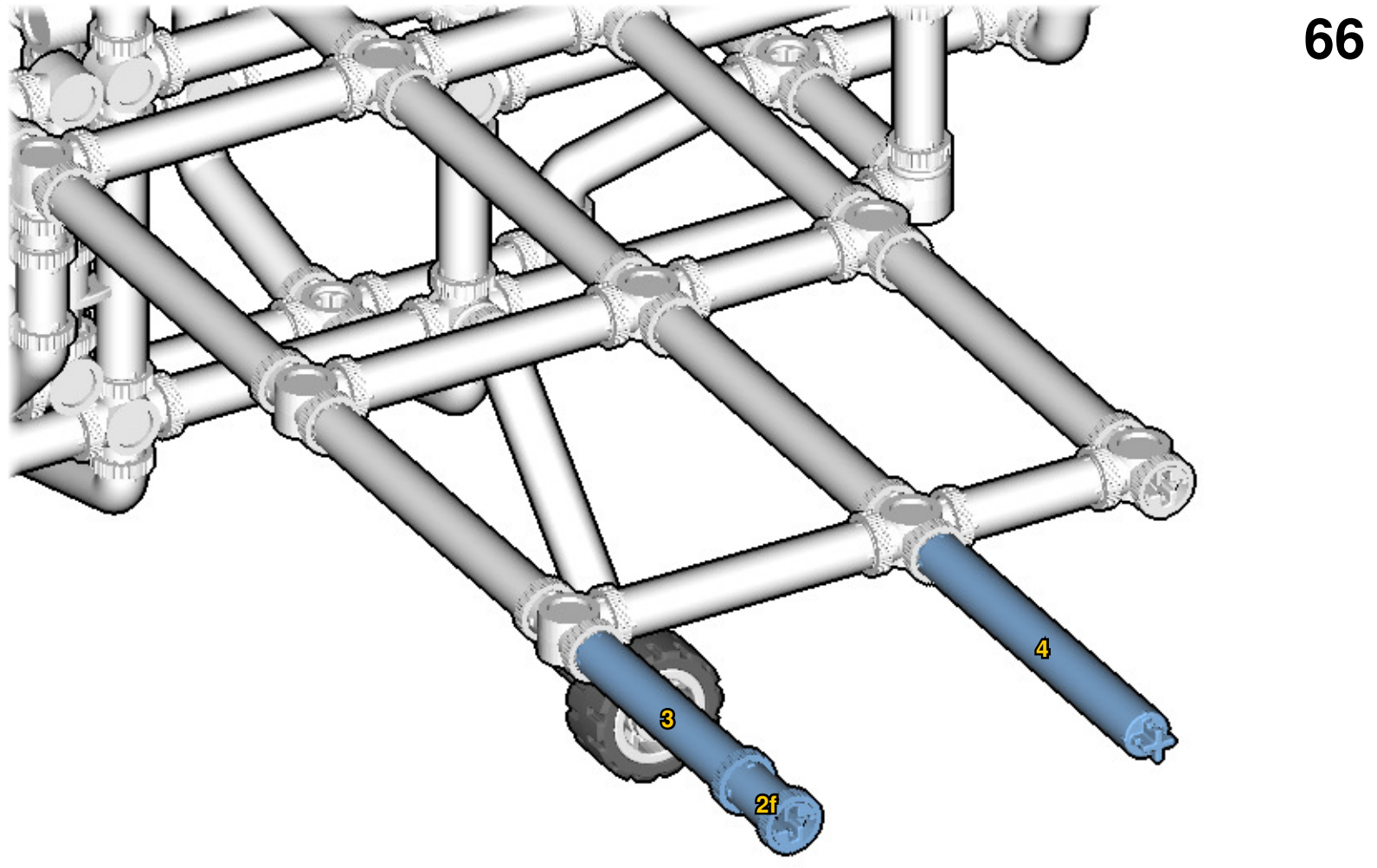
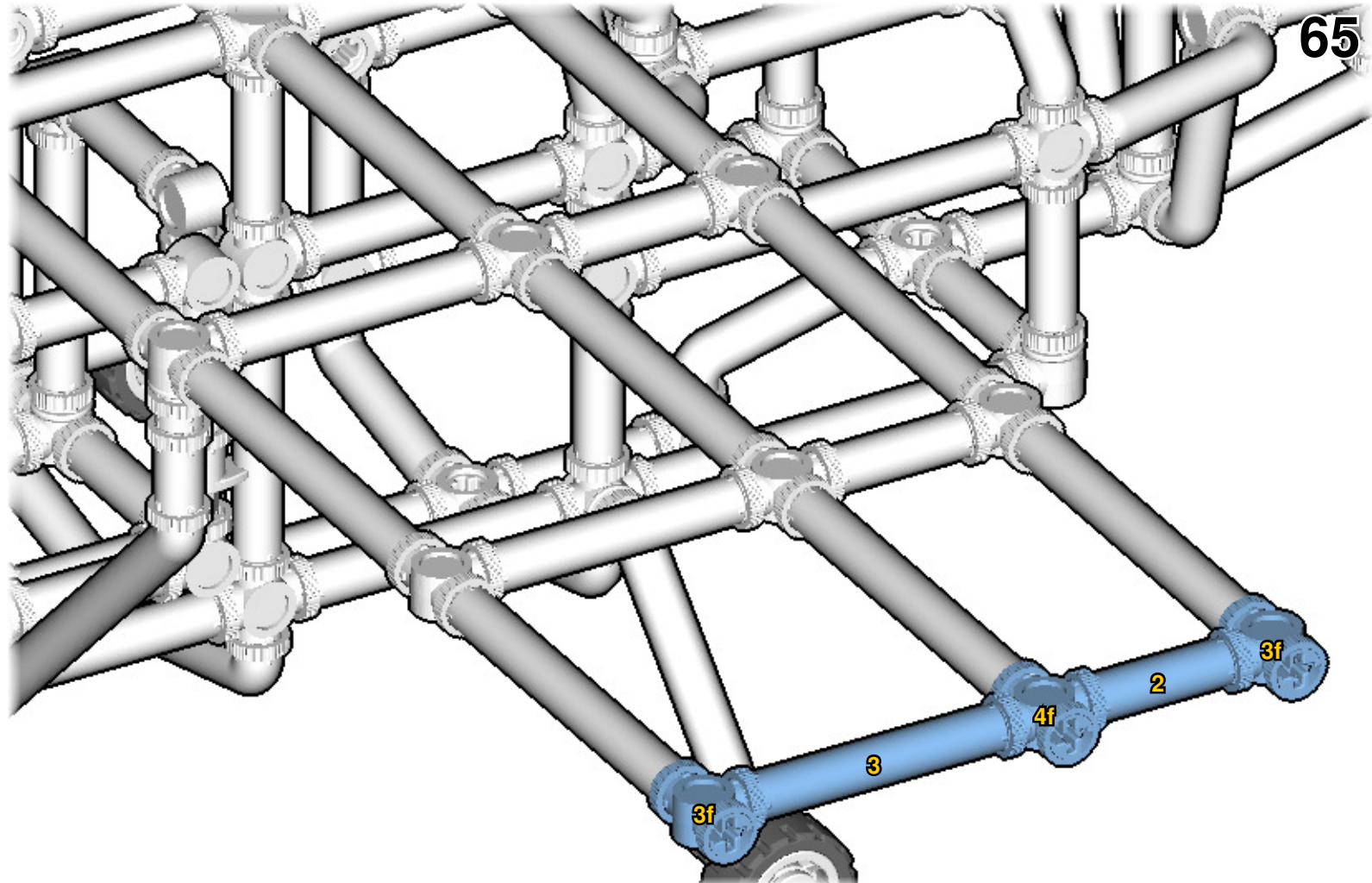


63

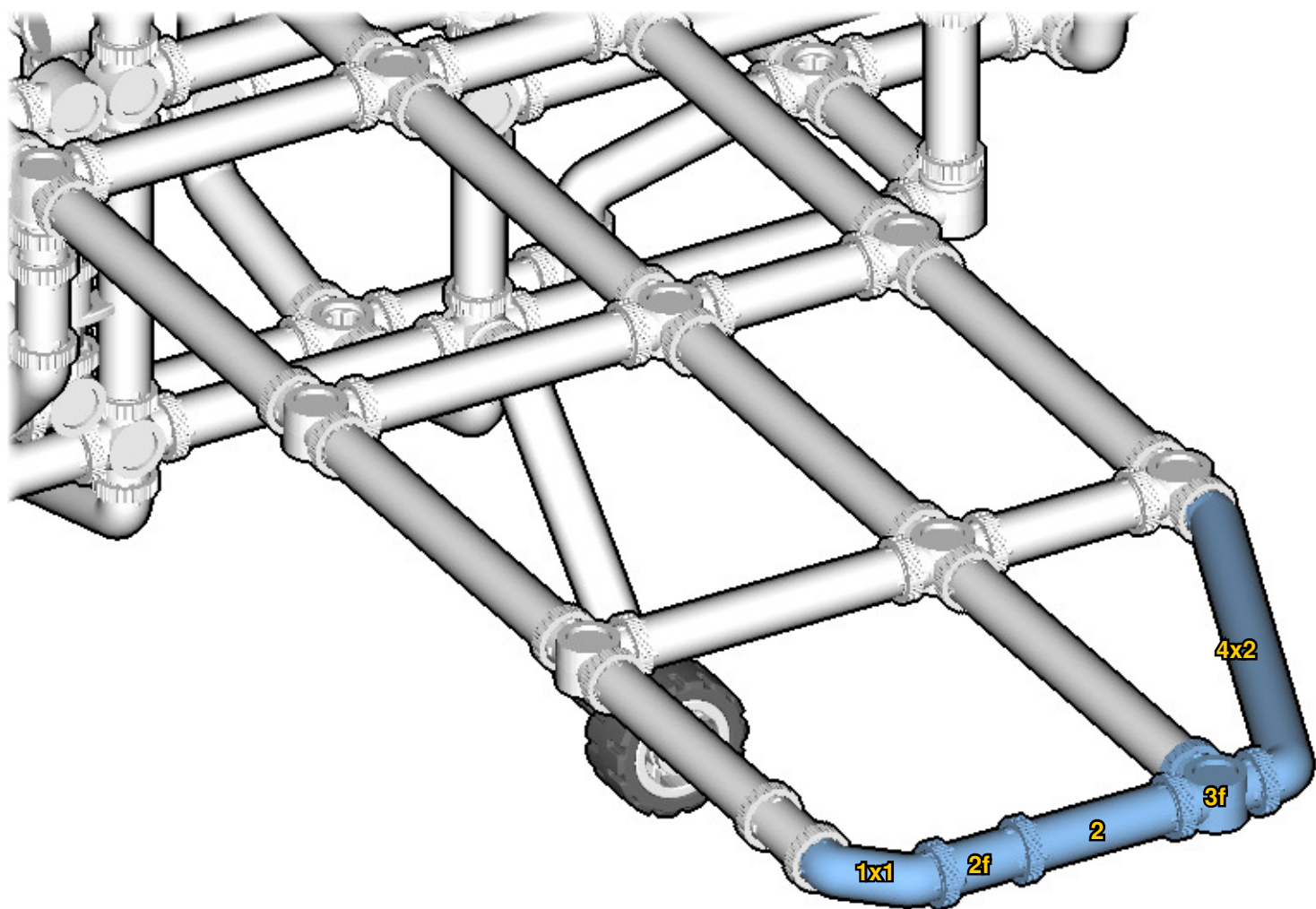


64

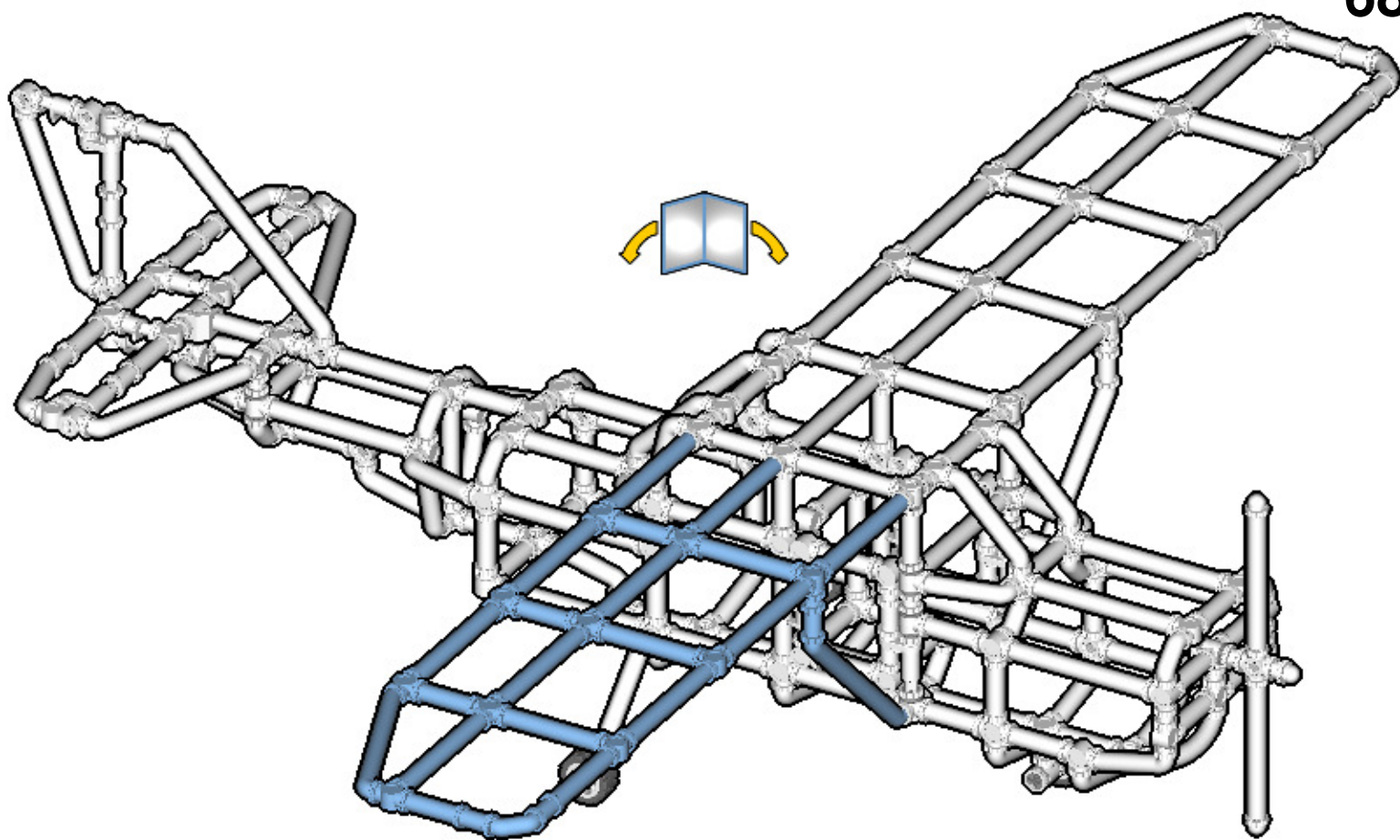




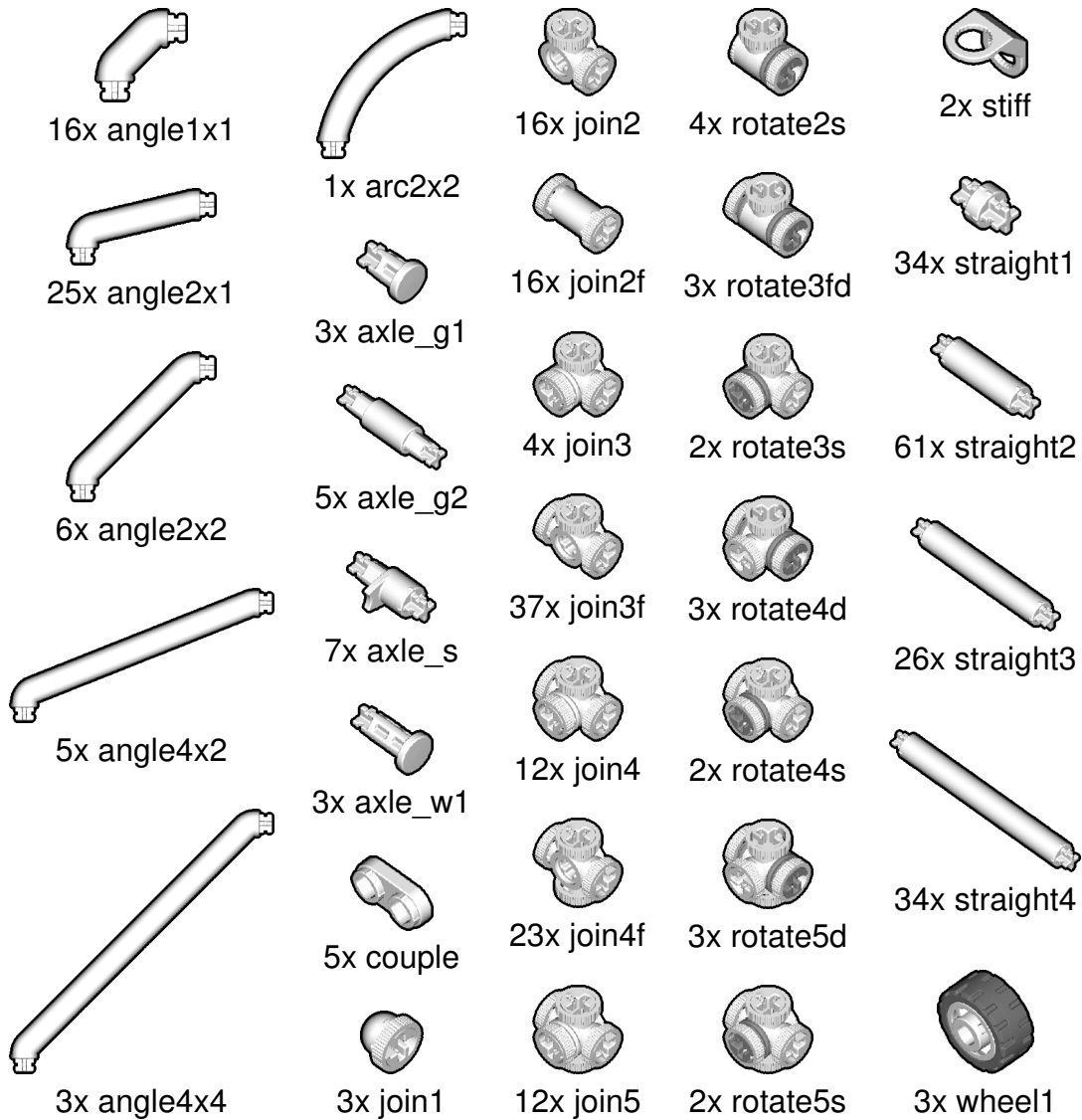
67



68



INVENTORY



ACTUAL SIZE

