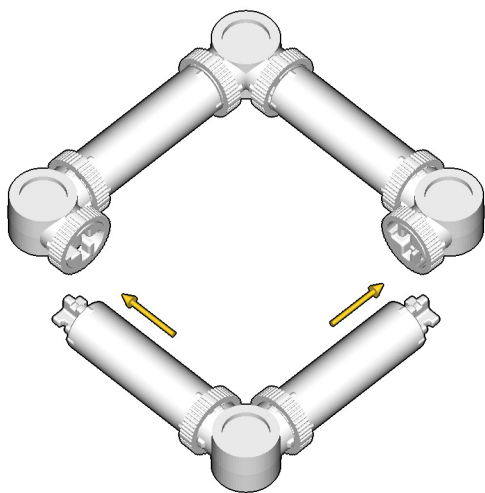


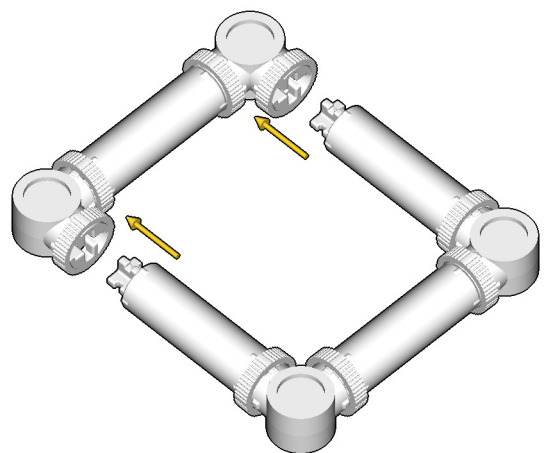
SIZE	2.6ft x 0.7ft x 0.4ft	PIECES	212
DESIGNER	Derek Sharman	MADE IN	U.S.A.

# UTILITY HELICOPTER

⚠ WARNING: Small parts. Age 12+. Handle responsibly. U.S. Patent 9,086,087.

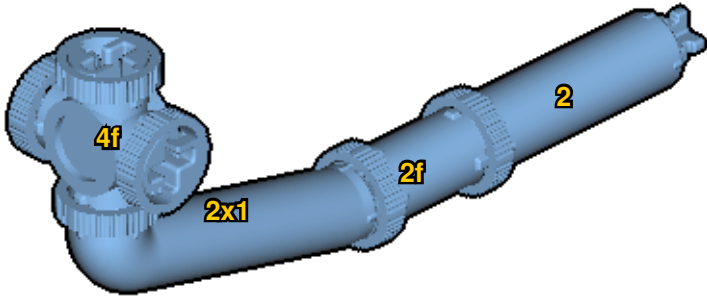


Wrong  
Connecting/Disconnecting Two Directions



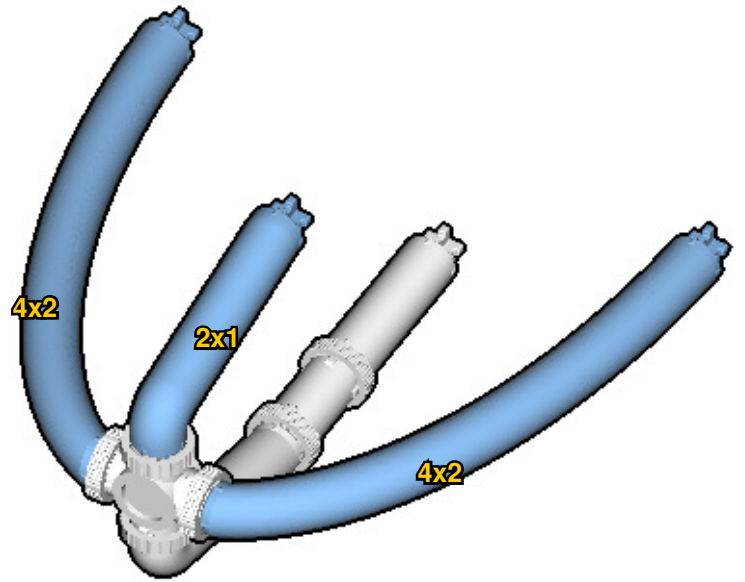
Right  
Connecting/Disconnecting One Direction

1



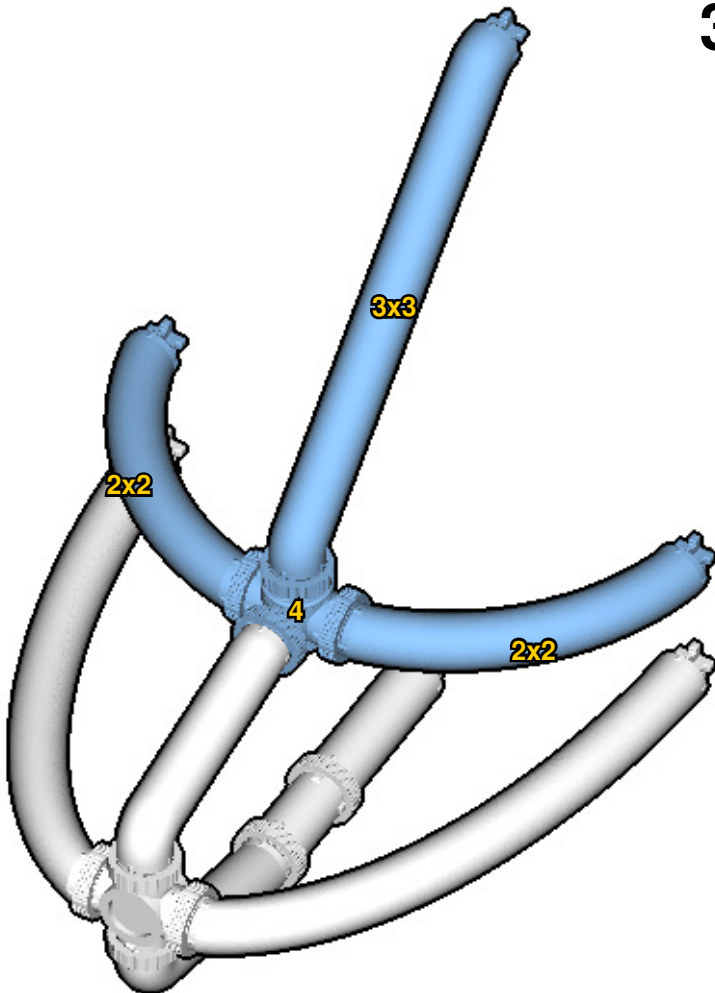
New pieces are drawn blue. Old pieces are drawn white.  
See back for piece names.

2



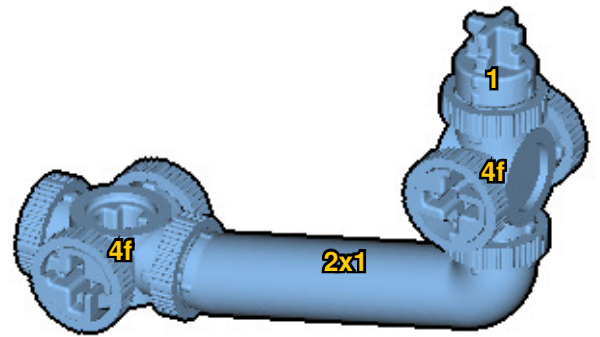
Connect new pieces together before connecting to old pieces.

3

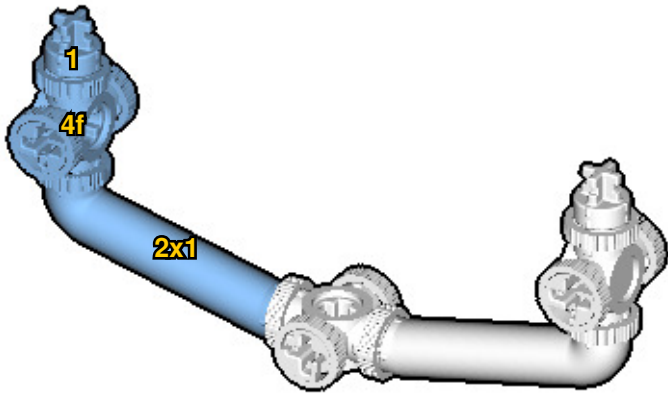


4

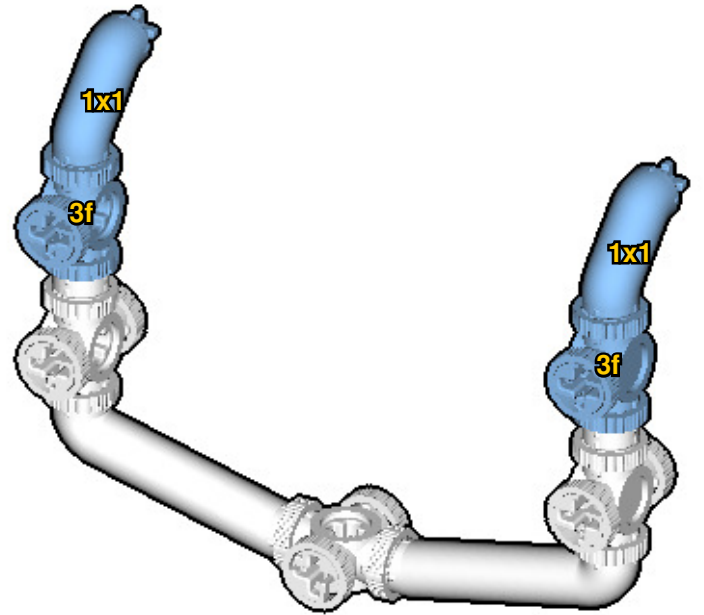
Submodel begins →



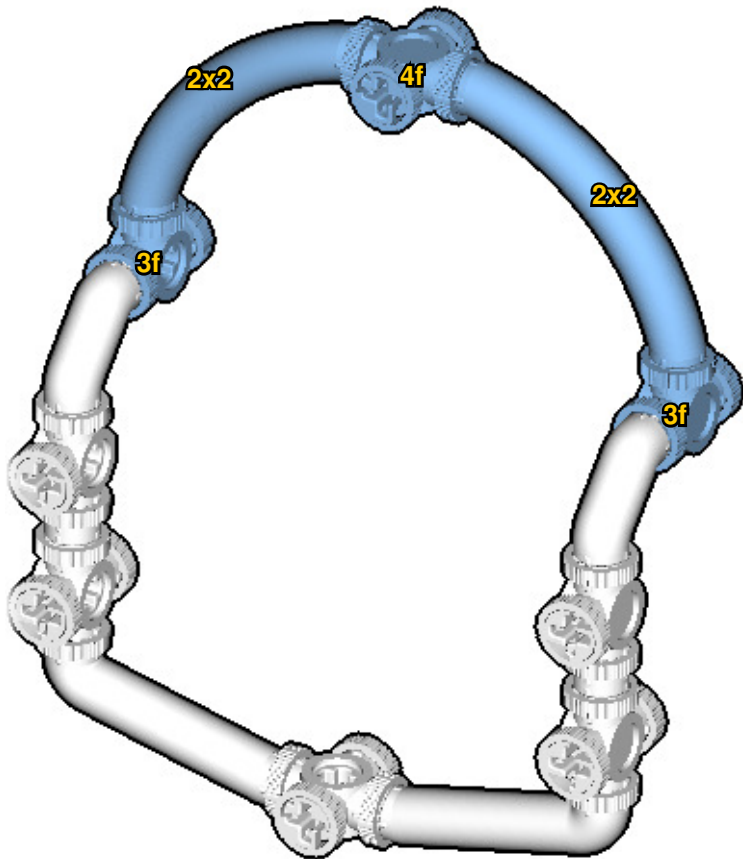
5



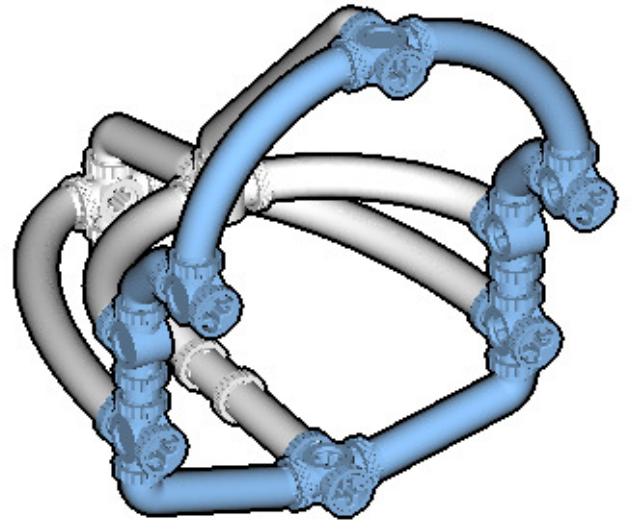
6



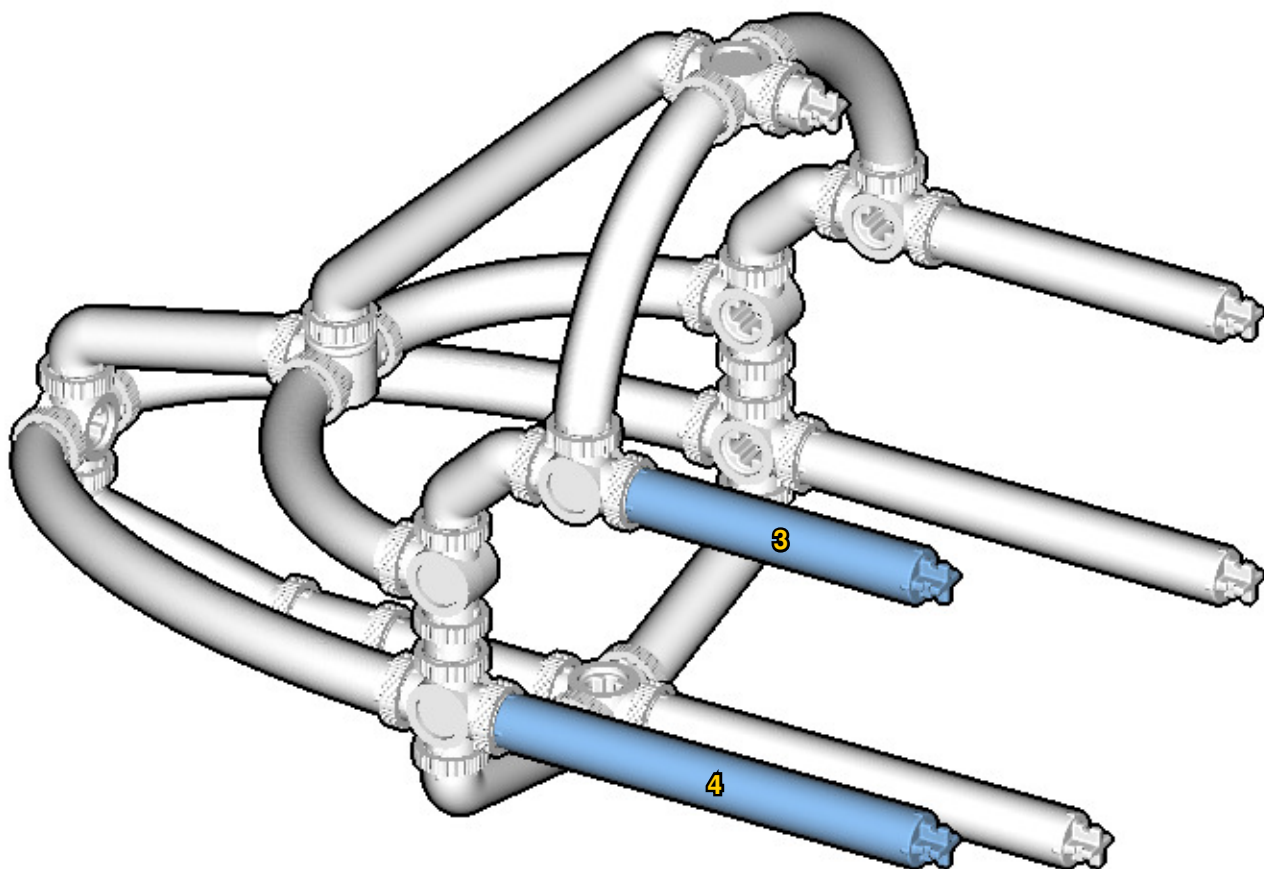
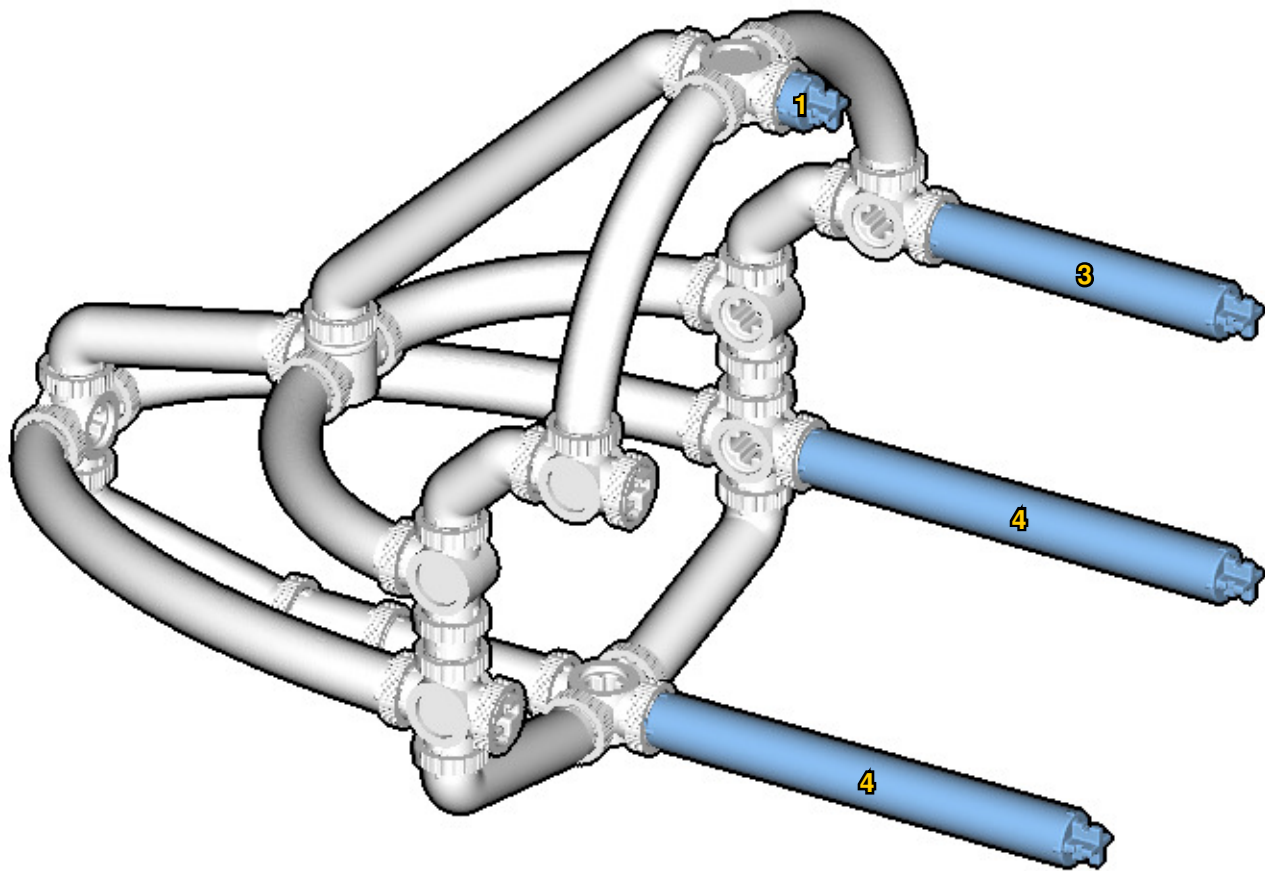
7



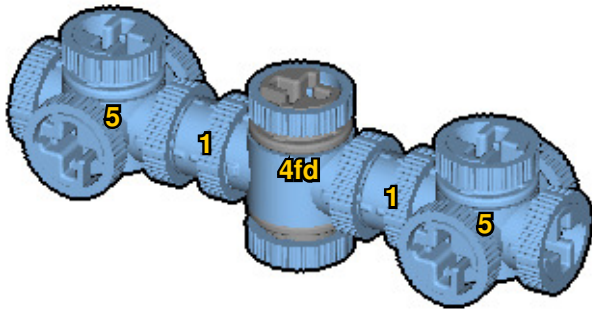
Submodel ends → 8



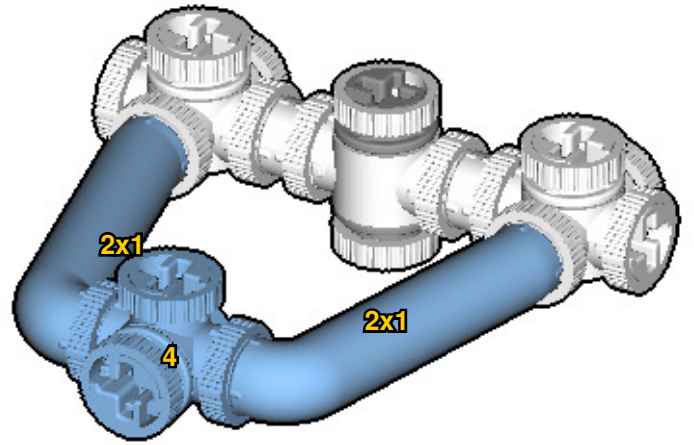
Connect submodel to model.



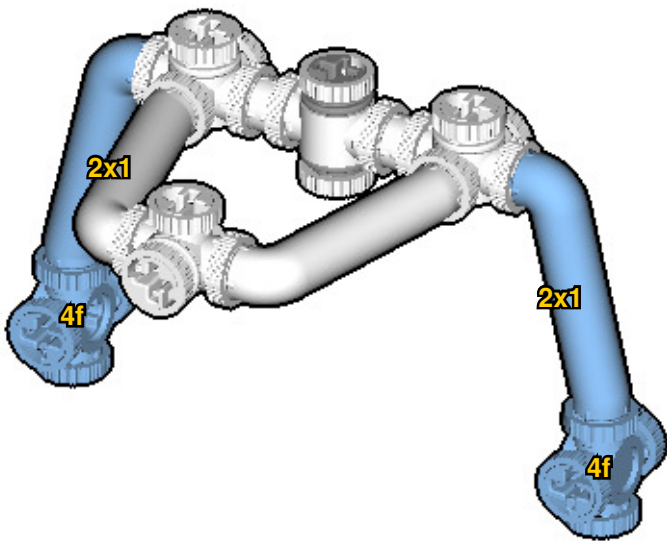
11



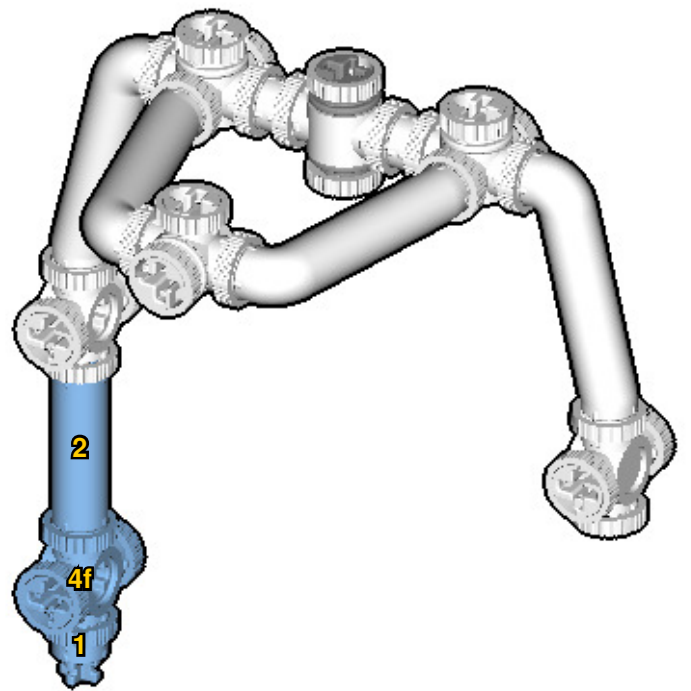
12



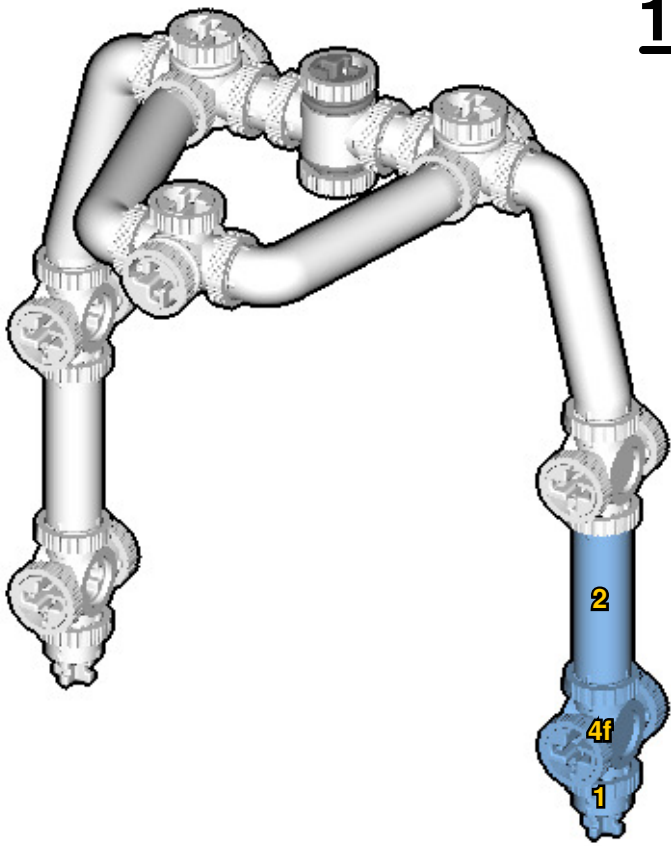
13



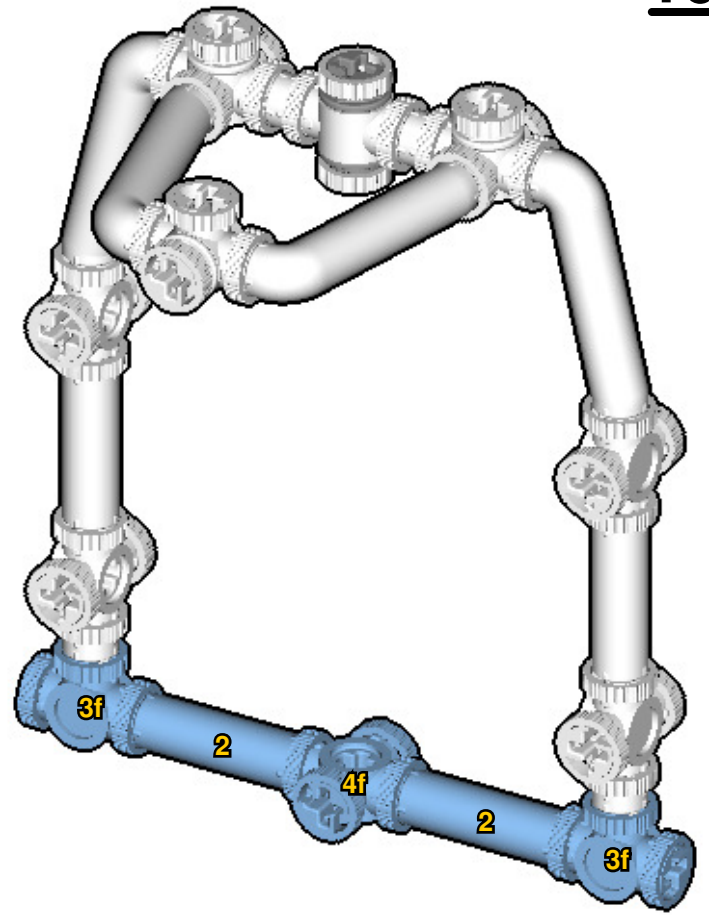
14



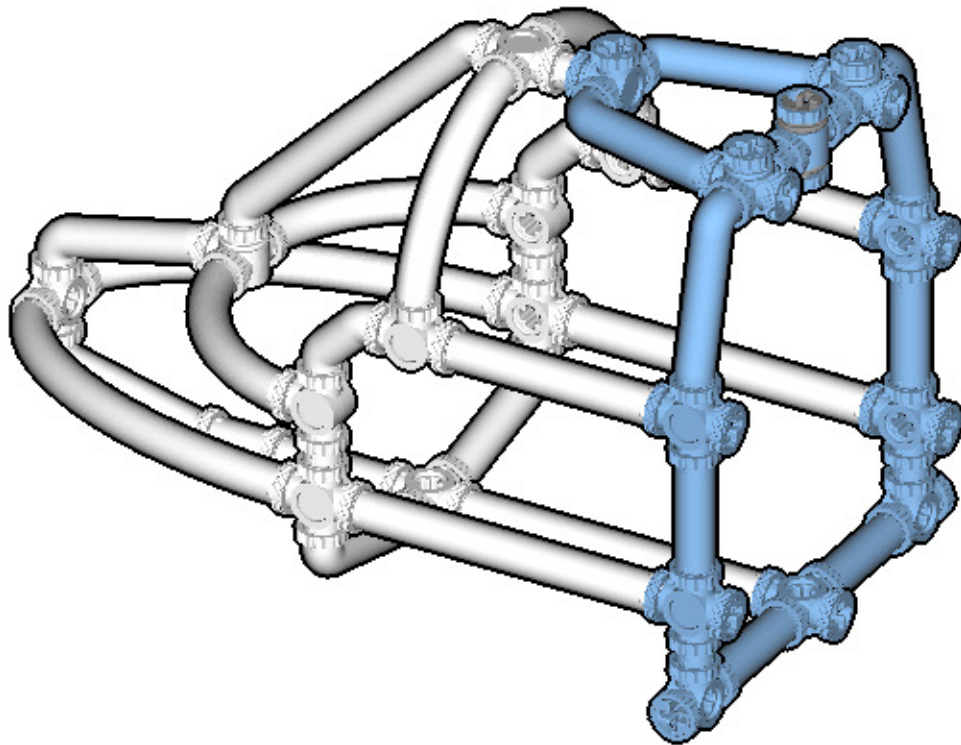
**15**



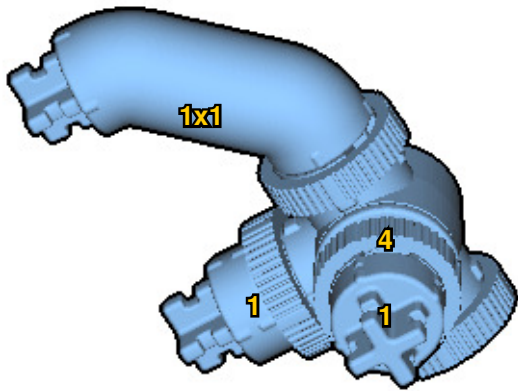
**16**



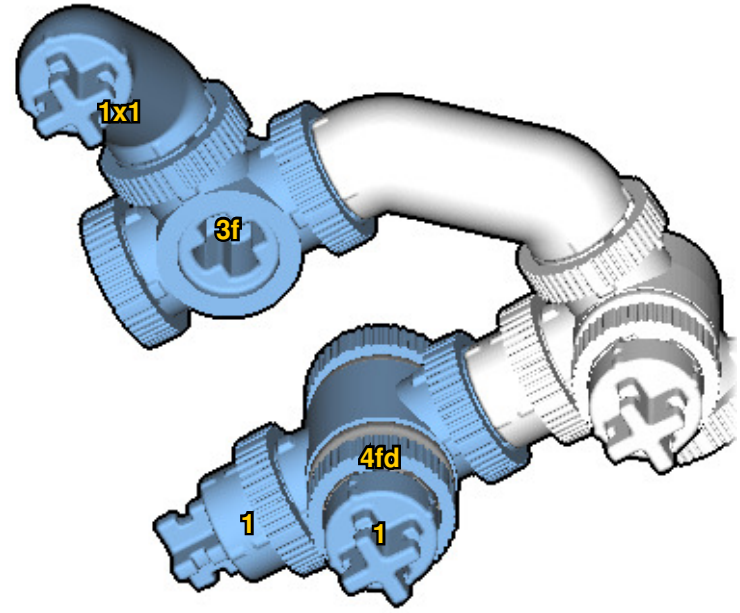
**17**



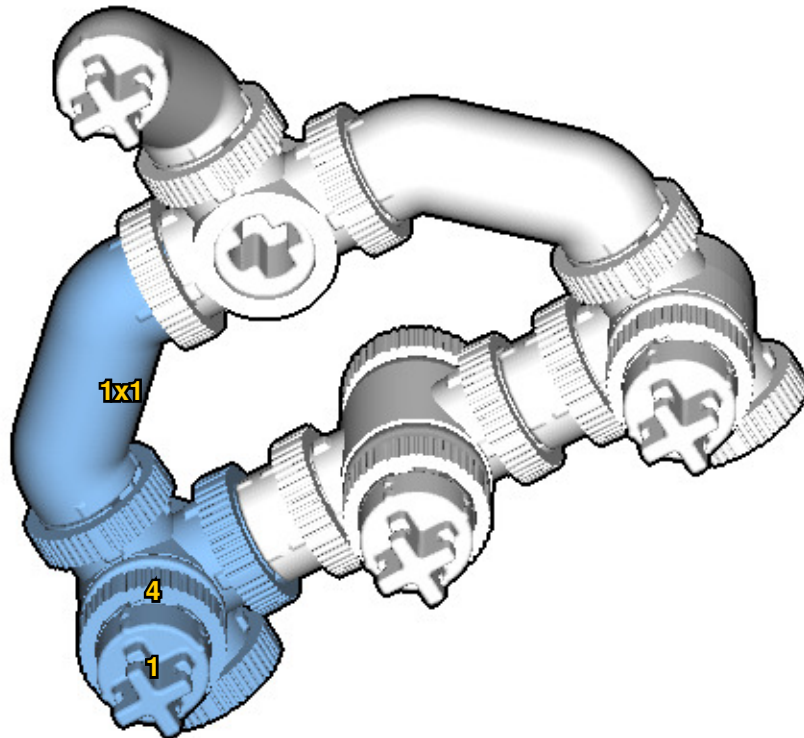
18



19

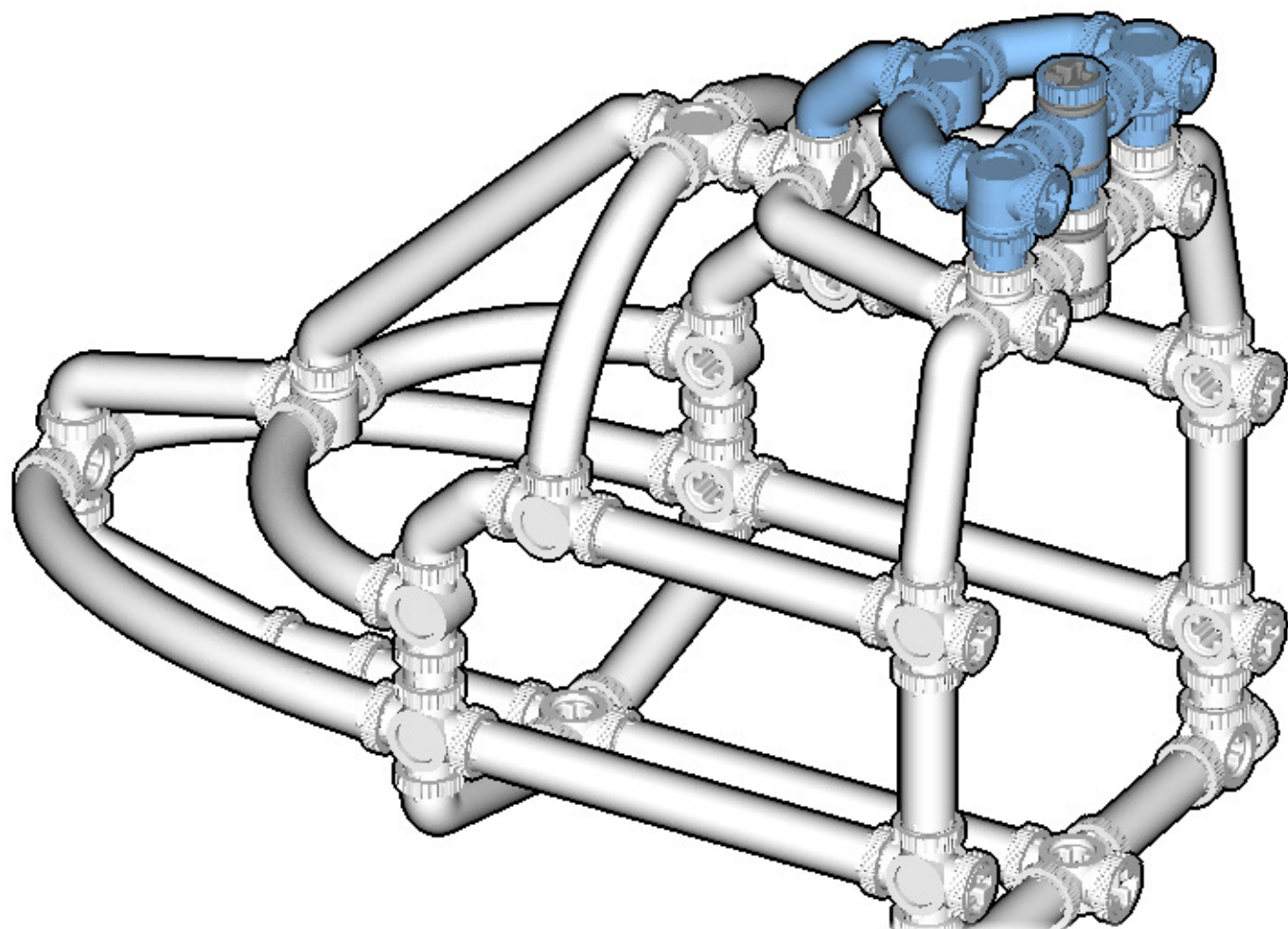


20

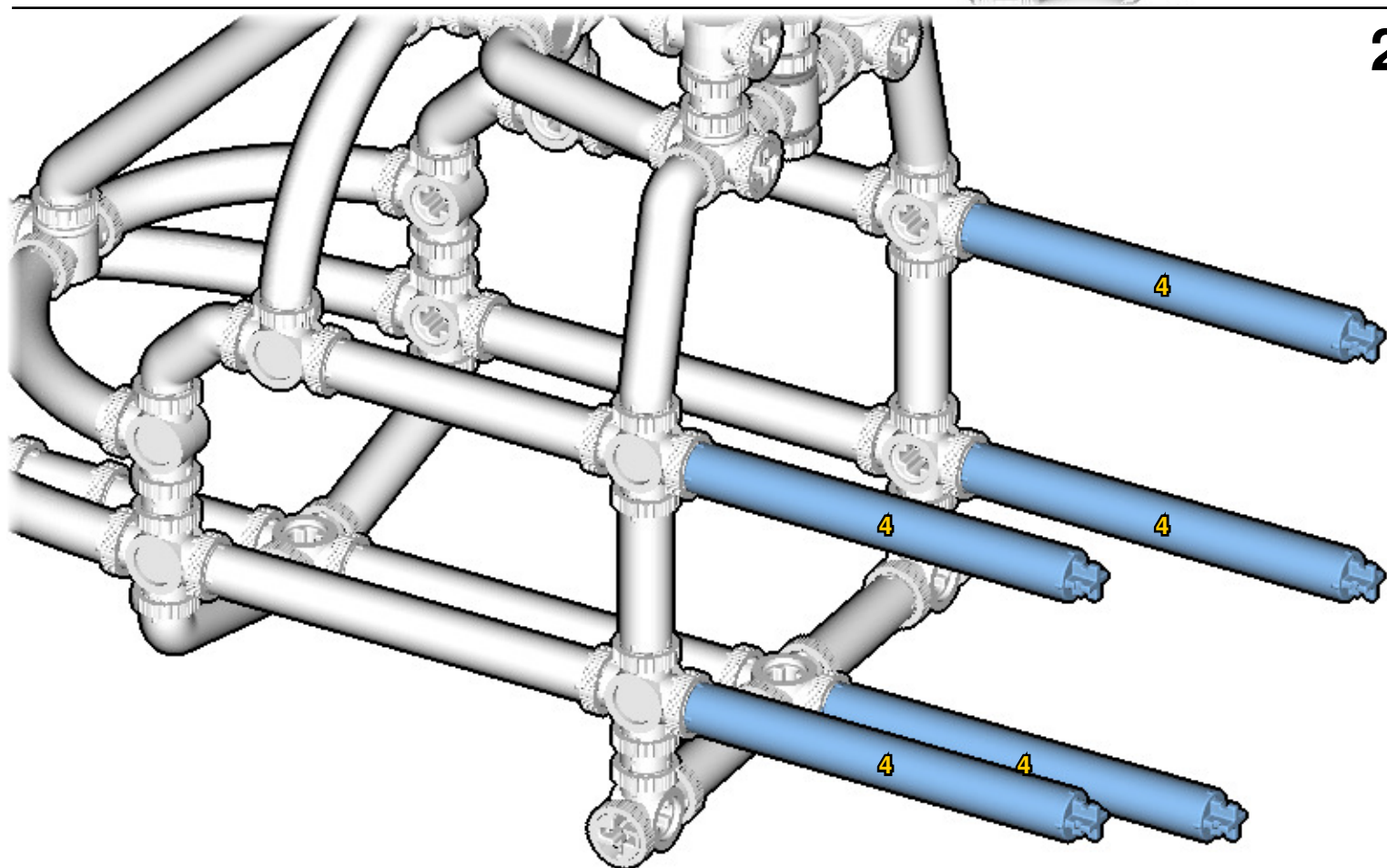


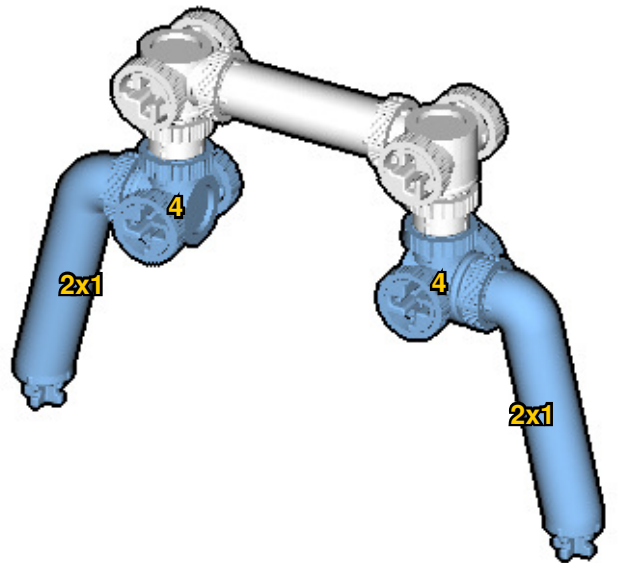
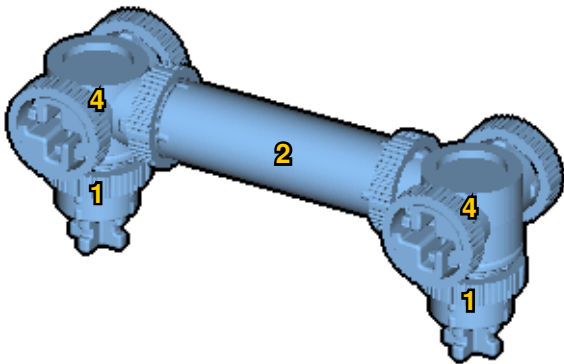
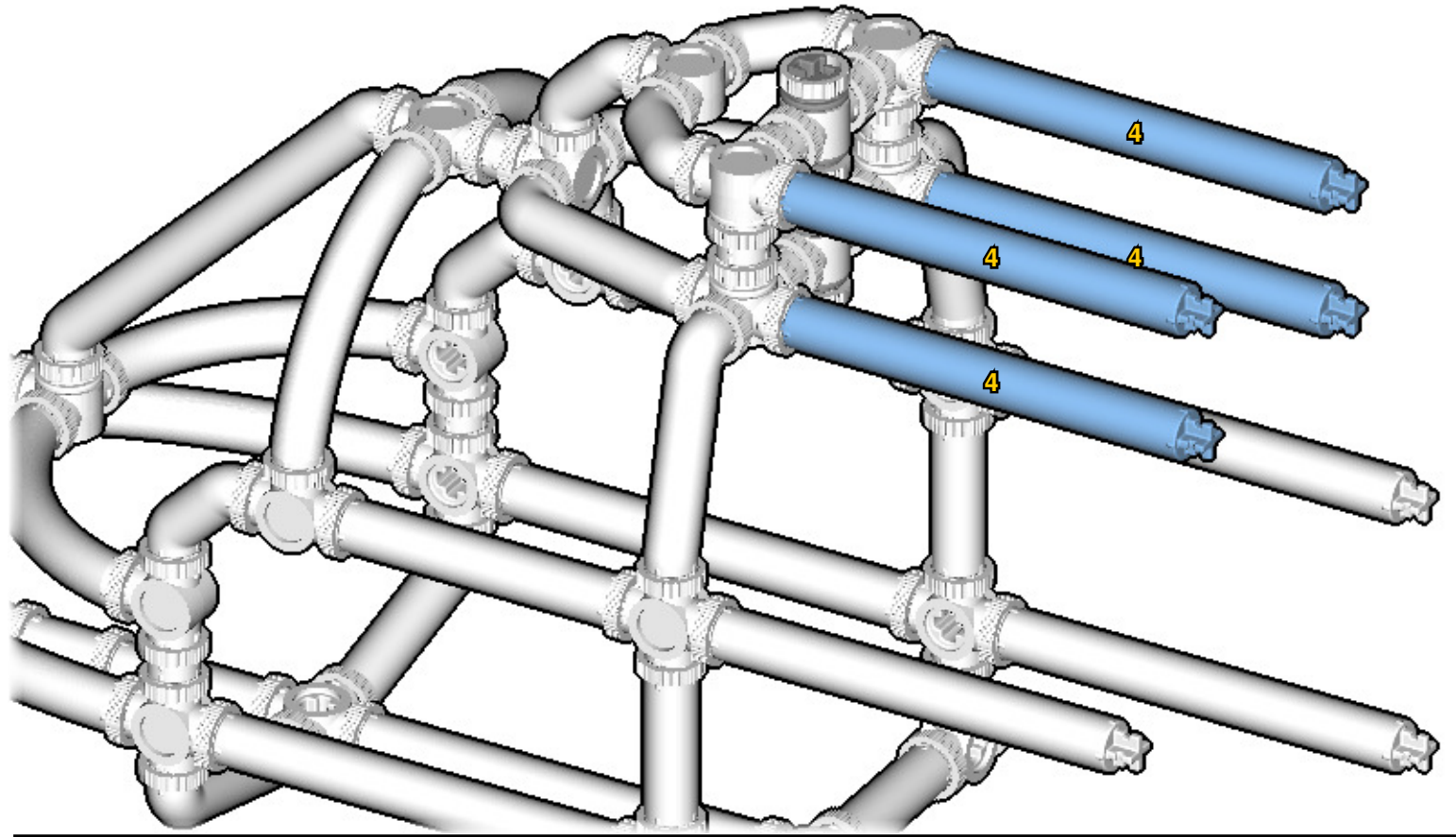


21

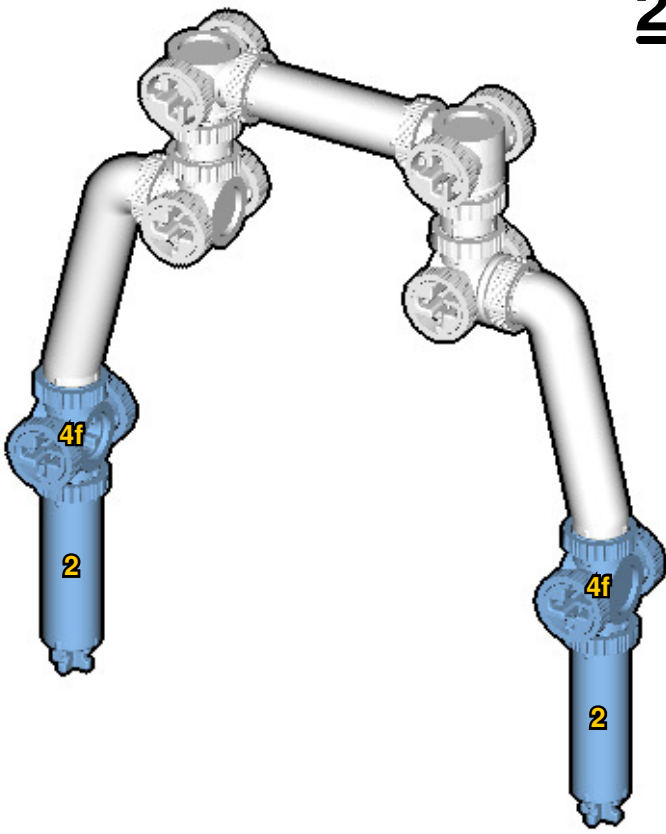


22

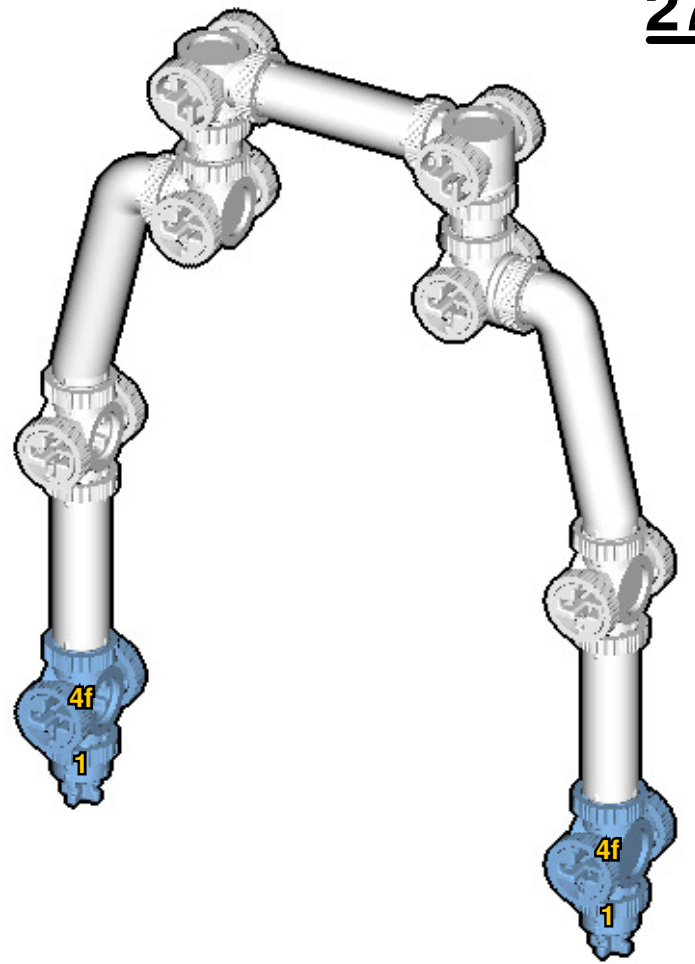




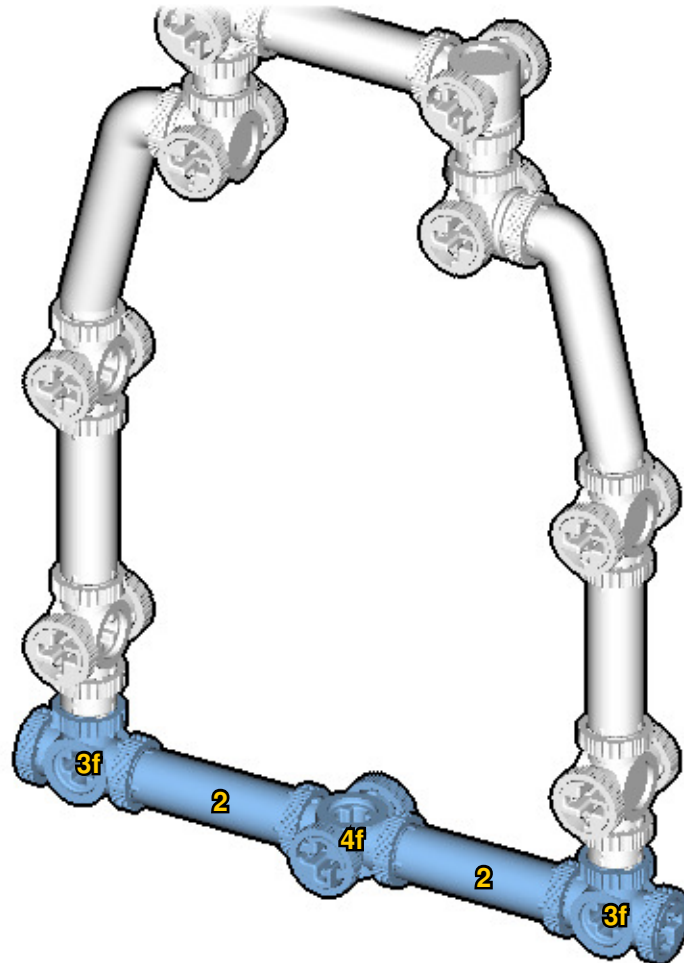
26

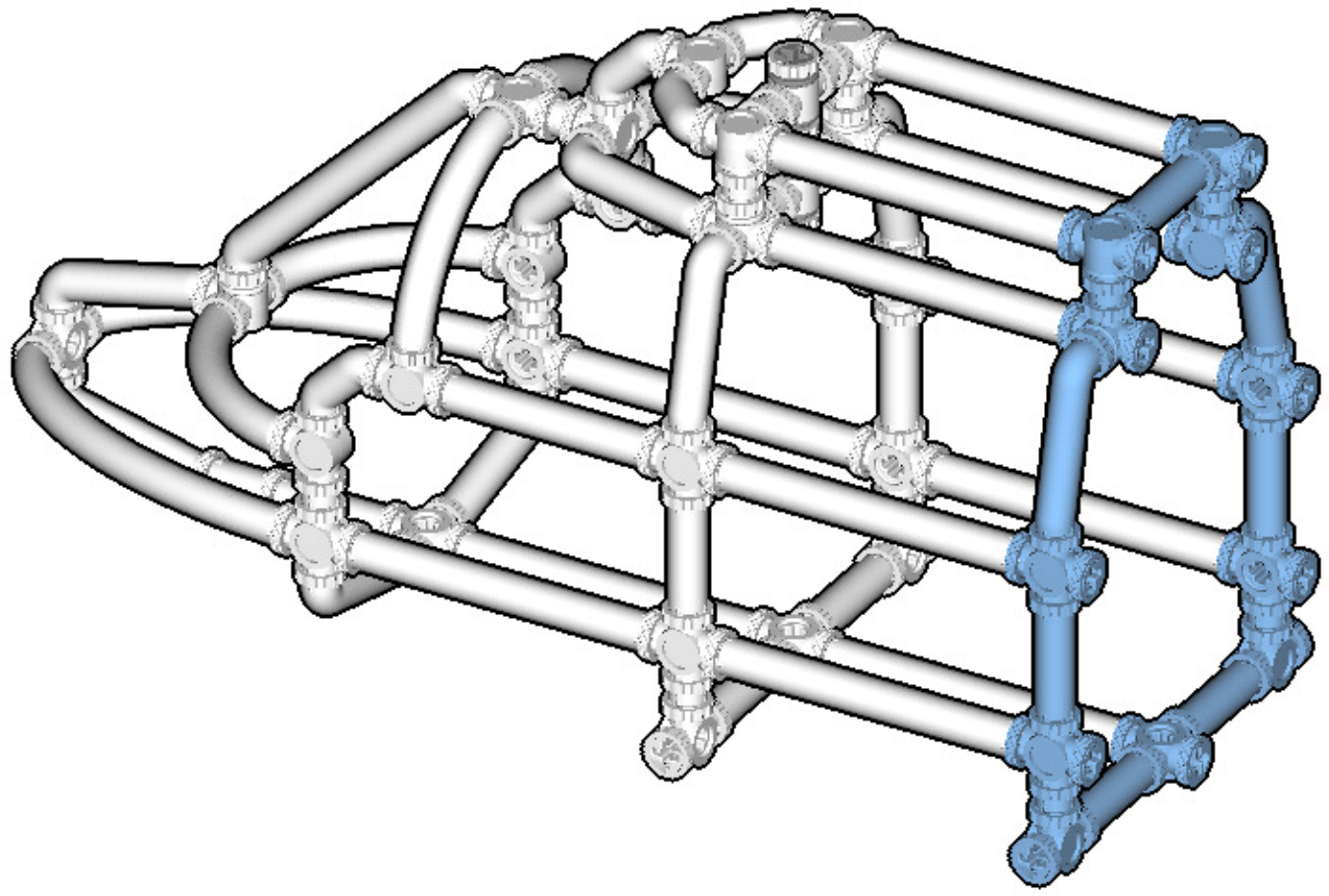


27

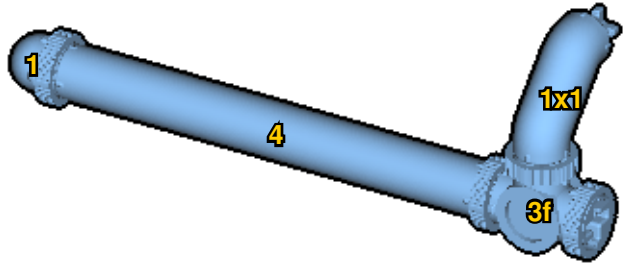


28

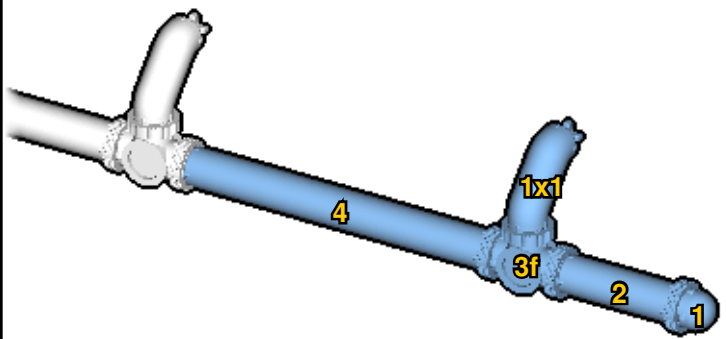


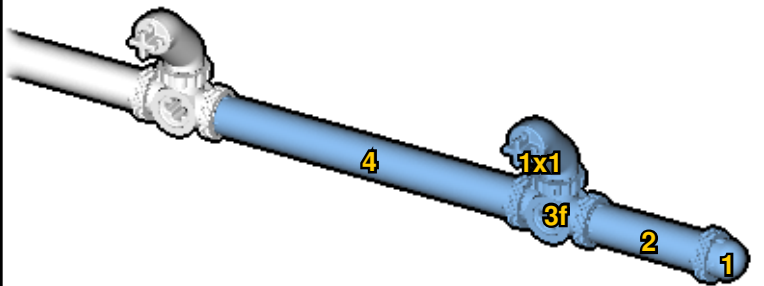
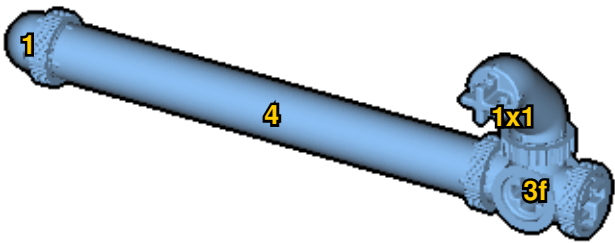
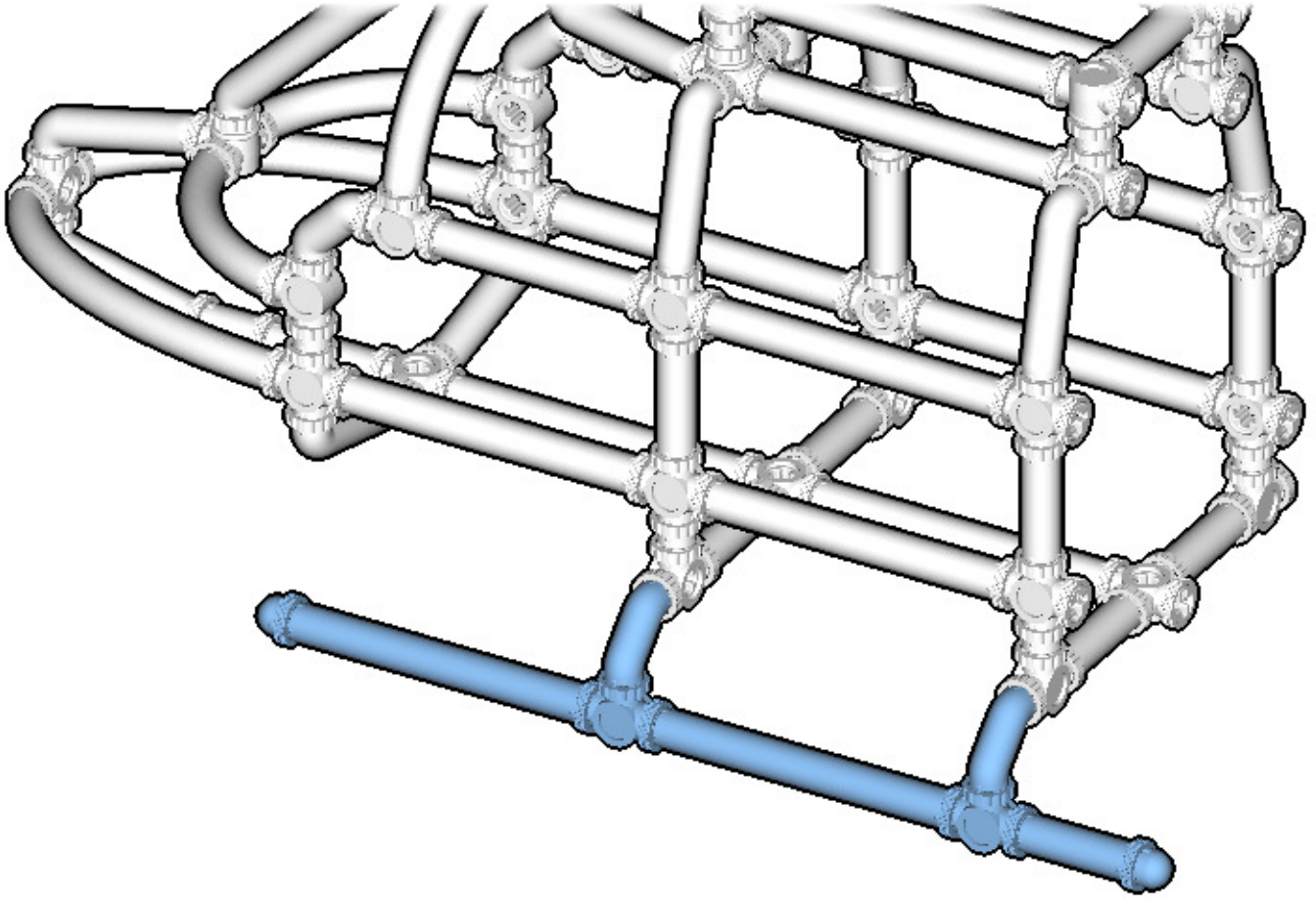


30

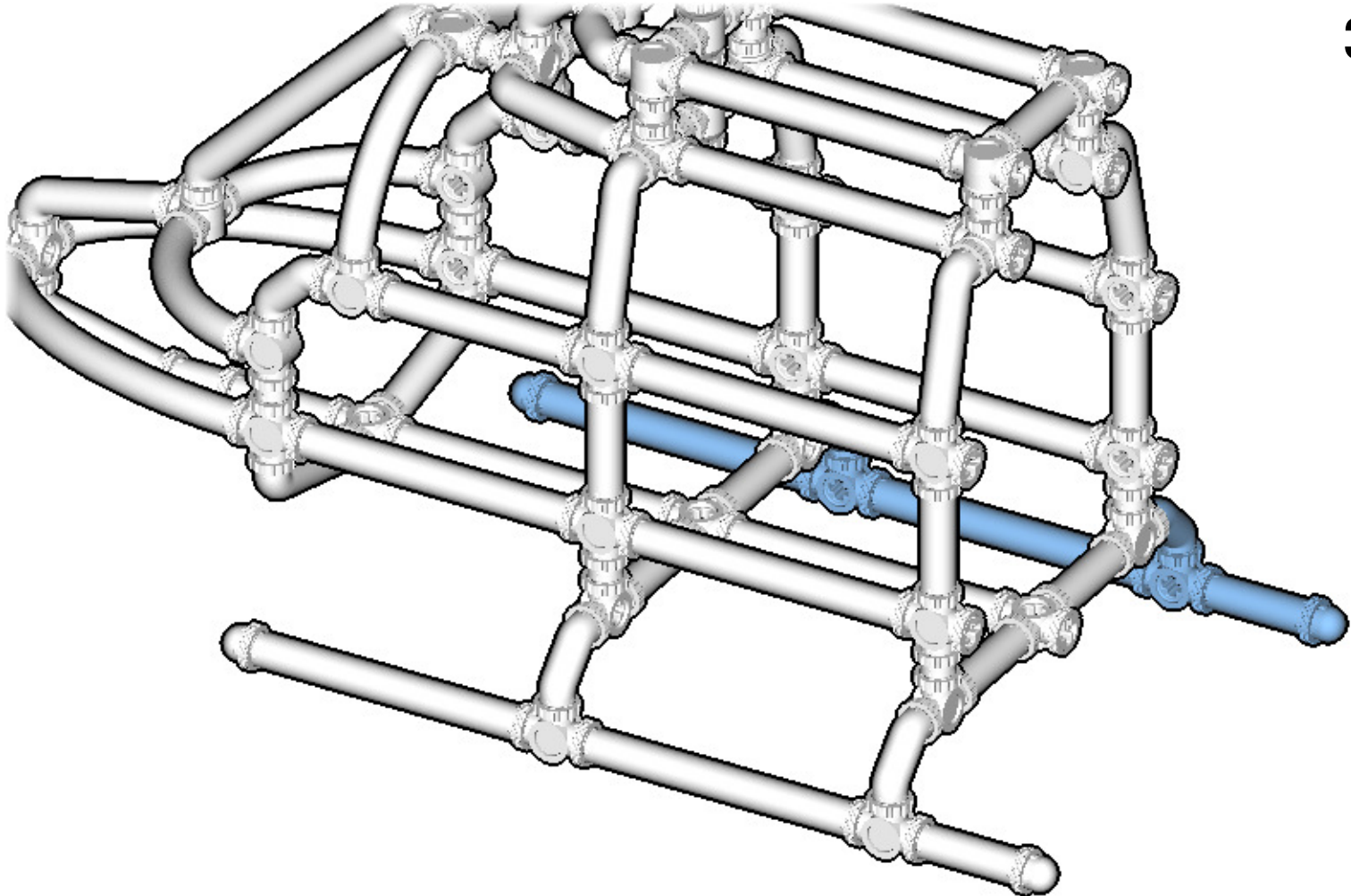


31

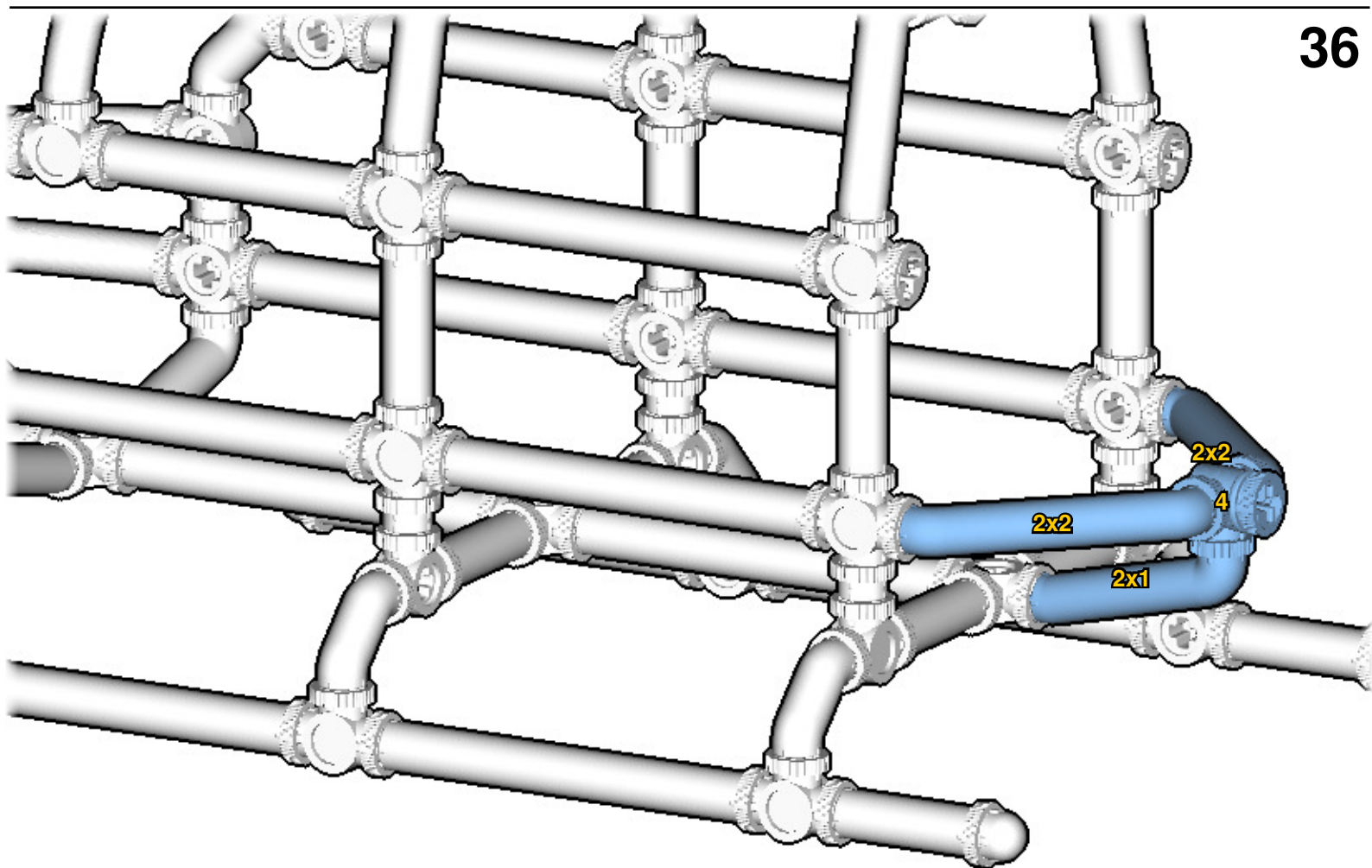




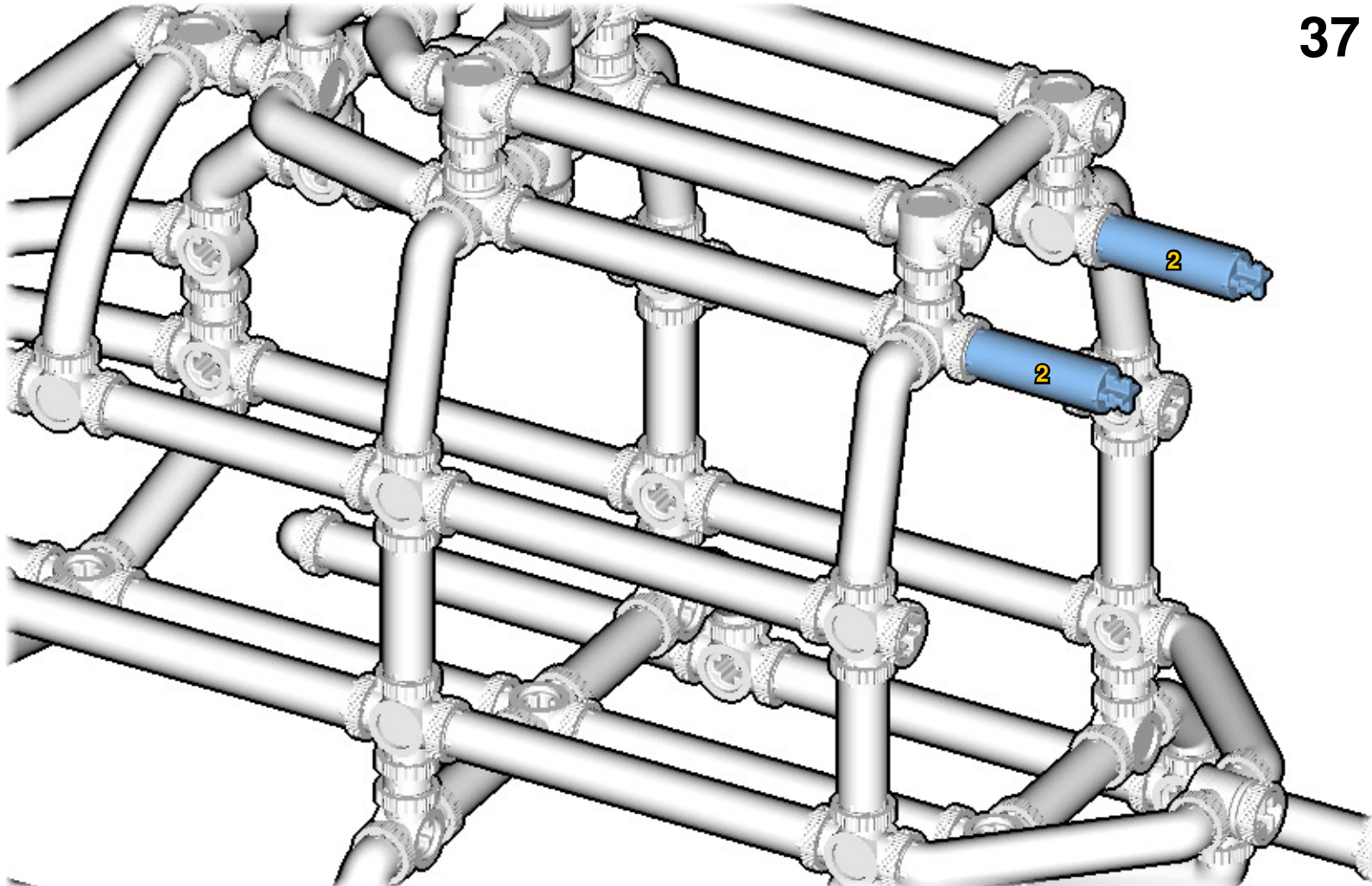
35



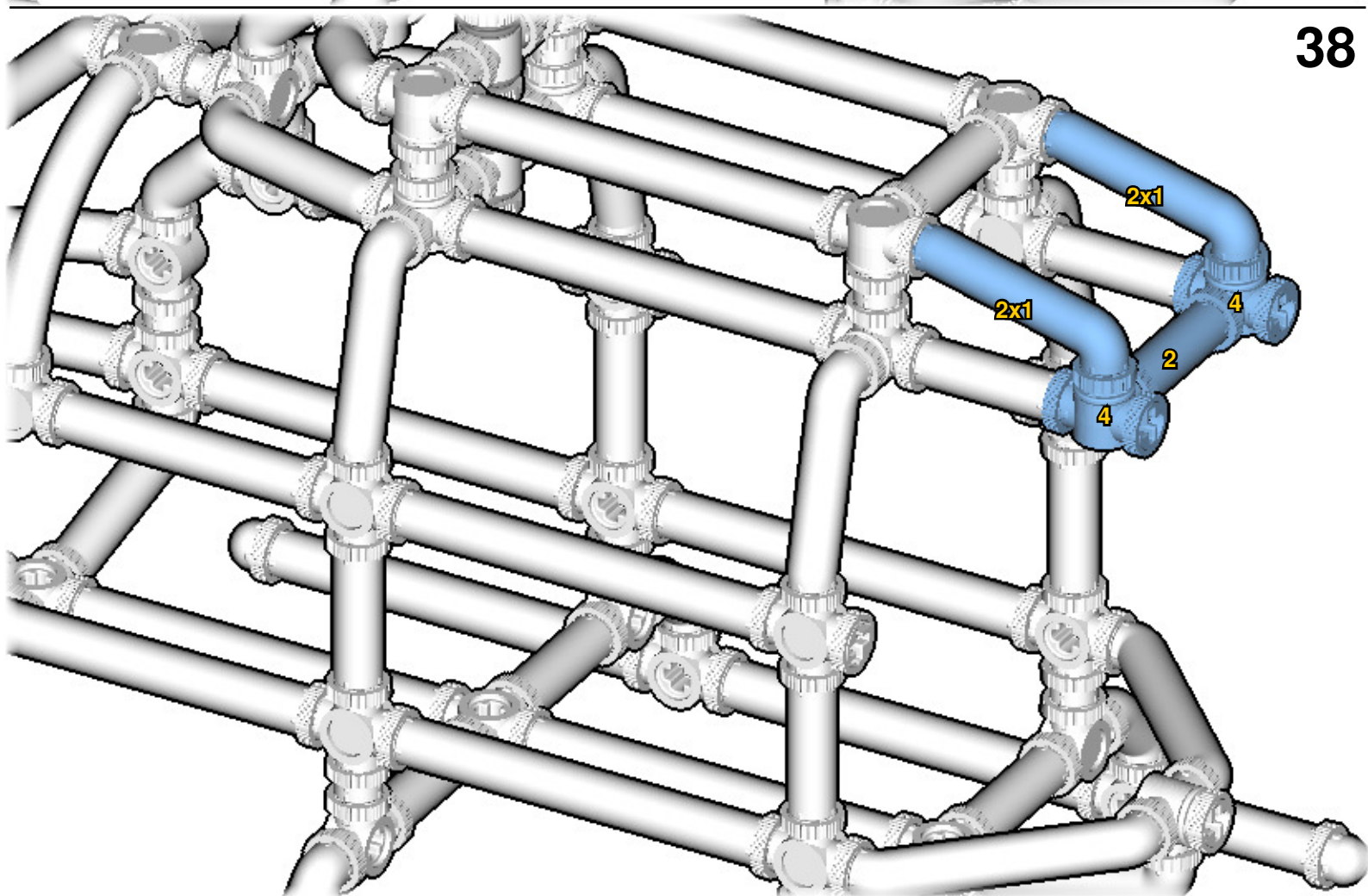
36



37



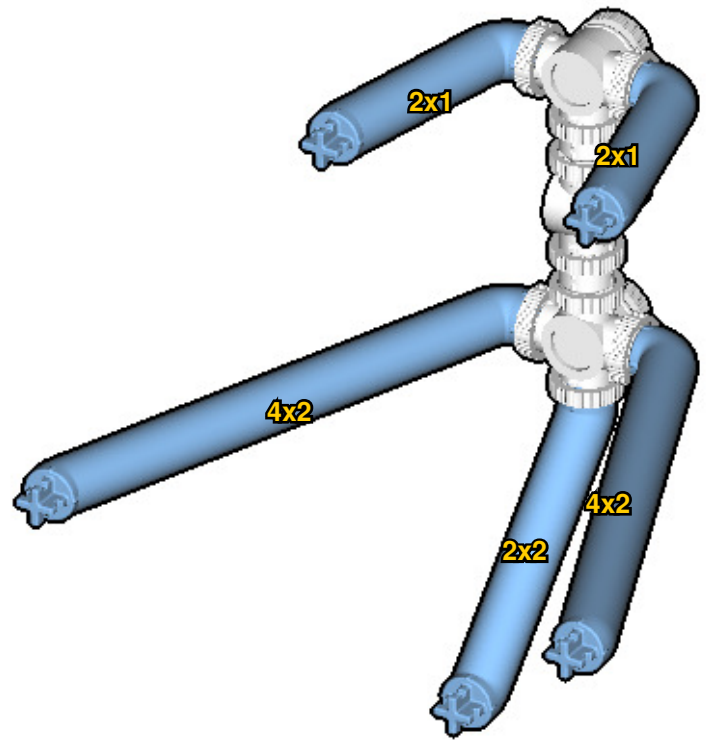
38



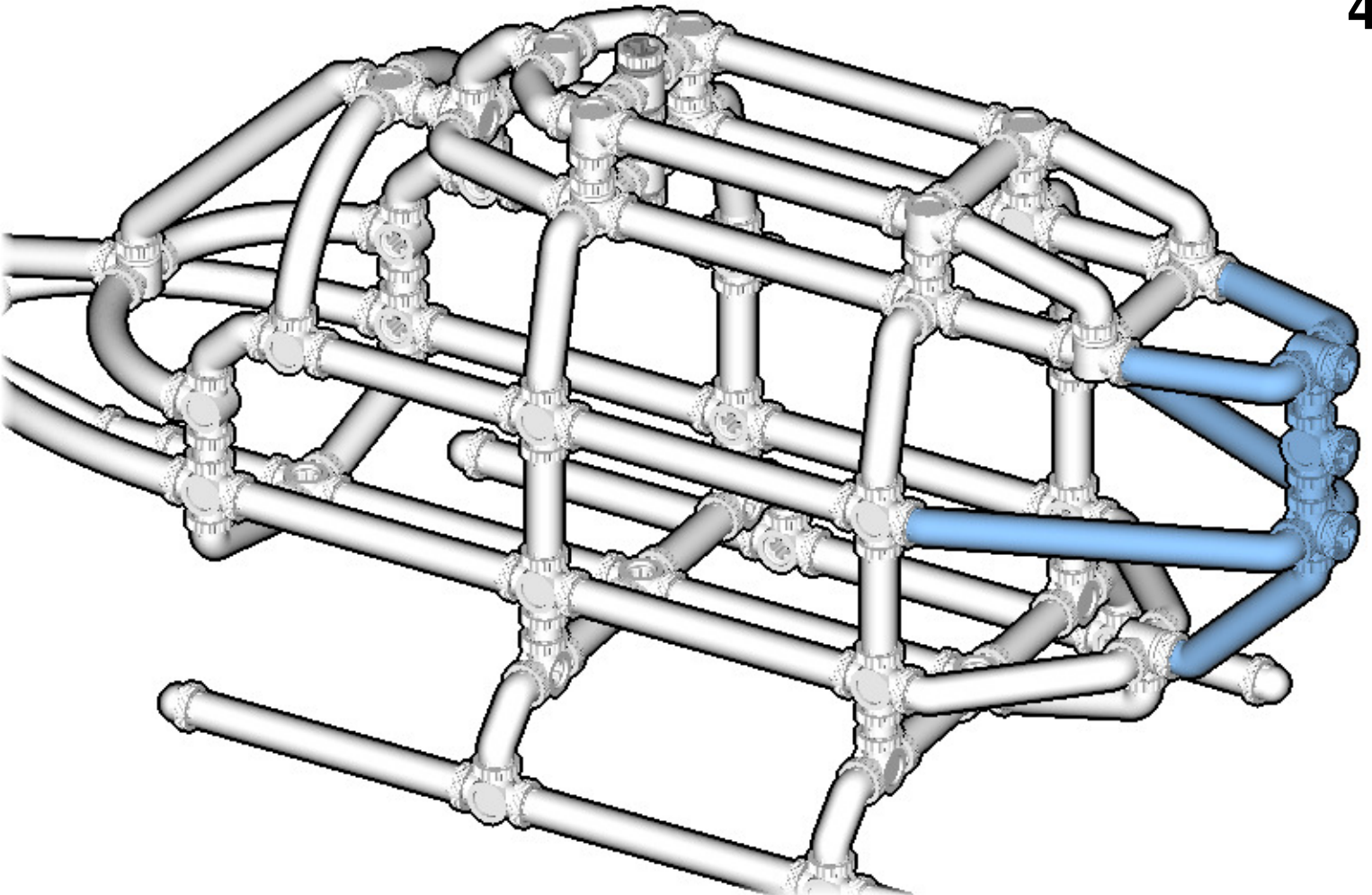
**39**



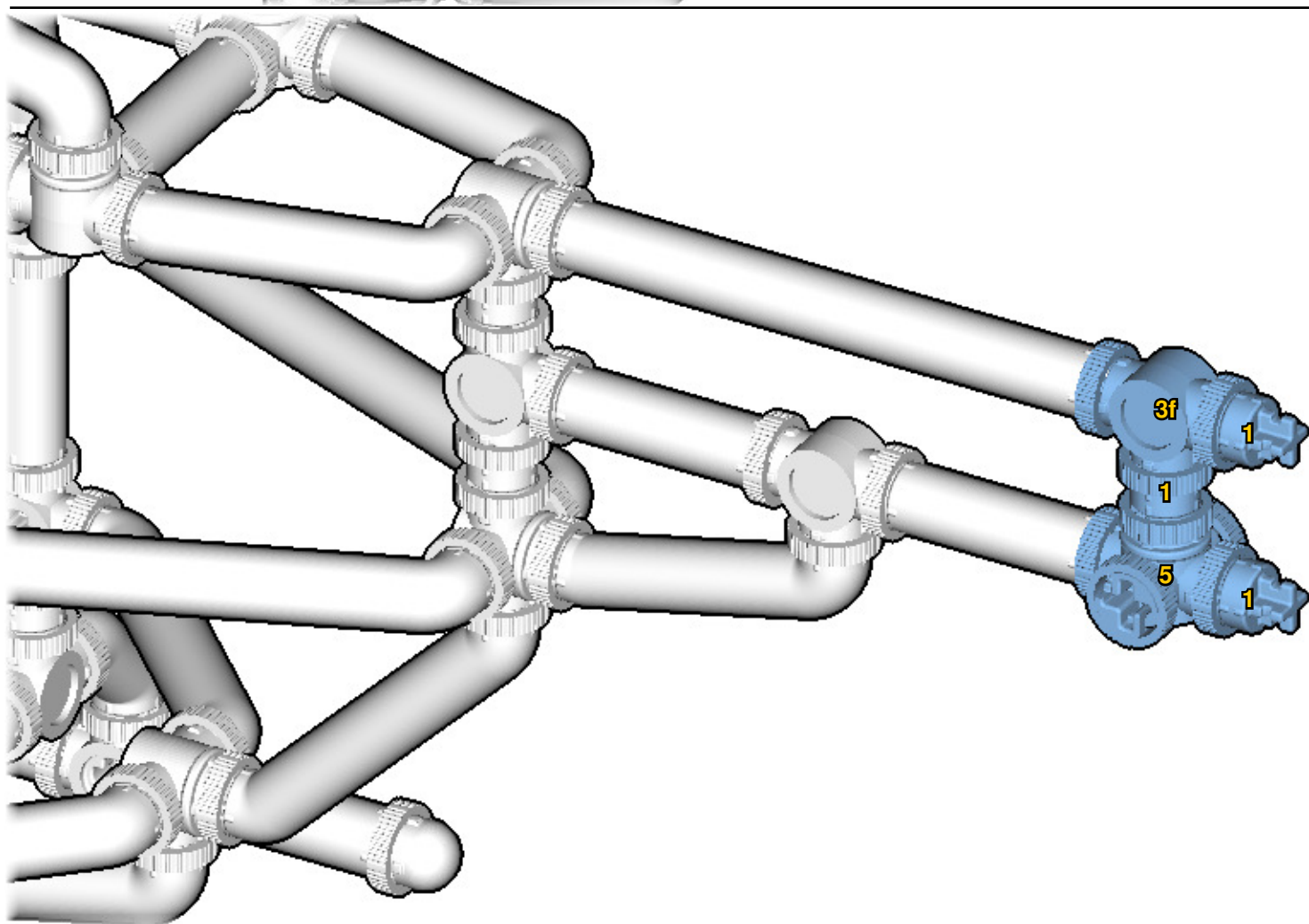
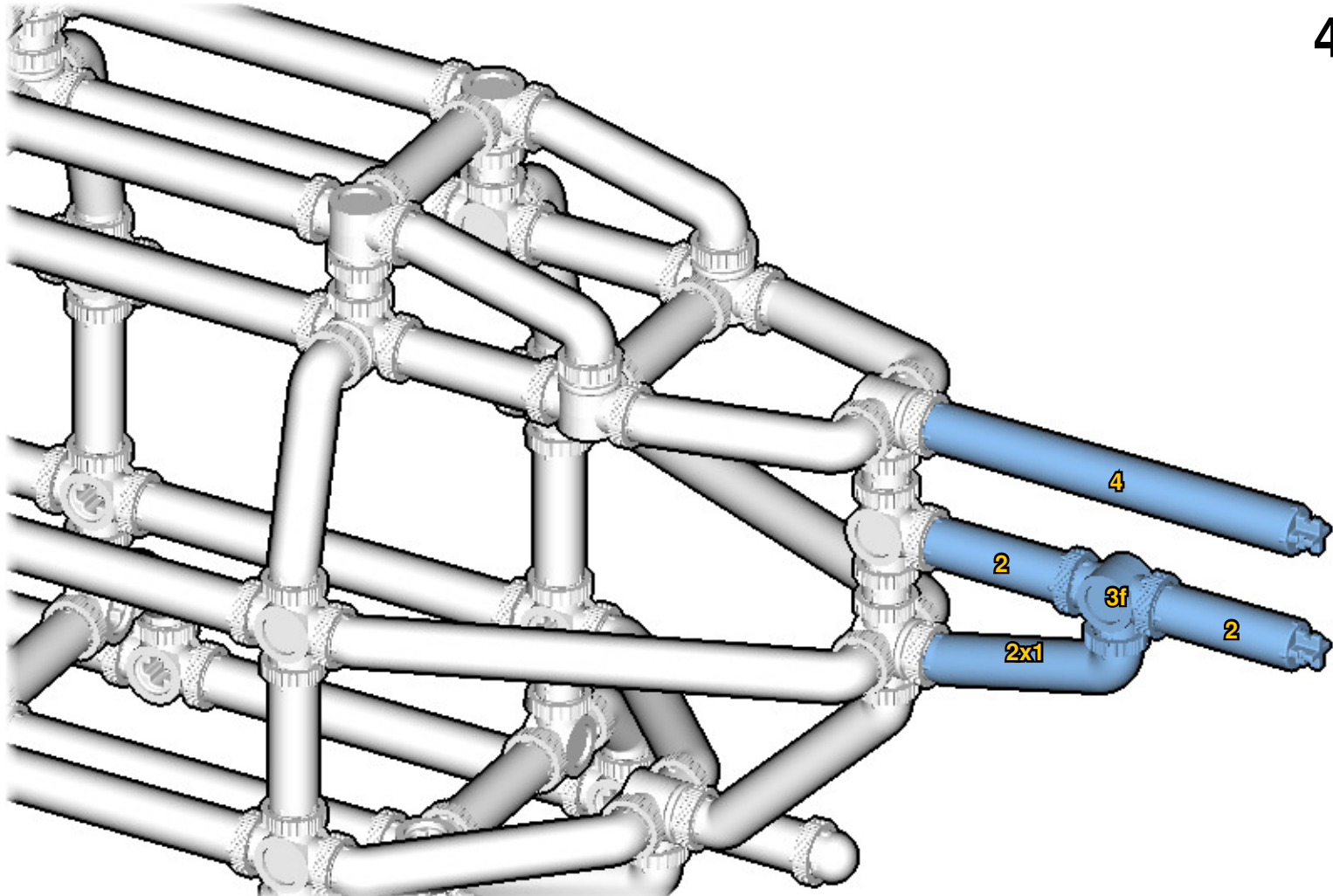
**40**

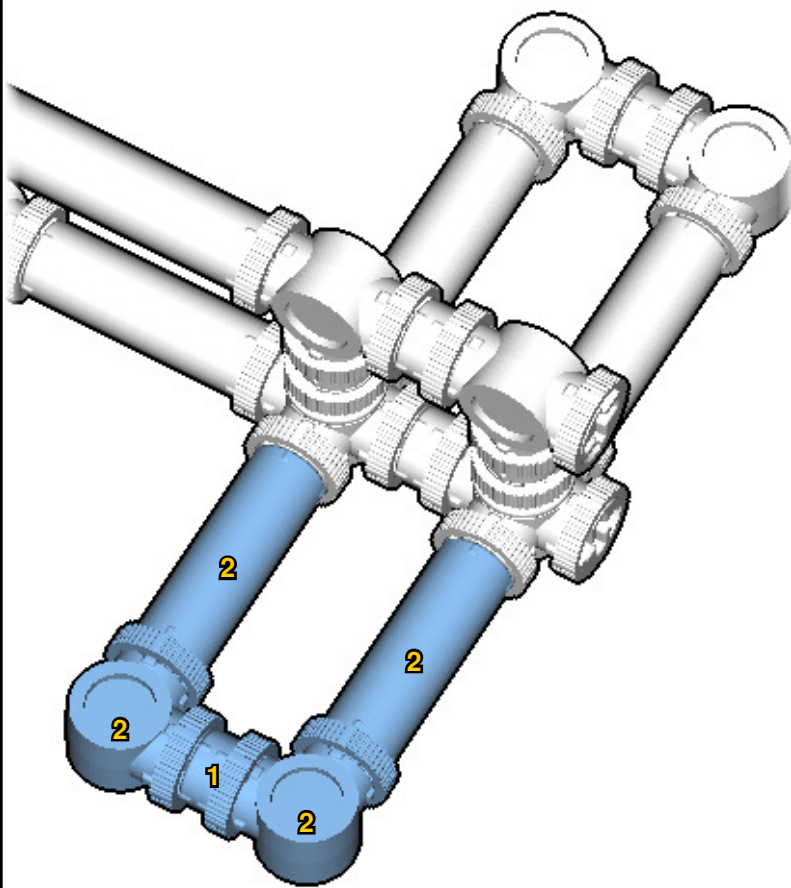
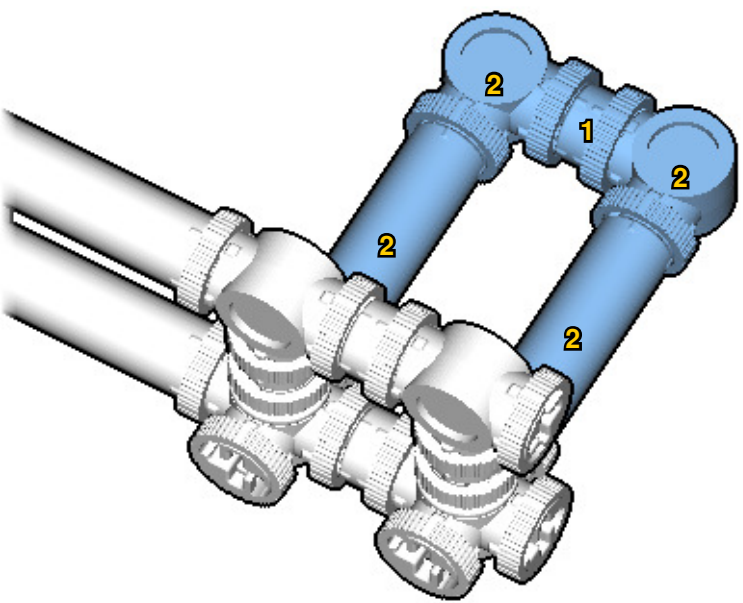
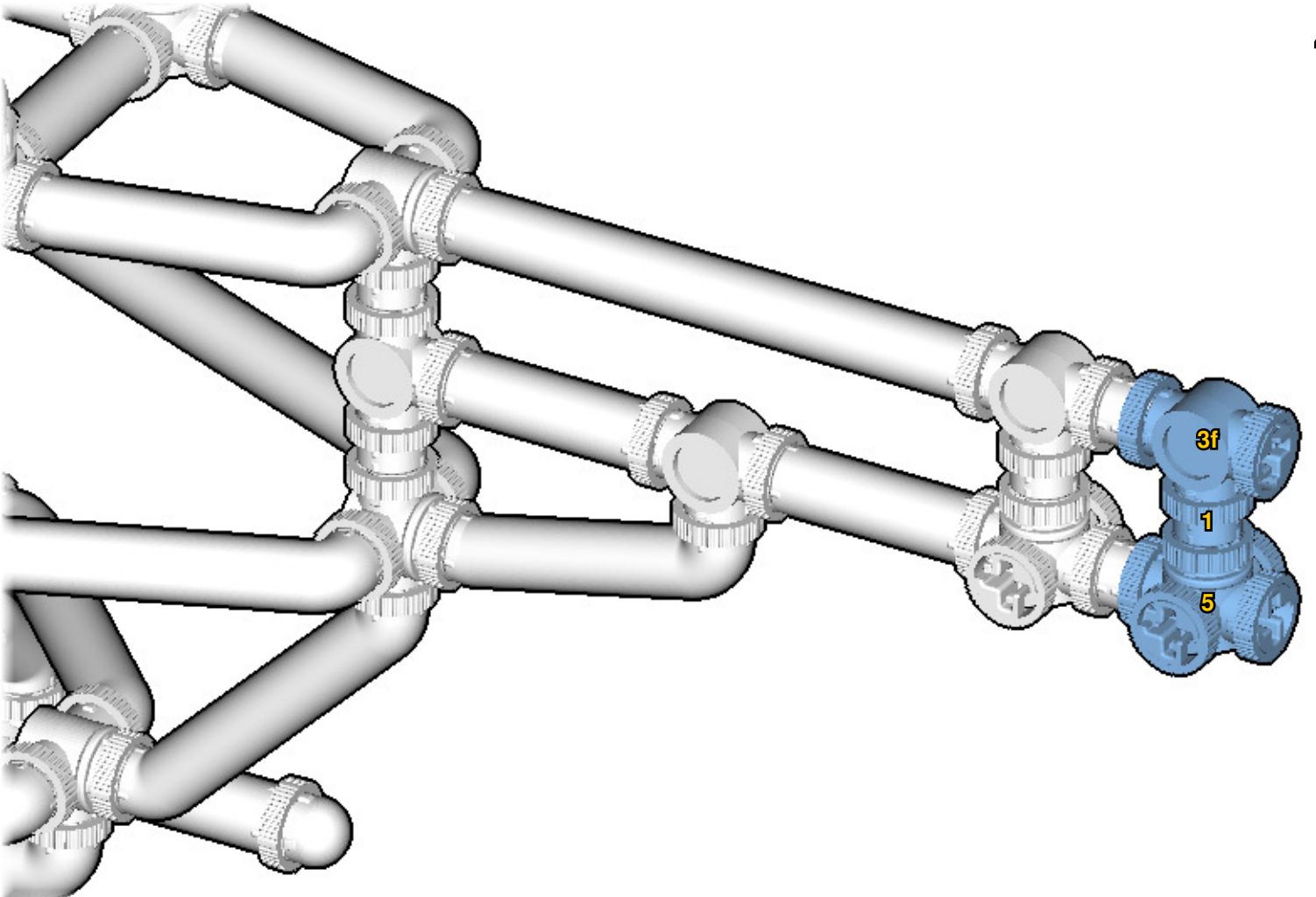


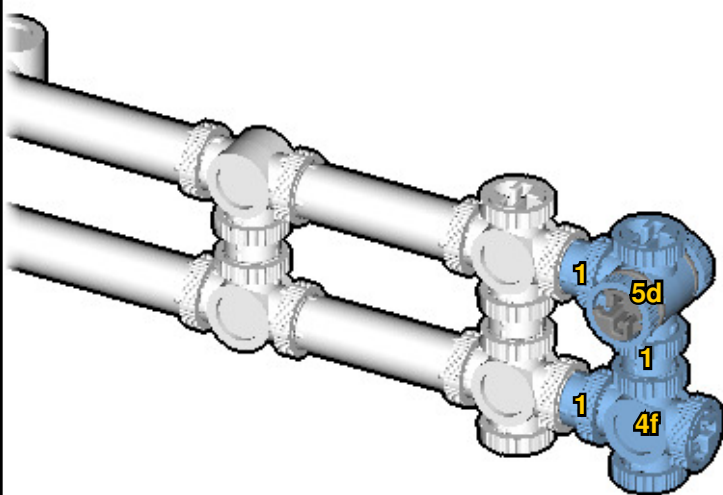
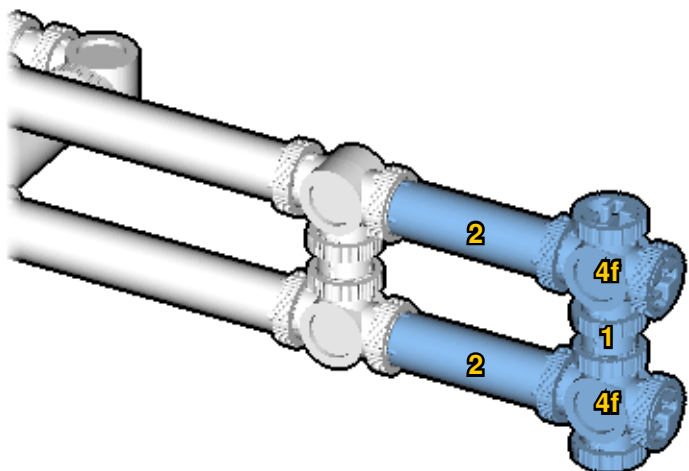
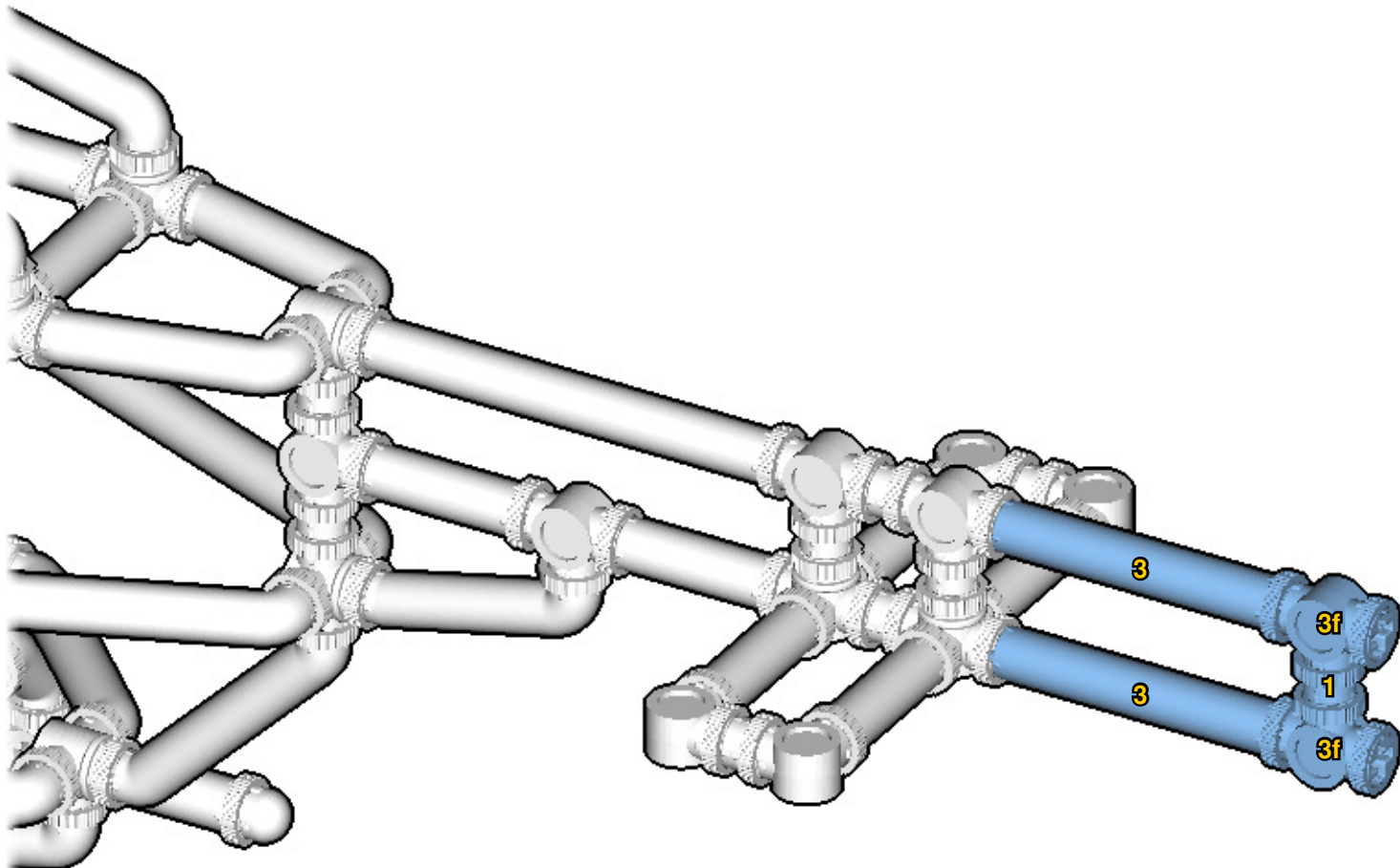
**41**



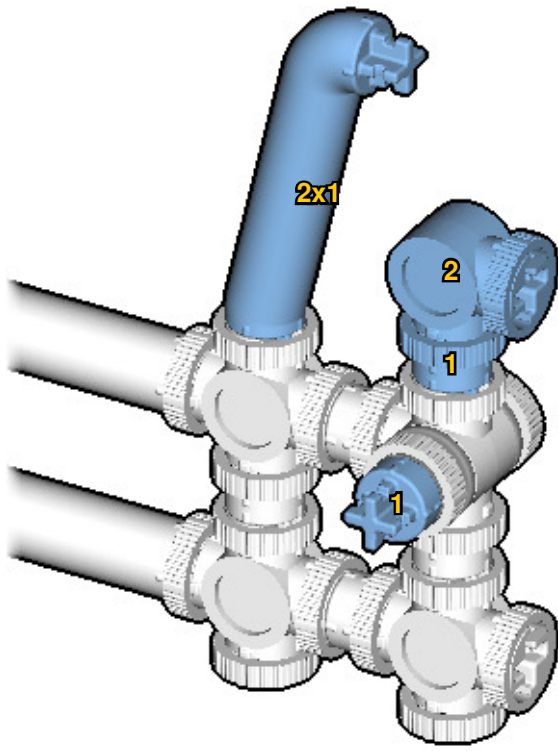




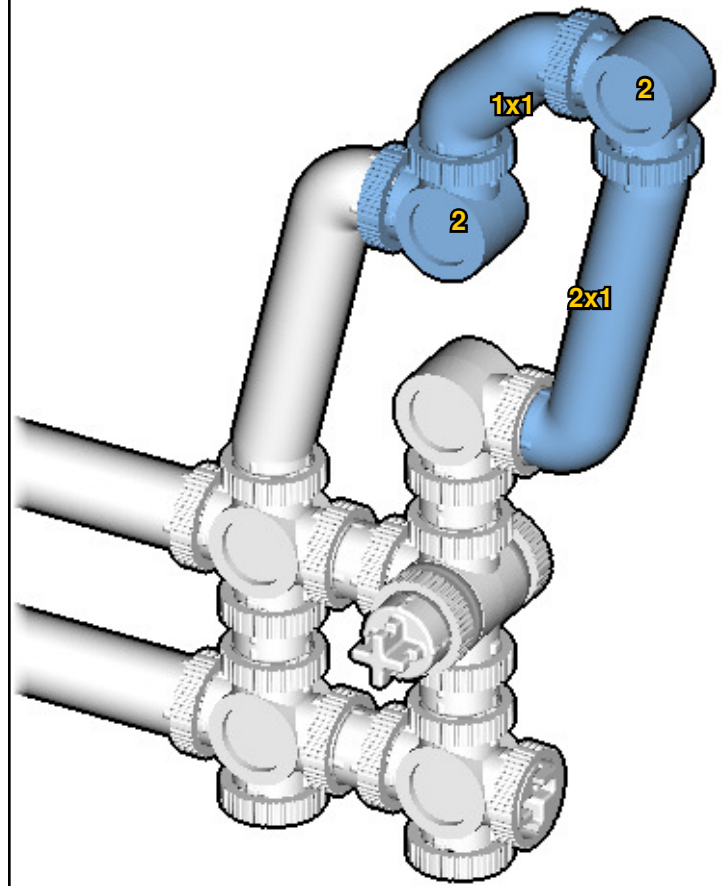




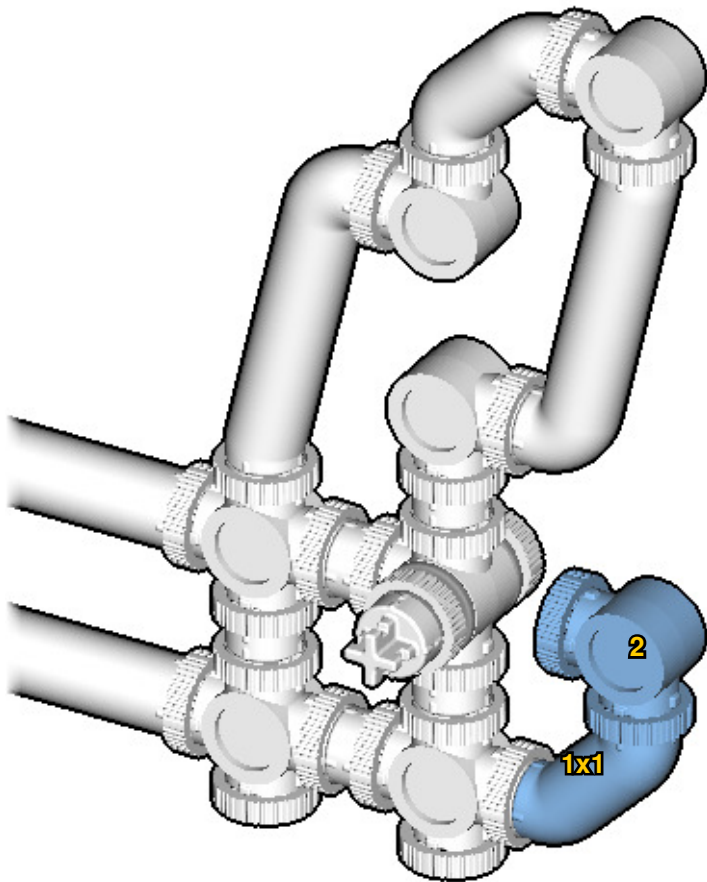
50



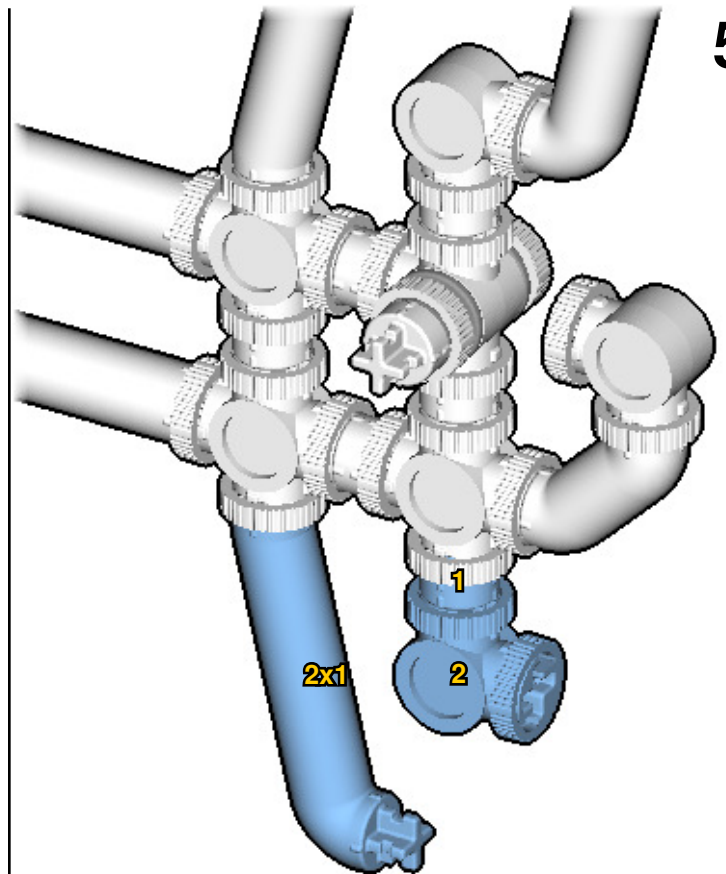
51

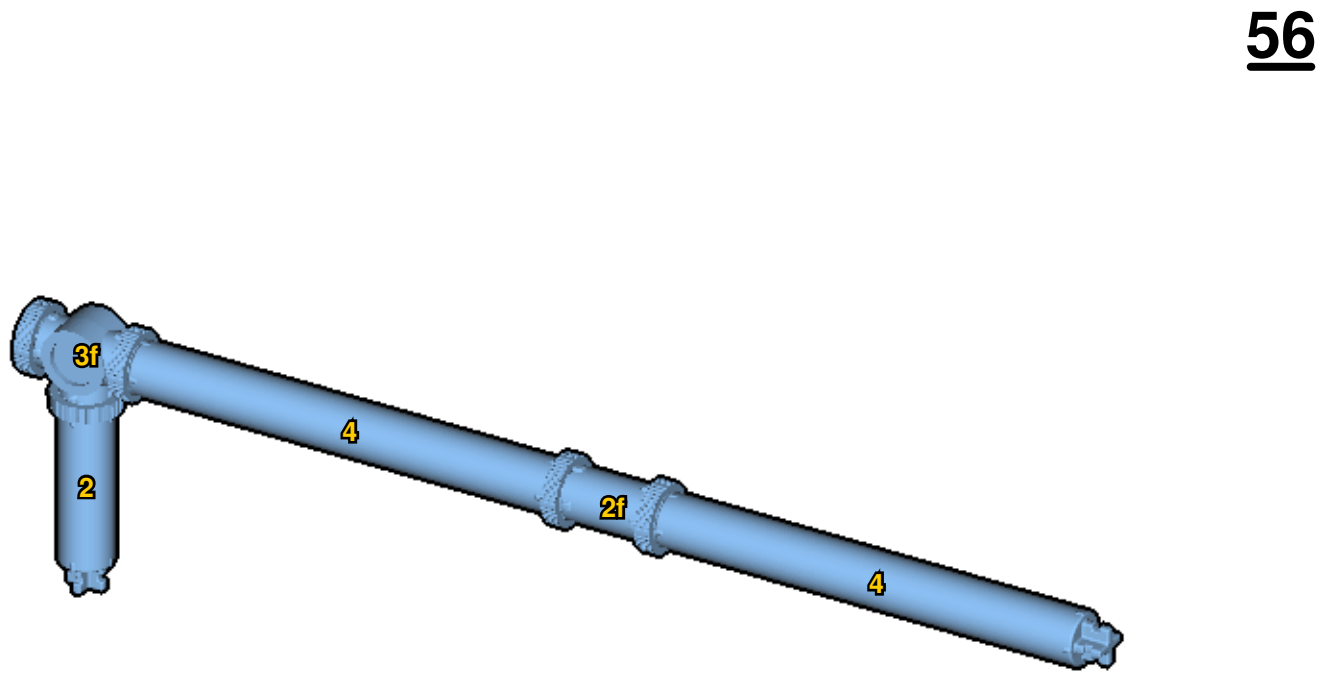
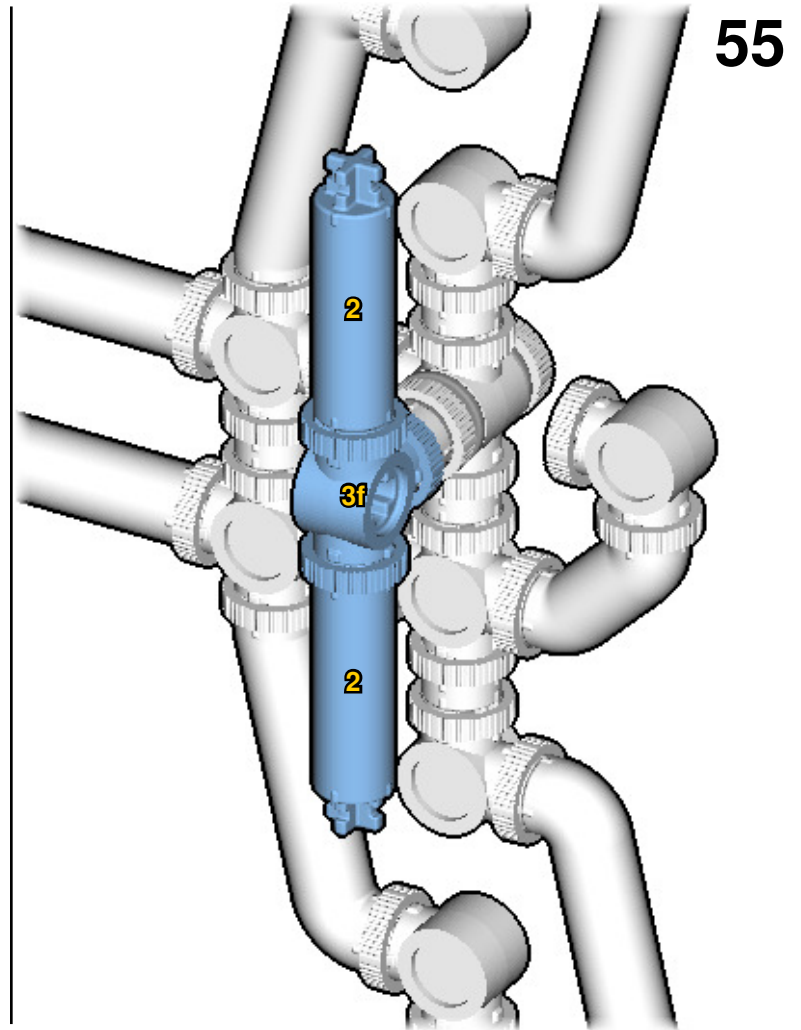
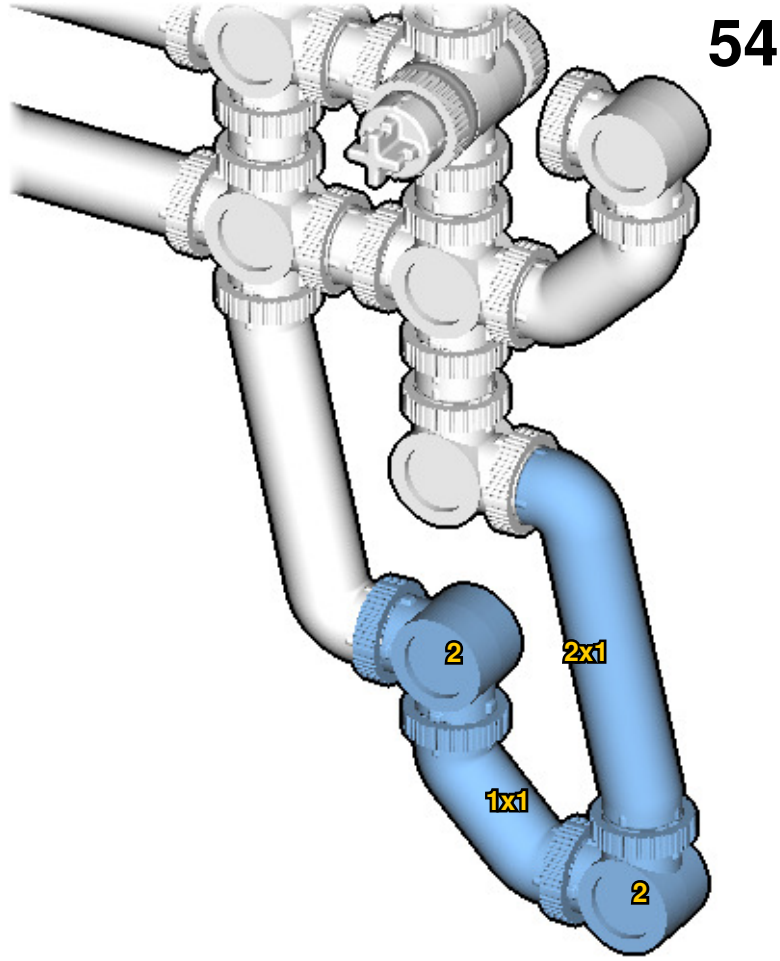


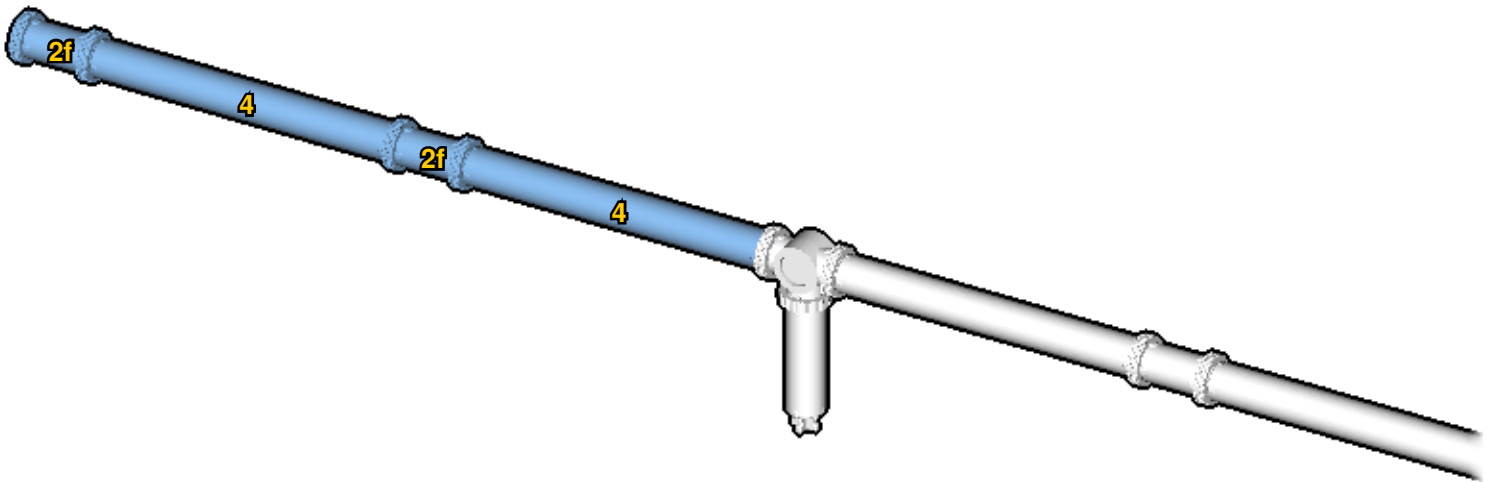
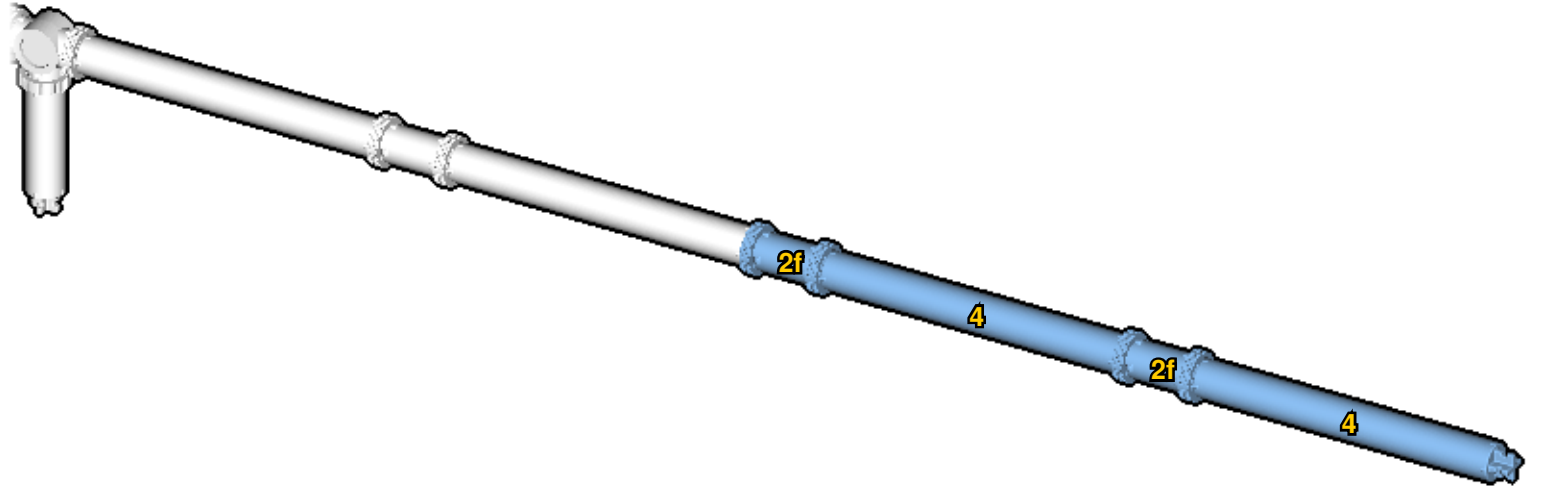
52

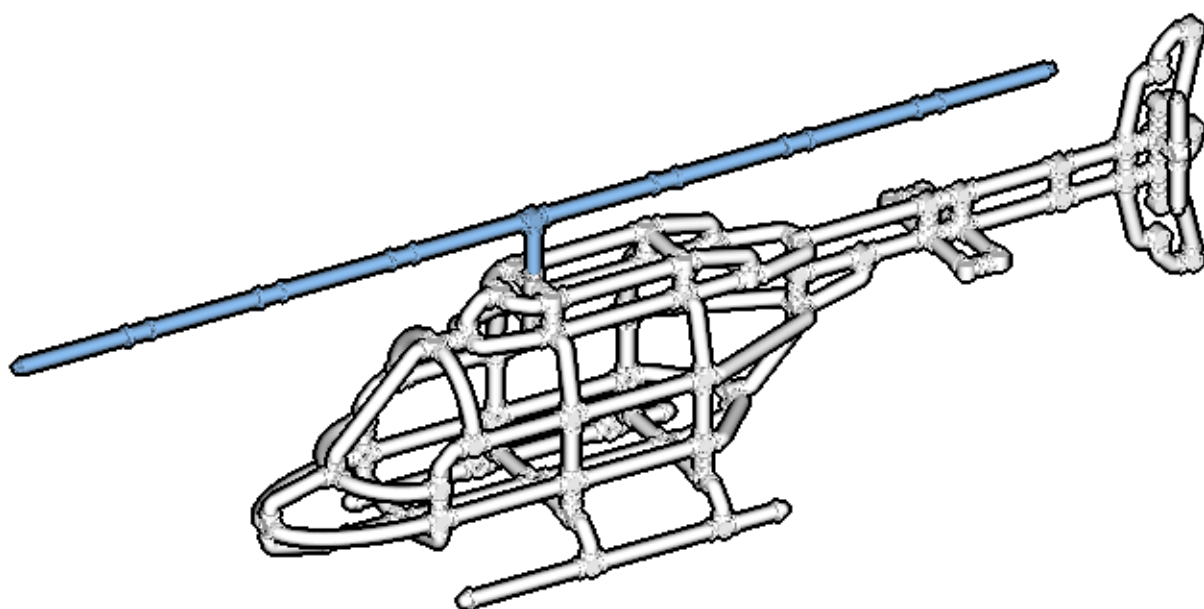
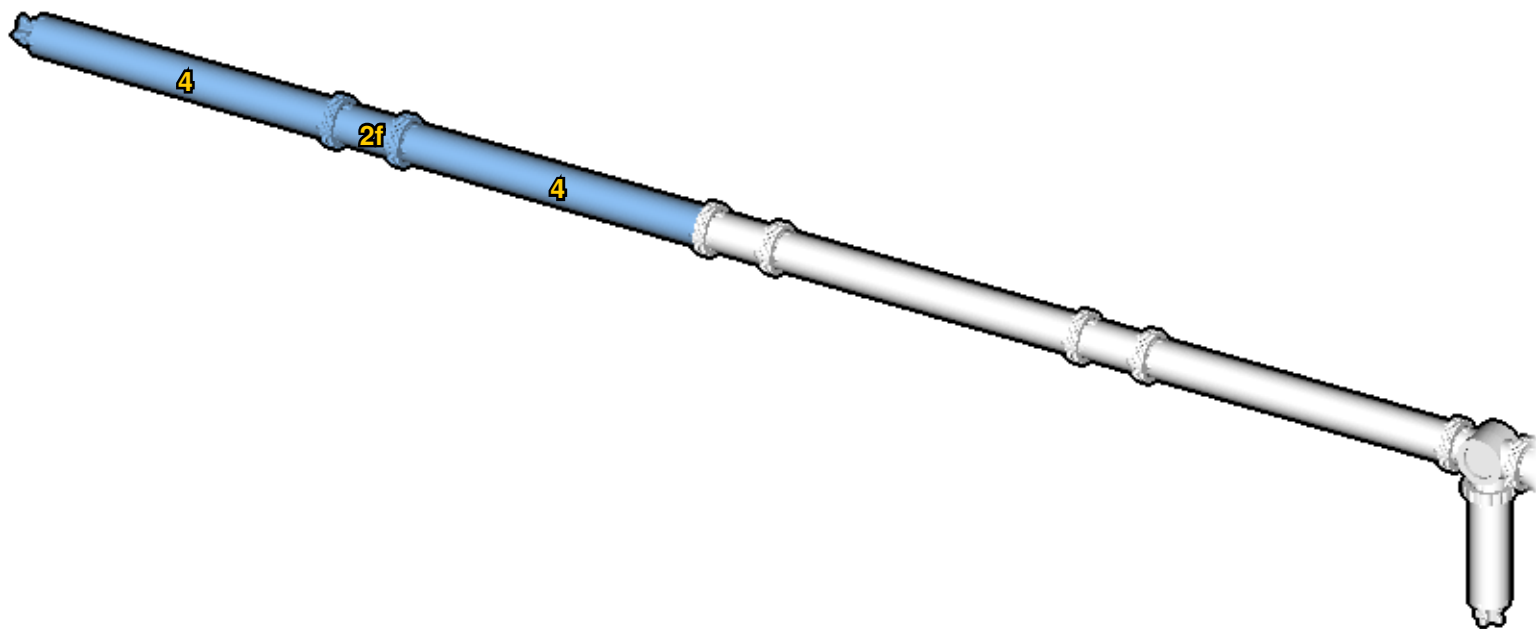


53

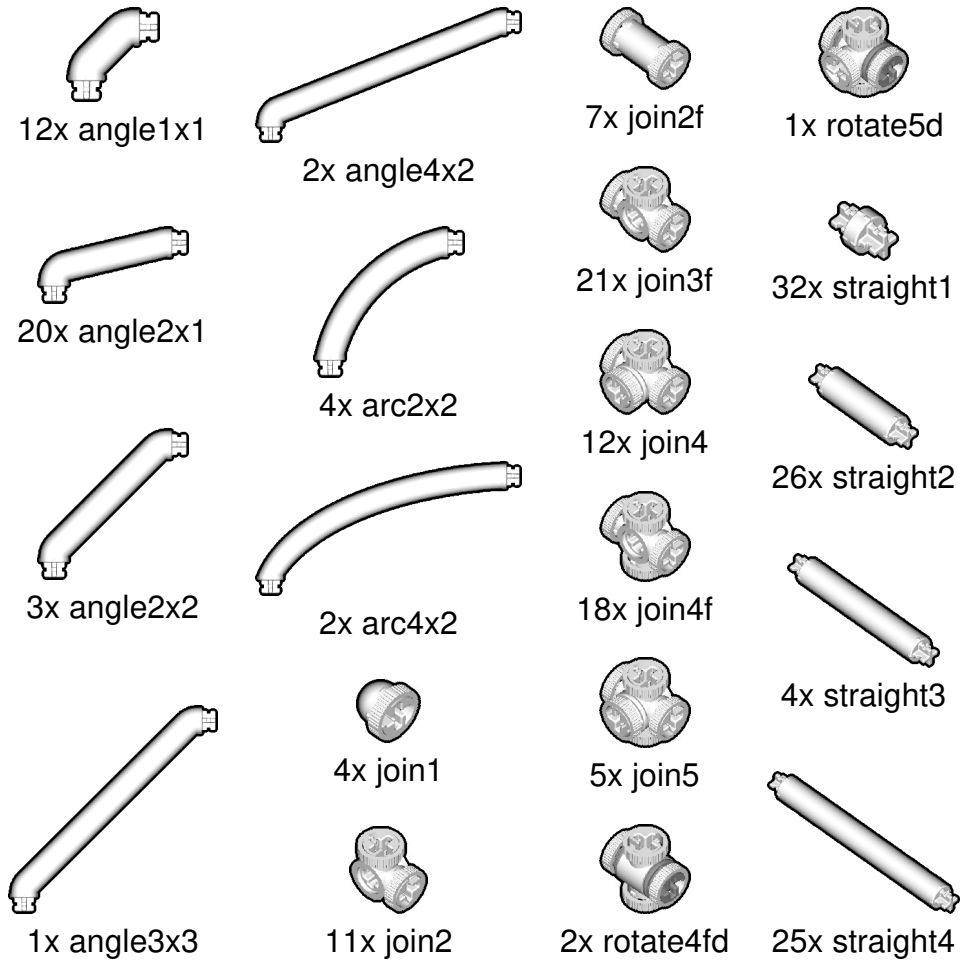








# INVENTORY



# ACTUAL SIZE

